

PARTS CATALOG

FRONT LOADER

PD MF 283-4 A 290-4 ADV S-0702

Code: 0501091401



Series: S-0702

Review: JULHO/02

ORIGINAL PARTS
TATU

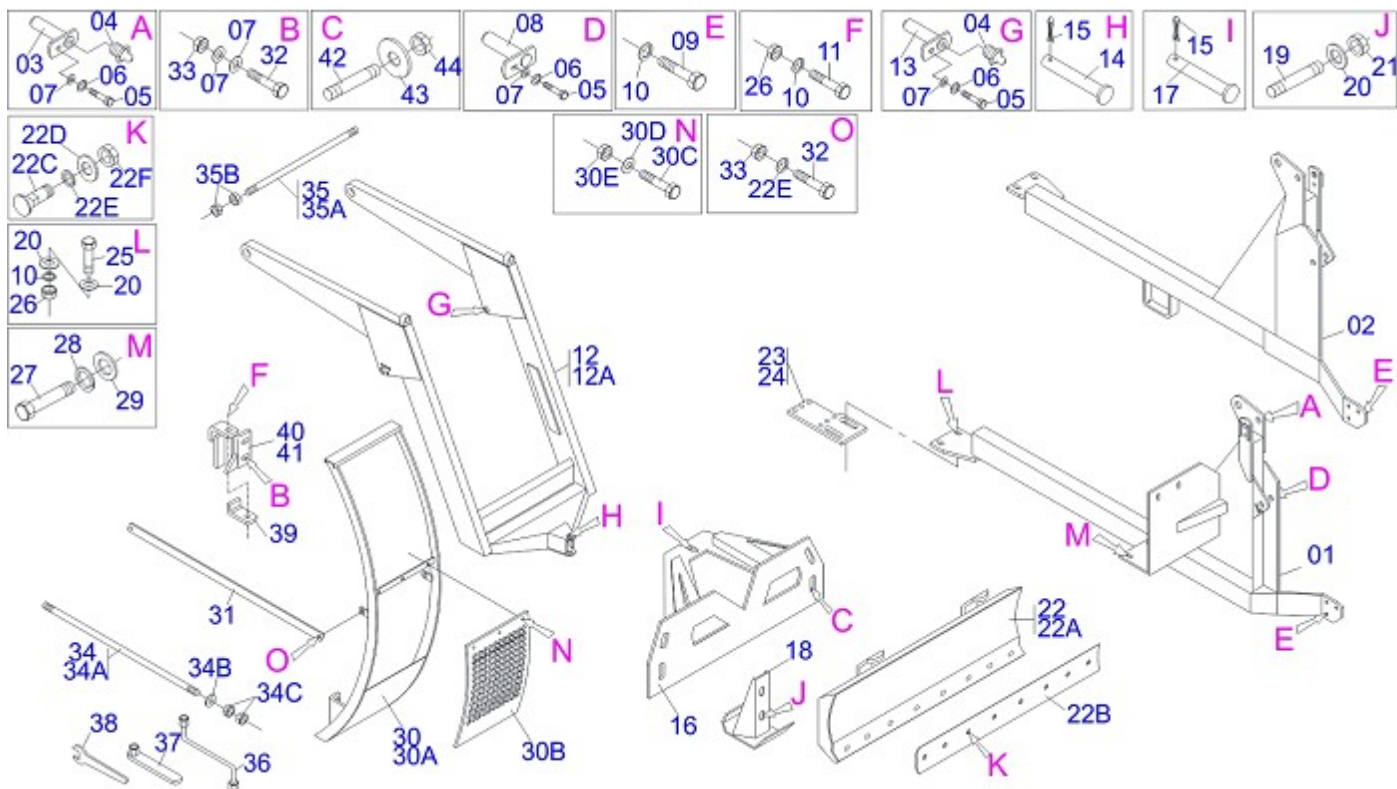


INDEX

0909091266	1
0909091265	HYDRAULIC CIRCUIT	2

ATTENTION: IMPORTANT

MARCHESAN RESERVES THE RIGHT AT ANY TIME TO MAKE IMPROVEMENTS IN THE DESIGN, MATERIAL OR SPECIFICATIONS OF MACHINERY, EQUIPMENT OR PARTS WITHOUT THEREBY BECOMING LIABLE TO MAKE SIMILAR CHANGES IN MACHINERY, EQUIPMENT OR PARTS PREVIOUSLY SOLD.

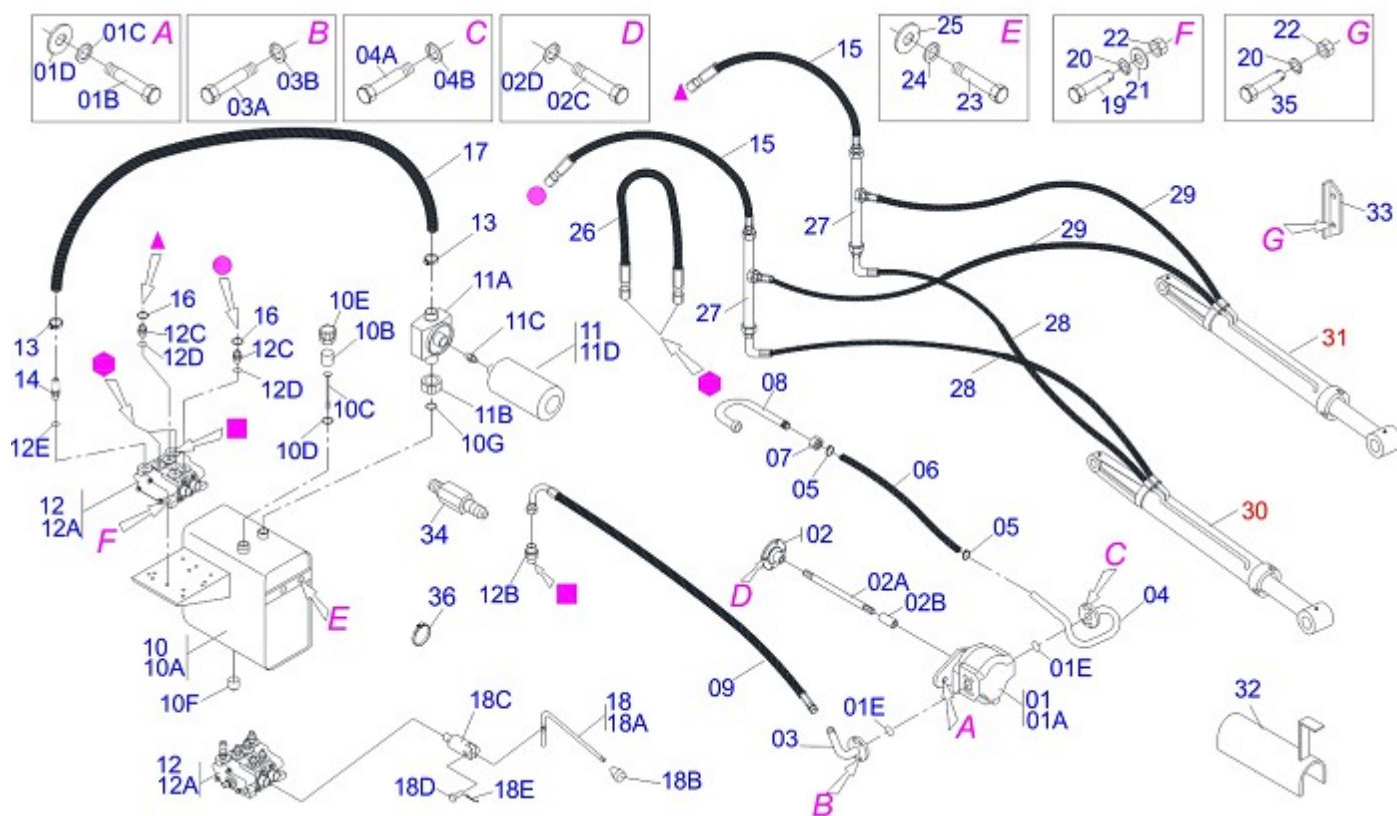


Item	Code	Description	QT
01	0501069138	RIGHT FRAME	01
02	0501069139	LEFT FRAME	01
03	0501063959	PIVOT SHAFT	02
04	0503010002	GREASE FITTING	04
05	0503010962	5/8" X 1-1/4" BOLT	06
06	0503010027	5/8" SPRING WASHER	06
07	0501012140	FLAT WASHER	14
08	0501063958	1.5" X 4.3" PIVOT SHAFT LOCK	02
09	0501010098	3/4" X 2" BOLT	06
10	0503010023	3/4" SPRING WASHER	12
11	0511016281	3/4" X 8" BOLT	02
12	0501047979		01
13	0501063751	1.5" X 5.5" PIVOT SHAFT	02
14	0521010613	1.4" X 3.9" COUPLING SHAFT	01
15	0503010010	1/4" X 2.1/2" COTTERPIN	02
16	0501062637	5/8" REGULATOR SUPPORT	01
17	0521010618	1.4" X 8.6" COUPLING SHAFT	01
18	0501063411	ESTABILIZER BRACKET	02
19	0501010571	3/4 NC X 3/4 NF X 56 PRISONER	04
20	0501010322	FLAT WASHER	12
21	0503010335	3/4" NUT	04
22	0501047708	2400 BLADE SUPPORT	01
22A	0501067999	2390 BLADE SUPPORT	01
22B	0622360016	94.5" SCRAPER REVERSIBLE	01
22C	0501012240	5/8" X 2-1/2" BOLT	08
22D	0501010301	FLAT WASHER	08
22E	0503010027	5/8" SPRING WASHER	10
22F	0503010013	5/8" NUT	08
23	0501064690		01
24	0501064689		01
25	0501010500	3/4" X 3" BOLT	04
26	0503010014	3/4" NUT	06
27	0501010161	1/2" X 1-1/4" BOLT	02



Item	Code	Description	QT
28	0503010019	1/2" SPRING WASHER	02
29	0511017302	FLAT WASHER	02
30	0501047978		01
30A	0501069169		01
30B	0501014214		01
30C	0503010751	3/8" X 1.1/4" HEX BOLT G.5	03
30D	0501010984	FLAT WASHER	03
30E	0503010026	3/8" NUT	03
31	0511016419		02
32	0501010100	5/8" X 2" BOLT	06
33	0503010013	5/8" NUT	04
34	0501041427	1.1/4" NC X 1540 ROD	01
34A	0501014250	1.1/4" X 1540 ROD	01
34B	0502012180	CONICAL SPRING WASHER	02
34C	0501010087	1.1/4" UNC NUT	04
35	0501041652	1.1/4" X 31.88" ROD ASSY	01
35A	0501014916	1.1/4" X 31.88" ROD	01
35B	0501010087	1.1/4" UNC NUT	04
36	0501068213	5/8" WRENCH DOUBLE	01
37	0501061617	1" WRENCH CYLINDRICAL HEX	01
38	0511010153	2-5/16" FIXED WRENCH	01
39	0511013888		02
40	0501067316		01
41	0501067317		01
42	0501010572	1 UNC X 1 UNS X 76 PRISONER	04
43	0501010574	FLAT WASHER	04
44	0503010340	1" UNF NUT	04

HYDRAULIC CIRCUIT



Item	Code	Description	QT
01	0501052129	PUMP WITH TUBE	01
01A	0503060045	40L 1/2" PUMP	01
01B	0501010080	3/8" X 1-1/2" BOLT	02
01C	0503010019	1/2" SPRING WASHER	02
01D	0511017302	FLAT WASHER	02
01E	0503010173	2-220 N 3006-9B O-RING	02
02	0503050003	COUPLING FLANGE	01
02A	0511064402	407 X 1.1/8 STRIATED X 1.1/8-30G AXLE	01
02B	0503030838	1-1/8" X 2.4" SLEEVE	01
03	0501069661	PUMP PRESSURE TUBE	01
03A	0503010237	3/8" X 1" HEX BOLT G5	04
03B	0503010025	3/8" SPRING WHASHER	04
04	0501069536	PUMP SUCTION TUBE	01
04A	0503010355	7/16" X 1" BOLT	04
04B	0503010180	7/16" SPRING WASHER	04
05	0503010243	1-1/2" TO 2" CLAMP	02
06	0501010808	1.1/4" X 1300 AB-AB HOSE	01
07	0501016309	2" 1X 2.5/16" NUT	01
08	0501063383	TANK OUTER TUBE	01
09	0501080637	3/4" X 2800 TR-TC HOSE	01
10	0501046828	RESERVOIR OIL ASSY	01
10A	0501068067	RESERVOIR OIL	01
10B	0503030044	FILTERING ELEMENT	01
10C	0501060975	OIL GAGE	01
10D	0503010185	2-221 N 3006-9B O-RING	01
10E	0502020472	TANK COVER BODY	01
10F	0503031604	1/2" BSP PLUG	01
11	0501041108	RETURNING FILTER ASSY	01
11A	0502050002	RETURNING FILTER HEAD	01
11B	0501010594	1" NUT HEX	01
11C	0501010595	1" NF NIPPLE	01
11D	0503010183	RETURNING FILTER	01
12	0501040873	1/2" DOUBLE COMMAND	01



HYDRAULIC CIRCUIT

0909091265

Item	Code	Description	QT
12A	0503060081	1/2" DOUBLE COMMAND	01
12B	0501010589	1-1/16 NIPPLE	01
12C	0501010590	7/8" REDUCTION NIPPLE	04
12D	0503010045	2-116 N 3006-9B O'RING	04
12E	0503010602	2-211 N 3006-9B O'RING	02
13	0503010184	1-1/4" TO 1-1/2" CLAMP	02
14	0501010591	HOSE NIPPLE	01
15	0501080014		02
16	0503010714	2-015 N 3006-9B O'RING	04
17	0501013822	1" X 25.6" AB-AB HOSE	01
18	0501048023	CONTROL VALVE	01
18A	0511060695	CONTROL VALVE	01
18B	0503030878	LEVER CRANK	01
18C	0503030347	UPPER LEVER ASSY (SAUER DANFOSS)	02
18D	0521010532	0.3" X 0.9" COUPLING SHAFT	02
18E	0503010140	1/8" X 3/4" COTTERPIN	02
19	0501010080	3/8" X 1-1/2" BOLT	03
20	0503010025	3/8" SPRING WHASHER	07
21	0501010984	FLAT WASHER	03
22	0503010026	3/8" NUT	07
23	0501010161	1/2" X 1-1/4" BOLT	02
24	0503010019	1/2" SPRING WASHER	02
25	0511017302	FLAT WASHER	02
26	0501080120	1/2" X 400 TR-TR HOSE	01
27	0501068942	"T" CONNECTION NIPPLES	02
28	0501080010		02
29	0501080135		02
30	0501044368	HYDRAULIC CYLINDER	01
31	0501044369	HYDRAULIC CYLINDER	01
32	0511064563	HOSE PROTECTION	01
33	0501018735	REDLIGHT SUPPORT	02
34	0521014428	EXTENSION HEX	02
35	0503010134	3/8" X 1" BOLT	04
36	0503010246	2" TO 2/1/2" CLAMP	02



MARCHESAN IMPLEMENTOS E MÁQUINAS AGRÍCOLAS TATU S.A.
AV. Marchesan, 1979 - Post office box, 131 - CEP 15994-900 - Matão - SP - Brazil
Phone +55 16.3382-8282
(FAX Parts) + 55 16.3382. 8297 - (Export) + 55 16.3382.1003
e.mail: tatu@marchesan.com.br www.marchesan.com.br

*Drafting and Illustration = GASPARI
e.mail = jgaspari@marchesan.com.br*

**ORIGINAL PARTS
TATU**

