

PARTS CATALOG

FRONT LOADER

PD MF 270 A 285 SHT S-0598

Code: 0501091397



Series: S-0598

Review: MAIO/98

ORIGINAL PARTS
TATU

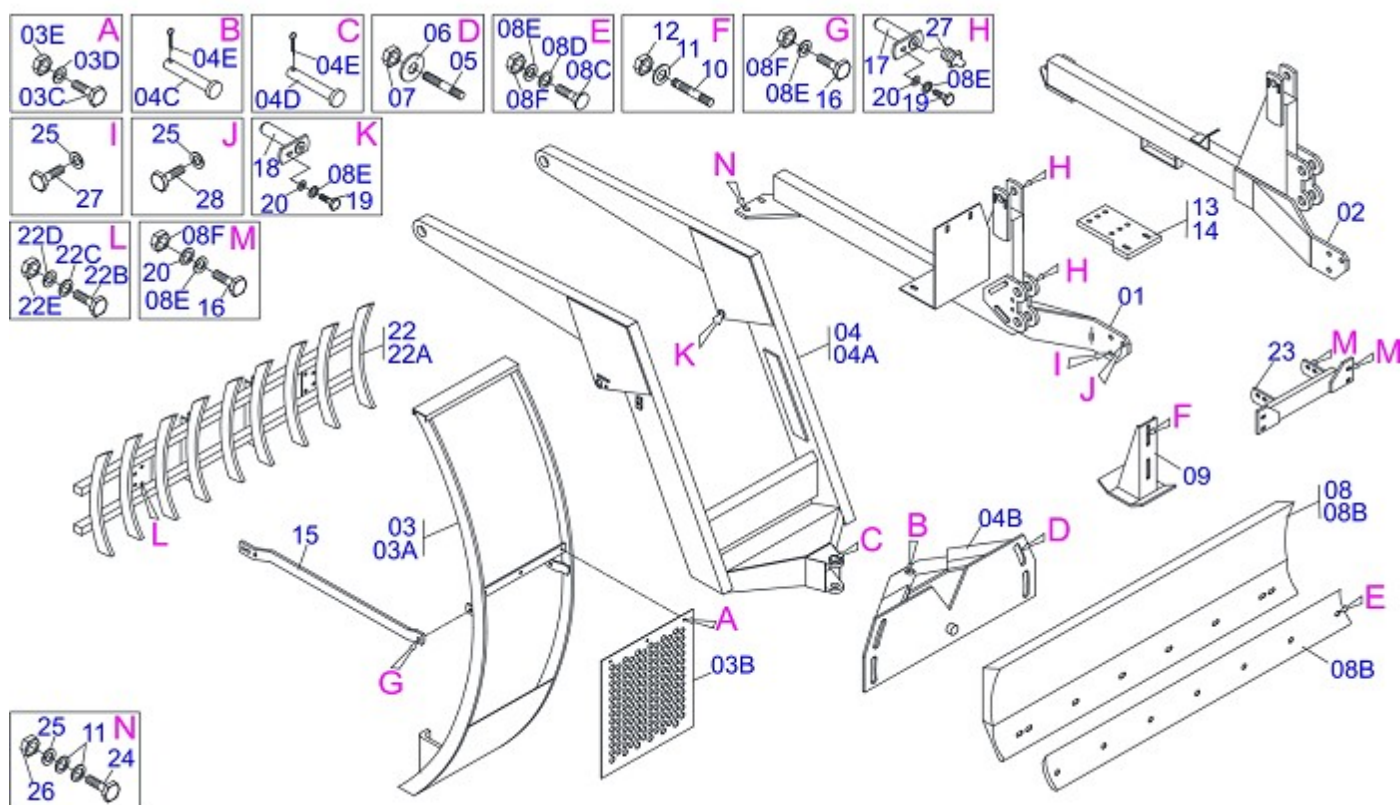


INDEX

| | | | |
|------------|-------------------------------|-------|---|
| 0909091035 | FRONT LOADER MF 270 A 285 SHT | | 1 |
| 0909091229 | HYDRAULIC CIRCUIT MF 270A285 | | 2 |

ATTENTION: IMPORTANT

MARCHESAN RESERVES THE RIGHT AT ANY TIME TO MAKE IMPROVEMENTS IN THE DESIGN, MATERIAL OR SPECIFICATIONS OF MACHINERY, EQUIPMENT OR PARTS WITHOUT THEREBY BECOMING LIABLE TO MAKE SIMILAR CHANGES IN MACHINERY, EQUIPMENT OR PARTS PREVIOUSLY SOLD.



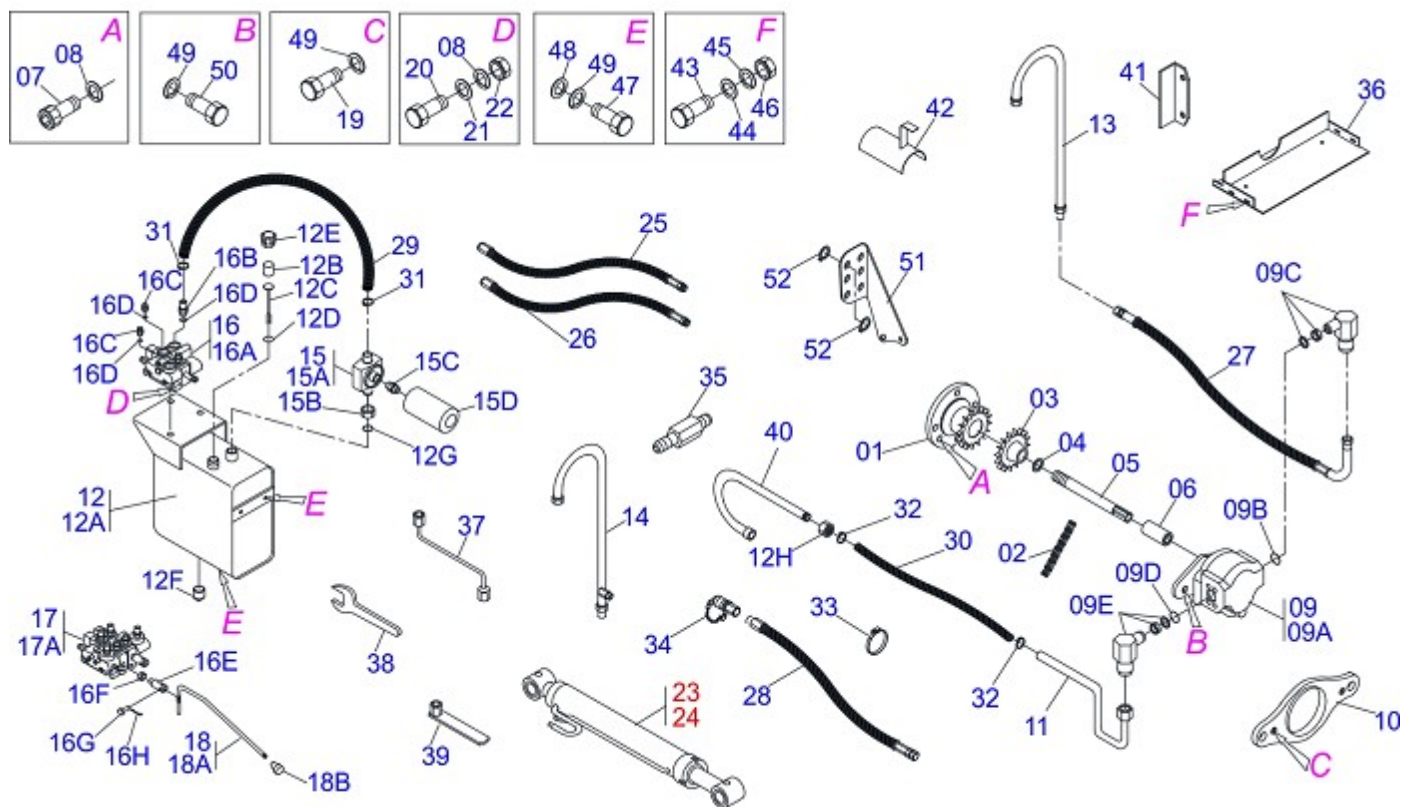
| Item | Code | Description | QT |
|------|------------|-------------------------------|----|
| 01 | 0511062621 | RIGHT FRAME | 01 |
| 02 | 0511062622 | LEFT FRAME | 01 |
| 03 | 0501040970 | MOBILE SUPPORT GUIDE ASSY | 01 |
| 03A | 0501063161 | MOBILE SUPPORT GUIDE ASSY | 01 |
| 03B | 0501014213 | FRONT PROTECTION | 01 |
| 03C | 0503010751 | 3/8" X 1.1/4" HEX BOLT G.5 | 03 |
| 03D | 0501010984 | FLAT WASHER | 03 |
| 03E | 0503010026 | 3/8" NUT | 03 |
| 04 | 0501042507 | SUPPORT GUIDE ASSY | 01 |
| 04A | 0501063683 | MOBILE SUPPORT | 01 |
| 04B | 0501063368 | REGULATOR SUPPORT | 01 |
| 04C | 0521010618 | 1.4" X 8.6" COUPLING SHAFT | 01 |
| 04D | 0521010612 | 1.4" X 3.5" COUPLING SHAFT | 01 |
| 04E | 0503010010 | 1/4" X 2.1/2" COTTERPIN | 02 |
| 05 | 0501010572 | 1 UNC X 1 UNS X 76 PRISONER | 04 |
| 06 | 0501010574 | FLAT WASHER | 04 |
| 07 | 0503010340 | 1" UNF NUT | 04 |
| 08 | 0501047707 | 2000 BLADE SUPPORT | 01 |
| 08A | 0501067998 | 1990MM BLADE SUPPORT | 01 |
| 08B | 0622360015 | 2000 SCRAPER REVERSIBLE | 01 |
| 08C | 0501012240 | 5/8" X 2-1/2" BOLT | 07 |
| 08D | 0501010301 | FLAT WASHER | 07 |
| 08E | 0503010027 | 5/8" SPRING WASHER | 23 |
| 08F | 0503010013 | 5/8" NUT | 17 |
| 09 | 0501063411 | ESTABILIZER BRACKET | 02 |
| 10 | 0501010571 | 3/4 NC X 3/4 NF X 56 PRISONER | 04 |
| 11 | 0501010322 | FLAT WASHER | 12 |
| 12 | 0503010335 | 3/4" NUT | 04 |
| 13 | 0501064690 | | 01 |
| 14 | 0501064689 | | 01 |
| 15 | 0501018838 | | 02 |
| 16 | 0501010100 | 5/8" X 2" BOLT | 10 |
| 17 | 0501063958 | 1.5" X 4.3" PIVOT SHAFT LOCK | 04 |



FRONT LOADER MF 270 A 285 SHT

0909091035

| Item | Code | Description | QT |
|------|------------|-----------------------------|----|
| 18 | 0501063960 | 37,2 X 130 PIVOT SHAFT LOCK | 02 |
| 19 | 0503010962 | 5/8" X 1-1/4" BOLT | 06 |
| 20 | 0501012140 | FLAT WASHER | 14 |
| 21 | 0503010002 | GREASE FITTING | 02 |
| 22 | 0108010002 | 9 TEETH ROOTH RAKER | 02 |
| 22A | 0501060958 | 9 TEETH ROOTH RAKER | 01 |
| 22B | 0501010276 | 1" X 3" BOLT | 04 |
| 22C | 0501010623 | FLAT WASHER | 04 |
| 22D | 0503010012 | 1" SPRING WASHER | 04 |
| 22E | 0501010059 | 1" NUT HEX | 04 |
| 23 | 0501062883 | | 01 |
| 24 | 0501010500 | 3/4" X 3" BOLT | 04 |
| 25 | 0503010023 | 3/4" SPRING WASHER | 04 |
| 26 | 0503010014 | 3/4" NUT | 04 |
| 27 | 0501010098 | 3/4" X 2" BOLT | 06 |
| 28 | 0501010125 | 3/4" X 2-1/2" BOLT | 02 |



| Item | Code | Description | CS | CD |
|------|------------|------------------------------------|----|----|
| 01 | 0503050010 | FLANGE TOOTHED WHEEL | 01 | 01 |
| 02 | 0503010455 | 50-2 CHAIN X 15 LINK + MENDING | 01 | 01 |
| 03 | 0503050075 | GEAR 16Z | 01 | 01 |
| 04 | 0501010890 | FLANGE WASHER | 01 | 01 |
| 05 | 0503030130 | 370 X R7/8 UNC X 7/8 STRIATED AXLE | 01 | 01 |
| 06 | 0503030043 | 61 SLEEVE | 01 | 01 |
| 07 | 0503010175 | 3/8" X 1-1/4" BOLT | 09 | 09 |
| 08 | 0503010025 | 3/8" SPRING WHASHER | 09 | 09 |
| 09 | 0501052223 | BALL LEVER | 01 | 01 |
| 09A | 0503060074 | 20L 3/8" PUMP | 01 | 01 |
| 09B | 0503011109 | 2-119 N 3006-9B O'RING | 01 | 01 |
| 09C | 0503012149 | CONECTOR CURVED | 01 | 01 |
| 09D | 0503010190 | 2-114 N 3006-9B O'RING | 01 | 01 |
| 09E | 0503012148 | CONECTOR CURVED | 01 | 01 |
| 10 | 0502020182 | RESERVOIR OIL ASSY | 01 | 01 |
| 11 | 0501047808 | RESERVOIR OIL | 01 | 01 |
| 11A | 0501068882 | FILTERING ELEMENT | 01 | 01 |
| 11B | 0503030044 | OIL GAGE | 01 | 01 |
| 11C | 0501060975 | TANK COVER BODY | 01 | 01 |
| 11D | 0503010185 | 1/2" BSP PLUG | 01 | 01 |
| 11E | 0502020472 | 2-221 N 3006-9B O'RING | 01 | 01 |
| 11F | 0503031604 | TANK COVER BODY | 01 | 01 |
| 11G | 0503010046 | 2-216 N 3006-9B O'RING | 01 | 01 |
| 11H | 0501016309 | 2" 1X 2.5/16" NUT | 01 | 01 |
| 12 | 0511060350 | PUMP SUCTION TUBE | 01 | 01 |
| 13 | 0501064407 | VALVE PRESSURE TUBE | 01 | 01 |
| 14 | 0501064408 | OIL TUBE | 02 | 02 |
| 15 | 0501040959 | RETURNING FILTER ASSY | 01 | 01 |
| 15A | 0502050002 | RETURNING FILTER HEAD | 01 | 01 |
| 15B | 0501010594 | 1" NUT HEX | 01 | 01 |
| 15C | 0501010595 | 1" NF NIPPLE | 01 | 01 |
| 15D | 0503010545 | RETURNING FILTER | 01 | 01 |
| 16 | 0501040976 | 3/8" CCOMMAND SIMPLE | 01 | |



HYDRAULIC CIRCUIT MF 270A285

0909091229

| Item | Code | Description | CS CD |
|------|------------|---------------------------------|-------|
| 16A | 0503060078 | 3/8" COMMAND SIMPLE | 01 |
| 16B | 0501011806 | 1" HOSE NIPPLE | 01 01 |
| 16C | 0501010590 | 7/8" REDUCTION NIPPLE | 03 05 |
| 16D | 0503010045 | 2-116 N 3006-9B O'RING | 04 06 |
| 16E | 0503011050 | LOWER LEVER | 01 02 |
| 16F | 0503010337 | 5/16" NUT | 01 02 |
| 16G | 0521010532 | 0.3" X 0.9" COUPLING SHAFT | 01 02 |
| 16H | 0503010140 | 1/8" X 3/4" COTTERPIN | 01 02 |
| 17 | 0501041024 | 3/8" DOUBLE CONTROL VALVE | 01 |
| 17A | 0503060079 | 3/8" DOUBLE COMMAND VALVE | 01 |
| 18 | 0511040565 | CONTROL VALVE | 01 02 |
| 18A | 0511066395 | CONTROL VALVE | |
| 18B | 0503030878 | LEVER CRANK | 01 02 |
| 19 | 0503010322 | 1/2" X 1-1/4" BOLT | 02 02 |
| 20 | 0501010080 | 3/8" X 1-1/2" BOLT | 03 03 |
| 21 | 0501010984 | FLAT WASHER | 03 03 |
| 22 | 0503010026 | 3/8" NUT | 03 03 |
| 23 | 0501040951 | HYDRAULIC CYLINDER | 01 01 |
| 24 | 0501040952 | HYDRAULIC CYLINDER | 01 01 |
| 25 | 0501080128 | 3/8" X 71" TR-TR HOSE ASSY | 02 02 |
| 26 | 0501080321 | 3/8" X 47" TR-TR HOSE ASSY | 02 02 |
| 27 | 0501080336 | 1/2" X 2450 TR-TR HOSE | 02 02 |
| 28 | 0501080245 | | 01 |
| 29 | 0501013822 | 1" X 25.6" AB-AB HOSE | 01 01 |
| 30 | 0501013436 | | 01 01 |
| 31 | 0503010184 | 1-1/4" TO 1-1/2" CLAMP | 02 04 |
| 32 | 0503010243 | 1-1/2" TO 2" CLAMP | 02 02 |
| 33 | 0503010246 | 2" TO 2 1/2" CLAMP | 03 03 |
| 34 | 0501053835 | FEMALE QUICK COUPLER | 02 |
| 35 | 0521014428 | EXTENSION HEX | 02 02 |
| 36 | 0501069729 | | 01 01 |
| 37 | 0501068213 | 5/8" WRENCH DOUBLE | 01 01 |
| 38 | 0511010153 | 2-5/16" FIXED WRENCH | 01 01 |
| 39 | 0501061617 | 1" WRENCH CYLINDRICAL HEX | 01 01 |
| 40 | 0501063388 | TANK OUTER TUBE | 01 01 |
| 41 | 0501018735 | REDLIGHT SUPPORT | 01 01 |
| 42 | 0511064563 | HOSE PROTECTION | 01 01 |
| 43 | 0503010743 | 1/4" X 1-1/4" BOLT | 04 04 |
| 44 | 0511017303 | FLAT WASHER | 04 04 |
| 45 | 0503010143 | 1/4" SPRING WASHER | 04 04 |
| 46 | 0503010144 | 1/4" NUT | 04 04 |
| 47 | 0501010161 | 1/2" X 1-1/4" BOLT | 04 04 |
| 48 | 0511017302 | FLAT WASHER | 04 04 |
| 49 | 0503010019 | 1/2" SPRING WASHER | 08 08 |
| 50 | 0503010920 | 1/2" X 1.1/2" BOLT | 02 02 |
| 51 | 0511019730 | QUICK COUPLING SUPPORT | 01 |
| 52 | 0503010217 | 501040 CLAMPING RING (FOR AXLE) | 04 |



MARCHESAN

MARCHESAN IMPLEMENTOS E MÁQUINAS AGRÍCOLAS TATU S.A.

AV. Marchesan, 1979 - Post office box, 131 - CEP 15994-900 - Matão - SP - Brazil

Phone +55 16.3382-8282

(FAX Parts) + 55 16.3382. 8297 - (Export) + 55 16.3382.1003

e.mail: tatu@marchesan.com.br www.marchesan.com.br

*Drafting and Illustration = GASPARI
e.mail = jgaspari@marchesan.com.br*

**ORIGINAL PARTS
TATU**



MARCHESAN