

PARTS CATALOG

FRONT LOADER

PD MF 265 SHT S-0598

Code: 0501091396



Series: S-0598

Review: MAIO/98

ORIGINAL PARTS
TATU

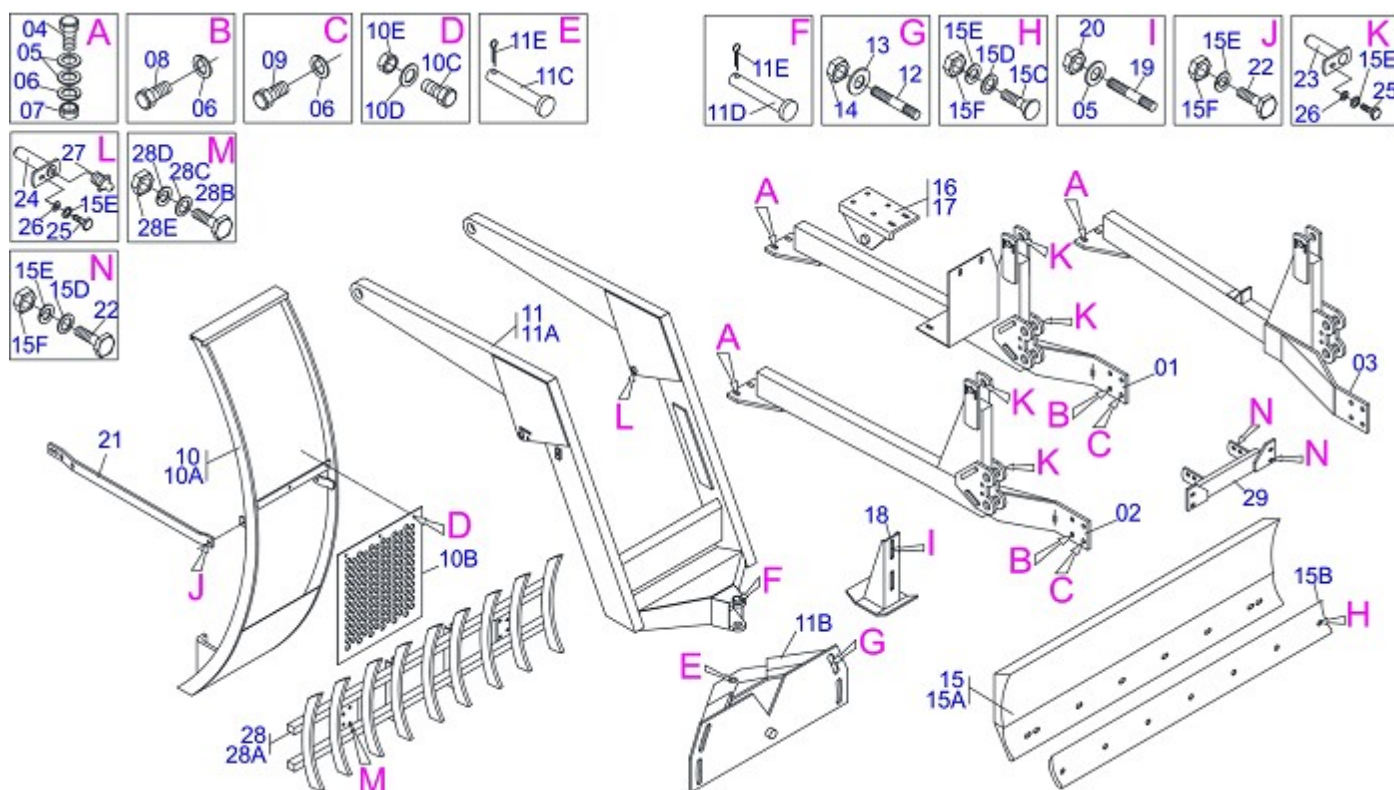


INDEX

0909091233	FRONT LOADER MF 265 SHT S-0598	1
0909092238	HYDRAULIC CIRCUIT	2

ATTENTION: IMPORTANT

MARCHESAN RESERVES THE RIGHT AT ANY TIME TO MAKE IMPROVEMENTS IN THE DESIGN, MATERIAL OR SPECIFICATIONS OF MACHINERY, EQUIPMENT OR PARTS WITHOUT THEREBY BECOMING LIABLE TO MAKE SIMILAR CHANGES IN MACHINERY, EQUIPMENT OR PARTS PREVIOUSLY SOLD.



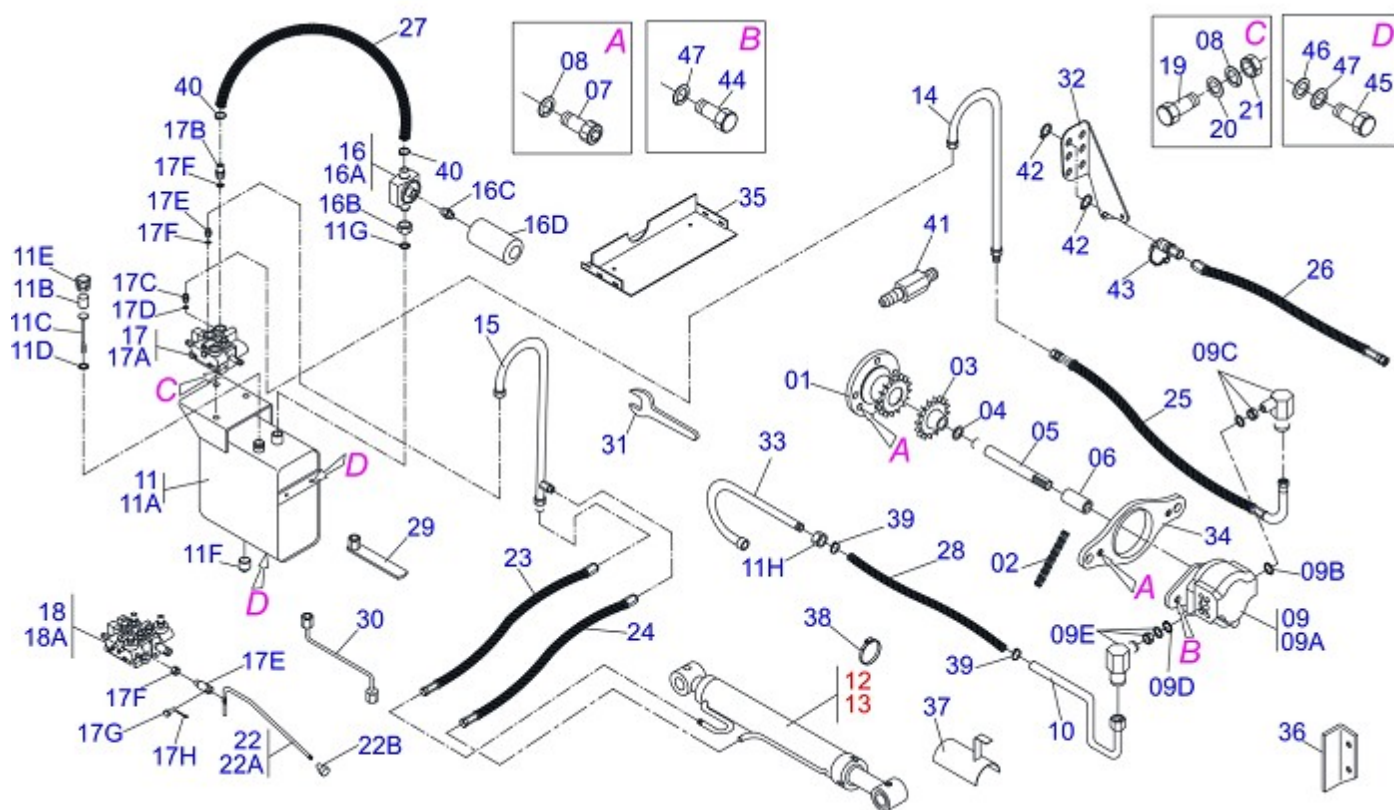
Item	Code	Description	BT SHT
01	0501063868	RIGHT FRAME	01
02	0501063869	RIGHT FRAME	01
03	0501063870	LEFT FRAME	01 01
04	0501010500	3/4" X 3" BOLT	04 04
05	0501010322	FLAT WASHER	12 12
06	0503010023	3/4" SPRING WASHER	12 12
07	0503010014	3/4" NUT	04 04
08	0501010098	3/4" X 2" BOLT	06 06
09	0501010125	3/4" X 2-1/2" BOLT	02 02
10	0501040970	MOBILE SUPPORT GUIDE ASSY	01 01
10A	0501063161	MOBILE SUPPORT GUIDE ASSY	01 01
10B	0501014213	FRONT PROTECTION	01 01
10C	0503010751	3/8" X 1.1/4" HEX BOLT G.5	03 03
10D	0501010984	FLAT WASHER	03 03
10E	0503010026	3/8" NUT	03 03
11	0501042506		01 01
11A	0501063720		01 01
11B	0501063368	REGULATOR SUPPORT	01 01
11C	0521010618	1.4" X 8.6" COUPLING SHAFT	01 01
11D	0521010612	1.4" X 3.5" COUPLING SHAFT	01 01
11E	0503010010	1/4" X 2.1/2" COTTERPIN	02 02
12	0501010572	1 UNC X 1 UNS X 76 PRISONER	04 04
13	0501010574	FLAT WASHER	04 04
14	0503010340	1" UNF NUT	04 04
15	0501047707	2000 BLADE SUPPORT	01 01
15A	0501067998	1990MM BLADE SUPPORT	01 01
15B	0622360015	2000 SCRAPER REVERSIBLE	07 07
15C	0501012240	5/8" X 2-1/2" BOLT	07 07
15D	0501010301	FLAT WASHER	07 07
15E	0503010027	5/8" SPRING WASHER	07 07
15F	0503010013	5/8" NUT	07 07
16	0501064889		01 01
17	0501064690		01 01



FRONT LOADER MF 265 SHT S-0598

0909091233

Item	Code	Description	BT SHT
18	0501063411	ESTABILIZER BRACKET	01 01
19	0501010571	3/4 NC X 3/4 NF X 56 PRISONER	04 04
20	0503010335	3/4" NUT	04 04
21	0501018838		02 02
22	0501010100	5/8" X 2" BOLT	10 10
23	0501063958	1.5" X 4.3" PIVOT SHAFT LOCK	04 04
24	0501063960	37,2 X 130 PIVOT SHAFT LOCK	02 02
25	0503010962	5/8" X 1-1/4" BOLT	06 06
26	0501012140	FLAT WASHER	16 16
27	0503010002	GREASE FITTING	02 02
28	0108010002	9 TEETH ROOTH RAKER	02 02
28A	0501060958	9 TEETH ROOTH RAKER	01 01
28B	0501010276	1" X 3" BOLT	04 04
28C	0501010623	FLAT WASHER	04 04
28D	0503010012	1" SPRING WASHER	04 04
28E	0501010059	1" NUT HEX	04 04
29	0501062883		01 01



Item	Code	Description	CS	CD
01	0503050010	FLANGE TOOTHED WHEEL	01	01
02	0503010455	50-2 CHAIN X 15 LINK + MENDING	01	01
03	0503050075	GEAR 16Z	01	01
04	0501010890	FLANGE WASHER	01	01
05	0503030130	370 X R7/8 UNC X 7/8 STRIATED AXLE	01	01
06	0503030043	61 SLEEVE	01	01
07	0503010751	3/8" X 1.1/4" HEX BOLT G.5	04	04
08	0503010025	3/8" SPRING WHASHER	07	07
09	0501052223	BALL LEVER	01	01
09A	0503060074	20L 3/8" PUMP	01	01
09B	0503011109	2-119 N 3006-9B O'RING	01	01
09C	0503012149	CONECTOR CURVED	01	01
09D	0503010190	2-114 N 3006-9B O'RING	01	01
09E	0503012148	CONECTOR CURVED	01	01
10	0511060350	PUMP SUCTION TUBE	01	01
11	0501047808	RESERVOIR OIL ASSY	01	01
11A	0501068882	RESERVOIR OIL	01	01
11B	0503030044	FILTERING ELEMENT	01	01
11C	0501060975	OIL GAGE	01	01
11D	0503010185	2-221 N 3006-9B O'RING	01	01
11E	0502020472	TANK COVER BODY	01	01
11F	0503031604	1/2" BSP PLUG	01	01
11G	0503010046	2-216 N 3006-9B O'RING	01	01
11H	0501016309	2" 1X 2.5/16" NUT	01	01
12	0501040951	HYDRAULIC CYLINDER	01	01
13	0501040952	HYDRAULIC CYLINDER	01	01
14	0501064407	VALVE PRESSURE TUBE	01	01
15	0501064408	OIL TUBE	02	02
16	0501040959	RETURNING FILTER ASSY	01	01
16A	0502050002	RETURNING FILTER HEAD	01	01
16B	0501010594	1" NUT HEX	01	01
16C	0501010595	1" NF NIPPLE	01	01
16D	0503010545	RETURNING FILTER	01	01



HYDRAULIC CIRCUIT

0909092238

Item	Code	Description	CS CD
17	0501040976	3/8" CCOMMAND SIMPLE	01
17A	0503060078	3/8" COMMAND SIMPLE	01
17B	0501011806	1" HOSE NIPPLE	01 01
17C	0501010590	7/8" REDUCTION NIPPLE	03 05
17D	0503010045	2-116 N 3006-9B O'RING	04 06
17E	0503011050	LOWER LEVER	01 02
17F	0503010337	5/16" NUT	01 02
17G	0521010532	0.3" X 0.9" COUPLING SHAFT	01 02
17H	0503010140	1/8" X 3/4" COTTERPIN	01 02
18	0501041024	3/8" DOUBLE CONTROL VALVE	01
18A	0503060079	3/8" DOUBLE COMMAND VALVE	01
19	0501010080	3/8" X 1-1/2" BOLT	03 03
20	0501010984	FLAT WASHER	03 03
21	0503010026	3/8" NUT	03 03
22	0511040565	CONTROL VALVE	01 02
22A	0511066395	CONTROL VALVE	01 01
22B	0503030878	LEVER CRANK	01 01
23	0501080128	3/8" X 71" TR-TR HOSE ASSY	02 02
24	0501080321	3/8" X 47" TR-TR HOSE ASSY	02 02
25	0501080336	1/2" X 2450 TR-TR HOSE	01 01
26	0501080245		02
27	0501013822	1" X 25.6" AB-AB HOSE	01 01
28	0501013436		01 01
29	0501061617	1" WRENCH CYLINDRICAL HEX	01 01
30	0501068213	5/8" WRENCH DOUBLE	01 01
31	0511010153	2-5/16" FIXED WRENCH	01 01
32	0511019730	QUICK COUPLING SUPPORT	01
33	0501063388	TANK OUTER TUBE	01 01
34	0502020182		01 01
35	0501069729		01 01
36	0501018735	REDLIGHT SUPPORT	02 02
37	0511064563	HOSE PROTECTION	01 01
38	0503010246	2" TO 2/1/2" CLAMP	03 03
39	0503010243	1-1/2" TO 2" CLAMP	02 02
40	0503010184	1-1/4" TO 1-1/2" CLAMP	02 04
41	0521014428	EXTENSION HEX	02
42	0503010217	501040 CLAMPING RING (FOR AXLE)	04
43	0501053835	FEMALE QUICK COUPLER	02
44	0503010920	1/2" X 1.1/2" BOLT	02 02
45	0501010161	1/2" X 1-1/4" BOLT	04 04
46	0511017302	FLAT WASHER	04 04
47	0503010019	1/2" SPRING WASHER	04 04



MARCHESAN IMPLEMENTOS E MÁQUINAS AGRÍCOLAS TATU S.A.
AV. Marchesan, 1979 - Post office box, 131 - CEP 15994-900 - Matão - SP - Brazil
Phone +55 16.3382-8282
(FAX Parts) + 55 16.3382. 8297 - (Export) + 55 16.3382.1003
e.mail: tatu@marchesan.com.br www.marchesan.com.br

Drafting and Illustration = GASPARI
e.mail = jgaspari@marchesan.com.br

**ORIGINAL PARTS
TATU**

