

PARTS CATALOG

FRONT LOADER

PD MF 292-4 S-0995

Code: 0501091395



Series: S-0995

Review: SETEMBRO/95

ORIGINAL PARTS
TATU

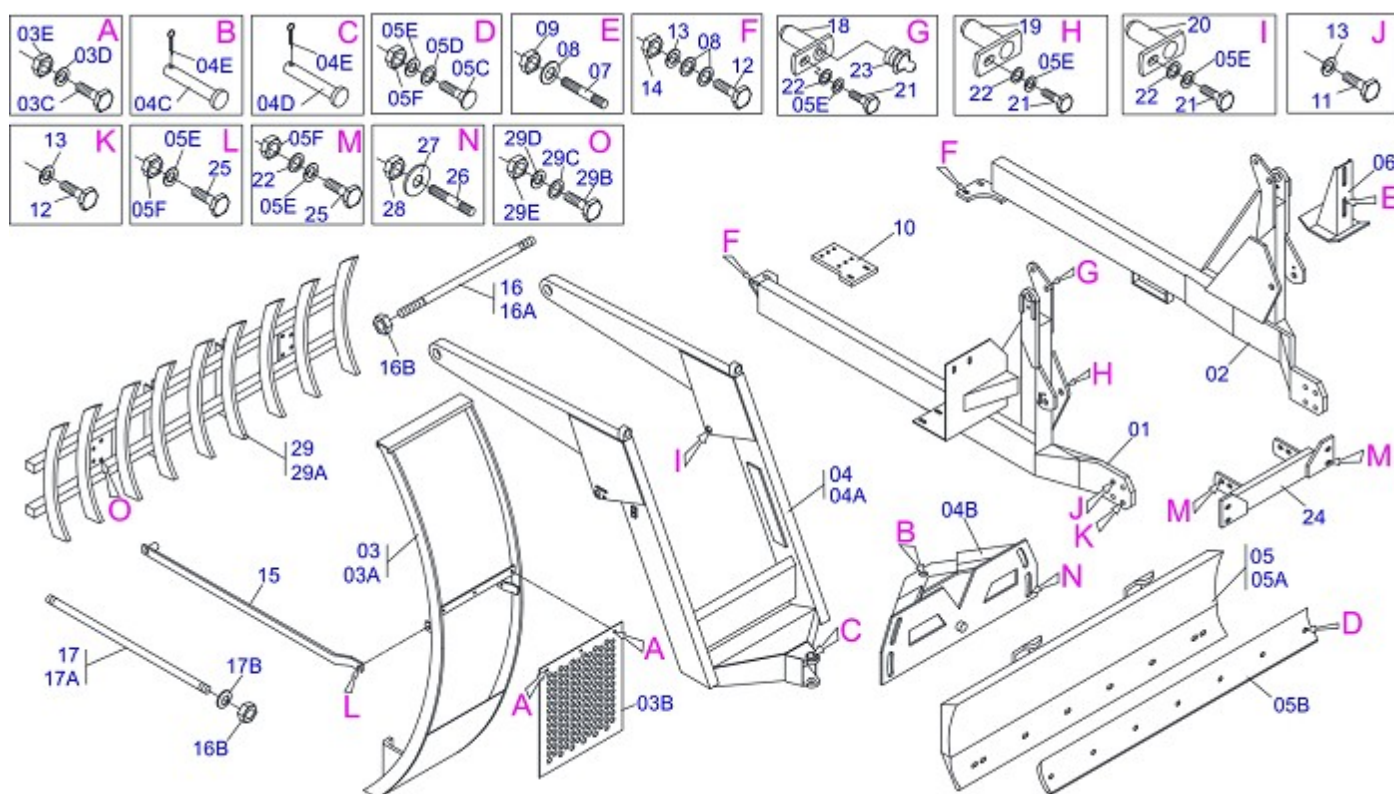


INDEX

0909091235	292-4 SHT S0995 FRAME	1
0909091236	HYDRAULIC CIRCUIT	2
0909090247	HYDRAULIC CYLINDER	3

ATTENTION: IMPORTANT

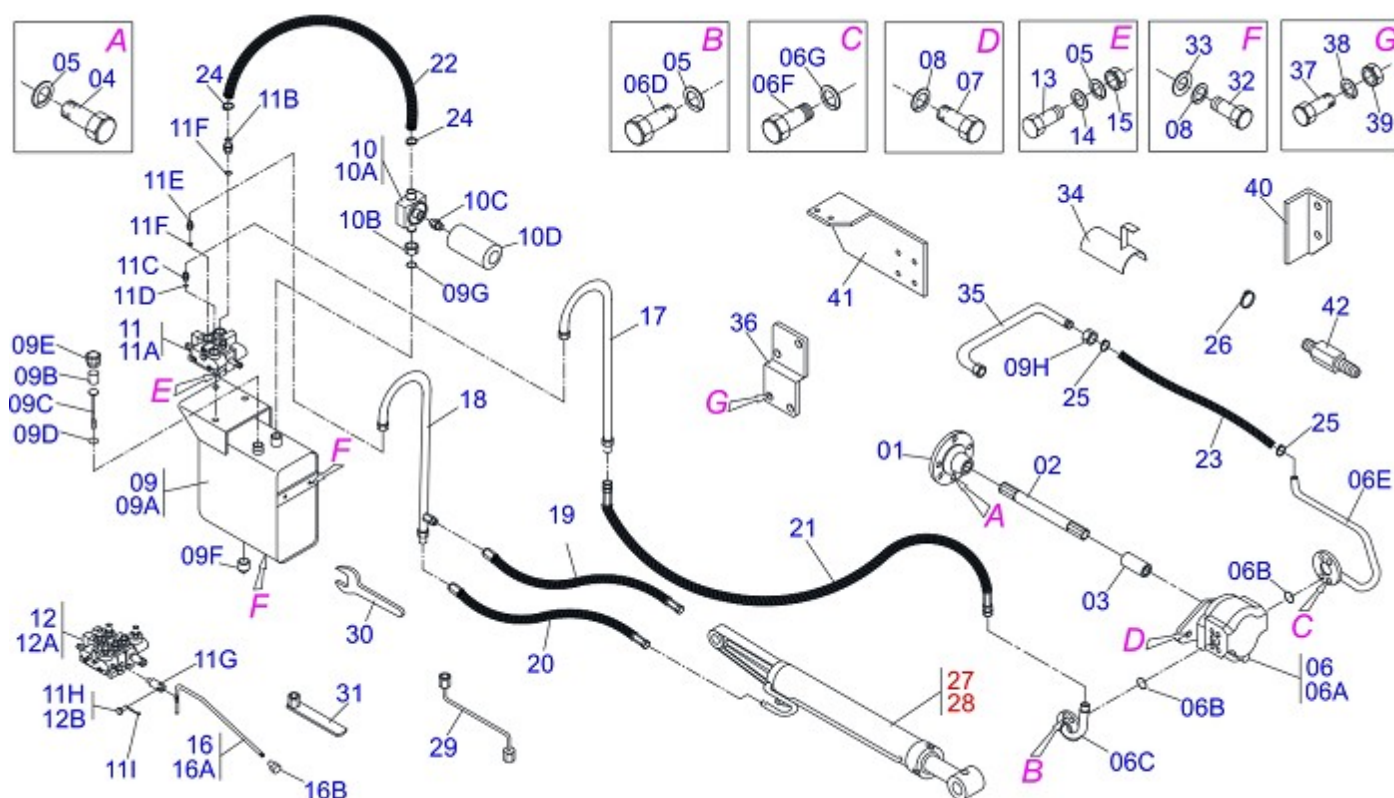
MARCHESAN RESERVES THE RIGHT AT ANY TIME TO MAKE IMPROVEMENTS IN THE DESIGN, MATERIAL OR SPECIFICATIONS OF MACHINERY, EQUIPMENT OR PARTS WITHOUT THEREBY BECOMING LIABLE TO MAKE SIMILAR CHANGES IN MACHINERY, EQUIPMENT OR PARTS PREVIOUSLY SOLD.



Item	Code	Description	QT
01	0501067799	RIGHT FRAME	01
02	0501067800	LEFT FRAME	01
03	0501047978		01
03A	0501069169		01
03B	0501014214		01
03C	0503010751	3/8" X 1.1/4" HEX BOLT G.5	03
03D	0501010984	FLAT WASHER	03
03E	0503010026	3/8" NUT	03
04	0501042513		01
04A	0501063701		01
04B	0501062637	5/8" REGULATOR SUPPORT	01
04C	0521010618	1.4" X 8.6" COUPLING SHAFT	01
04D	0521010612	1.4" X 3.5" COUPLING SHAFT	01
04E	0503010010	1/4" X 2.1/2" COTTERPIN	02
05	0501047708	2400 BLADE SUPPORT	01
05A	0501067999	2390 BLADE SUPPORT	01
05B	0622360016	94.5" SCRAPER REVERSIBLE	01
05C	0501012240	5/8" X 2-1/2" BOLT	07
05D	0501010301	FLAT WASHER	07
05E	0503010027	5/8" SPRING WASHER	23
05F	0503010013	5/8" NUT	17
06	0501063411	ESTABILIZER BRACKET	02
07	0501010571	3/4 NC X 3/4 NF X 56 PRISONER	04
08	0501010322	FLAT WASHER	12
09	0503010335	3/4" NUT	04
10	0501014778	FRAME BRACKET	02
11	0501010098	3/4" X 2" BOLT	06
12	0501010500	3/4" X 3" BOLT	06
13	0503010023	3/4" SPRING WASHER	12
14	0503010014	3/4" NUT	04
15	0511017562		02
16	0501041652	1.1/4" X 31.88" ROD ASSY	01
16A	0501014916	1.1/4" X 31.88" ROD	01



Item	Code	Description	QT
16B	0501010087	1.1/4" UNC NUT	12
17	0501041856	1.1/4" NC X 1430 ROD	02
17A	0501014855	1.1/4" X 1430 ROD	01
17B	0502012180	CONICAL SPRING WASHER	02
18	0501063958	1.5" X 4.3" PIVOT SHAFT LOCK	02
19	0501063959	PIVOT SHAFT	02
20	0501063751	1.5" X 5.5" PIVOT SHAFT	02
21	0503010962	5/8" X 1-1/4" BOLT	06
22	0501012140	FLAT WASHER	14
23	0503010002	GREASE FITTING	02
24	0501064510		01
25	0501010100	5/8" X 2" BOLT	10
26	0501010572	1 UNC X 1 UNS X 76 PRISONER	04
27	0501010574	FLAT WASHER	04
28	0503010340	1" UNF NUT	04
29	0108010002	9 TEETH ROOTH RAKER	02
29A	0501060958	9 TEETH ROOTH RAKER	01
29B	0501010276	1" X 3" BOLT	04
29C	0501010623	FLAT WASHER	04
29D	0503010012	1" SPRING WASHER	04
29E	0501010059	1" NUT HEX	04



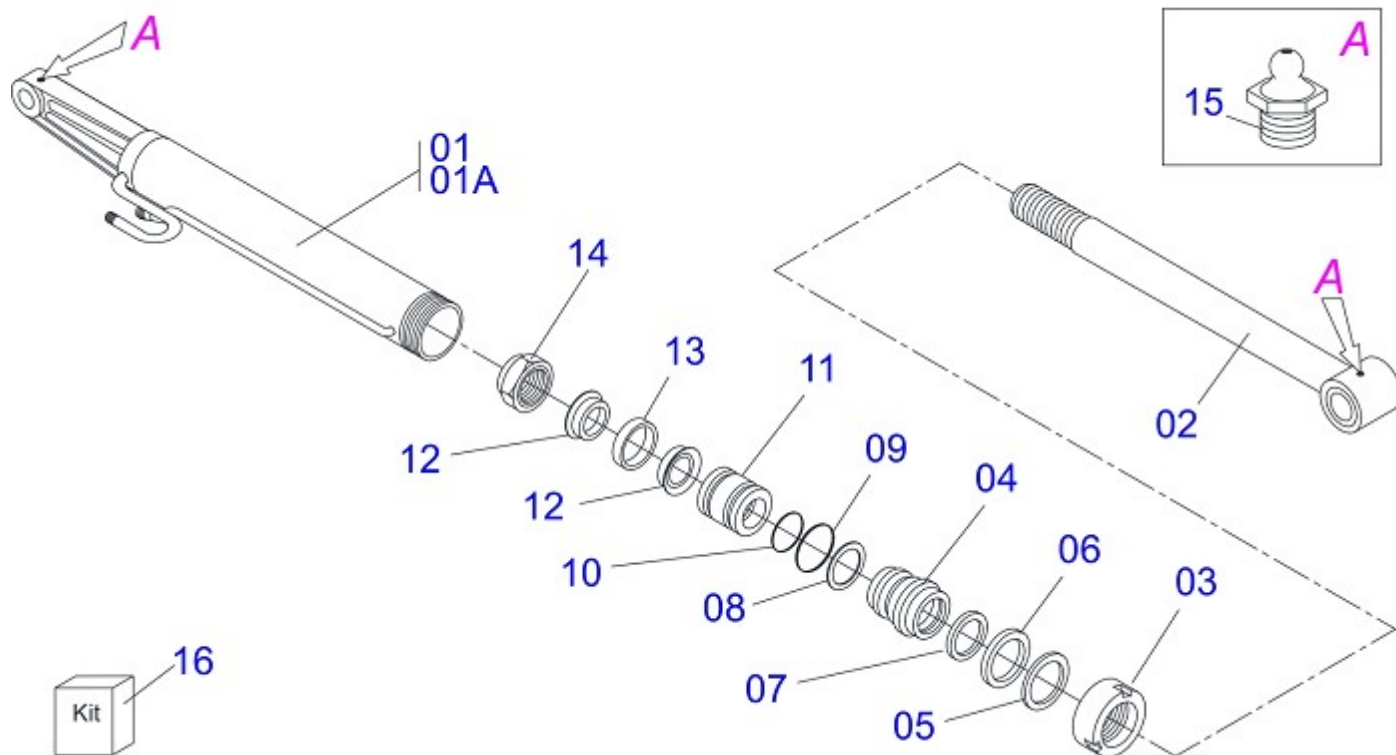
Item	Code	Description	QT
01	0503050003	COUPLING FLANGE	01
02	0501068936	475 X 1.1/8 STRIATED X 1.1/8-30G AXLE	01
03	0503030838	1-1/8" X 2.4" SLEEVE	01
04	0503010175	3/8" X 1-1/4" BOLT	04
05	0503010025	3/8" SPRING WHASHER	11
06	0501052129	PUMP WITH TUBE	01
06A	0503060045	40L 1/2" PUMP	01
06B	0503010173	2-220 N 3006-9B O'RING	02
06C	0501069661	PUMP PRESSURE TUBE	01
06D	0503010237	3/8" X 1" HEX BOLT G5	04
06E	0501069536	PUMP SUCTION TUBE	01
06F	0503010355	7/16" X 1" BOLT	04
06G	0503010180	7/16" SPRING WASHER	04
07	0503010920	1/2" X 1.1/2" BOLT	02
08	0503010019	1/2" SPRING WASHER	06
09	0501047808	RESERVOIR OIL ASSY	01
09A	0501068882	RESERVOIR OIL	01
09B	0503030044	FILTERING ELEMENT	01
09C	0501060975	OIL GAGE	01
09D	0503010185	2-221 N 3006-9B O'RING	01
09E	0502020472	TANK COVER BODY	01
09F	0503031604	1/2" BSP PLUG	01
09G	0503010046	2-216 N 3006-9B O'RING	01
09H	0501016309	2" 1X 2.5/16" NUT	01
10	0501041108	RETURNING FILTER ASSY	01
10A	0502050002	RETURNING FILTER HEAD	01
10B	0501010594	1" NUT HEX	01
10C	0501010595	1" NF NIPPLE	01
10D	0503010183	RETURNING FILTER	01
11	0501040871	1/2" COMMAND SIMPLE ASSY	01
11A	0503060080	1/2" COMMAND SIMPLE	01
11B	0501010591	HOSE NIPPLE	01
11C	0501010589	1-1/16 NIPPLE	01



HYDRAULIC CIRCUIT

0909091236

Item	Code	Description	QT
11D	0503010602	2-211 N 3006-9B O'RING	02
11E	0501010590	7/8" REDUCTION NIPPLE	02
11F	0503010045	2-116 N 3006-9B O'RING	02
11G	0503030347	UPPER LEVER ASSY (SAUER DANFOSS)	01
11H	0501010593	0.3" X 1" X 1/2" X 1.1 PIN	01
11I	0503010140	1/8" X 3/4" COTTERPIN	01
12	0501040873	1/2" DOUBLE COMMAND	01
12A	0503060081	1/2" DOUBLE COMMAND	01
12B	0521010532	0.3" X 0.9" COUPLING SHAFT	02
13	0501010080	3/8" X 1-1/2" BOLT	03
14	0501010984	FLAT WASHER	03
15	0503010026	3/8" NUT	03
16	0501041196	CONTROL LEVER ASSY	01
16A	0501067556	CONTROL VALVE (V-985-4)	01
16B	0503030878	LEVER CRANK	01
17	0501064350	VALVE PRESSURE TUBE	01
18	0501068945	CURVED CONNECTION	02
19	0501080103	1/2" X 47" TR-TR HOSE ASSY	02
20	0501080174		02
21	0501080334	HOSE ASSY 3/4 X 2400 TR-TR	01
22	0501013822	1" X 25.6" AB-AB HOSE	01
23	0501010808	1.1/4" X 1300 AB-AB HOSE	01
24	0503010184	1-1/4" TO 1-1/2" CLAMP	02
25	0503010243	1-1/2" TO 2" CLAMP	02
26	0503010246	2" TO 2/1/2" CLAMP	02
27	0501046992	HYDRAULIC CYLINDER	01
28	0501046993	HYDRAULIC CYLINDER	01
29	0501068213	5/8" WRENCH DOUBLE	01
30	0511010153	2-5/16" FIXED WRENCH	01
31	0501061617	1" WRENCH CYLINDRICAL HEX	01
32	0501010161	1/2" X 1-1/4" BOLT	04
33	0511017302	FLAT WASHER	04
34	0511064563	HOSE PROTECTION	01
35	0501063383	TANK OUTER TUBE	01
36	0511017074		01
37	0503010294	1/4" X 7/8" BOLT	02
38	0503010143	1/4" SPRING WASHER	02
39	0503010144	1/4" NUT	02
40	0501018735	REDLIGHT SUPPORT	02
41	0521017643	FILTER SUPPORT	01
42	0521014428	EXTENSION HEX	02



Item	Code	Description	
00	0501044368	HYDRAULIC CYLINDER	
00A	0501044369	HYDRAULIC CYLINDER	
01	0501063606	RH 85,7 X 483 CYLINDER CASE	01
01A	0501063607	LH 85,7 X 483 CYLINDER CASE	01
02	0501069048	44,45 X 648 TURNBUCLE	01
03	0502010993	DETACHABLE COVER	01
04	0502010781	RING SUPPORT	01
05	0503010761	D-1750 SCRAPER RING	01
06	0503010990	GASKET	01
07	0503010949	W2-2000-500 PK RING G.E	01
08	0503011060	8-336 BACK-UP RING	01
09	0503010976	2-336 N 3006-9B O'RING	01
10	0503010042	2-214 N 3006-9B O'RING	01
11	0502010843	1.8" X 3.4" PISTON	01
12	0503010170	PACKING 3120 2750	02
13	0503010948	W4-3346-590 PK RING G.E	01
14	0503010063	1" SELF-ALIGNING NUT	01
15	0503010002	GREASE FITTING	02
16	0501031796	HYDRAULIC CYLINDER REPAIR KIT	



MARCHESAN IMPLEMENTOS E MÁQUINAS AGRÍCOLAS TATU S.A.
AV. Marchesan, 1979 - Post office box, 131 - CEP 15994-900 - Matão - SP - Brazil
Phone +55 16.3382-8282
(FAX Parts) + 55 16.3382. 8297 - (Export) + 55 16.3382.1003
e.mail: tatu@marchesan.com.br www.marchesan.com.br

Drafting and Illustration = GASPARI
e.mail = jgaspari@marchesan.com.br

**ORIGINAL PARTS
TATU**

