

PARTS CATALOGUE

PCA T / PCA PLUS - AGRICULTURAL FRONT LOADER

Code:

0501091394

Product:

PCA-T 2000 JD 6165/80 BT SC SL



Series:

S-0716

Revision:

00

Date Revision:

JULHO/1994



PRODUCTS

Code	Description
0106111462	PCA-T 2000 JD6165/80J BTSCSL PAC 11

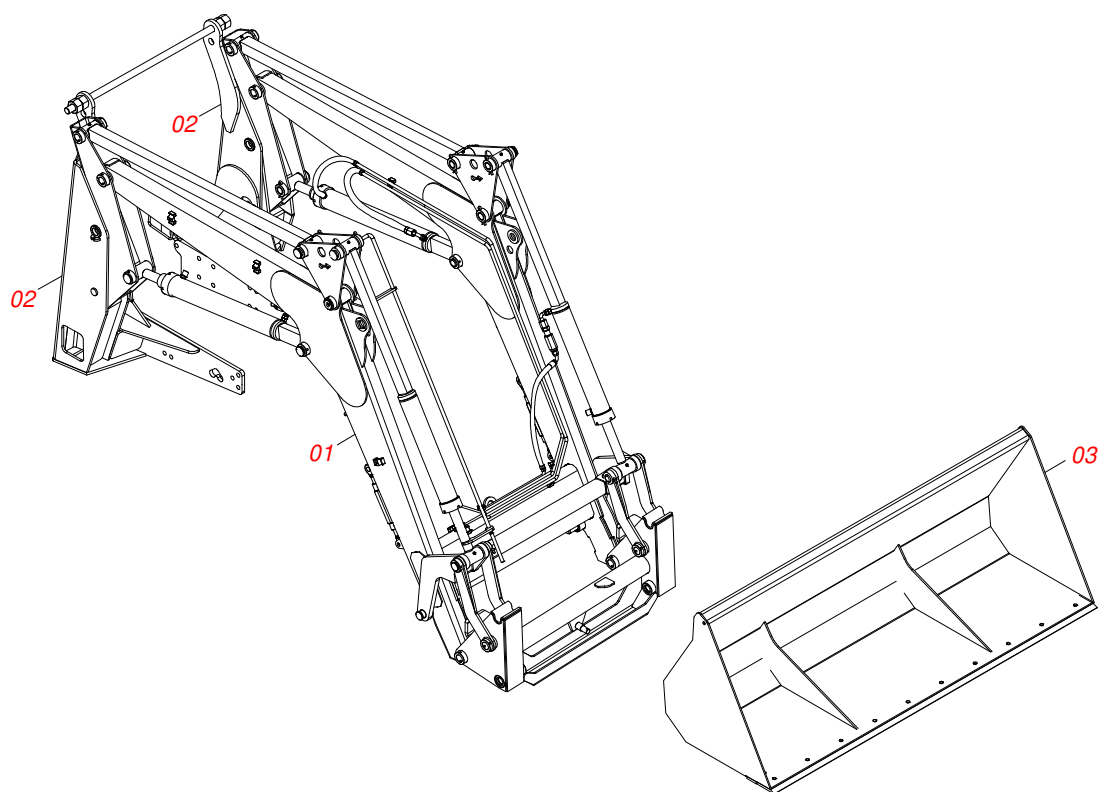
ATTENTION: IMPORTANT

Marchesan S.A. reserves the right to improve and / or modify the technical features of its products, without obligation to do the same with those products already sold and without prior knowledge of the dealer or the consumer.

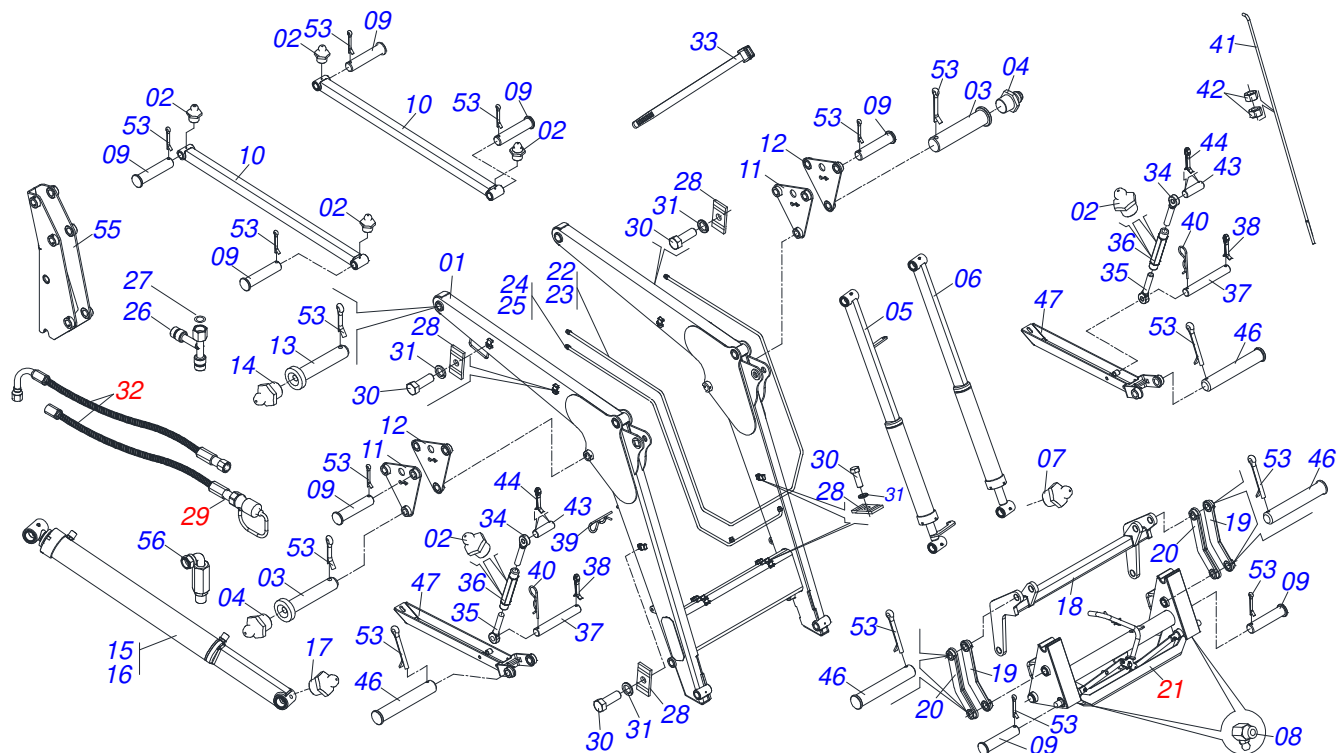


INDEX

0106111462	PCA-T 2000 JD6165/80J BTSCSL PAC 11	1
0511047439	MOBILE SUPPORT ASSY	2
0909095419	FRAME ASSY PCA	3
0511043359	ARTICULATION ASSY	4
0909095423	HYDRAULIC CIRCUIT SUPPORT MOVEL PCA JD	5
0511058246	44,45 X 85,7 X 660 X 1200 HYDRAULIC CYLINDER	6
0511058247	44,45 X 85,7 X 660 X 1200 HYDRAULIC CYLINDER	7
0511058248	44,45 X 85,7 X 454 X 1519 HYDRAULIC CYLINDER	8
0511058245	44,45 X 85,72 X 1519 X 464 HYDRAULIC CYLINDER	9
0511057810	CONJUNTO VÁLVULA DE SEGURIDAD	10
0501053834	MALE QUICK COUPLER WITH CAP - 1/2 NPT	11
0501053835	FEMALE QUICK COUPLER	12
0511043320	BUCKET ASSY	13



Item	Code	Description	See page	QT
01	0511047439	MOBILE SUPPORT ASSY	2	01
02	0909095419	FRAME ASSY PCA	3	01
03	0511043320	BUCKET ASSY	13	01



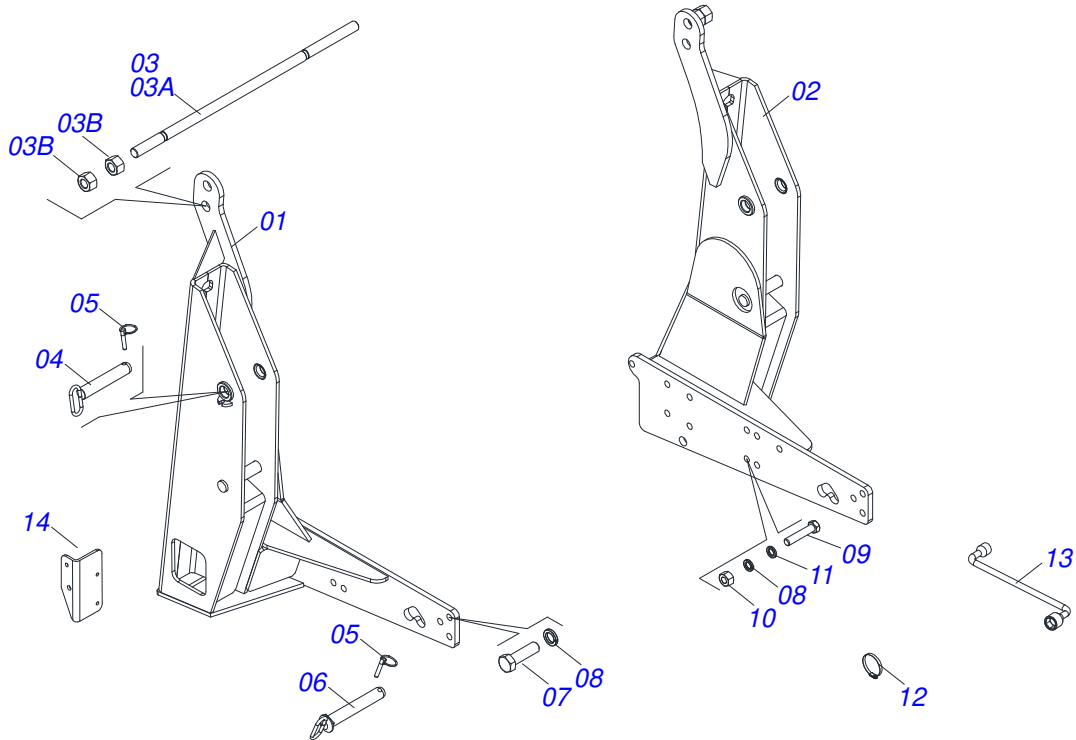
Item	Code	Description	See page	QT
001	0521067353	MOBILE SUPPORT		01
002	0503010002	1800 GREASE FITTING		04
003	0541014981	1.5" X 6.3" COUPLING SHAFT		02
004	0503010002	1800 GREASE FITTING		02
005	0511058246	44,45 X 85,7 X 660 X 1200 HYDRAULIC CYLINDER	6	01
006	0511058247	44,45 X 85,7 X 660 X 1200 HYDRAULIC CYLINDER	7	01
007	0503010002	1800 GREASE FITTING		02
008	0503010003	1845 GREASE FITTING		02
009	0561014067	COUPLING SHAFT		10
010	0521060373	TOP BAR LIFT		02
011	0521060374	RIGHT COPY ROCKER ARM		02
012	0521060375	LEFT COPY ROCKER ARM		02
013	0541014981	1.5" X 6.3" COUPLING SHAFT		02
014	0503010002	1800 GREASE FITTING		02
015	0511058248	44,45 X 85,7 X 454 X 1519 HYDRAULIC CYLINDER	8	01
016	0511058245	44,45 X 85,72 X 1519 X 464 HYDRAULIC CYLINDER	9	01
017	0503010002	1800 GREASE FITTING		04
018	0511066079	LARGER COPY		01
019	0511066123	SMALLER COPY		02
020	0511066120	LEFT SMALLER COPY		02
021	0511043359	ARTICULATION ASSY	4	01
022	0521067354	DUCT SEAL OIL		01
023	0521067355	PUMP PRESSURE TUBE		01
024	0521067356	DUCTO RETENES OLEO		01
025	0521067358	PUMP PRESSURE TUBE		01
026	0503030964	T CONNECTOR		02
027	0503011030	2-014 N 3006-9B O'RING		22
028	0531011180	UPPER BODY CLIP		10
029	0501053834	MALE QUICK COUPLER WITH CAP - 1/2 NPT	11	04
030	0503010237	3/8" X 1" BOLT		10
031	0503010025	3/8" SPRING WASHER		10



MOBILE SUPPORT ASSY

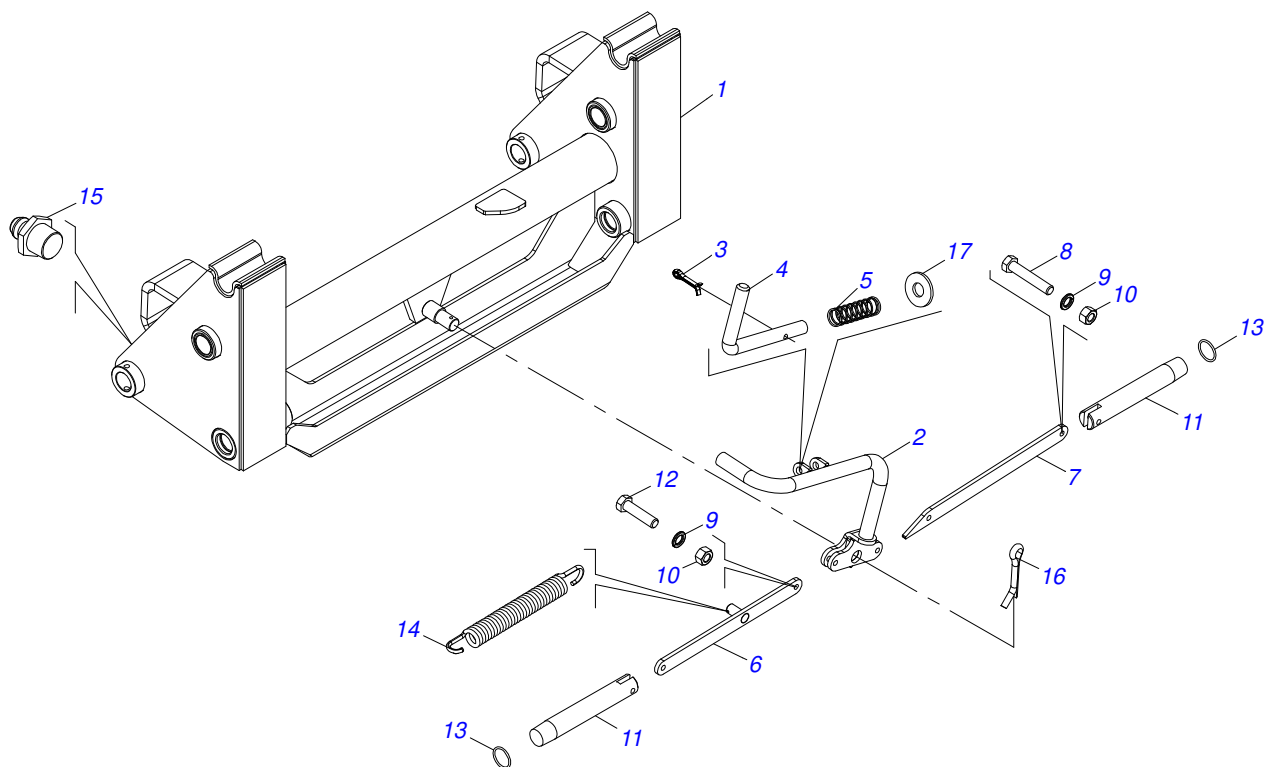
0511047439

Item	Code	Description	See page	QT
032	0511057097	HOSE KIT MOBILE SUPPORT FULL		01
033	0503013527	CLAMP ZIPER		04
034	0502012562	LEFT SPINDLE R1 X 160 PCA		02
035	0502012529	RIGHT SPINDLE R1 X 160		02
036	0502012530	REGULATOR NUT BODY R1 PCA		02
037	0521012777	COUPLING SHAFT		02
038	0503010071	3/16" X 1" COTTERPIN		02
039	0503030168	HAIR PIN		02
040	0503030012	HAIR PIN		02
041	0561011587	VARON BODY		01
042	0503010013	5/8" NUT		02
043	0561015578	3/4 X 56 PCA VTR A750 COUPLING SHAFT		02
044	0503010300	5/32" X 1" COTTERPIN		04
045	0561015035	COUPLING SHAFT		02
046	0561015034	COUPLING SHAFT		06
047	0521061020	PLOUGH SUPPORT ASSY		02
048	0503062237	SET LABEL ADHESIVE		01
049	0503031087	ADHESIVE LABEL		01
050	0503031428	READ MANUAL DECAL		01
051	0503031827	LUBRICATE AND RETIGHTEN DAILY DECAL		01
052	0503034003	SERIAL NUMBER TAG 61 X 118		01
053	0503010073	3/8 X 3-1/2 COTTERPIN		18
054	0503034078	LIFTING POINTS DECAL		03
055	0511066080	MOBILE TOWER		02
056	0511057810	CONJUNTO VÁLVULA DE SEGURIDAD	10	04

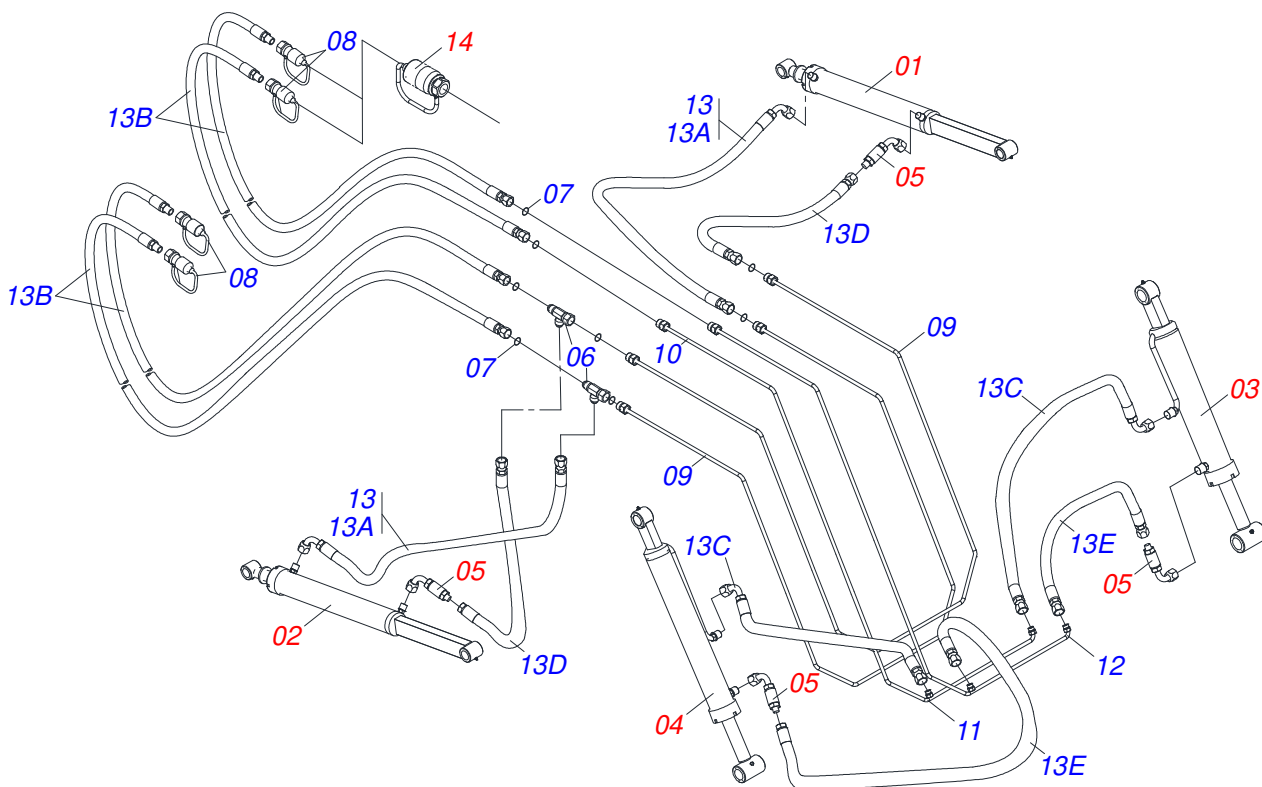


Item	Code	Description	See page	QT
01	0511067287	LEFT FRAME		01
02	0511067288	LEFT FRAME		01
03	0501043212	ROD 1.1/4" NC X 3.818" ASSY		01
03A	0501014915	ROD 1.1/4" NC X 3.818"		01
03B	0501010087	1.1/4" NUT		04
04	0511064410	1.5" X 8.1" COUPLING SHAFT		02
05	0503030430	7/16 X 2" PIN LOCK		04
06	0521066515	37,20 X 240 ARTICULATION SHAFT WITH HANDLE		02
07	0503013103	M20 X 2,5 X 90 BOLT		06
08	0503010023	3/4" SPRING WASHER		01
09	0503013390	3/4" UNC BOLT		20
10	0503010014	3/4" NUT		20
11	0501010322	FLAT WASHER		24
12	0503011266	CLAMP 2.1/4" A 3" 57-76		03
13	0501068213	5/8" WRENCH DOUBLE		01
14	0561019421			01

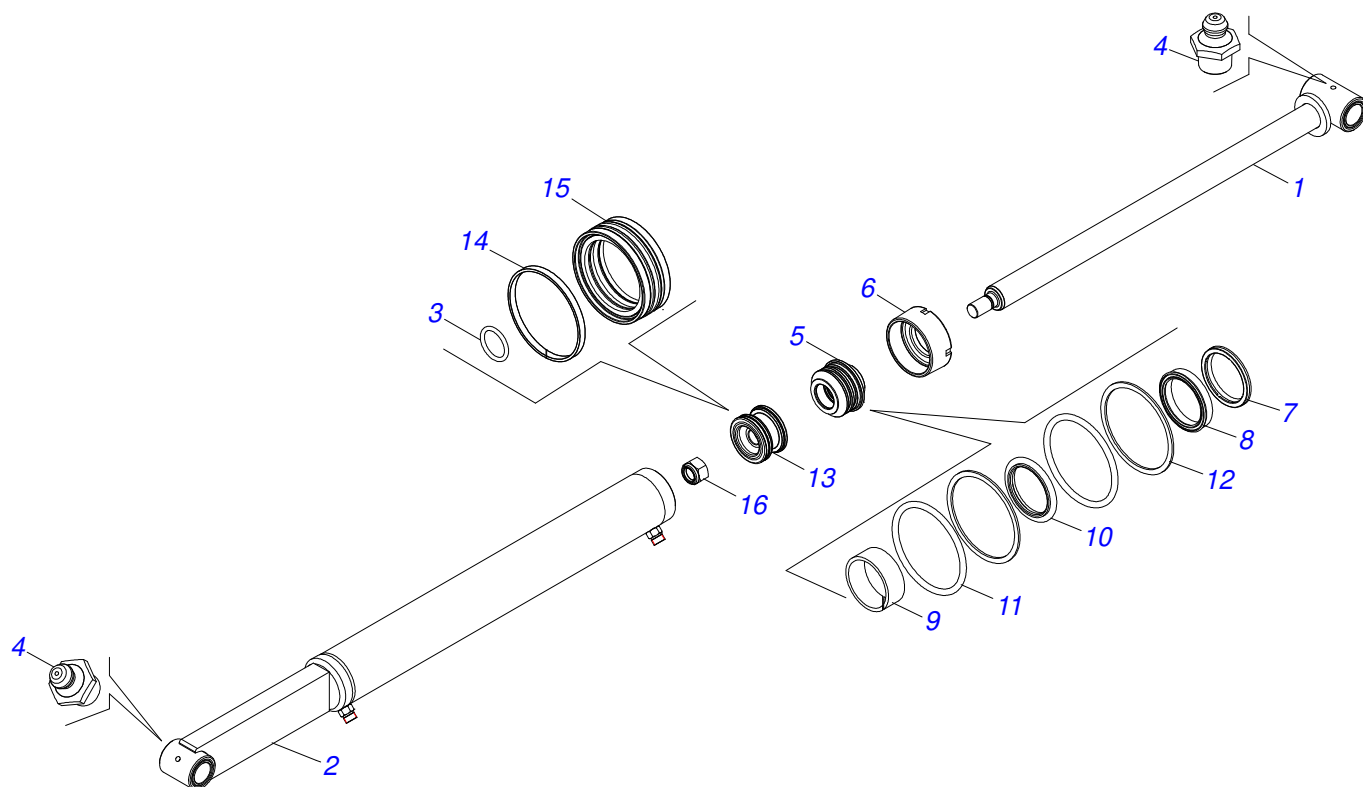
ARTICULATION ASSY



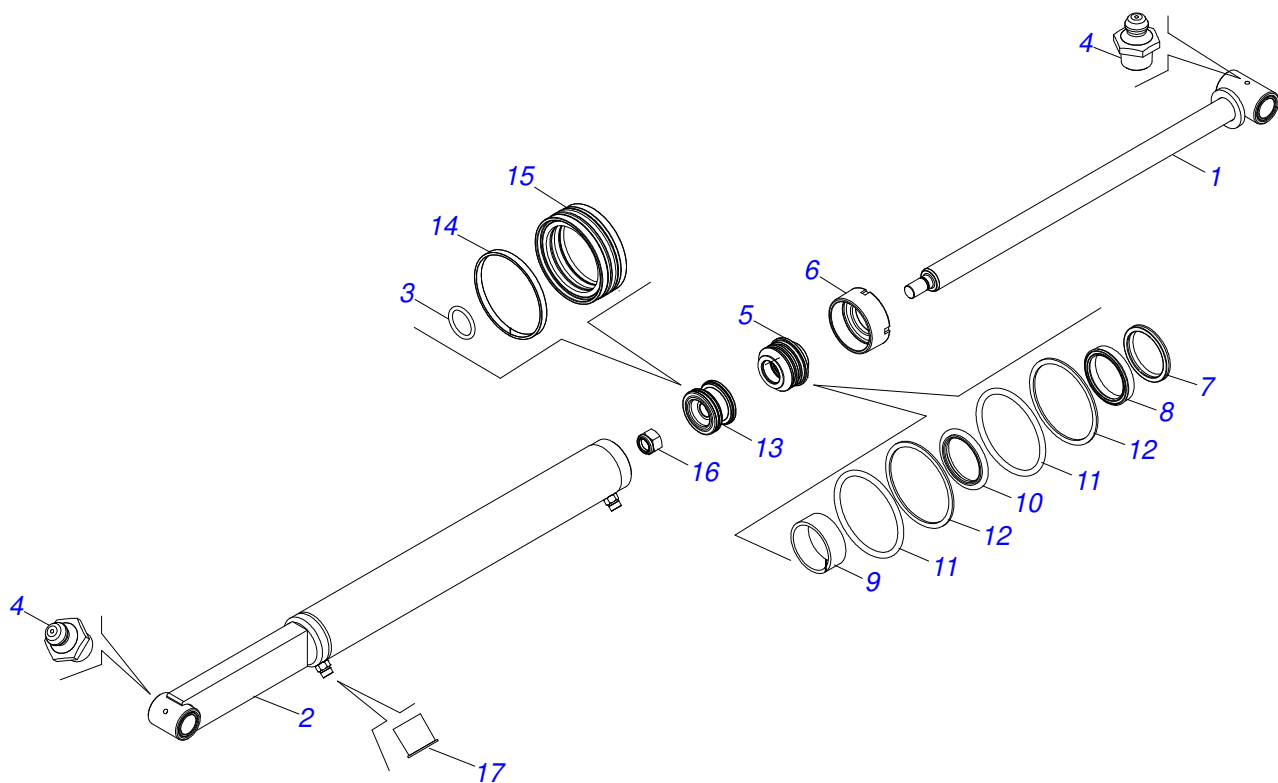
Item	Code	Description	See page	QT
01	0511066088	ARTICULATION		01
02	0521060524	DISARM LEVER		01
03	0503010071	3/16" X 1" COTTERPIN		01
04	0541014962	DISASSEMBLE TRIGGER		01
05	0503032132	COMPRESSION SPRING		01
06	0511066181	ARM DISARM		01
07	0541014964	BODY LEFT ARM DISARM		01
08	0503010849	3/8" X 1-1/2" BOLT		02
09	0503010025	3/8" SPRING WASHER		04
10	0503010026	3/8" NUT		04
11	0541014963	LOCK PIN PCA-T 1750		02
12	0501010096	3/8" X 2" BOLT		02
13	0503010285	2-222 N 3006-9B O'RING		04
14	0503031574	6.9" X 0.8" X 0.1" EXTENSION SPRING		01
15	0503010002	1800 GREASE FITTING		04
16	0503010571	1/4" X 1.1/2 COTTERPIN		01
17	0511017302	FLAT WASHER		01



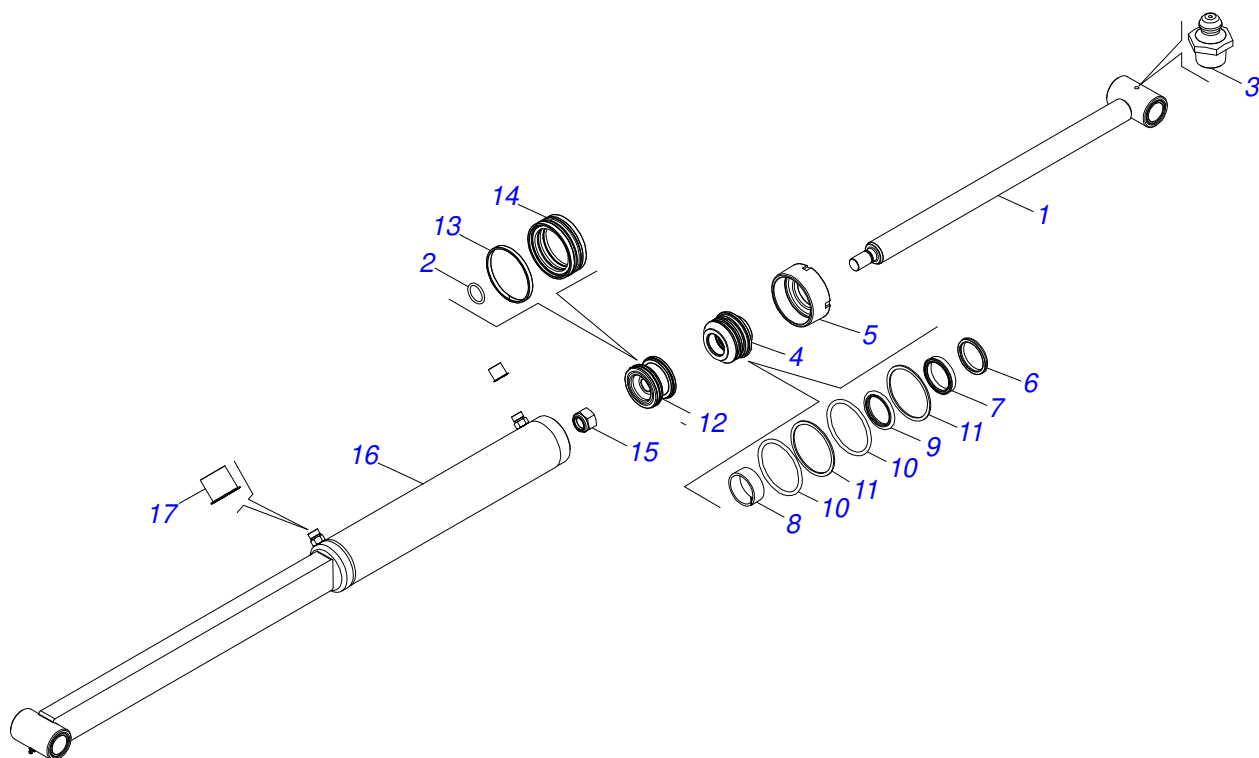
Item	Code	Description	See page	QT
01	0511058245	44,45 X 85,72 X 1519 X 464 HYDRAULIC CYLINDER	9	01
02	0511058248	44,45 X 85,7 X 454 X 1519 HYDRAULIC CYLINDER	8	01
03	0511058247	44,45 X 85,7 X 660 X 1200 HYDRAULIC CYLINDER	7	02
04	0511058246	44,45 X 85,7 X 660 X 1200 HYDRAULIC CYLINDER	6	01
05	0511057810	CONJUNTO VÁLVULA DE SEGURIDAD	10	02
06	0503030964	T CONNECTOR		02
07	0503011030	2-014 N 3006-9B O'RING		22
08	0501053834	MALE QUICK COUPLER WITH CAP - 1/2 NPT	11	04
09	0521067358	PUMP PRESSURE TUBE		01
10	0521067356	DUCTO RETENES OLEO		01
11	0521067355	PUMP PRESSURE TUBE		01
12	0521067354	DUCT SEAL OIL		01
13	0511057097	HOSE KIT MOBILE SUPPORT FULL		01
13A	0501080970	1/2" X 23.6" TR-TC OFS HOSE		02
13B	0501081931	HOSE 1/2 X		04
13C	0501080969	1/2" X 750 TR-TC OFS HOSE		02
13D	0501081584	HOSE 1/2 X		02
13E	0501081084	HOSE		02
14	0501053835	FEMALE QUICK COUPLER	12	02



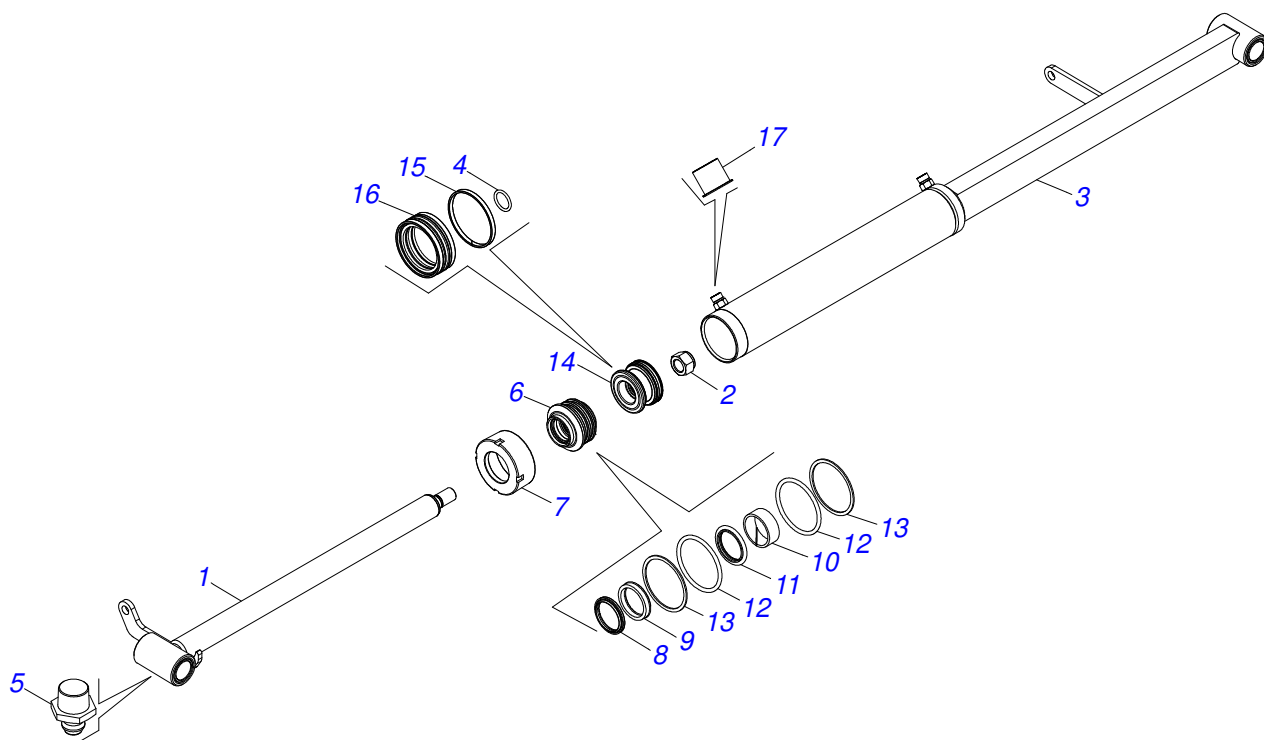
Item	Code	Description	See page	QT
001	0521060389	TURNBUCLE		01
002	0521060388	CYLINDER CASE		01
003	0503010042	2-214 N 3006-9B O'RING		01
004	0503010002	1800 GREASE FITTING		02
005	0571019711	RING SUPPORT		01
006	0571019709	DETACHABLE COVER		01
007	0503010761	D-1750 SCRAPER RING		01
008	0503017937	GASKET		01
009	0503017938	RING GUIDE		01
010	0503017936	RING		01
011	0503017939	2-337 N 3006-9B O' RING		02
012	0503017940	8-337 BACK-UP RING		02
013	0571019710	1.7" X 3.4" PISTON		01
014	0503018144	RING		01
015	0503017935	RING		01
016	0503010063	1" SELF-ALIGNING NUT		01



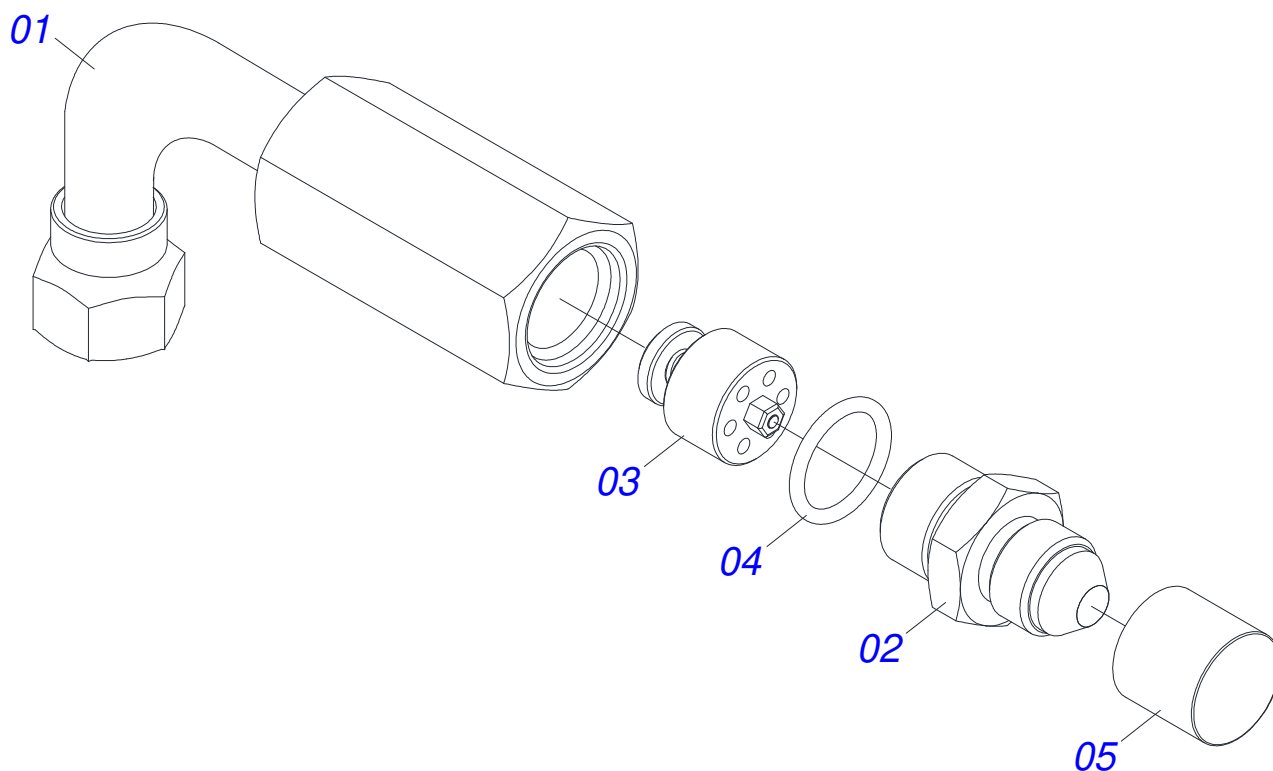
Item	Code	Description	See page	QT
001	0521060389	TURNBUCLE		01
002	0521060376	CYLINDER CASE		01
003	0503010042	2-214 N 3006-9B O'RING		01
004	0503010002	1800 GREASE FITTING		02
005	0571019711	RING SUPPORT		01
006	0571019709	DETACHABLE COVER		01
007	0503010761	D-1750 SCRAPER RING		01
008	0503017937	GASKET		01
009	0503017938	RING GUIDE		01
010	0503017936	RING		01
011	0503017939	2-337 N 3006-9B O' RING		02
012	0503017940	8-337 BACK-UP RING		02
013	0571019710	1.7" X 3.4" PISTON		01
014	0503018144	RING		01
015	0503017935	RING		01
016	0503010063	1" SELF-ALIGNING NUT		01
017	0503030387	PLUG		02



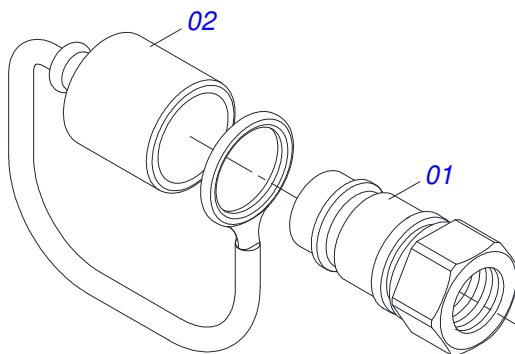
Item	Code	Description	See page	QT
001	0521060390	TURNBUCLE		01
002	0503010042	2-214 N 3006-9B O'RING		01
003	0503010002	1800 GREASE FITTING		02
004	0571019711	RING SUPPORT		01
005	0571019709	DETACHABLE COVER		01
006	0503010761	D-1750 SCRAPER RING		01
007	0503017937	GASKET		01
008	0503017938	RING GUIDE		01
009	0503017936	RING		01
010	0503017939	2-337 N 3006-9B O' RING		02
011	0503017940	8-337 BACK-UP RING		02
012	0571019710	1.7" X 3.4" PISTON		01
013	0503018144	RING		01
014	0503017935	RING		01
015	0503010063	1" SELF-ALIGNING NUT		01
016	0521060391	CYLINDER CASE		01
017	0503030387	PLUG		02



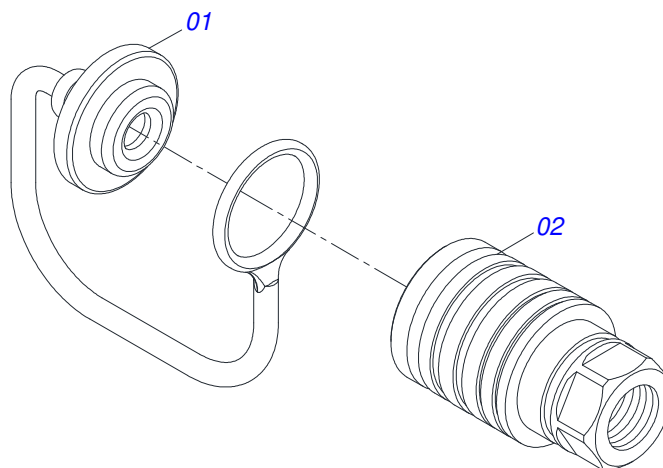
Item	Code	Description	See page	QT
001	0521060393	TURNBUCLE		01
002	0503010063	1" SELF-ALIGNING NUT		01
003	0521060392	TURNBUCLE		01
004	0503010042	2-214 N 3006-9B O'RING		01
005	0503010002	1800 GREASE FITTING		02
006	0571019711	RING SUPPORT		01
007	0571019709	DETACHABLE COVER		01
008	0503010761	D-1750 SCRAPER RING		01
009	0503017937	GASKET		01
010	0503017938	RING GUIDE		01
011	0503017936	RING		01
012	0503017939	2-337 N 3006-9B O' RING		02
013	0503017940	8-337 BACK-UP RING		02
014	0571019710	1.7" X 3.4" PISTON		01
015	0503018144	RING		01
016	0503017935	RING		01
017	0503030387	PLUG		02



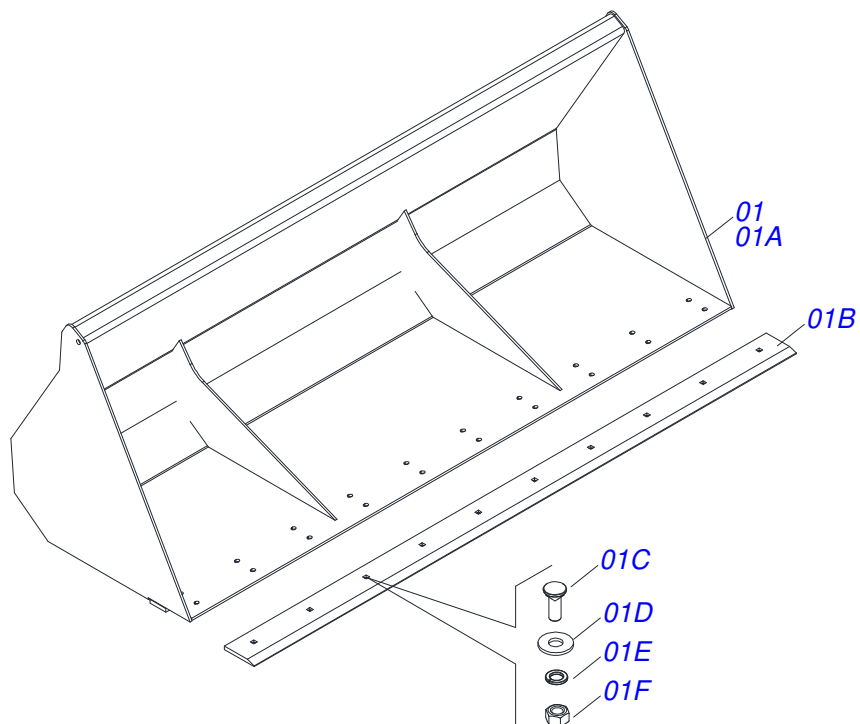
Item	Code	Description	See page	QT
001	0521067686	ADAPTER ASSY		01
002	0581014051	1/2" NIPPLE		01
003	0503016854	VALVE ASSY		01
004	0503010045	O'RING		01
005	0503030385	CYLINDER PLUG N-002		01



Item	Code	Description	See page	QT
01	0503011627	MALE QUICK COUPLER AGR 1/2 NPT		01
02	0503011882	MALE QUICK COUPLER CAP		01



Item	Code	Description	See page	QT
01	0503011883	QUICK CONNECTION COVER		01
02	0503011628	FEMALE QUICK COUPLER		01



Item	Code	Description	See page	QT
001	0511052053	BUCKET		01
001A	0511066094	PCA-T 1750 BUCKET		01
001B	0561011586	SCRAPER		01
001C	0503012956	1/2" X 1-1/2" BOLT		10
001D	0511017302	FLAT WASHER		10
001E	0503011440	SPRING WASHER		10
001F	0503012682	1/2" BSW NUT		10



www.marchesan.com.br



Technical Publications | Elaboration and Revision
ALESSANDRA PATRICIA KAWAHARA CARRILI