

PARTS CATALOG

FRONT LOADER

PD MF 296-4 S-0190

Code: 0501091393



Series: S-0190

Review: JANEIRO/90

ORIGINAL PARTS
TATU

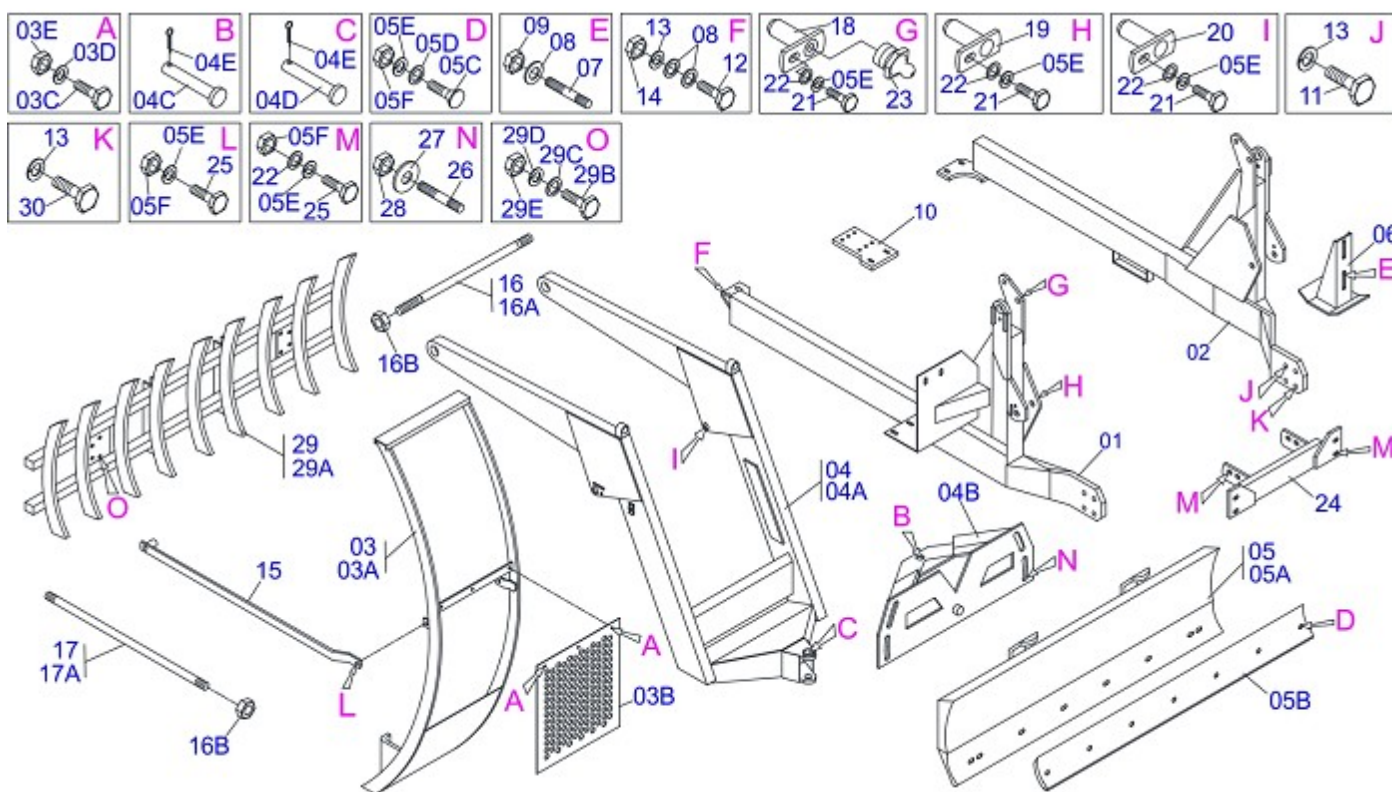


INDEX

0909091064	FRONT LOADER MF 296-4 S-0190	1
0909091065	HYDRAULIC CIRCUIT MF 296-4	2
0909091178	HYDRAULIC CYLINDER	3

ATTENTION: *IMPORTANT*

MARCHESAN RESERVES THE RIGHT AT ANY TIME TO MAKE IMPROVEMENTS IN THE DESIGN, MATERIAL OR SPECIFICATIONS OF MACHINERY, EQUIPMENT OR PARTS WITHOUT THEREBY BECOMING LIABLE TO MAKE SIMILAR CHANGES IN MACHINERY, EQUIPMENT OR PARTS PREVIOUSLY SOLD.



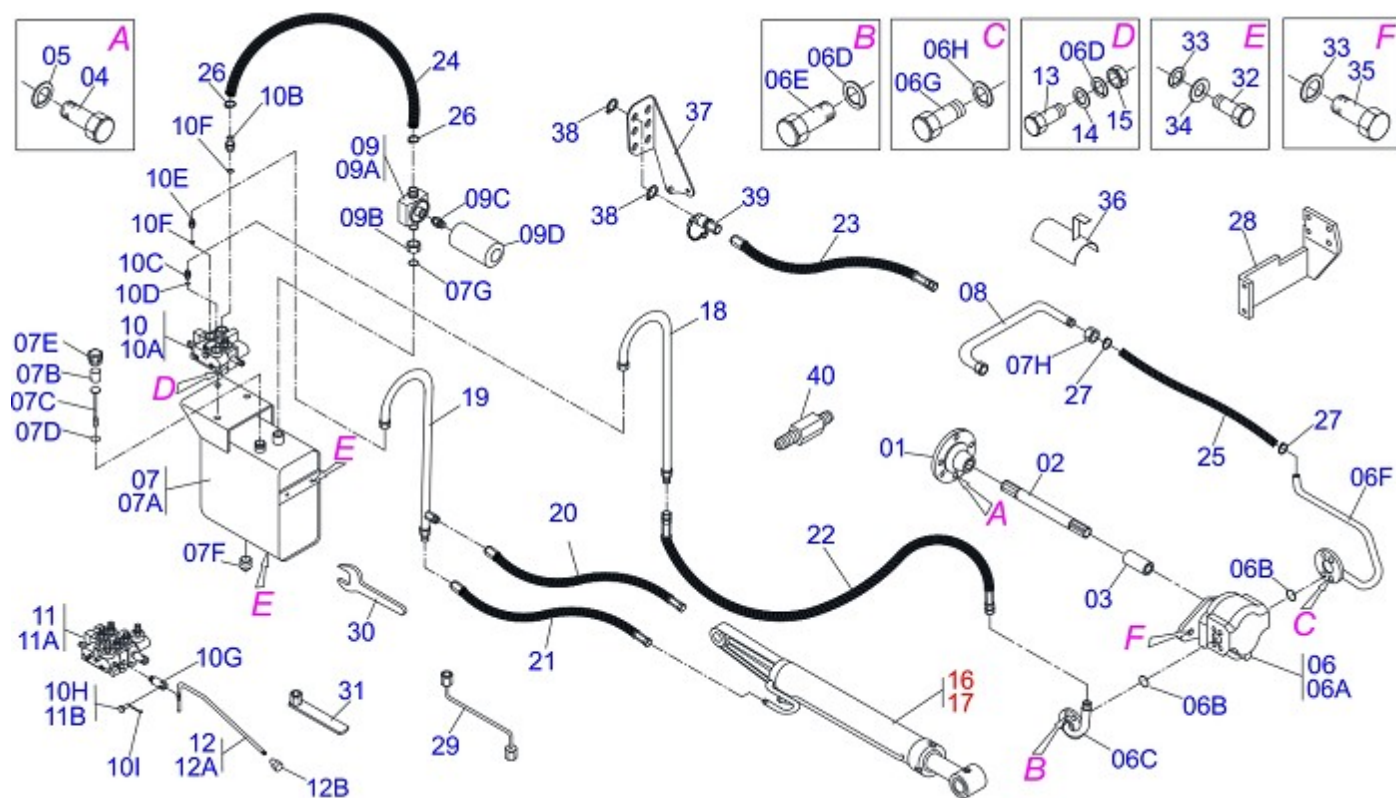
Item	Code	Description	QT
01	0501063891	RIGHT FRAME	01
02	0501064218	LEFT FRAME	01
03	0501047978		01
03A	0501069169		01
03B	0501014214		01
03C	0503010751	3/8" X 1.1/4" HEX BOLT G.5	03
03D	0501010984	FLAT WASHER	03
03E	0503010026	3/8" NUT	03
04	0501042513		01
04A	0501063701		01
04B	0501063368	REGULATOR SUPPORT	01
04C	0521010618	1.4" X 8.6" COUPLING SHAFT	01
04D	0521010612	1.4" X 3.5" COUPLING SHAFT	01
04E	0503010010	1/4" X 2.1/2" COTTERPIN	02
05	0501047710	2600MM BLADE SUPPORT ASSY	01
05A	0501068001	2590MM BLADE SUPPORT ASSY	01
05B	0622360011	2600 SCRAPER REVERSIBLE	01
05C	0501012240	5/8" X 2-1/2" BOLT	08
05D	0501010301	FLAT WASHER	20
05E	0503010027	5/8" SPRING WASHER	18
05F	0503010013	5/8" NUT	20
06	0501063411	ESTABILIZER BRACKET	02
07	0501010571	3/4 NC X 3/4 NF X 56 PRISONER	04
08	0501010322	FLAT WASHER	04
09	0503010335	3/4" NUT	04
10	0501014778	FRAME BRACKET	02
11	0501010098	3/4" X 2" BOLT	06
12	0501010500	3/4" X 3" BOLT	04
13	0503010023	3/4" SPRING WASHER	12
14	0503010014	3/4" NUT	04
15	0501062748		02
16	0501041652	1.1/4" X 31.88" ROD ASSY	01
16A	0501014916	1.1/4" X 31.88" ROD	01



FRONT LOADER MF 296-4 S-0190

0909091064

Item	Code	Description	QT
16B	0501041856	1.1/4" NC X 1430 ROD	02
17A	0501014855	1.1/4" X 1430 ROD	01
18	0501063958	1.5" X 4.3" PIVOT SHAFT LOCK	02
19	0501063959	PIVOT SHAFT	02
20	0501063751	1.5" X 5.5" PIVOT SHAFT	02
21	0503010962	5/8" X 1-1/4" BOLT	06
22	0501012140	FLAT WASHER	14
23	0503010002	GREASE FITTING	02
24	0501062883		01
25	0501010100	5/8" X 2" BOLT	10
26	0501010572	1 UNC X 1 UNS X 76 PRISONER	04
27	0501010574	FLAT WASHER	04
28	0503010340	1" UNF NUT	04
29	0108010002	9 TEETH ROOTH RAKER	02
29A	0501060958	9 TEETH ROOTH RAKER	01
29B	0501010276	1" X 3" BOLT	04
29C	0501010623	FLAT WASHER	04
29D	0503010012	1" SPRING WASHER	04
29E	0501010059	1" NUT HEX	04
30	0503010797	3/4" X 4" BOLT	02



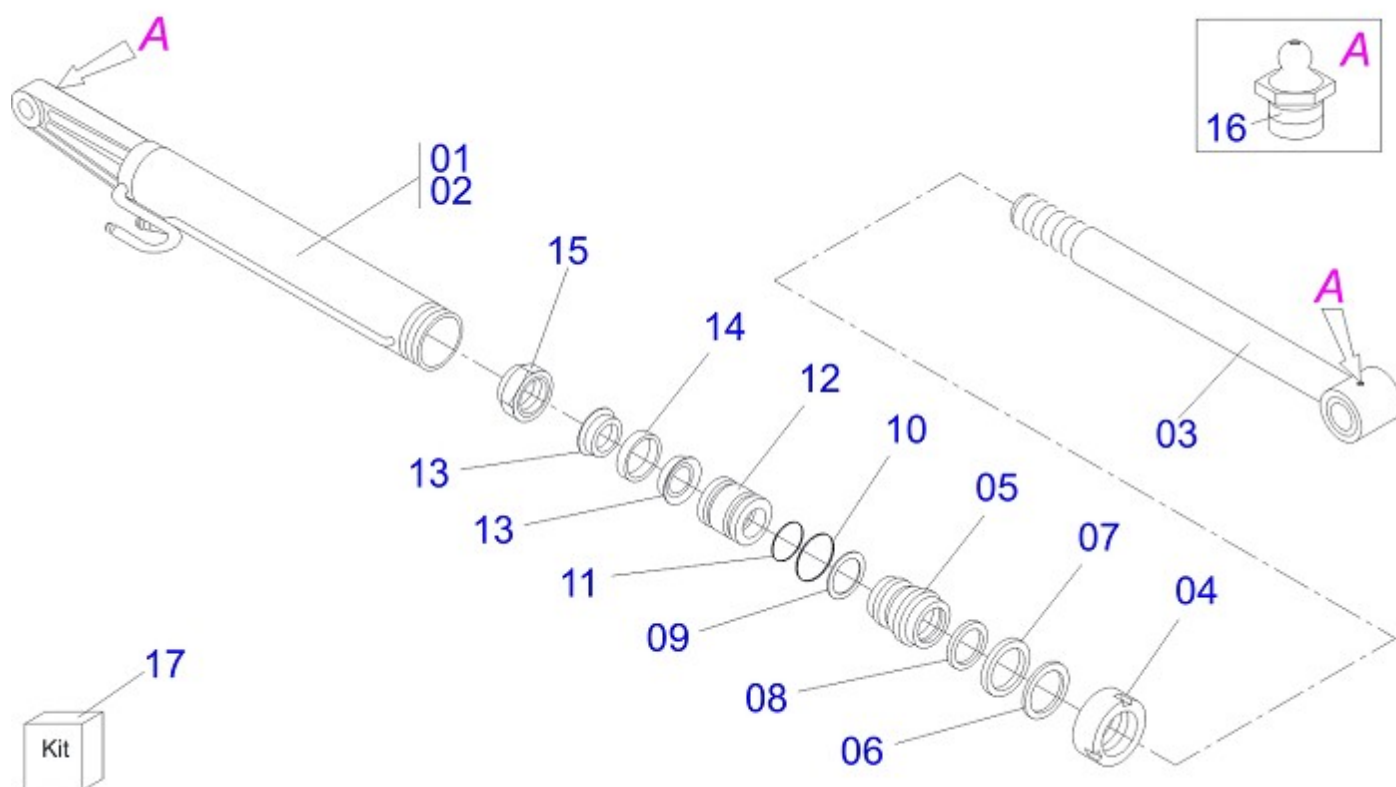
Item	Code	Description	CS	CD
01	0503050033	FLANGE COUPLING	01	01
02	0501068940	435 X 1.1/8 STRIATED X 1.1/8-30G AXLE	01	01
03	0503030838	1-1/8" X 2.4" SLEEVE	01	01
04	0501010836	5/16" X 1-3/4" BOLT	06	06
05	0503010179	5/16" SPRING WASHER	06	06
06	0501052129	PUMP WITH TUBE	01	01
06A	0503060045	40L 1/2" PUMP	01	01
06B	0503010173	2-220 N 3006-9B O'RING	02	02
06C	0501069661	PUMP PRESSURE TUBE	01	01
06D	0503010025	3/8" SPRING WHASHER	09	09
06E	0503010237	3/8" X 1" HEX BOLT G5	04	04
06F	0501069536	PUMP SUCTION TUBE	01	01
06G	0503010355	7/16" X 1" BOLT	04	04
06H	0503010180	7/16" SPRING WASHER	04	04
07	0501047808	RESERVOIR OIL ASSY	01	01
07A	0501068882	RESERVOIR OIL	01	01
07B	0503030044	FILTERING ELEMENT	01	01
07C	0501060975	OIL GAGE	01	01
07D	0503010185	2-221 N 3006-9B O'RING	01	01
07E	0502020472	TANK COVER BODY	01	01
07F	0503031604	1/2" BSP PLUG	01	01
07G	0503010046	2-216 N 3006-9B O'RING	01	01
07H	0501016309	2" 1X 2.5/16" NUT	01	01
08	0501063383	TANK OUTER TUBE	01	01
09	0501041108	RETURNING FILTER ASSY	01	01
09A	0502050002	RETURNING FILTER HEAD	01	01
09B	0501010594	1" NUT HEX	01	01
09C	0501010595	1" NF NIPPLE	01	01
09D	0503010183	RETURNING FILTER	01	01
10	0501040871	1/2" COMMAND SIMPLE ASSY	01	
10A	0503060080	1/2" COMMAND SIMPLE	01	
10B	0501010591	HOSE NIPPLE	01	01
10C	0501010589	1-1/16 NIPPLE	01	01



HYDRAULIC CIRCUIT MF 296-4

0909091065

Item	Code	Description	CS	CD
10D	0503010602	2-211 N 3006-9B O'RING	02	02
10E	0501010590	7/8" REDUCTION NIPPLE	02	04
10F	0503010045	2-116 N 3006-9B O'RING	02	04
10G	0503030347	UPPER LEVER ASSY (SAUER DANFOSS)	01	02
10H	0501010593	0.3" X 1" X 1/2" X 1.1 PIN	01	
10I	0503010140	1/8" X 3/4" COTTERPIN	01	02
11	0501040873	1/2" DOUBLE COMMAND	01	
11A	0503060081	1/2" DOUBLE COMMAND	01	
11B	0521010532	0.3" X 0.9" COUPLING SHAFT	02	
12	0501047852	CONTROL VALVE (PD V 118 SHT)	01	02
12A	0501069069	CONTROL VALVE (V 985-4/AX 4.75)	01	01
12B	0503030878	LEVER CRANK	01	01
13	0501010080	3/8" X 1-1/2" BOLT	03	03
14	0501010984	FLAT WASHER	03	03
15	0503010026	3/8" NUT	03	03
16	0501044366	44,45 X 85,7 X 955 HYDR CYLINDER	01	01
17	0501044367	HYDRAULIC CYLINDER	01	01
18	0501064350	VALVE PRESSURE TUBE	01	01
19	0501068945	CURVED CONNECTION	02	02
20	0501080323		02	02
21	0501080033		02	02
22	0501080334	HOSE ASSY 3/4 X 2400 TR-TR	01	01
23	0501080075	1/2 X 2400 TR-TM HOSE ASSY	02	
24	0501013822	1" X 25.6" AB-AB HOSE	01	01
25	0501013456		01	01
26	0503010184	1-1/4" TO 1-1/2" CLAMP	02	02
27	0503010243	1-1/2" TO 2" CLAMP	02	02
28	0501064219		01	01
29	0501068213	5/8" WRENCH DOUBLE	01	01
30	0511010153	2-5/16" FIXED WRENCH	01	01
31	0501061617	1" WRENCH CYLINDRICAL HEX	01	01
32	0501010161	1/2" X 1-1/4" BOLT	04	04
33	0503010019	1/2" SPRING WASHER	06	06
34	0511017302	FLAT WASHER	04	04
35	0503010920	1/2" X 1.1/2" BOLT	02	02
36	0511064563	HOSE PROTECTION	01	01
37	0511019730	QUICK COUPLING SUPPORT	01	
38	0503010217	501040 CLAMPING RING (FOR AXLE)	04	
39	0501053835	FEMALE QUICK COUPLER	02	
40	0521014428	EXTENSION HEX	02	02



Item	Code	Description	
00	0501044366	44,45 X 85,7 X 955 HYDR CYLINDER	
00A	0501044367	HYDRAULIC CYLINDER	01
01	0501063606	RH 85,7 X 483 CYLINDER CASE	01
02	0501063607	LH 85,7 X 483 CYLINDER CASE	01
03	0501068012	44,45 X 682 TURNBUCLE	01
04	0502010993	DETACHABLE COVER	01
05	0502010781	RING SUPPORT	01
06	0503010761	D-1750 SCRAPER RING	01
07	0503010990	GASKET	01
08	0503010949	W2-2000-500 PK RING G.E	01
09	0503011060	8-336 BACK-UP RING	01
10	0503010976	2-336 N 3006-9B O'RING	01
11	0503010042	2-214 N 3006-9B O'RING	01
12	0502010843	1.8" X 3.4" PISTON	01
13	0503010170	PACKING 3120 2750	02
14	0503010948	W4-3346-590 PK RING G.E	01
15	0503010063	1" SELF-ALIGNING NUT	01
16	0503010002	GREASE FITTING	02
17	0501031796	HYDRAULIC CYLINDER REPAIR KIT	



MARCHESAN

MARCHESAN IMPLEMENTOS E MÁQUINAS AGRÍCOLAS TATU S.A.

AV. Marchesan, 1979 - Post office box, 131 - CEP 15994-900 - Matão - SP - Brazil

Phone +55 16.3382-8282

(FAX Parts) + 55 16.3382. 8297 - (Export) + 55 16.3382.1003

e.mail: tatu@marchesan.com.br www.marchesan.com.br

*Drafting and Illustration = GASPARI
e.mail = jgaspari@marchesan.com.br*

**ORIGINAL PARTS
TATU**



MARCHESAN