

# PARTS CATALOG

## FRONT LOADER

PD MF 292-4 S-0790

Code: 0501091392



Series: S-0790

Review: JUNHO/90

ORIGINAL PARTS  
TATU

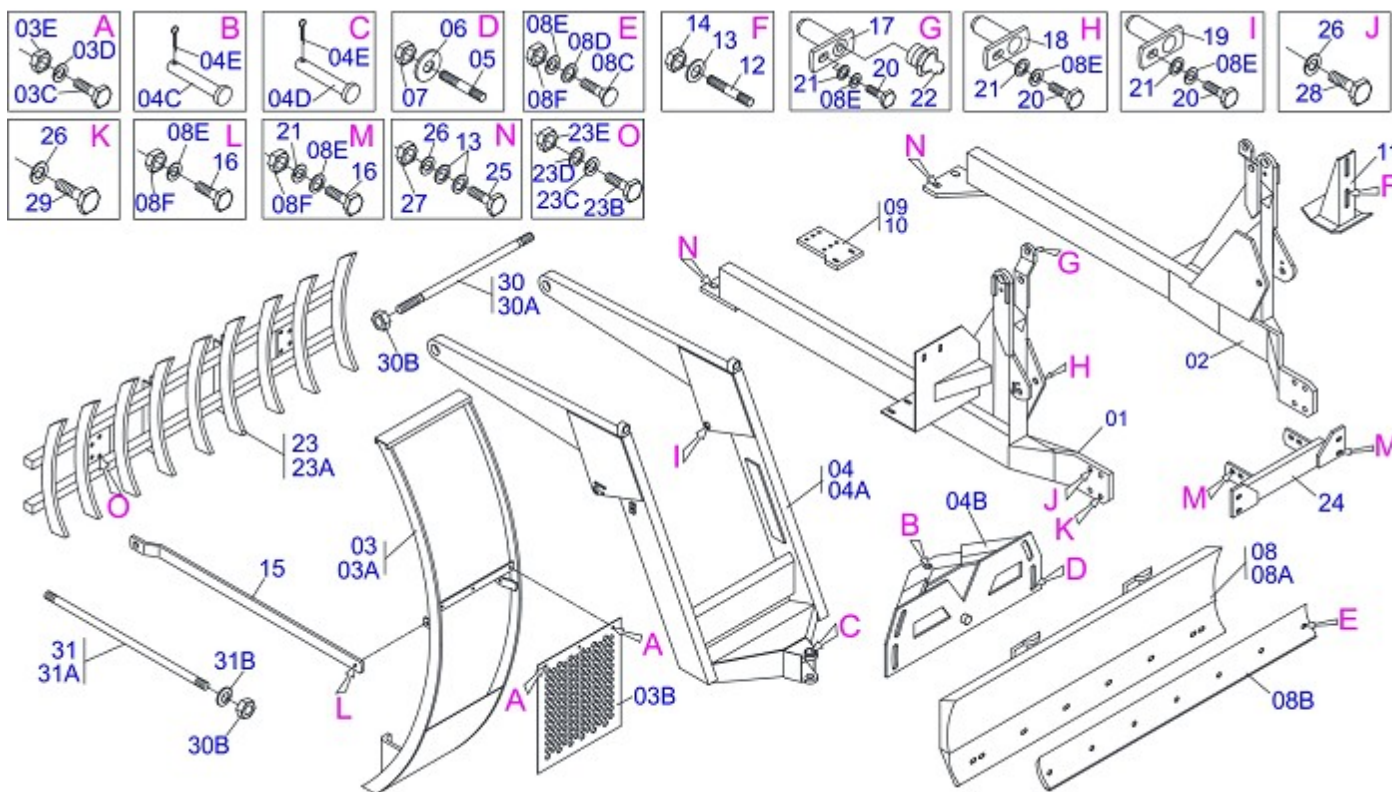


# INDEX

0909091239	FRONT LOADER MF 292-4 S-0790	.....	1
0909091242	HYDRAULIC CIRCUIT	.....	2
0909090247	HYDRAULIC CYLINDER	.....	3

**ATTENTION: IMPORTANT**

MARCHESAN RESERVES THE RIGHT AT ANY TIME TO MAKE IMPROVEMENTS IN THE DESIGN, MATERIAL OR SPECIFICATIONS OF MACHINERY, EQUIPMENT OR PARTS WITHOUT THEREBY BECOMING LIABLE TO MAKE SIMILAR CHANGES IN MACHINERY, EQUIPMENT OR PARTS PREVIOUSLY SOLD.



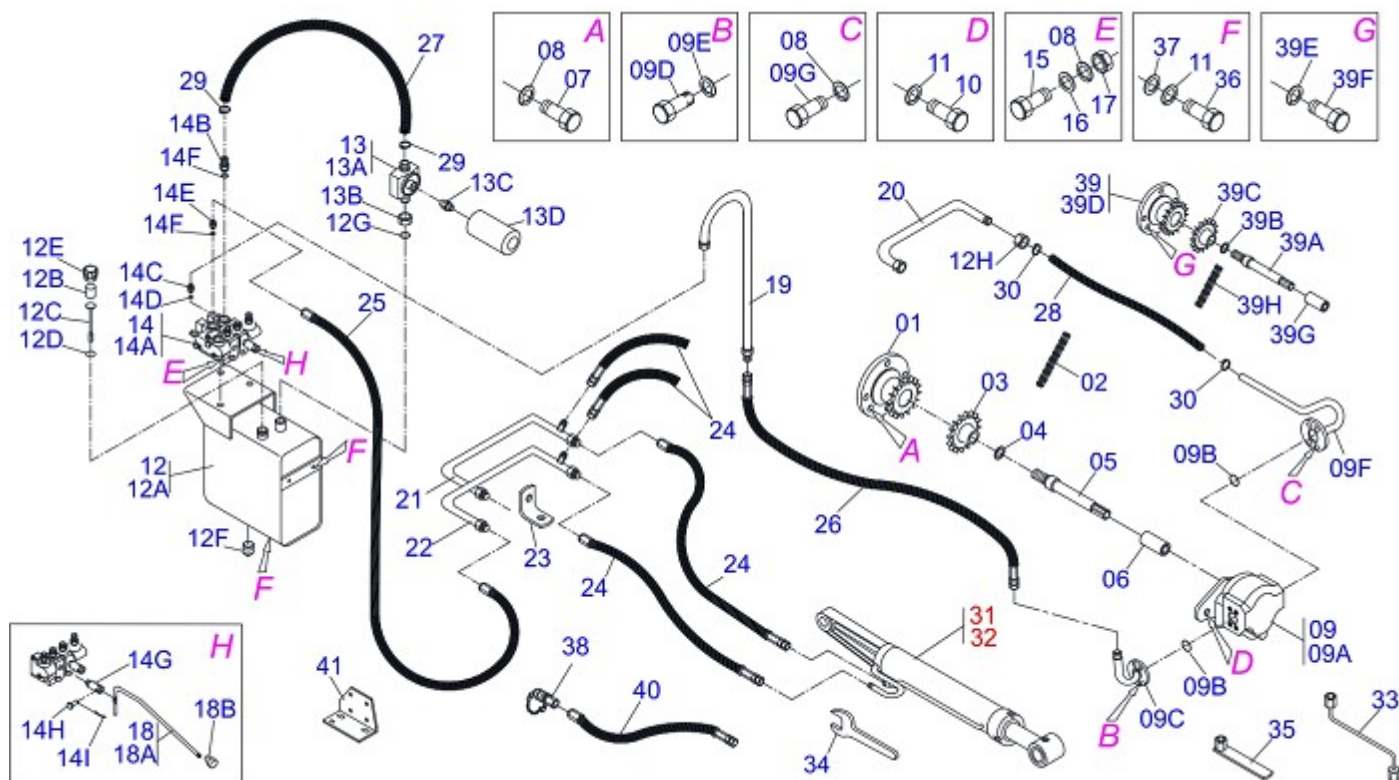
Item	Code	Description	QT
01	0501064528	RIGHT FRAME	01
02	0501064529	LEFT FRAME	01
03	0501047978		01
03A	0501069169		01
03B	0501062414		01
03C	0503010751	3/8" X 1.1/4" HEX BOLT G.5	03
03D	0501010984	FLAT WASHER	03
03E	0503010026	3/8" NUT	03
04	0501042513		01
04A	0501063701		01
04B	0501062637	5/8" REGULATOR SUPPORT	01
04C	0521010618	1.4" X 8.6" COUPLING SHAFT	01
04D	0501010612	CONTROL VALVE LEVER	01
04E	0503010010	1/4" X 2.1/2" COTTERPIN	02
05	0501010572	1 UNC X 1 UNS X 76 PRISONER	04
06	0501010574	FLAT WASHER	04
07	0503010340	1" UNF NUT	04
08	0501047708	2400 BLADE SUPPORT	01
08A	0501067999	2390 BLADE SUPPORT	01
08B	0622360016	94.5" SCRAPER REVERSIBLE	01
08C	0501012240	5/8" X 2-1/2" BOLT	07
08D	0501010301	FLAT WASHER	07
08E	0503010027	5/8" SPRING WASHER	23
08F	0503010013	5/8" NUT	17
09	0501064689		01
10	0501064690		01
11	0501063411	ESTABILIZER BRACKET	02
12	0501010571	3/4 NC X 3/4 NF X 56 PRISONER	04
13	0501010322	FLAT WASHER	12
14	0503010335	3/4" NUT	04
15	0501062748		02
16	0501010100	5/8" X 2" BOLT	10
17	0501063958	1.5" X 4.3" PIVOT SHAFT LOCK	02



## FRONT LOADER MF 292-4 S-0790

0909091239

Item	Code	Description	QT
18	0501063959	PIVOT SHAFT	02
19	0501063751	1.5" X 5.5" PIVOT SHAFT	02
20	0503010362	1/8" X 1.1/4" COTTERPIN	06
21	0501012140	FLAT WASHER	14
22	0503010002	GREASE FITTING	02
23	0108010002	9 TEETH ROOTH RAKER	02
23A	0501060958	9 TEETH ROOTH RAKER	01
23B	0501010276	1" X 3" BOLT	04
23C	0501010623	FLAT WASHER	04
23D	0503010012	1" SPRING WASHER	04
23E	0501010059	1" NUT HEX	04
24	0501062883		01
25	0501010125	3/4" X 2-1/2" BOLT	04
26	0503010023	3/4" SPRING WASHER	12
27	0503010014	3/4" NUT	04
28	0501010098	3/4" X 2" BOLT	06
29	0503010797	3/4" X 4" BOLT	02
30	0501040954	1.1/4" NC X 760 ROD	01
30A	0501010628	1.1/4" X 760 ROD	01
30B	0501010087	1.1/4" UNC NUT	10
31	0501041856	1.1/4" NC X 1430 ROD	02
31A	0501014855	1.1/4" X 1430 ROD	01
31B	0502012180	CONICAL SPRING WASHER	02



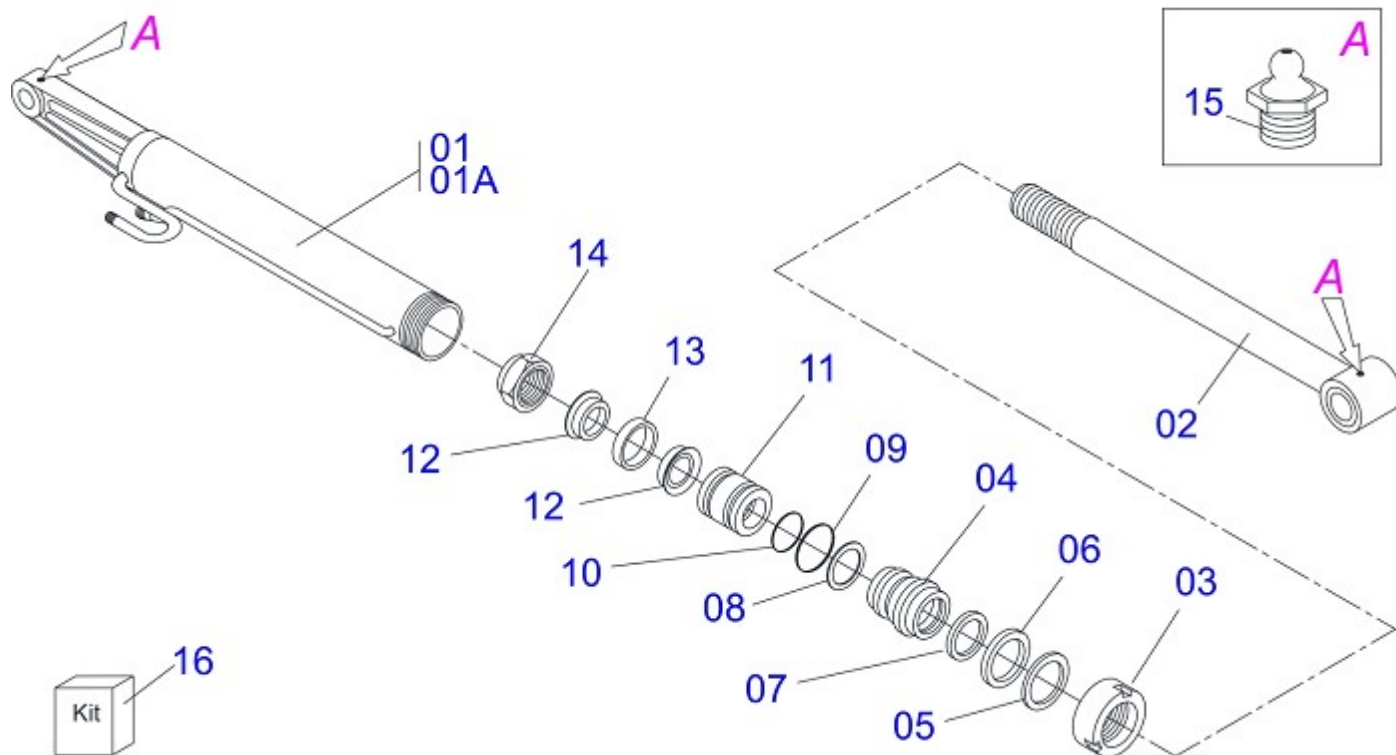
Item	Code	Description	QT
01	0503050029		01
02	0503010455	50-2 CHAIN X 15 LINK + MENDING	01
03	0503050075	GEAR 16Z	01
04	0501010890	FLANGE WASHER	01
05	0503030453	376 X 7/8 UNC X 7/8 STRIATED AXLE	01
06	0503030046		01
07	0503010175	3/8" X 1-1/4" BOLT	06
08	0503010025	3/8" SPRING WHASHER	13
09	0501041484	PUMP GEAR ASSY	01
09A	0503060045	40L 1/2" PUMP	01
09B	0503010173	2-220 N 3006-9B O'RING	02
09C	0501061313	PUMP SUCTION TUBE	01
09D	0501011179	7/16" X 1" BOLT	04
09E	0503030101	390 X 7/8 ESTR X 1.1/8 STRIATED AXLE	04
09F	0501061315	PUMP PRESSURE TUBE	01
09G	0501010112	3/8" X 1" BOLT	04
10	0503010920	1/2" X 1.1/2" BOLT	02
11	0503010019	1/2" SPRING WASHER	06
12	0501047808	RESERVOIR OIL ASSY	01
12A	0501068882	RESERVOIR OIL	01
12B	0503030044	FILTERING ELEMENT	01
12C	0501060975	OIL GAGE	01
12D	0503010185	2-221 N 3006-9B O'RING	01
12E	0502020472	TANK COVER BODY	01
12F	0503031604	1/2" BSP PLUG	01
12G	0503010046	2-216 N 3006-9B O'RING	01
12H	0501016309	2" 1X 2.5/16" NUT	01
13	0501041108	RETURNING FILTER ASSY	01
13A	0502050002	RETURNING FILTER HEAD	01
13B	0501010594	1" NUT HEX	01
13C	0501010595	1" NF NIPPLE	01
13D	0503010183	RETURNING FILTER	01
14	0501040873	1/2" DOUBLE COMMAND	01



## HYDRAULIC CIRCUIT

0909091242

Item	Code	Description	QT
14A	0503060081	1/2" DOUBLE COMMAND	01
14B	0501010591	HOSE NIPPLE	01
14C	0501010589	1-1/16 NIPPLE	01
14D	0503010602	2-211 N 3006-9B O'RING	02
14E	0501010590	7/8" REDUCTION NIPPLE	04
14F	0503010045	2-116 N 3006-9B O'RING	04
14G	0503030347	UPPER LEVER ASSY (SAUER DANFOSS)	02
14H	0521010532	0.3" X 0.9" COUPLING SHAFT	02
14I	0503010140	1/8" X 3/4" COTTERPIN	02
15	0501010080	3/8" X 1-1/2" BOLT	03
16	0501010984	FLAT WASHER	03
17	0503010026	3/8" NUT	03
18	0501041196	CONTROL LEVER ASSY	02
18A	0501067556	CONTROL VALVE ( V-985-4)	01
18B	0503030878	LEVER CRANK	01
19	0501064350	VALVE PRESSURE TUBE	01
20	0501063383	TANK OUTER TUBE	01
21	0501062749	INNER OIL TUBE	01
22	0501062750	INNER OIL TUBE	01
23	0501041170		01
24	0501080020	1/2" X 850 TR-TR HOSE	04
25	0501080022	1/2" X 43" TR-TR HOSE ASSY	02
26	0501080252		01
27	0501013822	1" X 25.6" AB-AB HOSE	01
28	0501013747		01
29	0503010184	1-1/4" TO 1-1/2" CLAMP	02
30	0503010243	1-1/2" TO 2" CLAMP	03
31	0501044368	HYDRAULIC CYLINDER	01
32	0501044369	HYDRAULIC CYLINDER	01
33	0501068213	5/8" WRENCH DOUBLE	01
34	0511010153	2-5/16" FIXED WRENCH	01
35	0501061617	1" WRENCH CYLINDRICAL HEX	01
36	0501010161	1/2" X 1-1/4" BOLT	04
37	0511017302	FLAT WASHER	06
38	0501053835	FEMALE QUICK COUPLER	02
39	0501042211	COUPLING ASSY	01
40	0501080075	1/2 X 2400 TR-TM HOSE ASSY	02
41	0501014689		01



Item	Code	Description	
00	0501044368	HYDRAULIC CYLINDER	
00A	0501044369	HYDRAULIC CYLINDER	
01	0501063606	RH 85,7 X 483 CYLINDER CASE	01
01A	0501063607	LH 85,7 X 483 CYLINDER CASE	01
02	0501069048	44,45 X 648 TURNBUCLE	01
03	0502010993	DETACHABLE COVER	01
04	0502010781	RING SUPPORT	01
05	0503010761	D-1750 SCRAPER RING	01
06	0503010990	GASKET	01
07	0503010949	W2-2000-500 PK RING G.E	01
08	0503011060	8-336 BACK-UP RING	01
09	0503010976	2-336 N 3006-9B O'RING	01
10	0503010042	2-214 N 3006-9B O'RING	01
11	0502010843	1.8" X 3.4" PISTON	01
12	0503010170	PACKING 3120 2750	02
13	0503010948	W4-3346-590 PK RING G.E	01
14	0503010063	1" SELF-ALIGNING NUT	01
15	0503010002	GREASE FITTING	02
16	0501031796	HYDRAULIC CYLINDER REPAIR KIT	







**MARCHESAN**

**MARCHESAN IMPLEMENTOS E MÁQUINAS AGRÍCOLAS TATU S.A.**

AV. Marchesan, 1979 - Post office box, 131 - CEP 15994-900 - Matão - SP - Brazil

Phone +55 16.3382-8282

(FAX Parts) + 55 16.3382. 8297 - (Export) + 55 16.3382.1003

e.mail: [tatu@marchesan.com.br](mailto:tatu@marchesan.com.br)    [www.marchesan.com.br](http://www.marchesan.com.br)

*Drafting and Illustration = GASPARI  
e.mail = [jgaspari@marchesan.com.br](mailto:jgaspari@marchesan.com.br)*

**ORIGINAL PARTS  
TATU**



**MARCHESAN**