

PARTS CATALOG

FRONT LOADER

PD MF 265 A 283-4 S-0590

Code: 0501091390



Series: S-0590

Review: MAIO/90

ORIGINAL PARTS
TATU

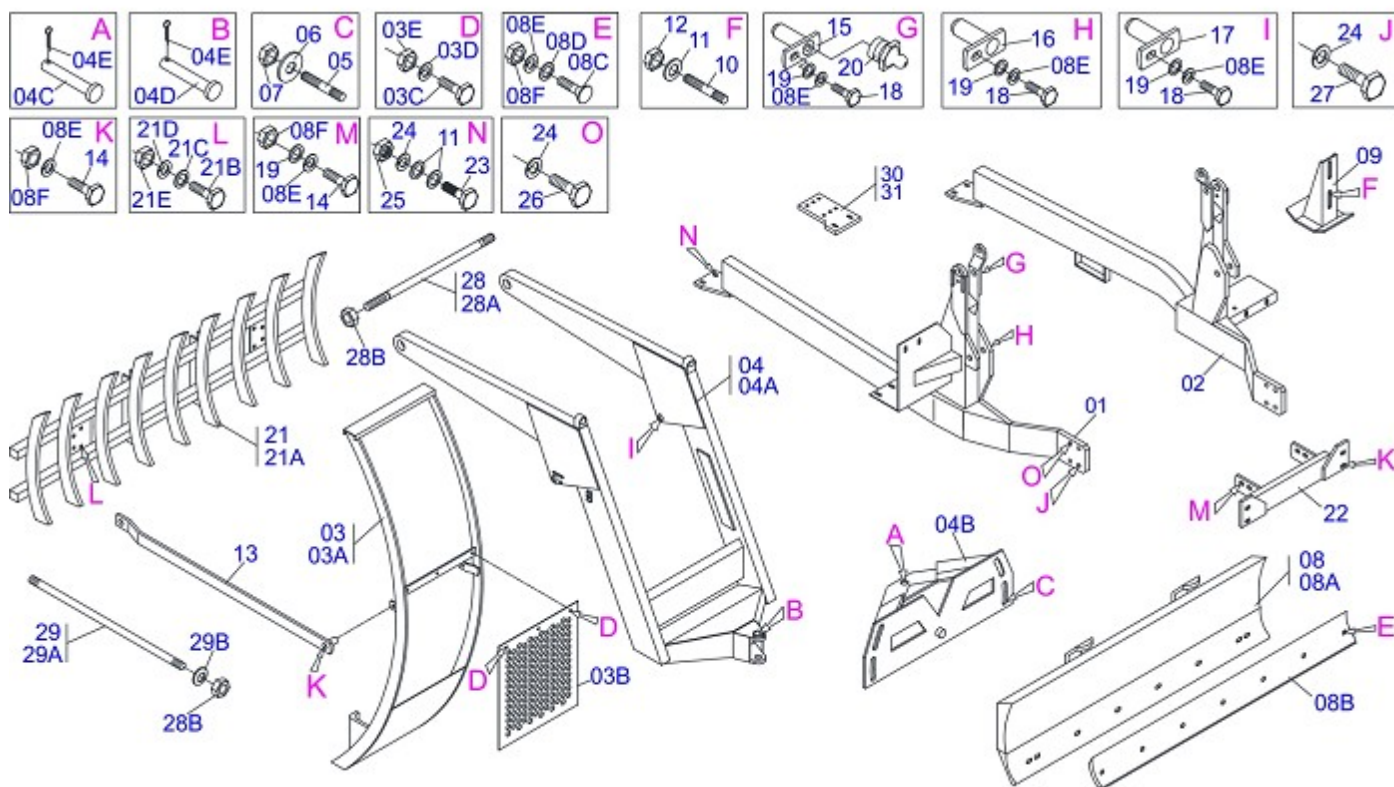


INDEX

0909091230	FRONT LOADER MF 265A283-4 S-0590	1
0909091201	HYDRAULIC CIRCUIT	2
0909091232	HYDRAULIC CIRCUIT	3

ATTENTION: IMPORTANT

MARCHESAN RESERVES THE RIGHT AT ANY TIME TO MAKE IMPROVEMENTS IN THE DESIGN, MATERIAL OR SPECIFICATIONS OF MACHINERY, EQUIPMENT OR PARTS WITHOUT THEREBY BECOMING LIABLE TO MAKE SIMILAR CHANGES IN MACHINERY, EQUIPMENT OR PARTS PREVIOUSLY SOLD.



Item	Code	Description	SHT BT
01	0501064347	RIGHT FRAME	01
02	0501064348	LEFT FRAME	01 01
03	0501047978		01 01
03A	0501069169		01 01
03B	0501014214		01 01
03C	0503010751	3/8" X 1.1/4" HEX BOLT G.5	03 03
03D	0501010984	FLAT WASHER	03 03
03E	0503010026	3/8" NUT	03 03
04	0501042513		01 01
04A	0501063701		01 01
04B	0501062637	5/8" REGULATOR SUPPORT	01 01
04C	0521010618	1.4" X 8.6" COUPLING SHAFT	01 01
04D	0521010612	1.4" X 3.5" COUPLING SHAFT	01 01
04E	0503010010	1/4" X 2.1/2" COTTERPIN	02 02
05	0501010572	1 UNC X 1 UNS X 76 PRISONER	04 04
06	0501010574	FLAT WASHER	04 04
07	0503010340	1" UNF NUT	04 04
08	0501047708	2400 BLADE SUPPORT	01 01
08A	0501067999	2390 BLADE SUPPORT	01 01
08B	0622360016	94.5" SCRAPER REVERSIBLE	01 01
08C	0501012240	5/8" X 2-1/2" BOLT	07 07
08D	0501010301	FLAT WASHER	07 07
08E	0503010027	5/8" SPRING WASHER	23 23
08F	0503010013	5/8" NUT	17 17
09	0501063411	ESTABILIZER BRACKET	02 02
10	0501010571	3/4 NC X 3/4 NF X 56 PRISONER	04 04
11	0501010322	FLAT WASHER	12 12
12	0503010335	3/4" NUT	04 04
13	0501062748		02 02
14	0501010100	5/8" X 2" BOLT	10 10
15	0501063958	1.5" X 4.3" PIVOT SHAFT LOCK	02 02
16	0501063959	PIVOT SHAFT	02 02
17	0501063751	1.5" X 5.5" PIVOT SHAFT	02 02

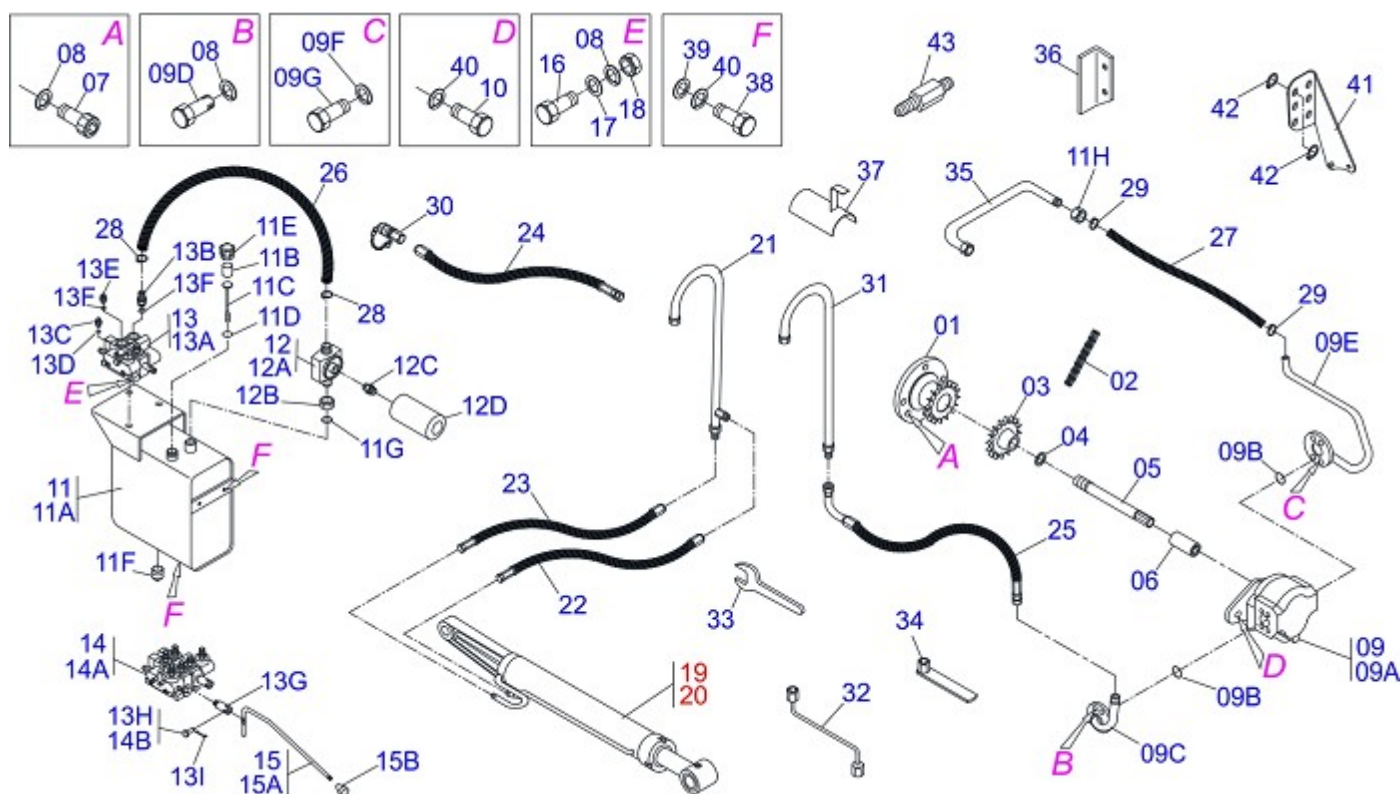


FRONT LOADER MF 265A283-4 S-0590

0909091230

Item	Code	Description	SHT BT
18	0503010962	5/8" X 1-1/4" BOLT	06 06
19	0501012140	FLAT WASHER	10 10
20	0503010002	GREASE FITTING	02 02
21	0108010002	9 TEETH ROOTH RAKER	02 02
21A	0501060958	9 TEETH ROOTH RAKER	01 01
21B	0501010276	1" X 3" BOLT	04 04
21C	0501010623	FLAT WASHER	04 04
21D	0503010012	1" SPRING WASHER	04 04
21E	0501010059	1" NUT HEX	04 04
22	0501064510		01 01
23	0501010500	3/4" X 3" BOLT	04 04
24	0503010023	3/4" SPRING WASHER	04 04
25	0503010014	3/4" NUT	04 04
26	0501010098	3/4" X 2" BOLT	06 06
27	0503010797	3/4" X 4" BOLT	02 02
28	0501040954	1.1/4" NC X 760 ROD	01 01
28A	0501010628	1.1/4" X 760 ROD	01 01
28B	0501010087	1.1/4" UNC NUT	10 10
29	0501041856	1.1/4" NC X 1430 ROD	02 02
29A	0501014855	1.1/4" X 1430 ROD	01 01
29B	0502012180	CONICAL SPRING WASHER	02 02
30	0501064690		01 01
31	0501064689		01 01
32	0501066807	RIGHT FRAME	01

HYDRAULIC CIRCUIT



Item	Code	Description	CS	CD
01	0503050010	FLANGE TOOTHED WHEEL	01	01
02	0503010455	50-2 CHAIN X 15 LINK + MENDING	01	01
03	0503050075	GEAR 16Z	01	01
04	0501010890	FLANGE WASHER	01	01
05	0501068964	348 X 7/8 UNC X 1.1/8-30G AXLE	01	01
06	0503030838	1-1/8" X 2.4" SLEEVE	01	01
07	0503010175	3/8" X 1-1/4" BOLT	06	06
08	0503010025	3/8" SPRING WHASHER	13	13
09	0501052129	PUMP WITH TUBE	01	01
09A	0503060045	40L 1/2" PUMP	01	01
09B	0503010173	2-220 N 3006-9B O'RING	02	02
09C	0501069661	PUMP PRESSURE TUBE	01	01
09D	0503010237	3/8" X 1" HEX BOLT G5	04	04
09E	0501069536	PUMP SUCTION TUBE	01	01
09F	0503010180	7/16" SPRING WASHER	04	04
09G	0503010355	7/16" X 1" BOLT	04	04
10	0503010920	1/2" X 1.1/2" BOLT	02	02
11	0501047808	RESERVOIR OIL ASSY	01	01
11A	0501068882	RESERVOIR OIL	01	01
11B	0503030044	FILTERING ELEMENT	01	01
11C	0501060975	OIL GAGE	01	01
11D	0503010185	2-221 N 3006-9B O'RING	01	01
11E	0502020472	TANK COVER BODY	01	01
11F	0503031604	1/2" BSP PLUG	01	01
11G	0503010046	2-216 N 3006-9B O'RING	01	01
11H	0501016309	2" 1X 2.5/16" NUT	01	01
12	0501041108	RETURNING FILTER ASSY	01	01
12A	0502050002	RETURNING FILTER HEAD	01	01
12B	0501010594	1" NUT HEX	01	01
12C	0501010595	1" NF NIPPLE	01	01
12D	0503010183	RETURNING FILTER	01	01
13	0501040871	1/2" COMMAND SIMPLE ASSY	01	
13A	0503060080	1/2" COMMAND SIMPLE	01	

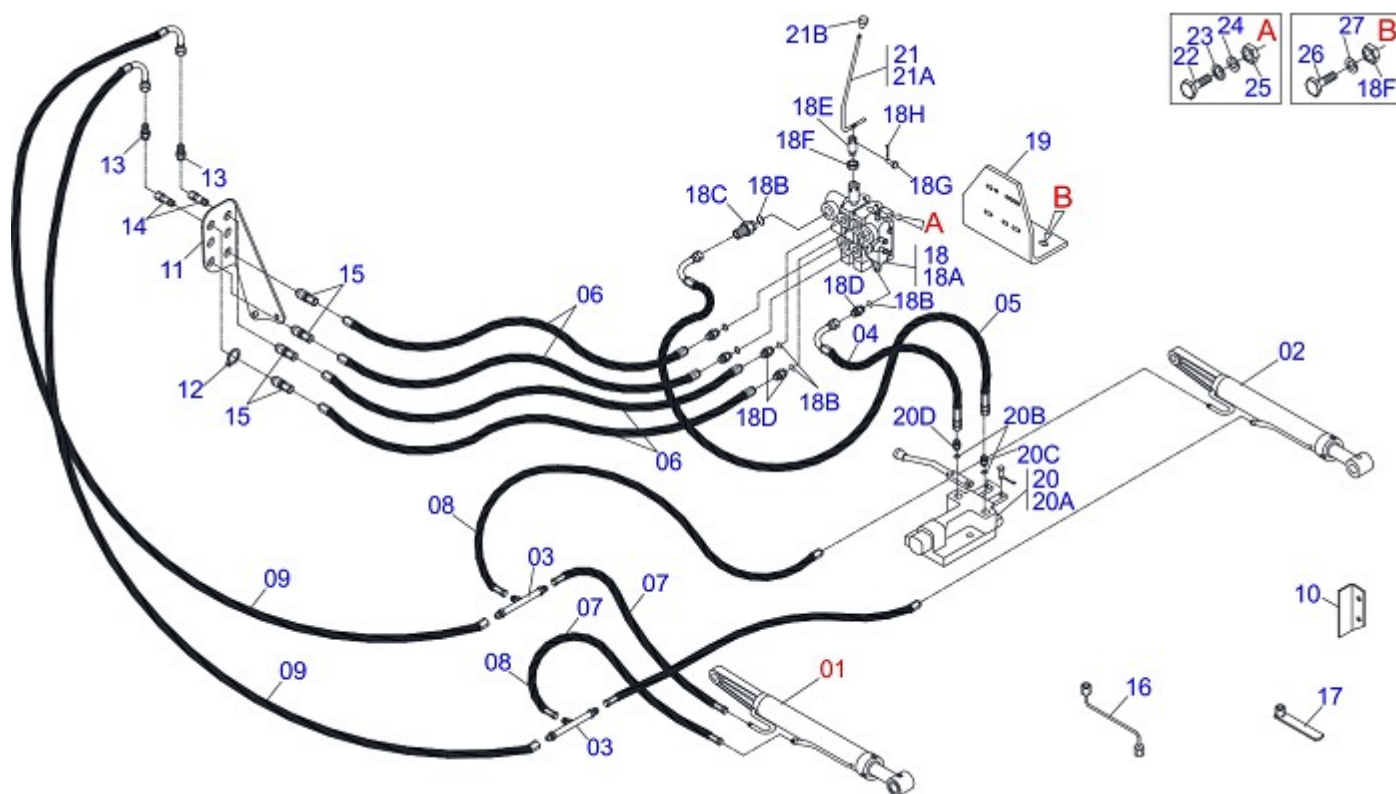


HYDRAULIC CIRCUIT

0909091201

Item	Code	Description	CS CD
13B	0501010591	HOSE NIPPLE	01 01
13C	0501010590	7/8" REDUCTION NIPPLE	02 04
13D	0503010045	2-116 N 3006-9B O'RING	02 04
13E	0501010589	1-1/16 NIPPLE	01 01
13F	0503010602	2-211 N 3006-9B O'RING	02 02
13G	0503030347	UPPER LEVER ASSY (SAUER DANFOSS)	01 02
13H	0501010593	0.3" X 1" X 1/2" X 1.1 PIN	01
13I	0503010140	1/8" X 3/4" COTTERPIN	01 02
14	0501040873	1/2" DOUBLE COMMAND	01
14A	0503060081	1/2" DOUBLE COMMAND	01
14B	0521010532	0.3" X 0.9" COUPLING SHAFT	02
15	0501041196	CONTROL LEVER ASSY	01 02
15A	0501067556	CONTROL VALVE (V-985-4)	01 01
15B	0503030878	LEVER CRANK	01 01
16	0501010080	3/8" X 1-1/2" BOLT	03 03
17	0501010984	FLAT WASHER	03 03
18	0503010026	3/8" NUT	03 03
19	0501044368	HYDRAULIC CYLINDER	01 01
20	0501044369	HYDRAULIC CYLINDER	01 01
21	0501068945	CURVED CONNECTION	02 02
22	0501080103	1/2" X 47" TR-TR HOSE ASSY	02 02
23	0501080346	1/2" X 2000 TR-TR HOSE ASSY	02 02
24	0501080308		02
25	0501080708		01 01
26	0501013822	1" X 25.6" AB-AB HOSE	01 01
27	0501010808	1.1/4" X 1300 AB-AB HOSE	01 01
28	0503010184	1-1/4" TO 1-1/2" CLAMP	02 02
29	0503010243	1-1/2" TO 2" CLAMP	02 03
30	0501053835	FEMALE QUICK COUPLER	02
31	0501064350	VALVE PRESSURE TUBE	01 01
32	0501068213	5/8" WRENCH DOUBLE	01 01
33	0511010153	2-5/16" FIXED WRENCH	01 01
34	0501061617	1" WRENCH CYLINDRICAL HEX	01 01
35	0501063383	TANK OUTER TUBE	01 01
36	0501018735	REDLIGHT SUPPORT	02 02
37	0511064563	HOSE PROTECTION	01 01
38	0501010161	1/2" X 1-1/4" BOLT	04 04
39	0511017302	FLAT WASHER	04 04
40	0503010019	1/2" SPRING WASHER	06 06
41	0511019730	QUICK COUPLING SUPPORT	01
42	0503010217	501040 CLAMPING RING (FOR AXLE)	04
43	0521014428	EXTENSION HEX	02 02

HYDRAULIC CIRCUIT



Item	Code	Description	QT
01	0501044368	HYDRAULIC CYLINDER	01
02	0501044369	HYDRAULIC CYLINDER	01
03	0501068942	"T" CONNECTION NIPPLES	02
04	0501080150	3/8" X 31.49" HOSE ASSY	01
05	0501080092	1/2" X 700 TR-TC HOSE	01
06	0501080214		04
07	0501080103	1/2" X 47" TR-TR HOSE ASSY	02
08	0501080346	1/2" X 2000 TR-TR HOSE ASSY	02
09	0501080281		02
10	0501018735	REDLIGHT SUPPORT	02
11	0511019730	QUICK COUPLING SUPPORT	01
12	0503010217	501040 CLAMPING RING (FOR AXLE)	08
13	0511014065	7/8" NF X R1/2NPT X 52 NIPPLE	02
14	0503010186		04
15	0503010187	QUICK CONNECTION (MALE)	04
16	0501068213	5/8" WRENCH DOUBLE	01
17	0501061617	1" WRENCH CYLINDRICAL HEX	01
18	0501041024	3/8" DOUBLE CONTROL VALVE	01
18A	0503060079	3/8" DOUBLE COMMAND VALVE	01
18B	0503010045	2-116 N 3006-9B O'RING	06
18C	0501011806	1" HOSE NIPPLE	01
18D	0501010590	7/8" REDUCTION NIPPLE	05
18E	0503011050	LOWER LEVER	02
18F	0503010337	5/16" NUT	04
18G	0521010532	0.3" X 0.9" COUPLING SHAFT	02
18H	0503010140	1/8" X 3/4" COTTERPIN	02
19	0501014688	SUPPORT CONTROL VALVE	01
20	0501041892	V002/0012 FLOW DIVIDING VALVE ASSY	01
20A	0503060064	V002-0012 FLOW DIVIDING VALVE	01
20B	0503010190	2-114 N 3006-9B O'RING	02
20C	0511010111	7/8" NIPPLE	01
20D	0501010617	3/4" NIPPLE	01
21	0501041473	CONTROL LEVER ASSY	02



HYDRAULIC CIRCUIT

0909091232

Item	Code	Description	QT
21A	0501067686	CONTROL LEVER ASSY	01
21B	0503010182	BALL LEVER	01
22	0501010080	3/8" X 1-1/2" BOLT	03
23	0501010984	FLAT WASHER	03
24	0503010025	3/8" SPRING WHASHER	03
25	0503010026	3/8" NUT	03
26	0503010421	5/16" X 1-1/2" BOLT	02
27	0503010179	5/16" SPRING WASHER	02



MARCHESAN

MARCHESAN IMPLEMENTOS E MÁQUINAS AGRÍCOLAS TATU S.A.

AV. Marchesan, 1979 - Post office box, 131 - CEP 15994-900 - Matão - SP - Brazil

Phone +55 16.3382-8282

(FAX Parts) + 55 16.3382. 8297 - (Export) + 55 16.3382.1003

e.mail: tatu@marchesan.com.br www.marchesan.com.br

*Drafting and Illustration = GASPARI
e.mail = jgaspari@marchesan.com.br*

**ORIGINAL PARTS
TATU**



MARCHESAN