

# PARTS CATALOG

## FRONT LOADER

PD MF 295 S-1188

Code: 0501091388



Series: S-1188

Review: NOVEMBRO/88

ORIGINAL PARTS  
TATU

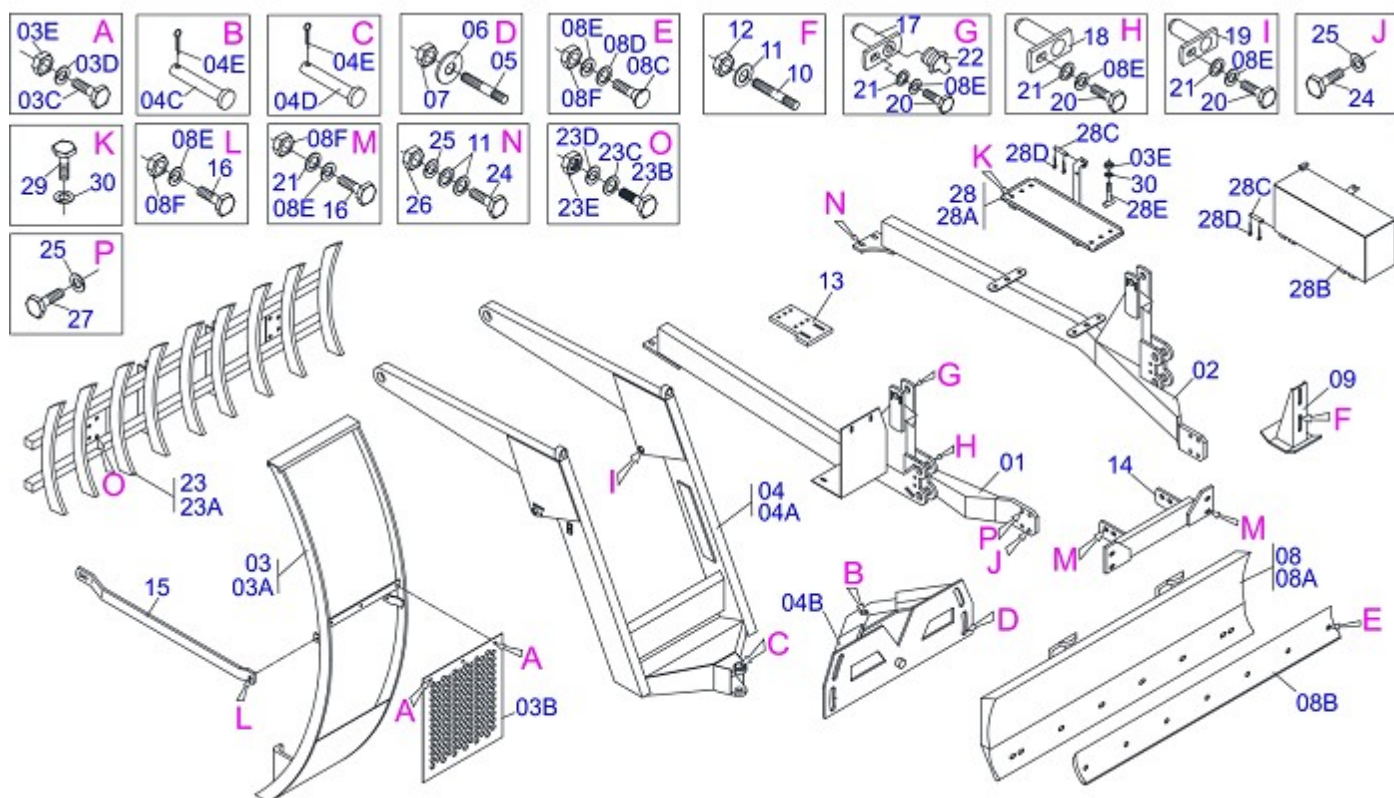


# INDEX

0909091246	FRONT LOADER MF 295 S-1188	.....	1
0909091247	HYDRAULIC CIRCUIT	.....	2
0909091066	HYDRAULIC CYLYNDER	.....	3

**ATTENTION: IMPORTANT**

MARCHESAN RESERVES THE RIGHT AT ANY TIME TO MAKE IMPROVEMENTS IN THE DESIGN, MATERIAL OR SPECIFICATIONS OF MACHINERY, EQUIPMENT OR PARTS WITHOUT THEREBY BECOMING LIABLE TO MAKE SIMILAR CHANGES IN MACHINERY, EQUIPMENT OR PARTS PREVIOUSLY SOLD.



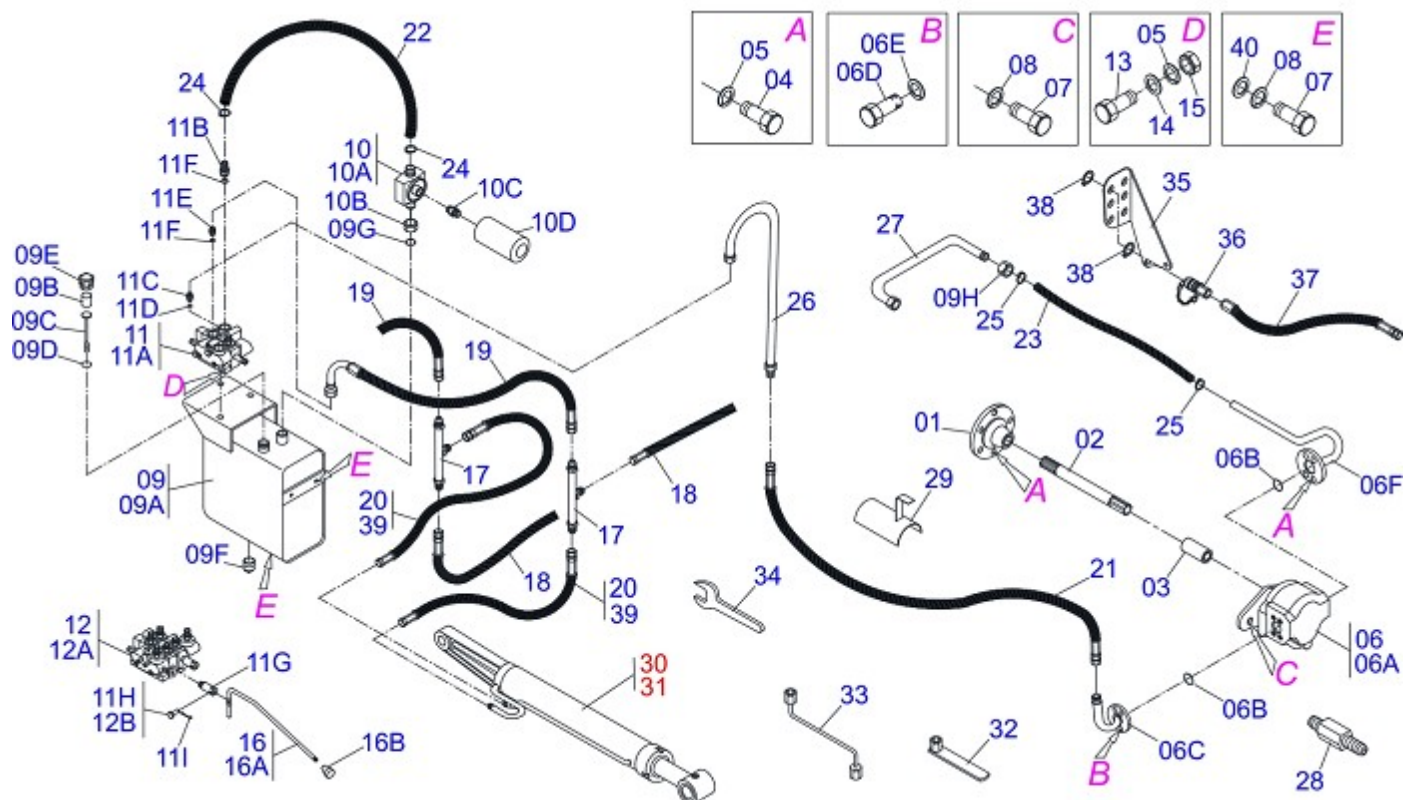
Item	Code	Description	QT
01	0501063879	RIGHT FRAME	01
02	0501063880	LEFT FRAME	01
03	0501041481		01
03A	0501063251		01
03B	0501015656		01
03C	0503010751	3/8" X 1.1/4" HEX BOLT G.5	03
03D	0501010984	FLAT WASHER	03
03E	0503010026	3/8" NUT	04
04	0501042509	MOBILE SUPPORT ASSY	01
04A	0501063681	MOBILE SUPPORT	01
04B	0501063368	REGULATOR SUPPORT	01
04C	0521010618	1.4" X 8.6" COUPLING SHAFT	01
04D	0521010613	1.4" X 3.9" COUPLING SHAFT	01
04E	0503010010	1/4" X 2.1/2" COTTERPIN	02
05	0501010572	1 UNC X 1 UNS X 76 PRISONER	04
06	0501010754	BELT TENSIONER	04
07	0503010340	1" UNF NUT	04
08	0501047709	2400MM BLADE SUPPORT ASSY	01
08A	0501068000	2390MM BLADE SUPPORT	01
08B	0622360016	94.5" SCRAPER REVERSIBLE	01
08C	0501012240	5/8" X 2-1/2" BOLT	08
08D	0501010301	FLAT WASHER	08
08E	0503010027	5/8" SPRING WASHER	24
08F	0503010013	5/8" NUT	18
09	0501063411	ESTABILIZER BRACKET	01
10	0501010571	3/4 NC X 3/4 NF X 56 PRISONER	04
11	0501010322	FLAT WASHER	12
12	0501010335	1-1/2" X 7-1/2" BOLT	04
13	0501014778	FRAME BRACKET	02
14	0501062883		01
15	0501018838		02
16	0501010100	5/8" X 2" BOLT	10
17	0501063751	1.5" X 5.5" PIVOT SHAFT	02



FRONT LOADER MF 295 S-1188

0909091246

Item	Code	Description	QT
18	0501063444	PIVOT SHAFT	02
19	0501063446	PIVOT SHAFT	02
20	0503010962	5/8" X 1-1/4" BOLT	06
21	0501012140	FLAT WASHER	14
22	0503010002	GREASE FITTING	02
23	0108010002	9 TEETH ROOTH RAKER	02
23A	0501060958	9 TEETH ROOTH RAKER	01
23B	0501010276	1" X 3" BOLT	04
23C	0501010623	FLAT WASHER	04
23D	0503010012	1" SPRING WASHER	04
23E	0501010059	1" NUT HEX	04
24	0501010500	3/4" X 3" BOLT	06
25	0503010023	3/4" SPRING WASHER	12
26	0501010098	3/4" X 2" BOLT	06
27	0501041485	BATTERY BOX	01
28A	0501061298	SUPPORT UPPER BASE	01
28B	0501061299		01
28C	0501010828	PIVOT SHAFT	03
28D	0503010140	1/8" X 3/4" COTTERPIN	06
28E	0501061300	FIXER COVER	01
29	0503010256	3/8" X 3/4" BOLT	04
30	0503010025	3/8" SPRING WHASHER	05



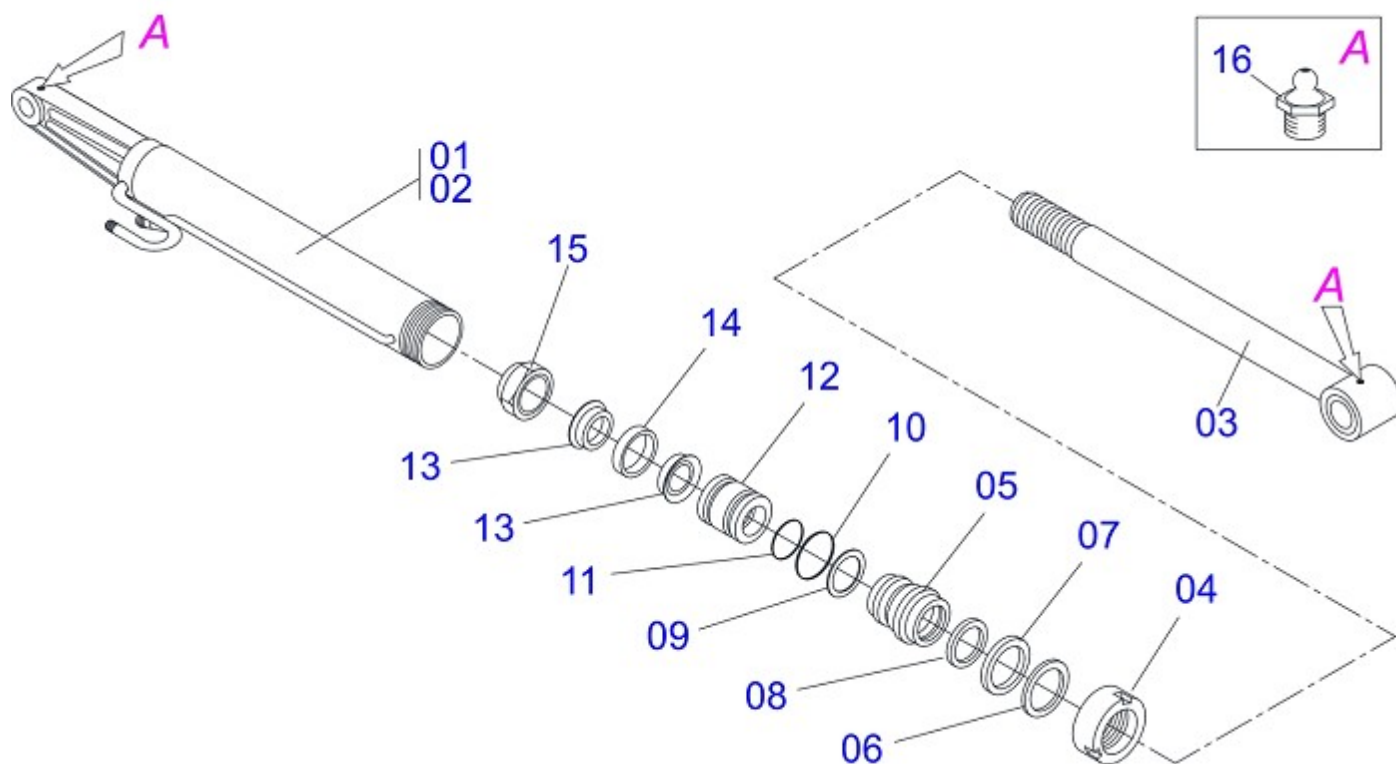
Item	Code	Description	CS	CD
01	0503050005		01	01
02	0501068907	340 X 7/8 STRIATED X 1.1/8 AXLE	01	01
03	0503030046		01	01
04	0503010237	3/8" X 1" HEX BOLT G5	08	08
05	0503010025	3/8" SPRING WHASHER	11	11
06	0501041266	PUMP GEAR ASSY	01	01
06A	0503060073	40L 1/2" PUMP	01	01
06B	0503010173	2-220 N 3006-9B O'RING	02	02
06C	0501061313	PUMP SUCTION TUBE	01	01
06D	0501011179	7/16" X 1" BOLT	04	04
06E	0503010180	7/16" SPRING WASHER	04	04
06F	0501061315	PUMP PRESSURE TUBE	01	01
07	0501010161	1/2" X 1-1/4" BOLT	06	06
08	0503010019	1/2" SPRING WASHER	06	06
09	0501047808	RESERVOIR OIL ASSY	01	01
09A	0501068882	RESERVOIR OIL	01	01
09C	0501060975	OIL GAGE	01	01
09D	0503010185	2-221 N 3006-9B O'RING	01	01
09E	0502020472	TANK COVER BODY	01	01
09F	0503031604	1/2" BSP PLUG	01	01
09G	0503010046	2-216 N 3006-9B O'RING	01	01
09H	0501016309	2" 1X 2.5/16" NUT	01	01
10	0501041108	RETURNING FILTER ASSY	01	01
10A	0502050002	RETURNING FILTER HEAD	01	01
10B	0501010594	1" NUT HEX	01	01
10C	0501010595	1" NF NIPPLE	01	01
10D	0503010183	RETURNING FILTER	01	01
11	0501040871	1/2" COMMAND SIMPLE ASSY	01	
11A	0503060080	1/2" COMMAND SIMPLE	01	
11B	0501010591	HOSE NIPPLE	01	01
11C	0501010589	1-1/16 NIPPLE	01	01
11D	0503010602	2-211 N 3006-9B O'RING	02	02
11E	0501010590	7/8" REDUCTION NIPPLE	02	04



## HYDRAULIC CIRCUIT

0909091247

Item	Code	Description	CS CD
11F	0503010045	2-116 N 3006-9B O'RING	02 04
11G	0503030347	UPPER LEVER ASSY (SAUER DANFOSS)	01 01
11H	0501010593	0.3" X 1" X 1/2" X 1.1 PIN	01
11I	0503010140	1/8" X 3/4" COTTERPIN	01 02
12	0501040873	1/2" DOUBLE COMMAND	01
12A	0503060081	1/2" DOUBLE COMMAND	01
12B	0521010532	0.3" X 0.9" COUPLING SHAFT	02
13	0501010080	3/8" X 1-1/2" BOLT	03 03
14	0501010984	FLAT WASHER	03 03
15	0503010026	3/8" NUT	03 03
16	0501041196	CONTROL LEVER ASSY	01 02
16A	0501067556	CONTROL VALVE ( V-985-4)	01 01
16B	0503030878	LEVER CRANK	01 01
17	0501068942	"T" CONNECTION NIPPLES	02 02
18	0501080346	1/2" X 2000 TR-TR HOSE ASSY	02 02
19	0501080093	1/2 X 1300 HOSE TR-TC	02 02
20	0501080021	1/2" X 51" TR-TR HOSE ASSY	02
21	0501080347		01 01
22	0501013822	1" X 25.6" AB-AB HOSE	01 01
23	0501011514	1.1/4" X 1550 AB-AB HOSE	01 01
24	0503010184	1-1/4" TO 1-1/2" CLAMP	02 02
25	0503010243	1-1/2" TO 2" CLAMP	02 02
26	0501063082	VALVE PRESSURE TUBE	01 01
27	0501063383	TANK OUTER TUBE	01 01
28	0521014428	EXTENSION HEX	02 02
29	0511064563	HOSE PROTECTION	01 01
30	0501044360	HYDRAULIC CYLINDER	01 01
31	0501044361	HIDRAULIC CYLINDER	01 01
32	0501061617	1" WRENCH CYLINDRICAL HEX	01 01
33	0501068213	5/8" WRENCH DOUBLE	01 01
34	0511010153	2-5/16" FIXED WRENCH	01 01
35	0511019730	QUICK COUPLING SUPPORT	01
36	0503010186		02
37	0501080075	1/2 X 2400 TR-TM HOSE ASSY	02
38	0503010217	501040 CLAMPING RING (FOR AXLE)	04
39	0501080014		02
40	0511017302	FLAT WASHER	04 04



Item	Code	Description	QT
00	0501044360	HYDRAULIC CYLINDER	01
00.	0501044361	HIDRAULIC CYLINDER	01
01	0501061857	85,70 X 483 CYLINDER CASE	01
02	0501062108	CYLINDER CASE	01
03	0501069048	44,45 X 648 TURNBUCLE	01
04	0502010993	DETACHABLE COVER	01
05	0502010781	RING SUPPORT	01
06	0503010761	D-1750 SCRAPER RING	01
07	0503010990	GASKET	01
08	0503010949	W2-2000-500 PK RING G.E	01
09	0503011060	8-336 BACK-UP RING	01
10	0503010976	2-336 N 3006-9B O'RING	01
11	0503010042	2-214 N 3006-9B O'RING	01
12	0502010843	1.8" X 3.4" PISTON	01
13	0503010170	PACKING 3120 2750	02
14	0503010948	W4-3346-590 PK RING G.E	01
15	0503010063	1" SELF-ALIGNING NUT	01
16	0503010002	GREASE FITTING	02







**MARCHESAN**

**MARCHESAN IMPLEMENTOS E MÁQUINAS AGRÍCOLAS TATU S.A.**

AV. Marchesan, 1979 - Post office box, 131 - CEP 15994-900 - Matão - SP - Brazil

Phone +55 16.3382-8282

(FAX Parts) + 55 16.3382. 8297 - (Export) + 55 16.3382.1003

e.mail: [tatu@marchesan.com.br](mailto:tatu@marchesan.com.br) [www.marchesan.com.br](http://www.marchesan.com.br)

*Drafting and Illustration = GASPARI  
e.mail = [jgaspari@marchesan.com.br](mailto:jgaspari@marchesan.com.br)*

**ORIGINAL PARTS  
TATU**



**MARCHESAN**