

# **PARTS CATALOG**

## **PD - FRONT LOADER**

### **PD MF 265-4**

**Code: 0501091386**



**Series: S-1188**

**Review: NOVEMBRO/1988**

**ORIGINAL PARTS  
TATU**



# PRODUCTS

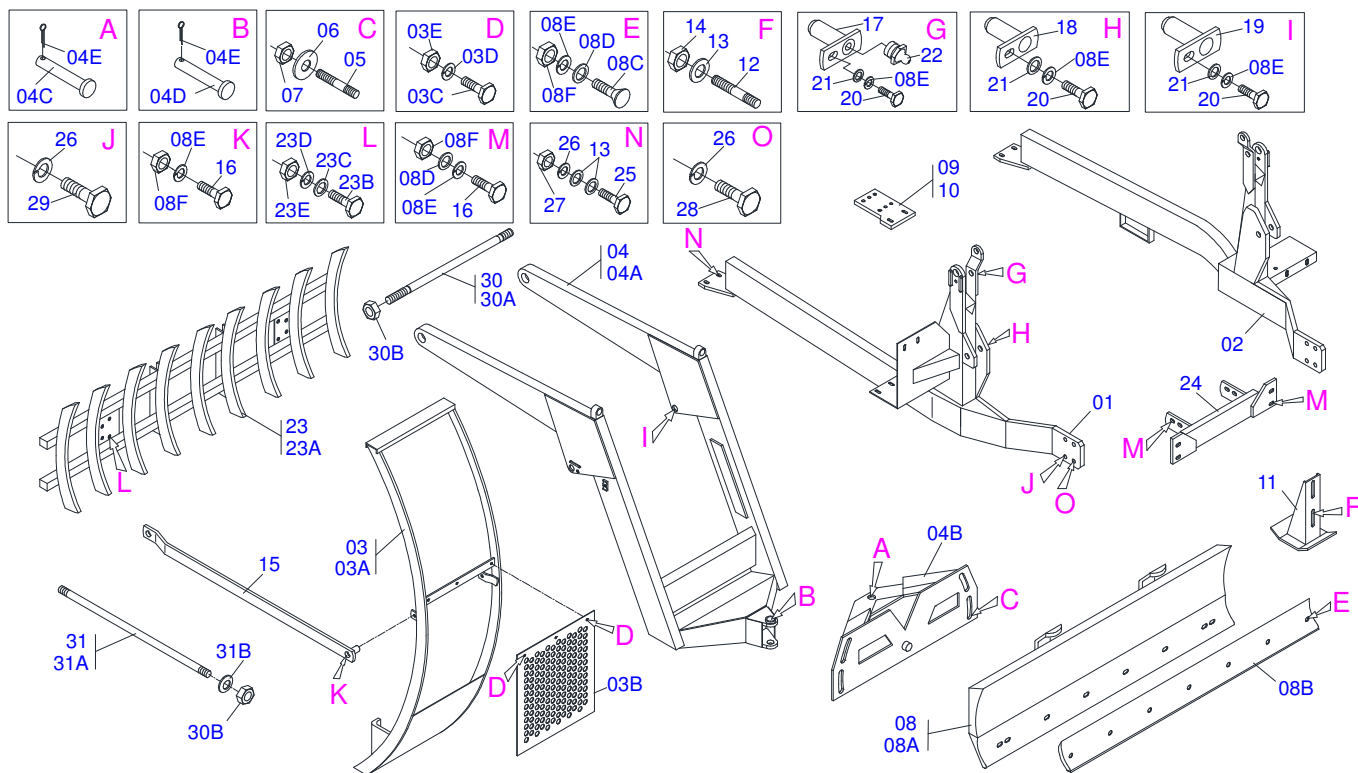
Code	Description
0106030144	PD MF 265-4 SHT CD S-1088
0106030184	PD MF 265-4 SHT CD SL S-1088
0106030143	PD MF 265-4 SHT CS

## ATTENTION: **IMPORTANT**

MARCHESAN S/A RESERVES THE RIGHT AT ANY TIME TO MAKE IMPROVEMENTS IN THE DESIGN, MATERIAL OR SPECIFICATIONS OF MACHINERY, EQUIPMENT OR PARTS WITHOUT THEREBY BECOMING LIABLE TO MAKE SIMILAR CHANGES IN MACHINERY, EQUIPMENT OR PARTS PREVIOUSLY SOLD.

# INDEX

0909092236	FRONT LOADER MF 265-4 S-1188	.....	1
0909092237	HYDRAULIC CIRCUIT	.....	2
0909090247	HYDRAULIC CYLINDER	.....	3
0909091238	HYDRAULIC CILINDER	.....	4



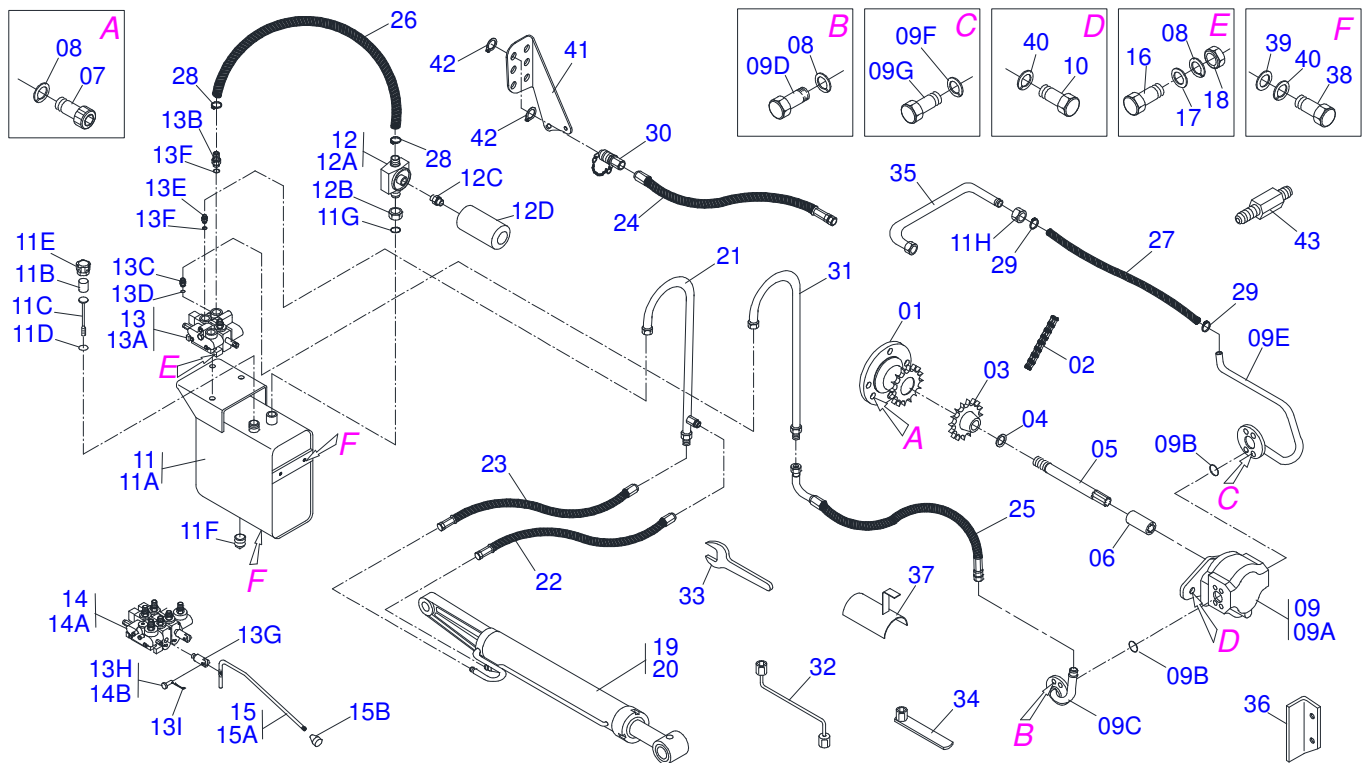
Item	Code	Description	QT
01	0501064347	RIGHT FRAME	01
02	0501064348	LEFT FRAME	01
03	0501047978	SUPPORT GUIDE	01
03A	0501069169	MOBILE SUPPORT GUIDE	01
03B	0501014214	FRONT PROTECTION	01
03C	0503010751	C3/8" X 1.1/4" HEX BOLT G.5	03
03D	0501010984	FLAT WASHER	03
03E	0503010026	3/8" NUT	03
04	0501042513	MOBILE SUPPORT GUIDE ASSY	01
04A	0501063701	MOBILE SUPPORT	01
04B	0501062637	5/8" REGULATOR SUPPORT	01
04C	0521010618	1.4" X 8.6" COUPLING SHAFT	01
04D	0521010612	1.4" X 3.5" COUPLING SHAFT	01
04E	0503010010	1/4" X 2.1/2" COTTERPIN	02
05	0501010572	1" X 1" X 2.9" STUD	04
06	0501010574	FLAT WASHER	04
07	0503010340	1" NUT	04
08	0501047708	2400 BLADE SUPPORT	01
08A	0501067999	2390 BLADE SUPPORT	01
08B	0622360016	94.5" SCRAPER REVERSIBLE	01
08C	0501012240	5/8" X 2-1/2" BOLT	07
08D	0501010301	FLAT WASHER	07
08E	0503010027	SPRING WASHER	23
08F	0503010013	5/8" NUT	17
09	0501061689	VALVE PRESSURE TUBE	01
10	0501064690	FRAME BRACKET	01
11	0501063411	ESTABILIZER BRACKET	02
12	0501010571	3/4" X 3/4" X 2.2" STUD	04
13	0501010322	FLAT WASHER	12
14	0503010335	3/4"NUT	04
15	0501062748	ATTACHMENT BAR	02
16	0501010100	5/8 UNC X 2 C S G.5 BOLT	10
17	0501063958	1.5" X 4.3" PIVOT SHAFT LOCK	02



## FRONT LOADER MF 265-4 S-1188

0909092236

Item	Code	Description	QT
18	0501063959	PIVOT SHAFT	02
19	0501063751	1.5" X 5.5" PIVOT SHAFT	02
20	0503010962	5/8" X 1-1/4" BOLT	06
21	0501012140	FLAT WASHER	14
22	0503010002	1800 GREASE FITTING	02
23	0108010002	9 TEETH ROTH RAKER	02
23A	0501060958	9 TEETH ROTH RAKER	01
23B	0501010276	1" X 3" BOLT	04
23C	0501010623	FLAT WASHER	04
23D	0503010012	1" SPRING WASHER	04
23E	0501010059	1.5/8 NUT	04
24	0501064510	GUIDE SUPPORT	01
25	0501010500	3/4"X3"BOLT	04
26	0503010023	SPRING WASHER	12
27	0503010014	3/4" NUT	04
28	0501010098	HEX BOLT 3/4 UNC X 2 C S G.5 ZN	06
29	0503010797	3/4" X 4" BOLT	02
30	0501040954	1.1/4" NC X 760 ROD	01
30A	0501010628	1.1/4" X 760 ROD	01
30B	0501010087	1.1/4" NUT	08
31	0501041856	1.1/4" NC X 1430 ROD	02
31A	0501014855	1.1/4" X 1430 ROD	01
31B	0502012180	CONICAL SPRING WASHER	02

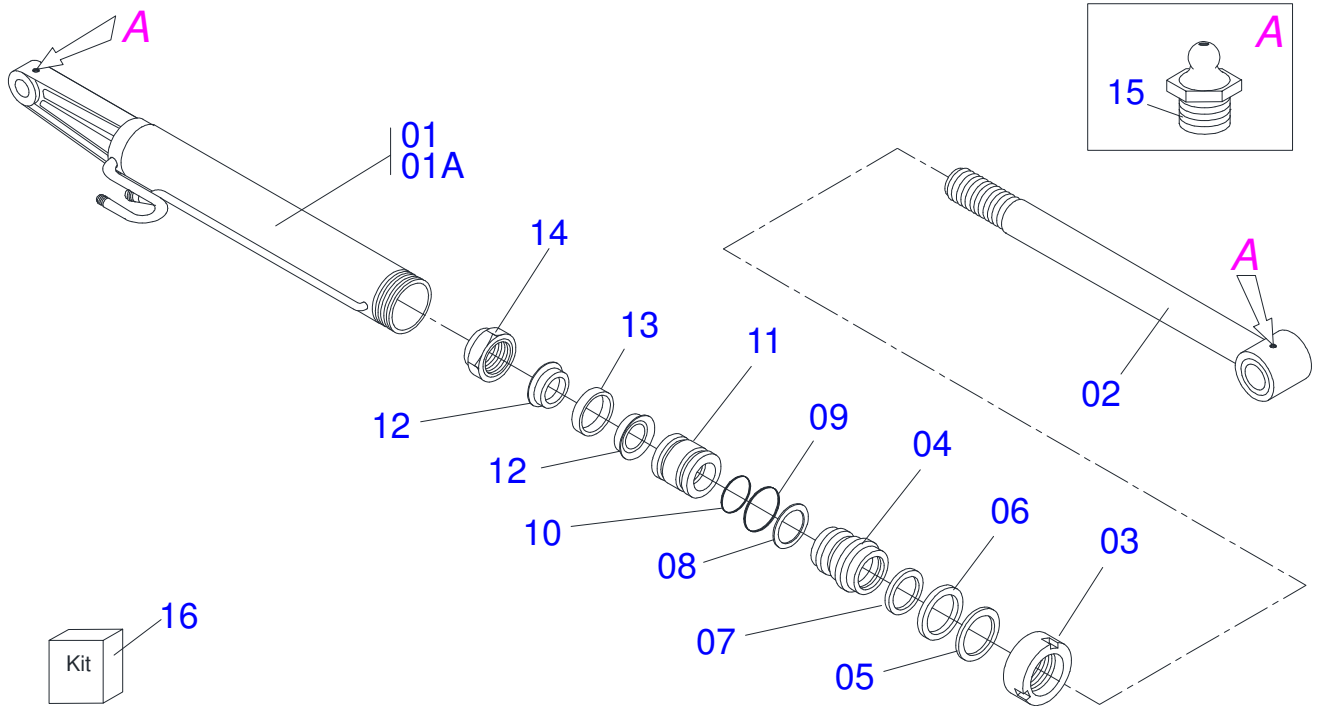


Item	Code	Description	CS	CD
01	0503050010	136 FLANGE	01	01
02	0503010455	50-2 CHAIN X 15 LINK + MENDING	01	01
03	0503050075	GEAR 16Z	01	01
04	0501010890	FLANGE WASHER	01	01
05	0501068964	348 X 7/8 UNC X 1.1/8-30G AXLE	01	01
06	0503030838	1-1/8" X 2.4" SLEEVE	01	01
07	0503010175	3/8" X 1-1/4" BOLT	06	06
08	0503010025	3/8 SPRING WASHER	13	13
09	0501052129	PUMP WITH TUBE	01	01
09A	0503060045	40L 1/2" PUMP	01	01
09B	0503010173	2-220 N 3006-9B O-RING	02	02
09C	0501069661	PUMP PRESSURE TUBE	01	01
09D	0503010237	3/8" X 1" BOLT	04	04
09E	0501069536	PUMP SUCTION TUBE	01	01
09F	0503010180	7/16" SPRING WASHER	04	04
09G	0503010355	7/16" X 1" BOLT	04	04
10	0503010920	1/2" X 1.1/2" BOLT	02	02
11	0501047808	OIL RESERVOIR ASSY	01	01
11A	0501068882	OIL RESERVOIR	01	01
11B	0503030044	FILTERING ELEMENT	01	01
11C	0501060975	OIL GAGE	01	01
11D	0503010185	2-221 N 3006-9B O-RING	01	01
11E	0502020472	FRONTAL COVER	01	01
11F	0503031604	1/2" BSP PLUG	01	01
11G	0503010046	2-216 N 3006-9B O-RING	01	01
11H	0501016309	2" 1X 2.5/16" NUT	01	01
12	0501041108	RETURNING FILTER ASSY	01	01
12A	0502050002	RETURNING FILTER HEAD	01	01
12B	0501010594	1" NUT	01	01
12C	0501010595	1" NF NIPPLE	01	01
12D	0503010183	RETURNING FILTER	01	01
13	0501040871	1/2" COMMAND SIMPLE ASSY	01	
13A	0503060080	1/2" COMMAND SIMPLE	01	



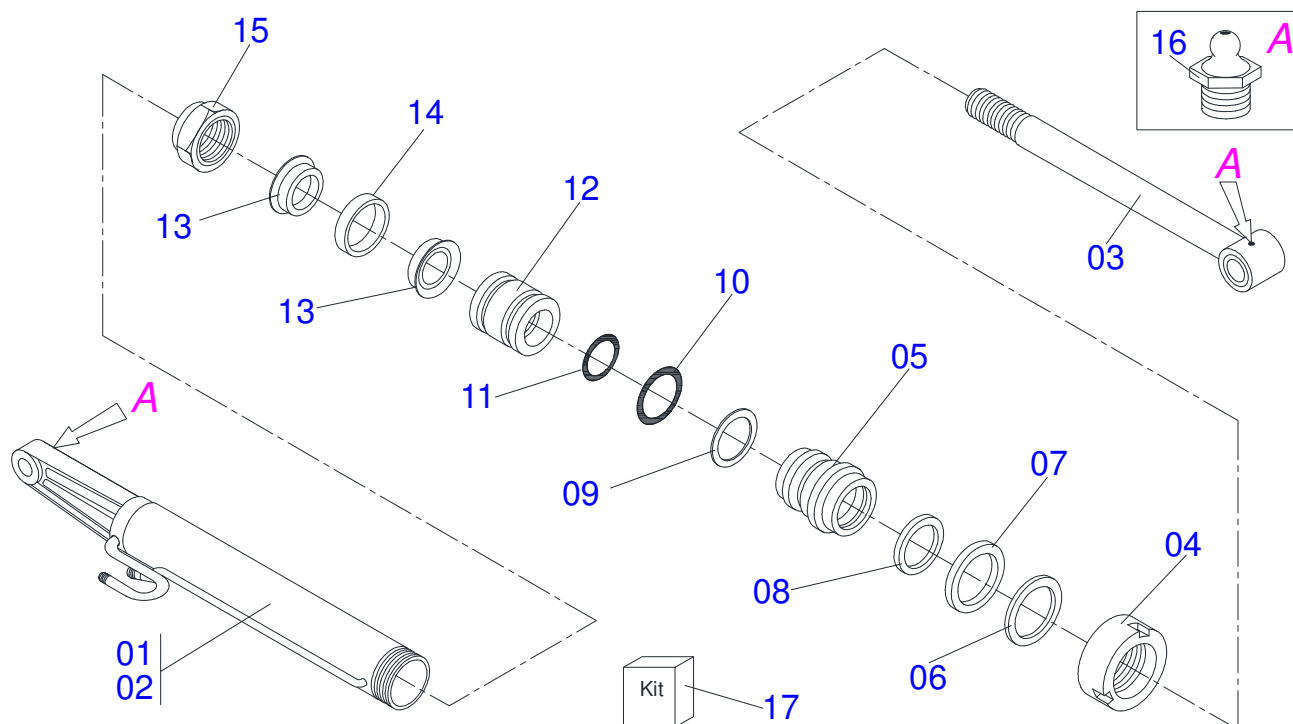
PD MF 265-4  
HYDRAULIC CIRCUIT

Item	Code	Description	CS	CD
13B	0501010591	HOSE NIPPLE	01	01
13C	0501010590	7/8" REDUCTION NIPPLE	02	04
13D	0503010045	2-116 N 3006-9B O'RING	02	04
13E	0501010589	R. 1.1/16UN SEXT 1.1/4 X 52 NIPPLE	01	01
13F	0503010602	2-211 N 3006-9B O'RING	02	02
13G	0503030347	UPPER LEVER ASSY (SAUER DANFOSS)	01	02
13H	0501010593	0.3" X 1" X 1/2" X 1.1 PIN	01	
13I	0503010140	1/8" X 3/4" COTTERPIN	01	02
14	0501040873	1/2" DOUBLE COMMAND	01	
14A	0503060081	1/2" DOUBLE COMMAND	01	
14B	0521010532	0.3" X 0.9" COUPLING SHAFT	02	
15	0501041196	CONTROL LEVER ASSY	01	02
15A	0501067556	CONTROL VALVE ( V-985-4)	01	01
15B	0503030878	LEVER CRANK	01	01
16	0501010080	3/8" BOLT	03	03
17	0501010984	FLAT WASHER	03	03
18	0503010026	3/8" NUT	03	03
19	0501044368	HYDRAULIC CYLINDER	01	01
20	0501044369	HYDRAULIC CYLINDER	01	01
21	0501068945	CURVED CONNECTION	02	02
22	0501080103	1/2" X 47" TR-TR HOSE ASSY	02	02
23	0501080346	1/2" X 2000 TR-TR HOSE ASSY	02	02
24	0501080308	1/2 X 2750 TR-TM HOSE	02	
25	0501080708	3/4 X 2450 TR-TC HOSE	01	01
26	0501013822	1" X 25.6" AB-AB HOSE	01	01
27	0501010808	1.1/4" X 1300 AB-AB HOSE	01	01
28	0503010184	CLAMP	02	04
29	0503010243	CLAMP	03	02
30	0501053835	FEMALE QUICK COUPLER	02	
31	0501064350	VALVE PRESSURE TUBE	01	01
32	0501068213	5/8" WRENCH DOUBLE	01	01
33	0511010153	2-5/16" FIXED WRENCH	01	01
34	0501061617	1" GANG BOLT WRENCH	01	01
35	0501063383	TANK OUTER TUBE	01	01
36	0501018735	REDLIGHT SUPPORT	02	02
37	0511064563	HOSE PROTECTION	01	01
38	0501010161	1/2" X 1.1/4" BOLT	04	04
39	0511017302	FLAT WASHER	04	04
40	0503010019	1/2" SPRING WASHER	06	06
41	0511019730	QUICK COUPLING SUPPORT	01	
42	0503010217	501040 CLAMPING RING (FOR AXLE)	04	
43	0521014428	EXTENSION HEX	02	02



Item	Code	Description	QT
01	0501063606	RH 85,7 X 483 CYLINDER CASE	01
01A	0501063607	LH 85,7 X 483 CYLINDER CASE	01
02	0501069048	44,45 X 648 TURNBUCLE	01
03	0502010993	DETACHABLE COVER	01
04	0502010781	RING SUPPORT	01
05	0503010761	D-1750 SCRAPER RING	01
06	0503010990	GASKET	01
07	0503010949	W2-2000-500 PK RING G.E	01
08	0503011060	8-336 BACK-UP RING	01
09	0503010976	2-336 N 3006-9B O'RING	01
10	0503010042	2-214 N 3006-9B O'RING	01
11	0502010843	1.8" X 3.4" PISTON	01
12	0503010170	PACKING 3120 2750	02
13	0503010948	W4-3346-590 PK RING G.E	01
14	0503010063	1" SELF-ALIGNING NUT	01
15	0503010002	1800 GREASE FITTING	02
16	0501031796	HYDRAULIC CYLINDER REPAIR KIT	01





Item	Code	Description	QT
00	0501046992	HYDRAULIC CYLINDER	01
00A	0501046993	HYDRAULIC CYLINDER	01
01	0501068206	RIGHT 85,72 X 855 CYLINDER CASE	01
02	0501068207	LEFT 85,72 X 855 CYLINDER CASE	01
03	0501068208	44,45 X 670 TURNBUCKLE	01
04	0502010993	DETACHABLE COVER	01
05	0502010781	RING SUPPORT	01
06	0503010761	D-1750 SCRAPER RING	01
07	0503010990	GASKET	01
08	0503010949	W2-2000-500 PK RING G.E	01
09	0503011060	8-336 BACK-UP RING	01
10	0503010976	2-336 N 3006-9B O-RING	01
11	0503010042	2-214 N 3006-9B O-RING	01
12	0502010843	1.8" X 3.4" PISTON	01
13	0503010170	PACKING 3120 2750	02
14	0503010948	W4-3346-590 PK RING G.E	01
15	0503010063	1" SELF-ALIGNING NUT	01
16	0503010002	1800 GREASE FITTING	02
17	0501031796	HYDRAULIC CYLINDER REPAIR KIT	01





**MARCHESAN IMPLEMENTOS E MÁQUINAS AGRÍCOLAS TATU S.A.**

AV. Marchesan, 1979 - Post office box, 131 - CEP 15994-900 - Matão - SP - Brazil

Phone +55 16.3382-8282

(FAX Parts) + 55 16.3382. 8297 - (Export) + 55 16.3382.1003

e.mail: [tatu@marchesan.com.br](mailto:tatu@marchesan.com.br) [www.marchesan.com.br](http://www.marchesan.com.br)

**Technical Publications: Elaboration**

LUIZ CANDIDO

**Technical Publications: Revision**

JOSÉ DOMINGOS GASPARI

*Contact Catálogo:*

*E-mail = [jgaspari@marchesan.com.br](mailto:jgaspari@marchesan.com.br)*

**ORIGINAL PARTS  
TATU**

