

CHASER BIN

DCA LA CP 1200

Code: 0501091382

Series: S-0810

Revision: 00

Date Revision: JANEIRO/2014

PARTS CATALOGUE



MARCHESAN



PRODUCTS

Code	Description	
0109090145	DCA 1200-LA	S-0810

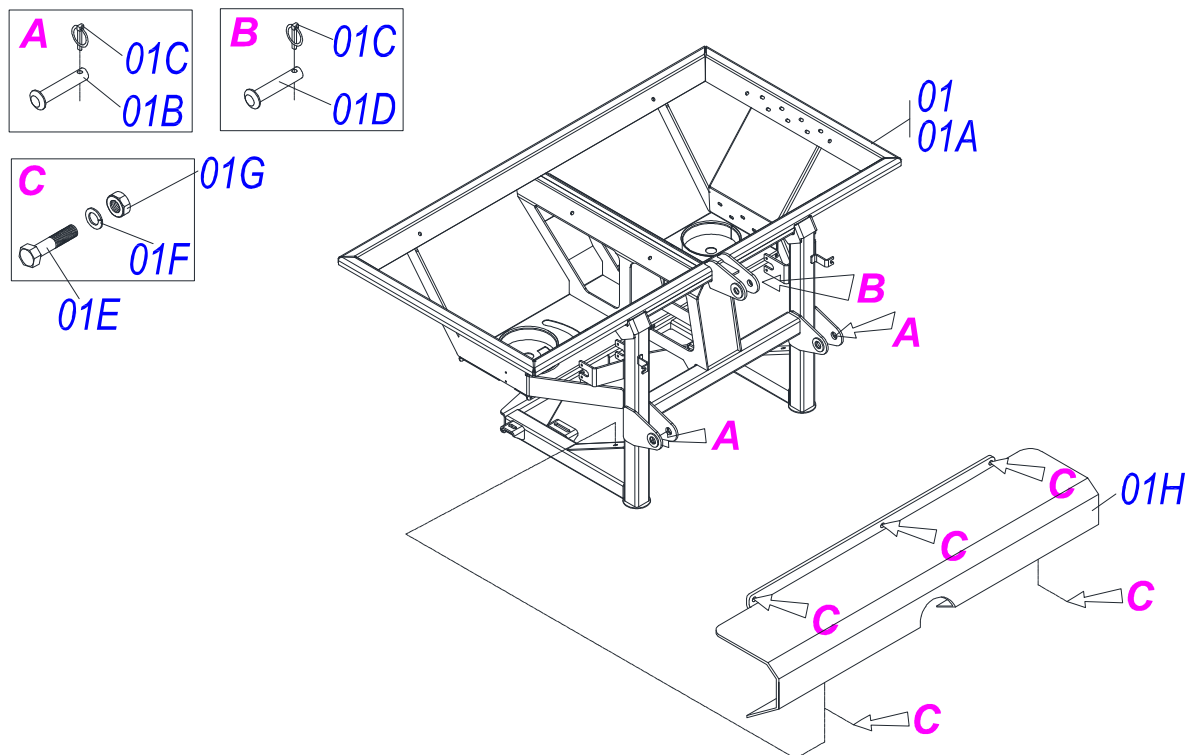
ATTENTION: IMPORTANT

Marchesan S.A. reserves the right to improve and/or modify the technical features of its products, without obligation to do the same with those products already sold and without prior knowledge of the dealer or the consumer. The photos are only illustrative.

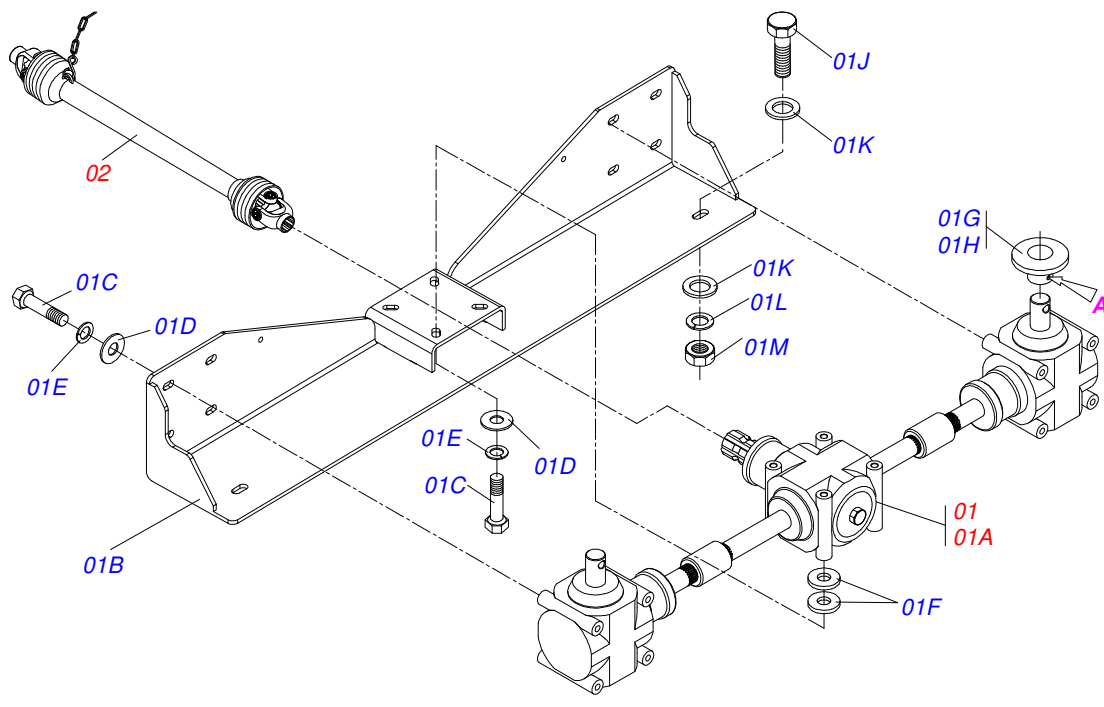


INDEX

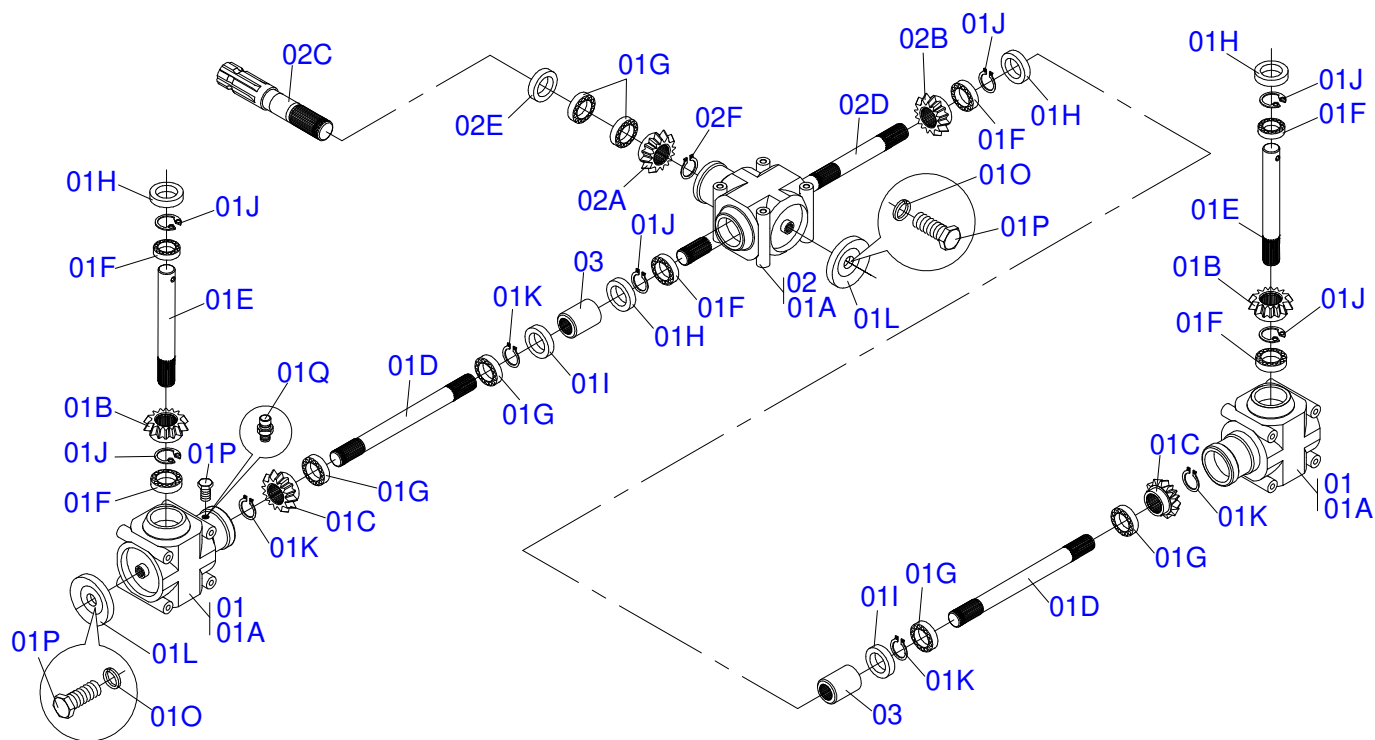
0511048625	DITRIBUTOR FRAME L A ASSY	1
0909092894	MULTIPLIER IMPEL COMPL DCA1500 LA CP	2
0503014177	TRANSMISSION HUB	3
0909092893	MULTIPLIER BONDIOLI COMPL DCA1500 LACP	4
0503013601	TRIPLE MULTIPLIER	5
0909092794	DISTRIBUTOR DISC	6
0909091350	DISTRIBUTOR DISC	7
0511044598	DRIVE SHAFT	8
0909090540	MIXER	8
0909091344	CONTROL VALVE ASSY	9
0909091346	RESERVOIR	10



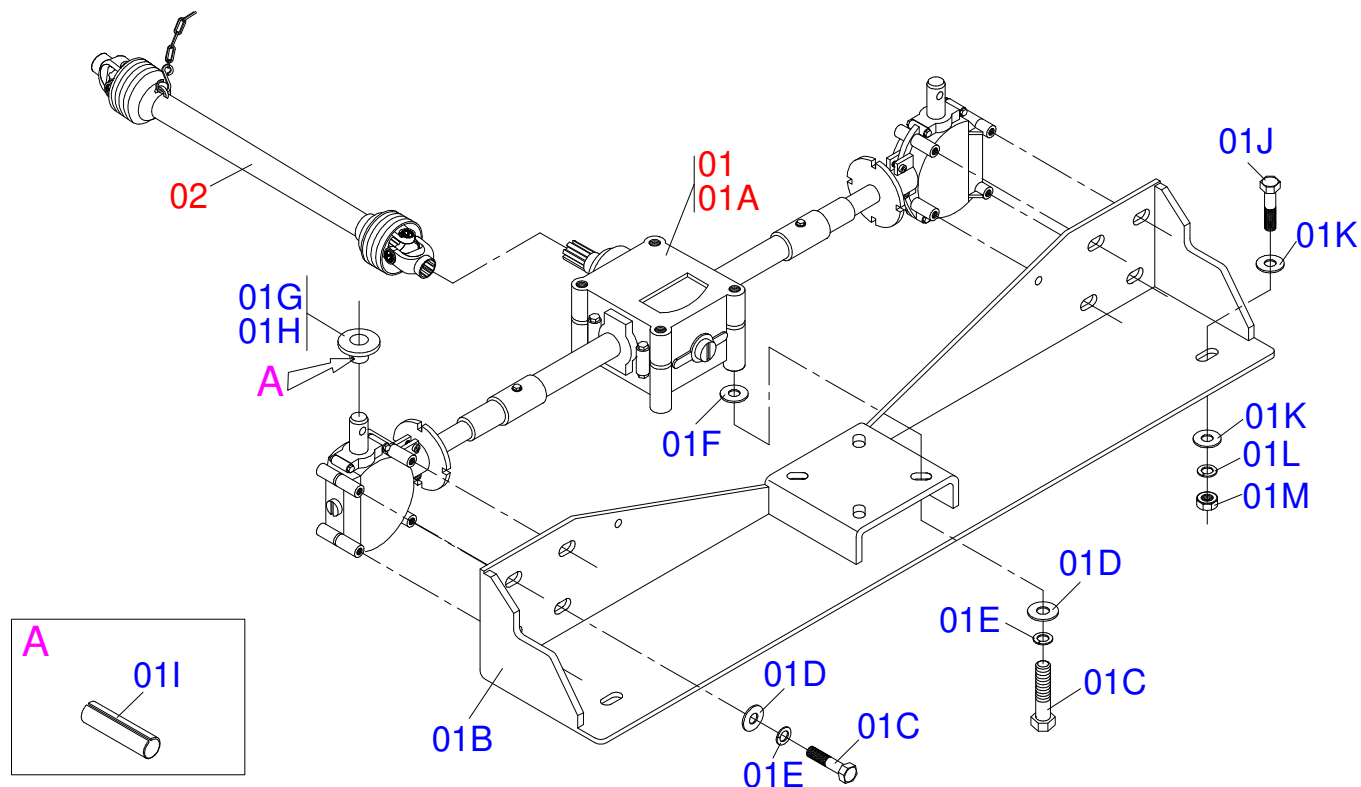
Item	Code	Description	See page	QT
01	0511048625	DITRIBUTOR FRAME L A ASSY	1	01
01A	0511066640	DISTRIBUTOR FRAME LA		01
01B	0521010596	COUPLING SHAFT		02
01D	0521010578	COUPLING SHAFT		01
01E	0503013686	3/8" UNC X 3/4" CS BOLT		05
01F	0503012535	3/8" SPRING WASHER		05
01G	0503012531	3/8" INOX NUT		03
01H	0531011431	FRONT PROTECTOR DCA 1500		01



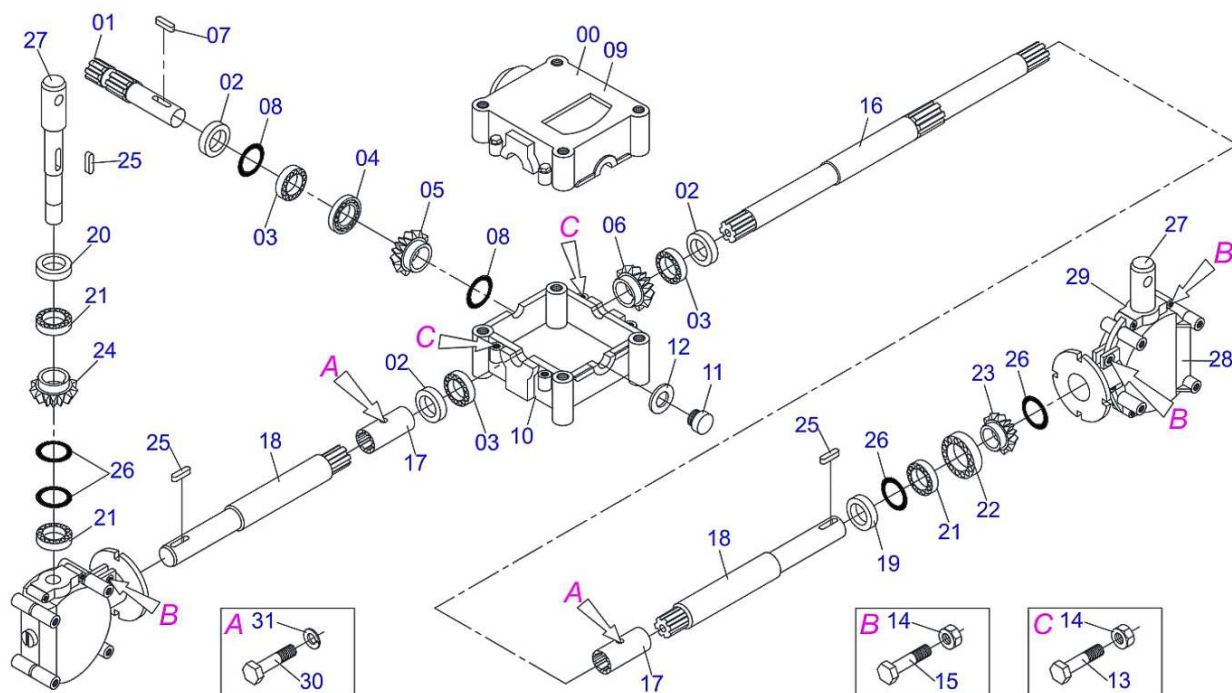
Item	Code	Description	See page
01	0501057109	MULTIPLIER SUPPORT	01
01A	0503014177	TRANSMISSION HUB	3 01
01B	0511067666	MULTIPLIER SUPPORT	01
01C	0503013897	M10 X 1,25 X 25 BOLT	12
01D	0501010984	FLAT WASHER	12
01E	0503010180	7/16" SPRING WASHER	12
01F	0541019128	FLAT WASHER	08
01G	0551011359	LH FIXER FLANGE DOSADOR DISC	01
01H	0551011358	RIGHT FIXER FLANGE DOSADOR DISC	01
01I	0503011265	10MM X 50MM SPRING PIN	01
01J	0503014007	1/2" X 1-1/4" BOLT	04
01K	0511017302	FLAT WASHER	08
01L	0503010019	1/2" SPRING WASHER	04
01M	0503010060	1/2" NUT	04
02	0511044598	DRIVE SHAFT	8 01



Item	Code	Description	See page	QT
00	0503014177	TRANSMISSION HUB	3	
01	0503061684	TRANSMISSION HUB		02
01A	0503014650	DCA 1500 LA-CP HUB		
01B	0503014651	CONICAL GEAR		01
01C	0503014652	CONICAL GEAR		01
01D	0503014653	DCA 1500 LA-CP AXLE		01
01E	0503014654	DCA 1500 LA-PC AXLE		01
01F	0503014655	RL-23 BEARING		02
01G	0503014656	RL-23 BEARING		02
01H	0503014657	RR-32 SEAL		01
01I	0503014658	RR-22 SEAL		01
01J	0503014659	INNER SPRING RING		02
01K	0503014660	OUTER SPRING RING		02
01L	0503014661	REDUTOR COVER		01
01M	0503014662	COVER		01
01N	0503014663	LEVEL PUMP		01N
01O	0503014664	JOINT PUNP		01
01P	0503014665	BREATHING HOLE PUNP		01
01Q	0503014666	BREATHING HOLE		01
02	0503061685	TRANSMISSION HUB		01
02A	0503014667	CONICAL GEAR		01
02B	0503014668	CONICAL GEAR		01
02C	0503014669	AXLE		01
02D	0503014670	AXLE		01
02E	0503014672	RR-33 SEAL		01
02F	0503014671	OUTER SPRING RING		01
03	0503014673	TRANSMISSION HUB SLEEVE		01



Item	Code	Description	See page
01	0501057814	MULTIPL BOND C/SUPT DCA 1500 LA CP	01
01A	0503013601	TRIPLE MULTIPLIER	5 01
01B	0511067666	MULTIPLIER SUPPORT	01
01C	0503010849	3/8" X 1-1/2" BOLT	12
01D	0501010984	FLAT WASHER	12
01E	0503010025	3/8" SPRING WASHER	12
01F	0541019128	FLAT WASHER	08
01G	0541014879	RIGHT FIXER FLANGE DOSADOR DISC	01
01H	0541015320	LH FIXER FLANGE DOSADOR DISC	01
01I	0503011265	10MM X 50MM SPRING PIN	01
01J	0503014007	1/2" X 1-1/4" BOLT	04
01K	0511017302	FLAT WASHER	08
01L	0503010019	1/2" SPRING WASHER	04
01M	0503010060	1/2" NUT	04
02	0511044598	DRIVE SHAFT	8 01



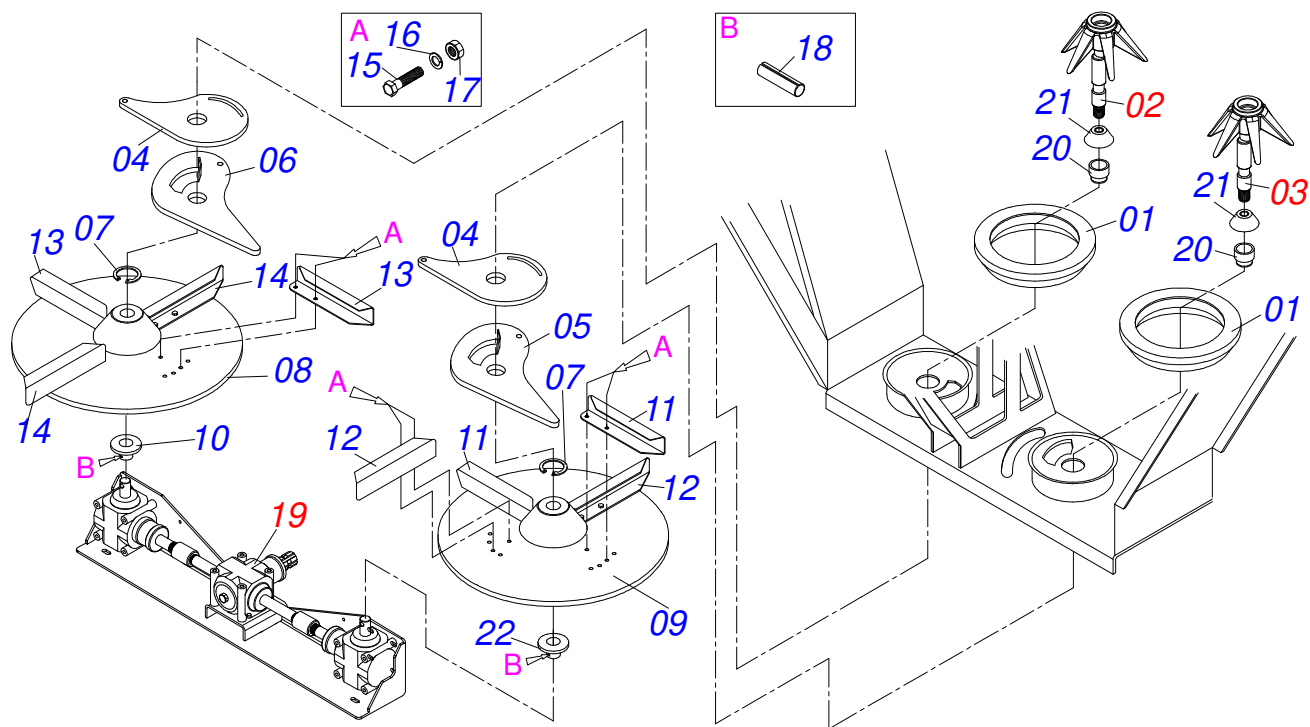
Item	Code	Description	See page
00	0503013601	TRIPLE MULTIPLIER	5
01	0503013854	CENTRAL HUB AXLE	01
02	0503013855	30 X 50 X 7 BRGSEAL RING	03
03	0503013856	6006 354102030 ROLLER BEARING	03
04	0503013857	30206 CONIC ROLLER BEARING	01
05	0503013858	17Z CONICAL GEAR	01
06	0503013859	15Z CONICAL GEAR	01
07	0503013860	8 X 7 X 22 KEYWAY	01
08	0503013861	SPRING RING	02
09	0503013862	CENTRAL HUB	01
10	0503013863	CENTRAL HUB	01
11	0503013864	3/8" BSP PLUG	03
12	0503013865	SEAL RING	03
13	0503013866	M 8 X 1,25 X 30 BOLT	08
14	0503013867	M 8 X 1,25 BOLT	20
15	0503013868	M 8 X 1,25 X 35 BOLT	12
16	0503013869	AXLE XY	01
17	0503013870	STRIATED SLEEVE	02
18	0503013871	26Z AXLE	02
19	0503013872	RETAINER	02
20	0503013873	RETAINER	02
21	0503013874	6205 BALL BEARING	06
22	0503013875	6305 BALL BEARING	02
23	0503013876	23Z CONICAL GEAR	02
24	0503013877	17Z CONICAL GEAR	02
25	0503013878	8 X 7 X 18 KEYWAY	04
26	0503013879	SPRING RING	08
27	0503013880	SIDE HUB AXLE	02
28	0503013881	LATERAL HUB	02
29	0503013882	LATERAL HUB	02
30	0503013883	M 6 X 20 X 1 BOLT	02



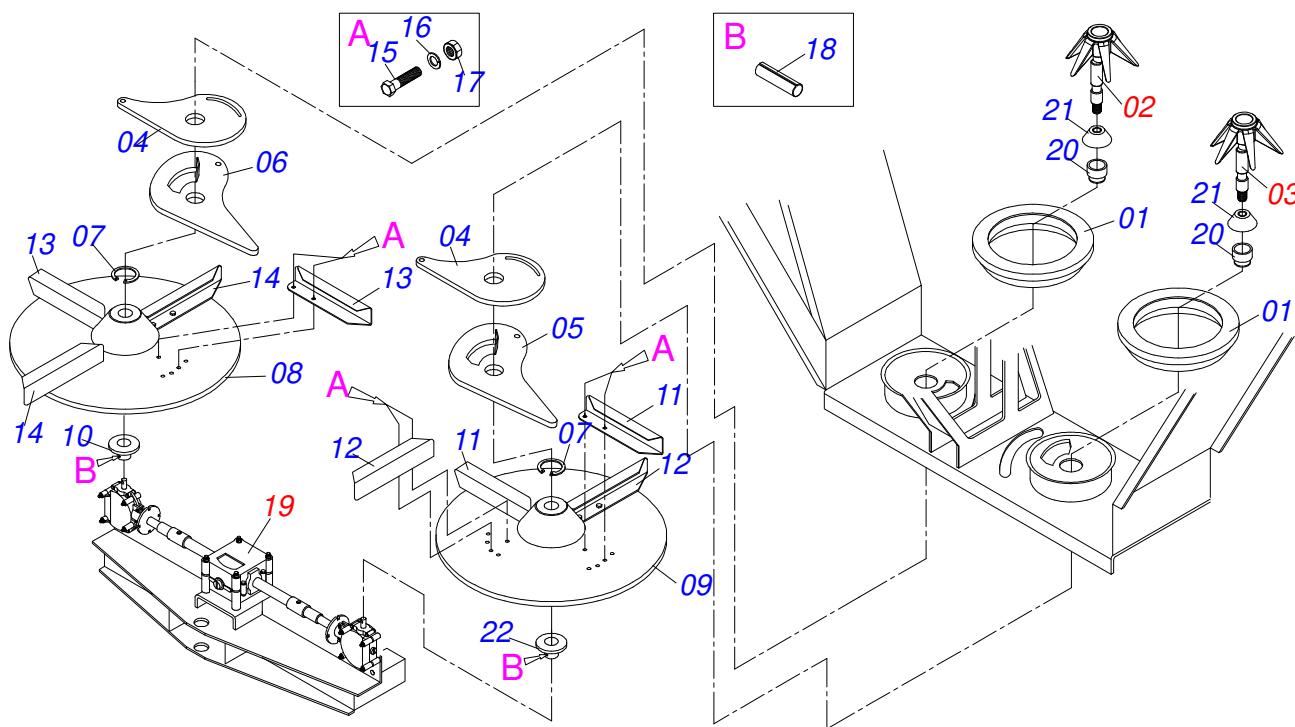
DCA LA CP 1200
TRIPLE MULTIPLIER

Page 5
0503013601

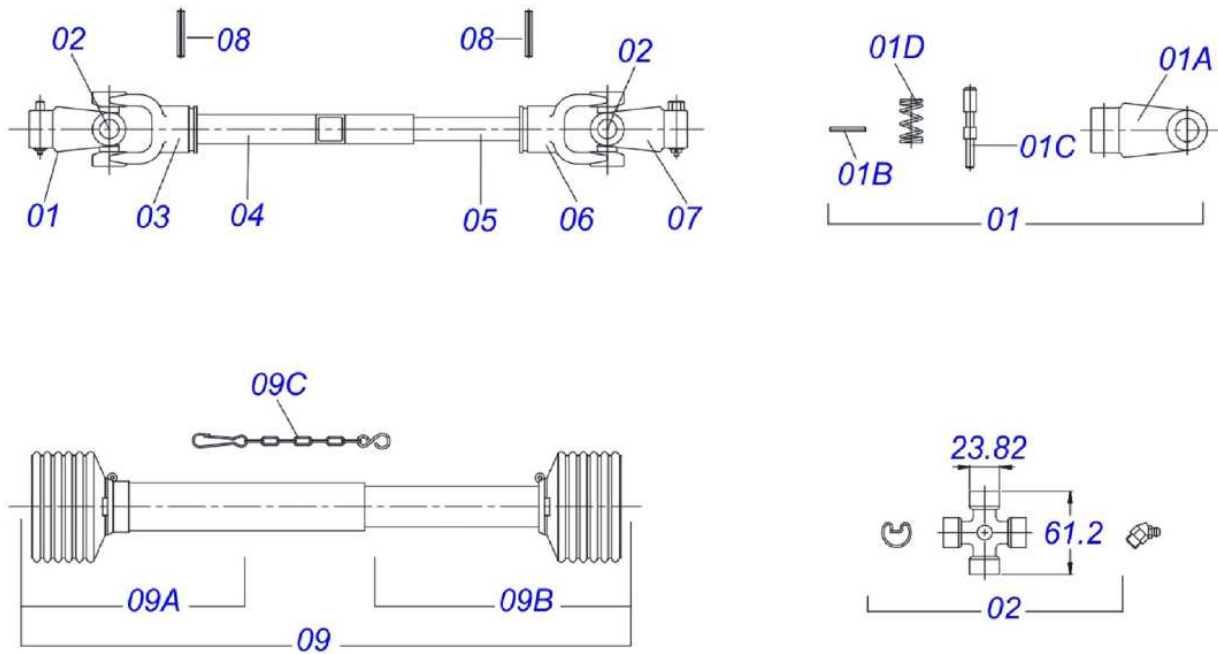
Item	Code	Description	See page
31	0503013884	SPRING WASHER	02
32	0503013885	STICKER IDENTIFICATION	01



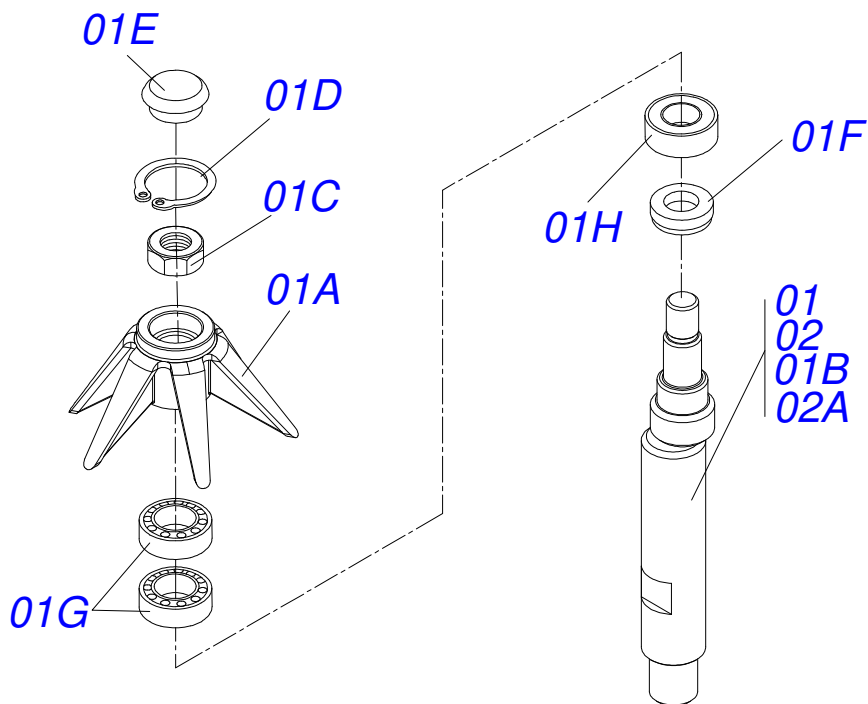
Item	Code	Description	See page
01	0503032131	RESERVOIR OUTPUT SOCKET BACKING	02
02	0501055881	RH MIXER ASSY	01
03	0501055882	LH MIXER ASSY	01
04	0541014854	UPPER REGULATOR DCA 1500	02
05	0511066268	LEFT LOWER REGULACION	01
06	0511066269	LOWER REGULACION	01
07	0503010217	501040 CLAMPING RING (FOR AXLE)	02
08	0531019169	RIGHT DISTRIBUTOR DISC ASSY	01
09	0531019181	LH DISTRIBUTOR DISC	01
10	0541014879	RIGHT FIXER FLANGE DOSADOR DISC	01
11	0531019512	LEFT FEATHERS	02
12	0531019197	LEFT FEATHERS	02
13	0531019511	RIGHT FEATHERS	02
14	0531019510	RIGHT FEATHERS	02
15	0503013686	3/8" UNC X 3/4" CS BOLT	16
16	0503012535	3/8" SPRING WASHER	16
17	0503012531	3/8" INOX NUT	16
18	0503011265	10MM X 50MM SPRING PIN	02
19	0909092894	MULTIPLIER IMPEL COMPL DCA1500 LA CP	2 01
20	0541014878	1500MM REGULATOR FIXER	02
21	0503032527	MIXER AXLE PROTECTOR DCA 1500	02
22	0541015320	LH FIXER FLANGE DOSADOR DISC	01



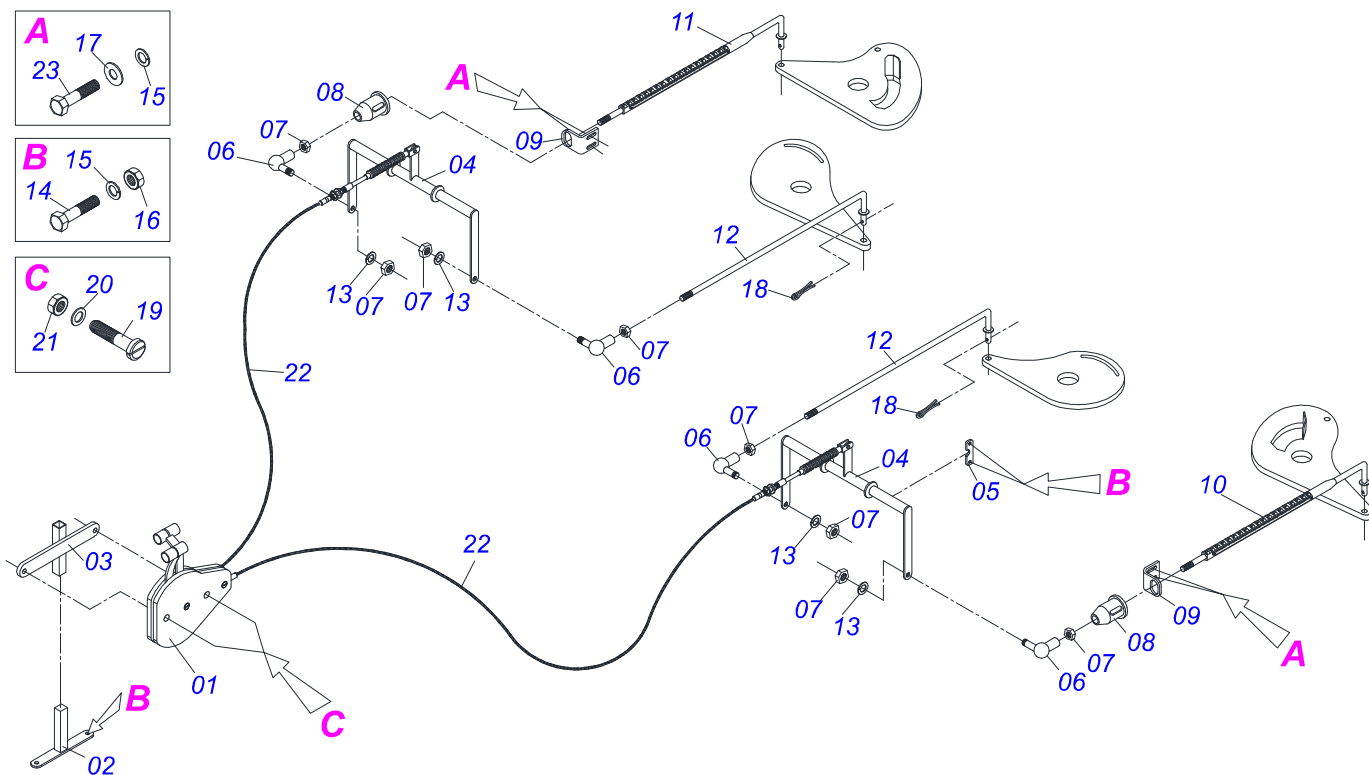
Item	Code	Description	See page
00	0909091350	DISTRIBUTOR DISC	7
01	0503032131	RESERVOIR OUTPUT SOCKET BACKING	02
02	0501055881	RH MIXER ASSY	01
03	0501055882	LH MIXER ASSY	01
04	0541014854	UPPER REGULATOR DCA 1500	02
05	0511066268	LEFT LOWER REGULACION	01
06	0511066269	LOWER REGULACION	01
07	0503010217	501040 CLAMPING RING (FOR AXLE)	02
08	0531019169	RIGHT DISTRIBUTOR DISC ASSY	01
09	0531019181	LH DISTRIBUTOR DISC	01
10	0551011358	RIGHT FIXER FLANGE DOSADOR DISC	01
11	0531019512	LEFT FEATHERS	02
12	0531019197	LEFT FEATHERS	02
13	0531019511	RIGHT FEATHERS	02
14	0531019510	RIGHT FEATHERS	02
15	0503013686	3/8" UNC X 3/4" CS BOLT	16
16	0503012535	3/8" SPRING WASHER	16
17	0503012531	3/8" INOX NUT	16
18	0503011265	10MM X 50MM SPRING PIN	02
19	0503014177	TRANSMISSION HUB	3 01
20	0541014878	1500MM REGULATOR FIXER	02
21	0503032527	MIXER AXLE PROTECTOR DCA 1500	02
22	0551011359	LH FIXER FLANGE DOSADOR DISC	01



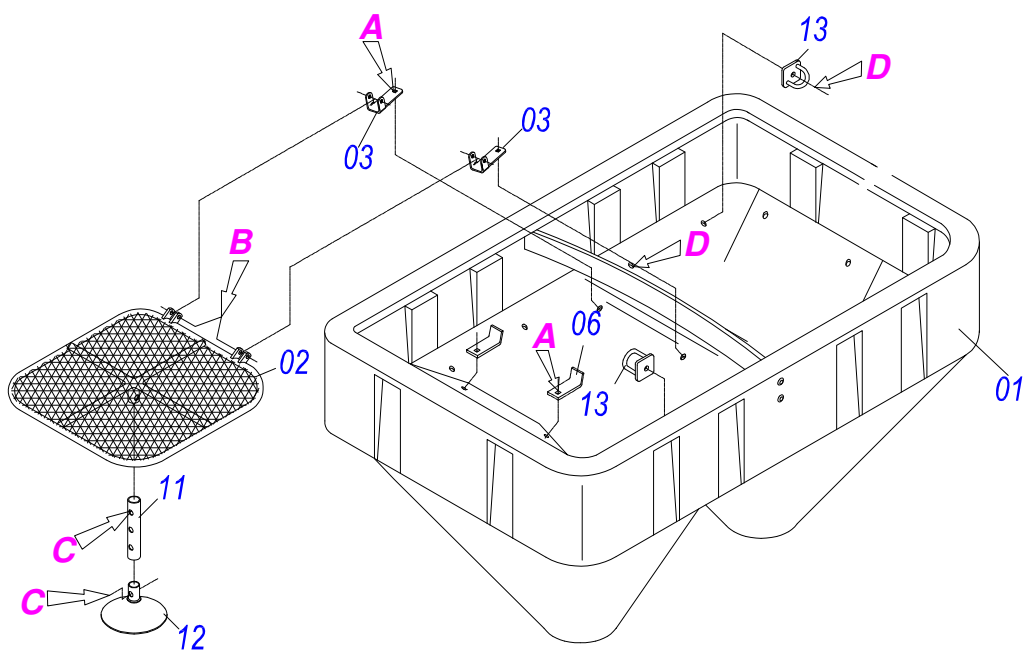
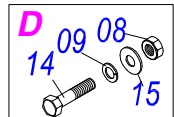
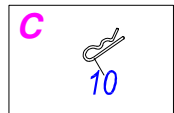
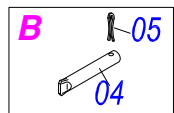
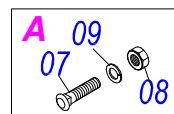
Item	Code	Description	See page
00	0511044598	DRIVE SHAFT	8
01	0501050332	1-20 TERMINAL	01
01A	0502010561	1-20 TERMINAL	01
01B	0503010838	0.1" X 0.8" SPRING PIN	01
01C	0521010637	0.5" X 3" COUPLING SHAFT	01
01D	0503030518	0.5"X1.0"X 0.1" COMPRESSION SPRING	01
02	0503010835	CARDAN CROSSPIECE	02
03	0502011426	2-20 TERMINAL	01
04	0521013797	0.9"X1.1"X31.5" SQUARE SLEEVE	01
05	0521013794	0.9" X 31.5 SQUARE SHAFT	01
06	0502011427	3-20 TERMINAL	01
07	0503013792	1-13 TERMINAL	01
08	0503013889	8 X 50 SPRING PIN	02
09	0503012268	PROTECTION ASSY	01
09A	0503012269	PROTECTION FOR UNIV JOINT SLEEVE	01
09B	0503012270	PROTECTION FOR UNIV JOINT AND AXLE	01
09C	0503012023	CHAIN FOR PROTECTION	02



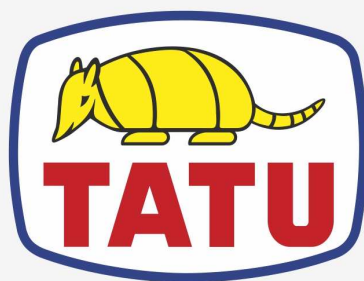
Item	Code	Description	See page	QT
01	0501055881	RH MIXER ASSY		01
01A	0502012578	MIXER		02
01B	0511067610	MIXER AXLE		01
01C	0503012136	NUT 1/2 NF		02
01D	0503011945	503050 CLAMPING RING (FOR AXLE)		04
01E	0541014884	MIXER LOWER COVER		02
01F	0503032530	MIXER PROTECTION COVER		02
01G	0503012882	BEARING		02
01H	0503010272	SEAL 00715-BA		02
02	0501055882	LH MIXER ASSY		01
02A	0511067609	LH MIXER AXLE		01



Item	Code	Description	See page
01	0503032533	COMMAND STEEL WHIT CABLE	01
02	0511066254	FIXER SUPPORT CONTROL VALVE	01
03	0511066255	CONTROL VALVE FIXER	01
04	0511066274	ARTICULATION	02
05	0541014859	ARTICULATION FIXER	04
06	0503013464	SPHERICAL TERMINAL	04
07	0503011051	M10 X 0.6" NUT	08
08	0503032547	REGULATOR	02
09	0541014862	BEATER REGULATOR	02
10	0503061554	LH REGULATOR	01
11	0503061555	REGULATOR	01
12	0511066610	ROD REGULATOR FLOW	02
13	0503012535	3/8" SPRING WASHER	04
14	0503011178	5/16" X 3/4" BOLT	14
15	0503011176	5/16" SPRING WASHER	14
16	0503011175	5/16" NICKEL-PLATED NUT	10
17	0521011039	FLAT WASHER	04
18	0503011174	1/8" X 3/4" COTTERPIN	02
19	0503013894	1/4" UNC X 2.1/2" BOLT	02
20	0521011039	FLAT WASHER	02
21	0503010144	1/4" NUT	02
22	0503013948	80E 75RT CABLE	02
23	0503010178	5/16" X 7/8" BOLT	04



Item	Code	Description	See page
01	0503031886	SEED FERTILIZER DEPOSIT W/LOCK	01
02	0511066308	SCREEN DCA 1500	02
03	0531019122	SIEVE LARGER FIXER	04
04	0521010535	COUPLING SHAFT	04
05	0503010140	1/8" X 3/4" COTTERPIN	04
06	0541016895	SIEVE LOWER FIXER	04
07	0501010243	1/2" X 1-1/2" BOLT	08
08	0503010020	1/2"NUT	12
09	0503010019	1/2" SPRING WASHER	12
10	0503030168	HAIR PIN	04
11	0541016889	13 X 16 X 110 DCA 1500 TUBE	02
12	0511066609	FERTILIZER BOX DEFLECTOR	02
13	0511066716	TRANSPORT SUPPORT	02
14	0501010161	1/2" X 1.1/4" BOLT	04
15	0511017302	FLAT WASHER	04



MARCHESAN

Technical Publications | Elaboration and Revision

JOSÉ DOMINGOS GASPARI

www.marchesan.com.br

