

PARTS CATALOG

ROTARY CUTTERS

RC2 1500 CDE

Code: 0501091379



Series: S-0214

Rev.: 00

Date Rev.: AGOSTO/2019

ORIGINAL PARTS
TATU



PRODUCTS

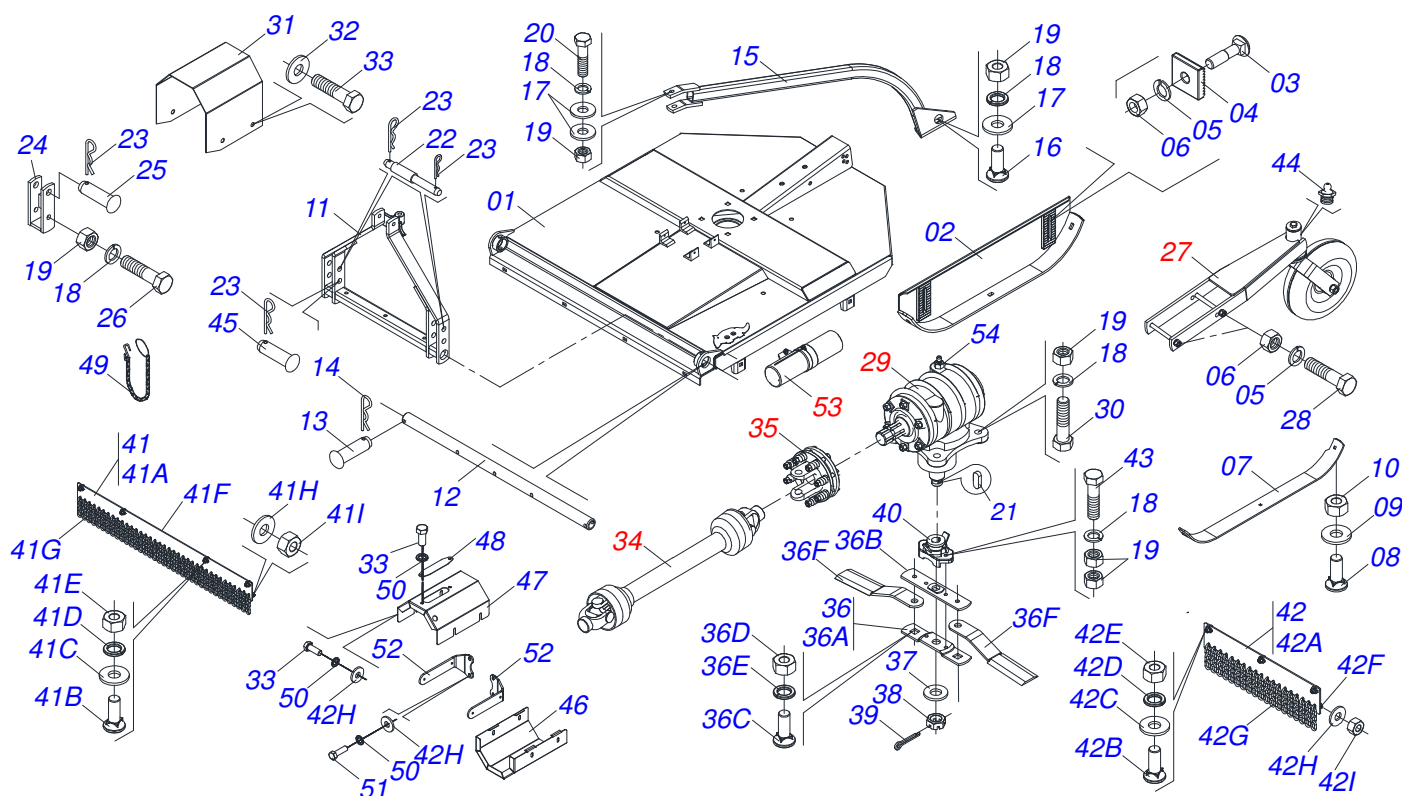
Code	Description
0104020052	RC2 1500 CENT/DIR/ESQ C/P C/R S0214
0104020051	RC2 1500 CENT/DIR/ESQ S/R EXP S0214
0104020050	RC2 1500 CENTR/DIR/ESQ C/R EXP S214

ATTENTION: **IMPORTANT**

MARCHESAN S/A RESERVES THE RIGHT AT ANY TIME TO MAKE IMPROVEMENTS IN THE DESIGN, MATERIAL OR SPECIFICATIONS OF MACHINERY, EQUIPMENT OR PARTS WITHOUT THEREBY BECOMING LIABLE TO MAKE SIMILAR CHANGES IN MACHINERY, EQUIPMENT OR PARTS PREVIOUSLY SOLD.

INDEX

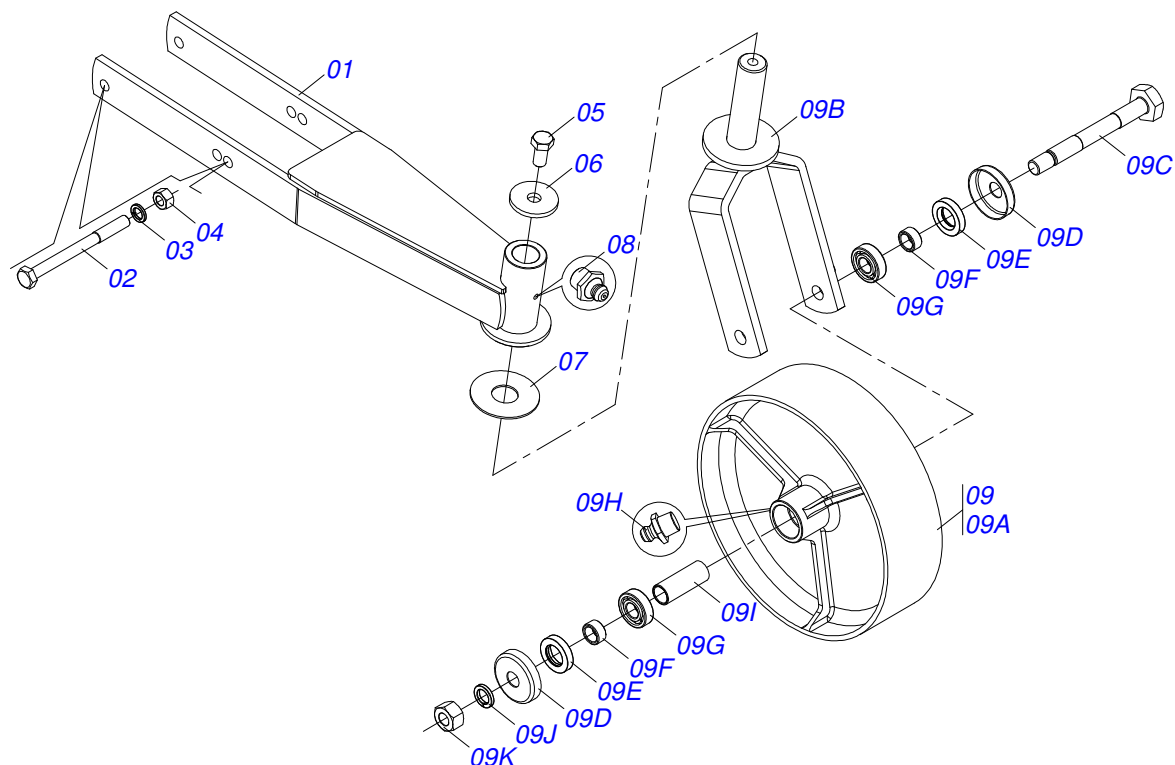
0909090725	FRAME ASSY	1
0511047301	CARRYING WHEELS ASSY	2
0501046851	MULTIPLIER	3
0501043660	FRICTION	4
0501047949	DRIVE SHAFT	5



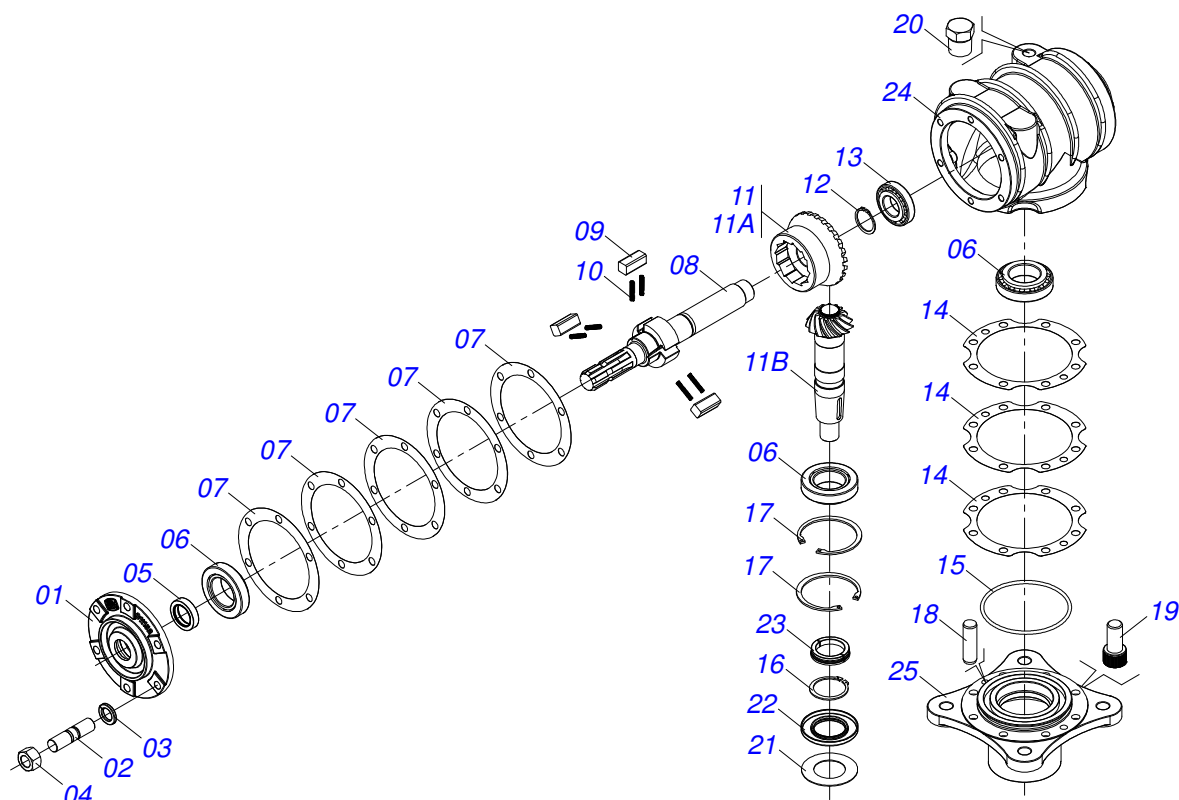
Item	Code	Description	See page	QT
01	0521065558			01
02	0511064762	50"SKATE		02
03	0501014177	5/8" X 2-1/2" BOLT		04
04	1902010083	SQUARE WASHER		04
05	0503010027	SPRING WASHER		06
06	0503010013	5/8" NUT		06
07	0531019433	SKID GUIDE		02
08	0503012956	1/2" X 1-1/2" BOLT		06
09	0511017302	FLAT WASHER		06
10	0503012682	1/2" BSW NUT		06
11	0511067768	DRAWBAR		01
12	0551011724	PIVOT FIXER TUBE		01
13	0551011714	COUPLING SHAFT		03
14	0503030168	HAIR PIN		05
15	0521065585	FRENCH HAND		01
16	0501017305	3/4" X 2-1/4" BOLT		01
17	0501010322	FLAT WASHER		02
18	0503010023	SPRING WASHER		07
19	0503010014	3/4" NUT		07
20	0501010216	3/4" X 4-1/2" BOLT		01
21	0501010536	KEYWAY SQUARE		02
22	0521013311	RC2 1300 AXLE		02
23	0503031035	HAIR PIN		06
24	0501066445	PIVOT DOUBLE BAR		01
25	0521010578	COUPLING SHAFT		01
26	0503011198	C3/4" X 6" BOLT		01
27	0511047301	CARRYING WHEELS ASSY	2	01
28	0503010795	5/8" X 7" BOLT		02
29	0501046851	MULTIPLIER	3	01
30	0503013122	3/4" X 4-1/4" BOLT		04
31	0531017832	PROTECTION COVER		01



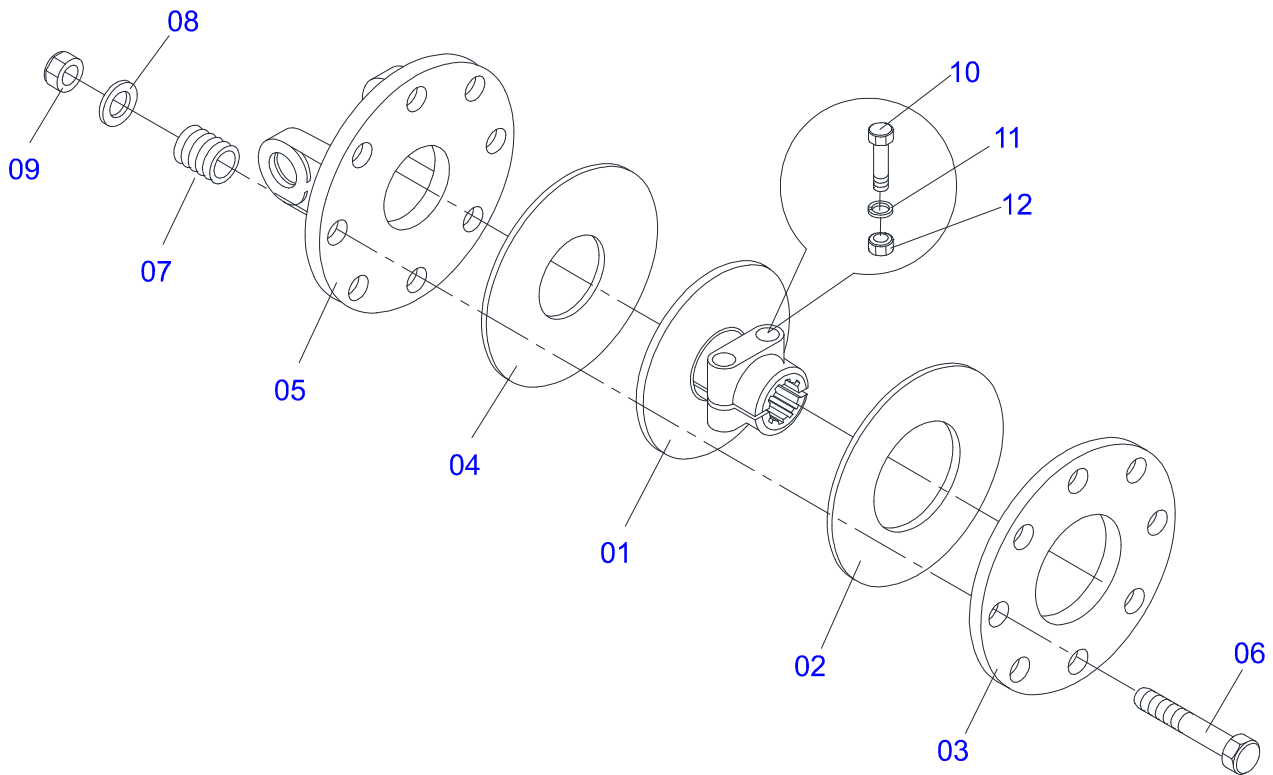
Item	Code	Description	See page	QT
32	0503010025	3/8 SPRING WASHER		04
33	0503010256	3/8" X 3/4" BOLT		04
34	0501047949	DRIVE SHAFT	5	01
35	0501043660	FRICITION	4	01
36	0501056321	SUPPORT ROTARY CUTTER BLADES		01
36A	0561017368	ROTARY LOWER SUPPORT		01
36B	0561017308	SUPPORT UPPER BASE		01
36C	0511019000	BOLT		02
36D	0503010812	7/8" SELF-ADJUSTING NUT		02
36E	0503011447	SPRING WASHER		02
36F	0622400054	24.5" X 3.94" X 0.5" ROTARY CUTTER		02
37	0501017779	FLAT WASHER		01
38	0503010817	1-1/4" SELF-ADJUSTING NUT		01
39	0503010131	3/16" X 1-1/2" COTTERPIN		01
40	0502012453	SUPPORT FLANGE		01
41	0521050678	CHAIN PROTECTION (FRONT)		01
41A	0581013924	FRONT CURRENT PROTECTION (1340)		01
41B	0501011600	1/2" X 1-1/4" BOLT		04
41C	0511017302	FLAT WASHER		04
41D	0503010019	1/2" SPRING WASHER		04
41E	0503012682	1/2" BSW NUT		04
41F	0581013925	ROD CHAIN PROTECTION		01
41G	0511011774	8,00 CHAIN 4 LINK		44
41H	0501810984	FLAT WASHER		02
41I	0503013759	NUT		02
42	0521050677	REAR CURRENT PROTECTION		03
42A	0581013923	REAR CURRENT PROTECTION (1340)		03
42B	0501011600	1/2" X 1-1/4" BOLT		03
42C	0511017302	FLAT WASHER		03
42D	0503010019	1/2" SPRING WASHER		03
42E	0503012682	1/2" BSW NUT		03
42F	0581012997	CURRENT PROTECTION BAR 690		03
42G	0511011774	8,00 CHAIN 4 LINK		57
42H	0501010984	FLAT WASHER		06
42I	0503013759	NUT		06
43	0503011328	3/4" X 4" BOLT		02
44	0503010002	1800 GREASE FITTING		01
45	0521010596	COUPLING SHAFT		02
46	0581011777	BODY LOWER PROTECTION COAT		01
47	0521067419	CARDAN SUPERIOR PROTECTION COVER		01
48	0581012546	LUBRICATION AXIS TRANSMISSION		01
49	0503011981	17.7" CHAIN WITH HOOK/LINK		01
50	0503010025	3/8 SPRING WASHER		10
51	0503010751	C3/8" X 1.1/4" HEX BOLT G.5		04
52	0581011779	FIXER BODE CAP		02
53	0521051872	DOOR ASSY INSTRUCTION MANUAL RC2 1300/1500/1700		01
54	0501110186	OIL SMALLER LEVEL INDICATOR		02



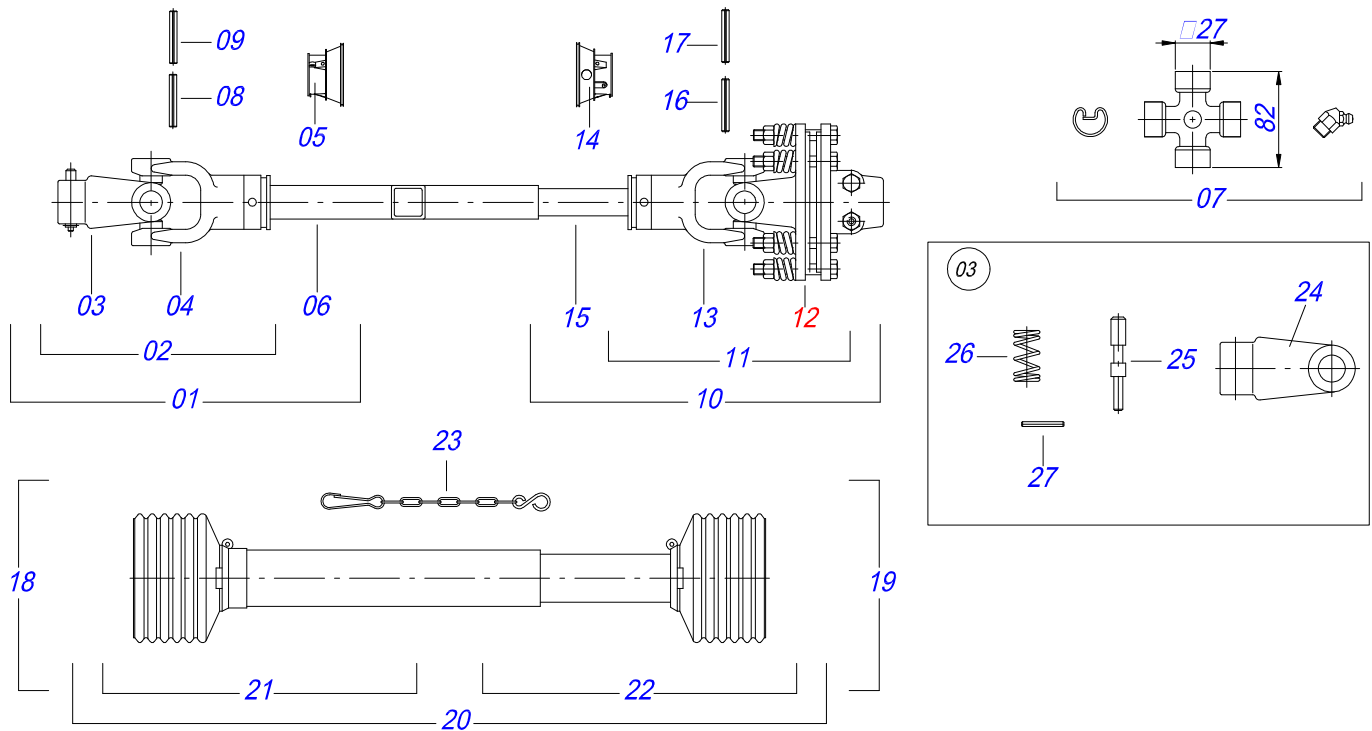
Item	Code	Description	See page	QT
01	0521065281	WHEEL SUPPORT		01
02	0503010795	5/8" X 7" BOLT		02
03	0503010027	SPRING WASHER		02
04	0503010013	5/8" NUT		02
05	0503010962	5/8" X 1-1/4" BOLT		01
06	0511010721	FLAT WASHER		01
07	0511013239	FLAT WASHER		01
08	0503010002	1800 GREASE FITTING		01
09	0501058460	CARRYING WHEELS		01
09A	0502012519	350 X 100 WHEEL ASSY		01
09B	0501065266	WHELL FORK		01
09C	0501017143	WHEEL AXLE		01
09D	0511014254	DUST CLOAK		02
09E	0503010268	00262-B SEAL		02
09F	0521010487	SPACER WASHER		02
09G	0503010269	6204 BALL BEARING		02
09H	0503010002	1800 GREASE FITTING		01
09I	0521010460	0.9" X 1.1" X 2.9" SLEEVE		01
09J	0503011442	3/4" SPRING WASHER		01
09K	0503010014	3/4" NUT		01



Item	Code	Description	See page	QT
01	0502011152	SMALLER COVER		01
02	0503030084	1/2" X 1/2" X 2.0" STUD		06
03	0503011440	SPRING WASHER		06
04	0503010028	1/2" NUT		06
05	0503011171	00912-BRG SEAL		01
06	0503010006	32210 ROLLER BEARING		03
07	0503030783	7.1" X 5.3" X 0.008" JOINT		05
08	0503050063	UPPER AXLE		01
09	0501010649	RATCHET CLICK		03
10	0503030051	0.2" X 1" X 0.1" COMPRESSION SPRING		06
11	0503060210	CROWN PINION SET		01
11A	0503050074	25Z CONICAL GEAR		01
11B	0503061048	PINION		01
12	0503010217	501040 CLAMPING RING (FOR AXLE)		01
13	0503010037	30207 ROLLER BEARING		01
14	0503030785	7.9" X 5.9" X 0.008" JOINT		03
15	0503010286	2-355 N 3006-9B O-RING		01
16	0503010396	501060 CLAMPING RING (FOR AXLE)		01
17	0503011190	SEAL RING		02
18	0503017877	PIN GUIDE		02
19	0503010562	1/2" X 1" BOLT		08
20	0503031604	1/2" BSP PLUG		01
21	0521018064	FLAT WASHER		01
22	0503011047	5089 SEAL		01
23	0511010142	LOCK RING		01
24	0502010984	LEFT MULTIPLIER BOX		01
25	0502011393	LOWER HUB		01



Item	Code	Description	See page	QT
01	0503011869	CENTRAL FLANGE		01
02	0503031478	OUTER FRICTION DISC		01
03	0503011870	REAR FLANGE		01
04	0503031474	INNER FRICTION DISC		01
05	0503011868	FRONT FLANGE		01
06	0503010752	1/2" X 3.1/2" BOLT		08
07	0503030630	1.02"X1.3"X0.2" COMPRESSION SPRING		08
08	0511017302	FLAT WASHER		08
09	0503011336	1/2" HEX SELF ADJUSTING NUT		08
10	0503010741	1/2" X 2-3/4" BOLT		02
11	0503010019	1/2" SPRING WASHER		02
12	0503010060	1/2" NUT		02



Item	Code	Description	See page	QT
01	0501051715	UNIVERSAL JOINT		01
02	0501050265	UNIVERSAL JOINT		01
03	0501050333	1-40 TERMINAL WITH HITCH		01
04	0502010565	2-40 TERMINAL W/ SH 1.5"/1.5"		01
05	0503012069	ADAPTER FOR BUSHING PROTECT		01
06	0501017429	31" X 1.5" SQUARE SLEEVE		01
07	0503010836	CARDAN CROSSPIECE		02
08	0503011069	0.4" X 2.8" SPRING PIN		01
09	0503010510	0.2" X 2.6" SPRING PIN		01
10	0501051716	UNIVERSAL JOINT WITH SHAFT		01
11	0501050466	UNIVERSAL JOINT WITH CROSSPIECE		01
12	0501043660	FRICITION	4	01
13	0502010566	3-40 TERMINAL W/ SH 1.2"/1.2"		01
14	0503012070	ADAPTER FOR AXLE PROTECTION		01
15	0501017425	1.2" X 31.5" SQUARE SHAFT		01
16	0503010361	SPRING PIN		01
17	0503010756	0.2" X 2.4" SPRING PIN		01
18	0501051701	UNIVERSAL JOINT WITH SLEEVE/PROT		01
19	0501051702	UNIVERSAL JOINT WITH AXLE/PROT		01
20	0503012077	PROTECTION ASSY		01
21	0503012078	PROTECTION FOR UNIV JOINT AND SLEEV		01
22	0503012079	PROTECTION FOR UNIV JOINT AND AXLE		01
23	0503012023	CHAIN FOR UNIV JOINT PROTECTION		02
24	0502010563	1-40 STRIATED 1.3/8" TERMINAL		01
25	0521010638	0.5" X 3.3" QUIC HITCH COUPL SHAFT		01
26	0503030518	0.5"X1.0"X 0.1" COMPRESSION SPRING		01
27	0503010838	0.1" X 0.8" SPRING PIN		01



MARCHESAN IMPLEMENTOS E MÁQUINAS AGRÍCOLAS TATU S.A.

AV. Marchesan, 1979 - Post office box, 131 - CEP 15994-900 - Matão - SP - Brazil

Phone +55 16.3382-8282

(FAX Parts) + 55 16.3382. 8297 - (Export) + 55 16.3382.1003

e.mail: tatu@marchesan.com.br www.marchesan.com.br

Technical Publications: Elaboration

LUIZ CANDIDO

Technical Publications: Revision

ALESSANDRA PATRICIA KAWAHARA CARRILI

Contact Catálogo:

E-mail = jgaspari@marchesan.com.br

**ORIGINAL PARTS
TATU**

