

## ROTARY CUTTERS

**Code:**

0501091371

**Product:**

ROP2 1500 DM



**Series:**

S-1195

**Revision:**

00

**Date Revision:**

FEVEREIRO/2005



# PRODUCTS

Code	Description	
0104030008C	ROP2 1500	EXP S-1195
0104030008	ROP2 1500	S-1195

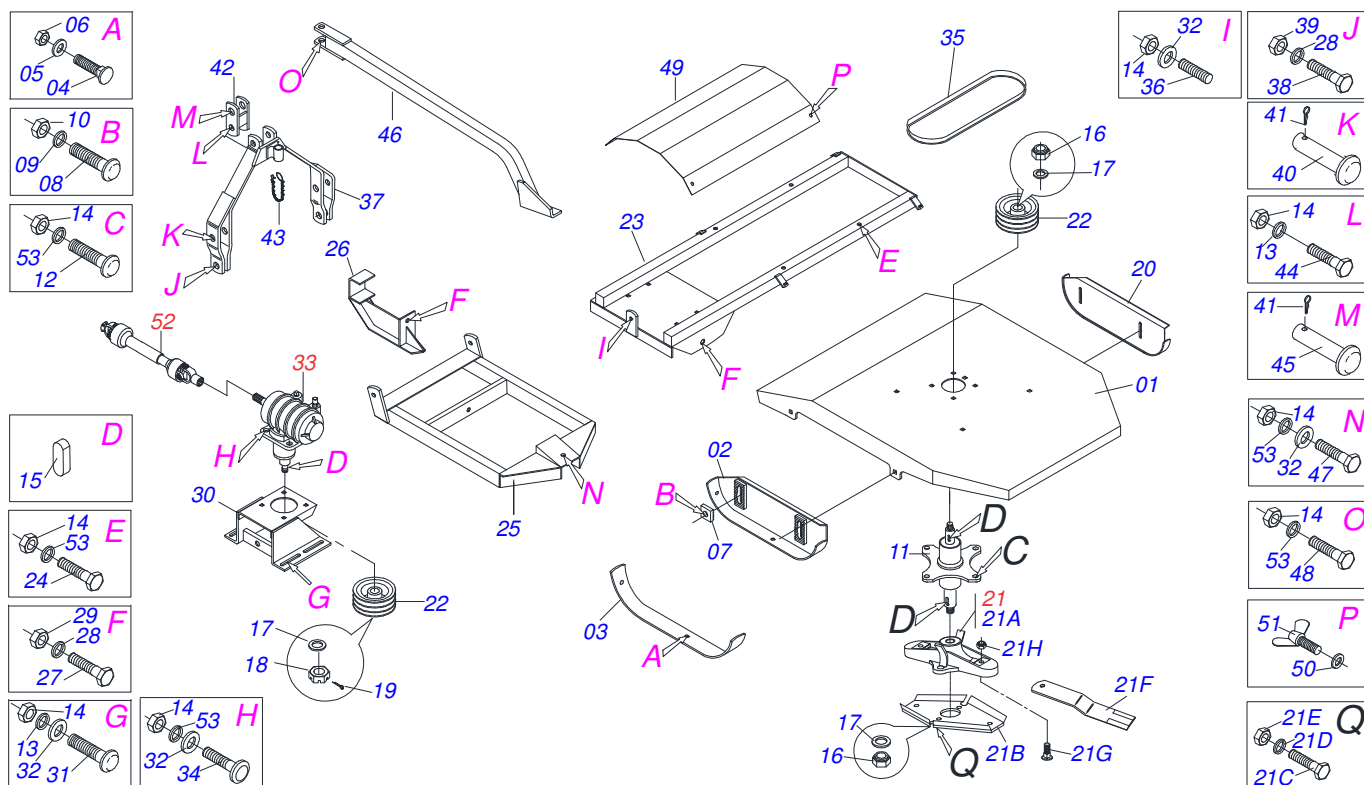
## ATTENTION: IMPORTANT

Marchesan S.A. reserves the right to improve and / or modify the technical features of its products, without obligation to do the same with those products already sold and without prior knowledge of the dealer or the consumer.



# INDEX

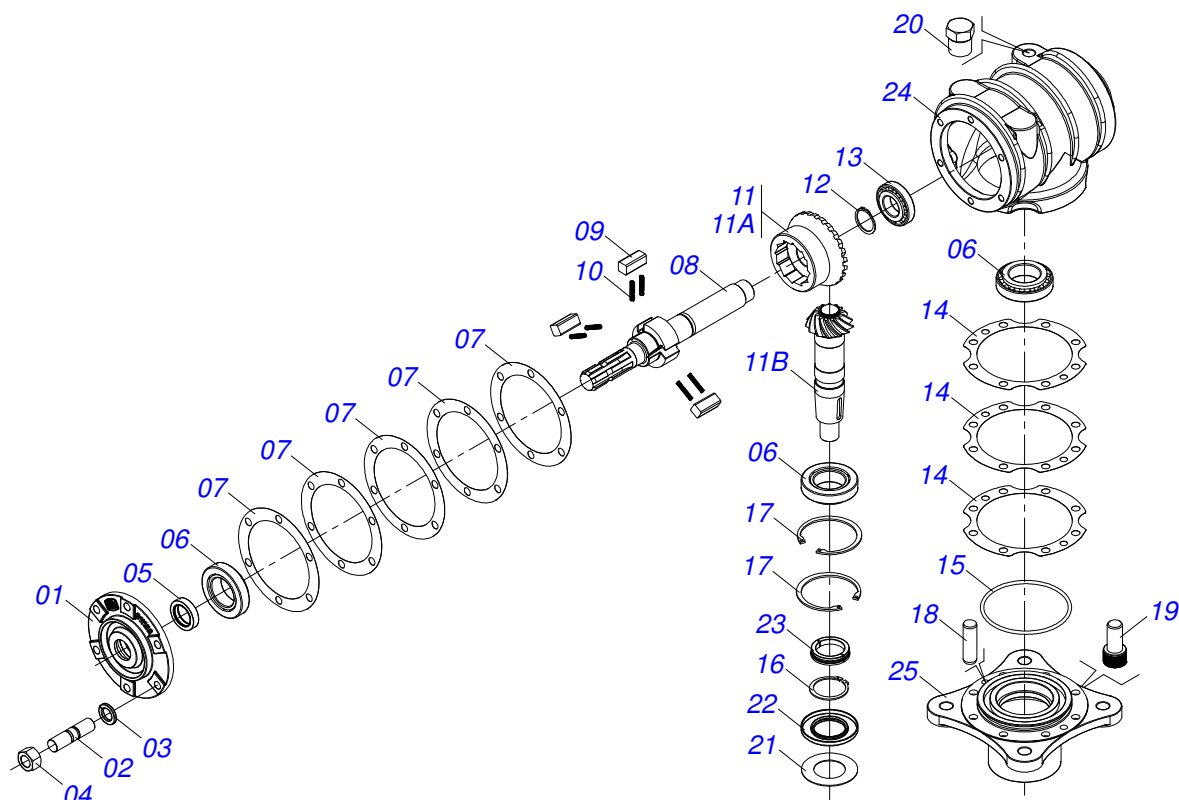
0909091428	ROP 1500 S-0205	.....	1
0501046851	MULTIPLIER	.....	2
0511043567	ROTARY CUTTERS HUB ASSY	.....	3
0501043642	RUBBER WHEEL ASSY	.....	4
0501047947	DRIVE SHAFT	.....	4
0909091430	(SHEET METAL SUPPORT)SPARE	.....	5



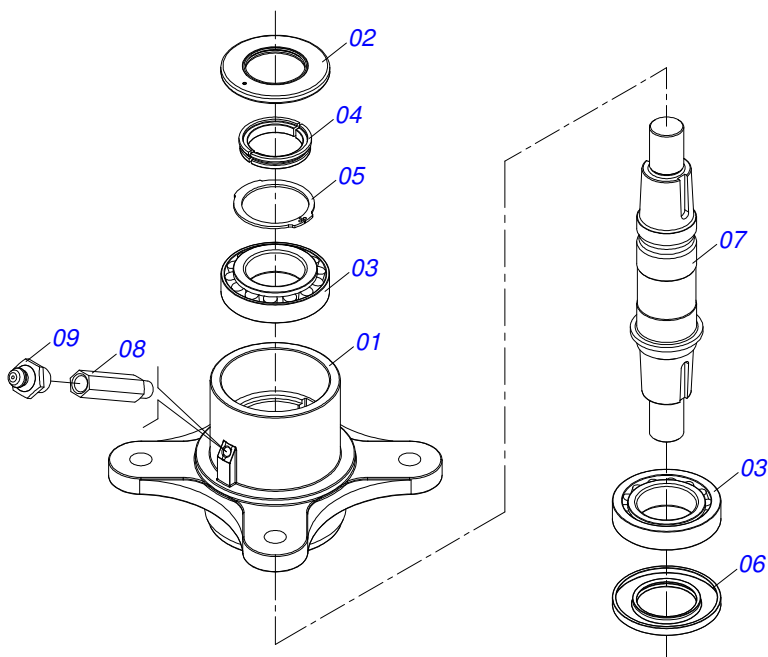
Item	Code	Description	See page
01	0511065172	FRAME ROP2 1500 S-1003	01
02	0511065173	RIGHT SKATE	01
03	0531019433	SKID GUIDE	02
04	0503012956	1/2" X 1-1/2" BOLT	04
05	0511017302	FLAT WASHER	04
06	0503010020	1/2"NUT	04
07	0502010083	SQUARE WASHER	04
08	0501014177	5/8" X 2-1/2" BOLT	04
09	0503010027	5/8" SPRING WASHER	04
10	0503010013	5/8" NUT	04
11	0511043567	ROTARY CUTTERS HUB ASSY	3 01
13	0503010023	3/4" SPRING WASHER	05
15	0501010536	KEYWAY SQUARE	08
16	0503010817	1.1/4" SELF LOCKING NUT	02
17	0501017779	32 X 60 X 4.75 FLAT WASHER	03
18	0503011052	1.1/4" X 0.77" CASTLE NUT	01
19	0503010067	3/16" X 2.1/2" COTTER PIN	01
20	0511065174	LEFT SKATE	01
21	0501056321	SUPPORT ROTARY CUTTER BLADES	01
21A	0502012275	ROTARY SUPPORT	01
21B	0541013321	ROTARY FIXER SUPPORT PROT	01
21C	0501010098	3/4" UNC BOLT	02
21D	0503011442	3/4" SPRING WASHER	02
21E	0503010014	3/4" NUT	02
21F	0622400054	24.5" X 3.94" X 0.5" ROTARY CUTTER	02
21G	0541013328	FASTERNER ROCADORES	02
21H	0503010063	1" SELF-ALIGNING NUT	02
22	0502011377	REEL 190 X 50 PULLEY	02
23	0501067840	FRAME SUPPORT	24
24	0503011084	3/4" X 5" BOLT	04
25	0511064377	DRAWBAR SUPPORT	01



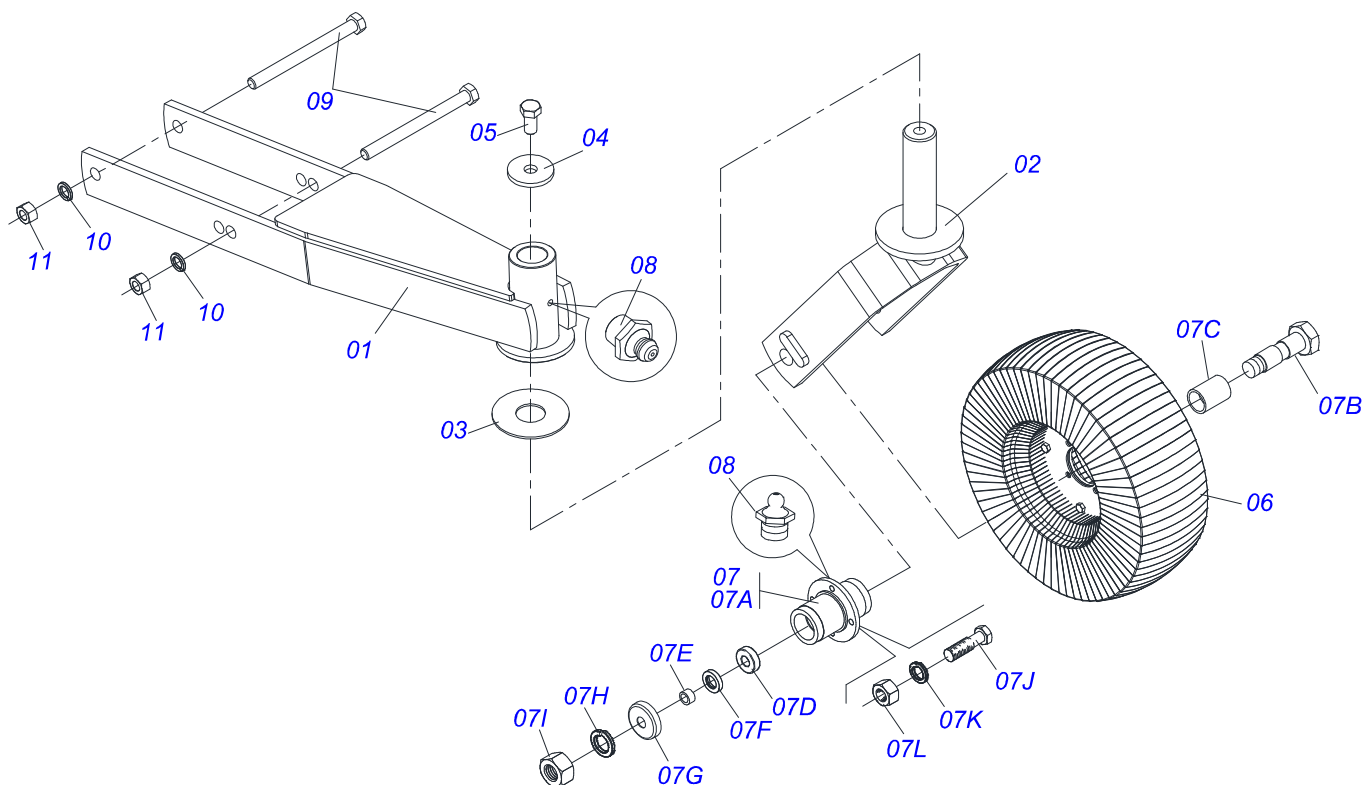
Item	Code	Description	See page
26	0501063027	MIDDLE SKATE	01
27	0501014685	PIVOT SHAFT	02
28	0503011438	SPRING WASHER	04
29	0503010340	1" NUT	02
30	0501067831	MULTIPLIER SUPPORT	01
31	0501017307	3/4" X 2" BOLT	04
32	0501010322	FLAT WASHER	10
33	0501046851	MULTIPLIER	2 01
34	0501017305	3/4" X 2-1/4" BOLT	04
35	0503010808	C-120 BELT	04
36	0501013451	282 TENSIONER BODY	03
37	0501067832	DRAWBAR	01
38	0501010171	PARAFUSO 1 UNC X 3.1/2 C S G.5	02
39	0501010059	1.5/8 NUT	02
40	0521010596	COUPLING SHAFT	02
41	0503031035	HAIR PIN	03
42	0501066445	PIVOT DOUBLE BAR	01
43	0503011981	17.7" CHAIN WITH HOOK/LINK	01
44	0503011198	C3/4" X 6" SCREW	01
45	0521010578	COUPLING SHAFT	01
46	0501067540	FRENCH HAND	01
47	0501017305	3/4" X 2-1/4" BOLT	01
48	0501010216	3/4" X 4-1/2" BOLT	01
49	0501062629	PROTECTION COVER	01
50	0501010984	FLAT WASHER	06
51	0503012904	3/8" BUTTERFLY BOLT	06
52	0501047947	DRIVE SHAFT	4 01
53	0503011442	3/4" SPRING WASHER	14



Item	Code	Description	See page	QT
01	0502011152	SMALLER COVER		01
02	0503030084	1/2" X 1/2" X 2.0" STUD		06
03	0503011440	SPRING WASHER		06
04	0503010028	1/2" NUT		06
05	0503011171	00912-BRG SEAL		01
06	0503010006	32210 ROLLER BEARING		03
07	0503030783	7.1" X 5.3" X 0.008" JOINT		05
08	0503050063	UPPER AXLE		01
09	0501010649	RATCHET CLICK		03
10	0503030051	0.2" X 1" X 0.1" COMPRESSION SPRING		06
11	0503060210	CROWN PINION SET		01
11A	0503050074	25Z CONICAL GEAR		01
11B	0503061048	PINION		01
12	0503010217	501040 CLAMPING RING (FOR AXLE)		01
13	0503010037	30207 ROLLER BEARING		01
14	0503030785	7.9" X 5.9" X 0.008" JOINT		03
15	0503010286	2-355 N 3006-9B O'RING		01
16	0503010396	501060 CLAMPING RING (FOR AXLE)		01
17	0503011190	SEAL RING		02
18	0503017877	PIN GUIDE		02
19	0503010562	1/2" X 1" BOLT		08
20	0503031604	1/2" BSP PLUG		01
21	0521018064	FLAT WASHER		01
22	0503011047	5089 SEAL		01
23	0511010142	LOCK RING		01
24	0502010984	LEFT MULTIPLIER BOX		01
25	0502011393	LOWER HUB		01

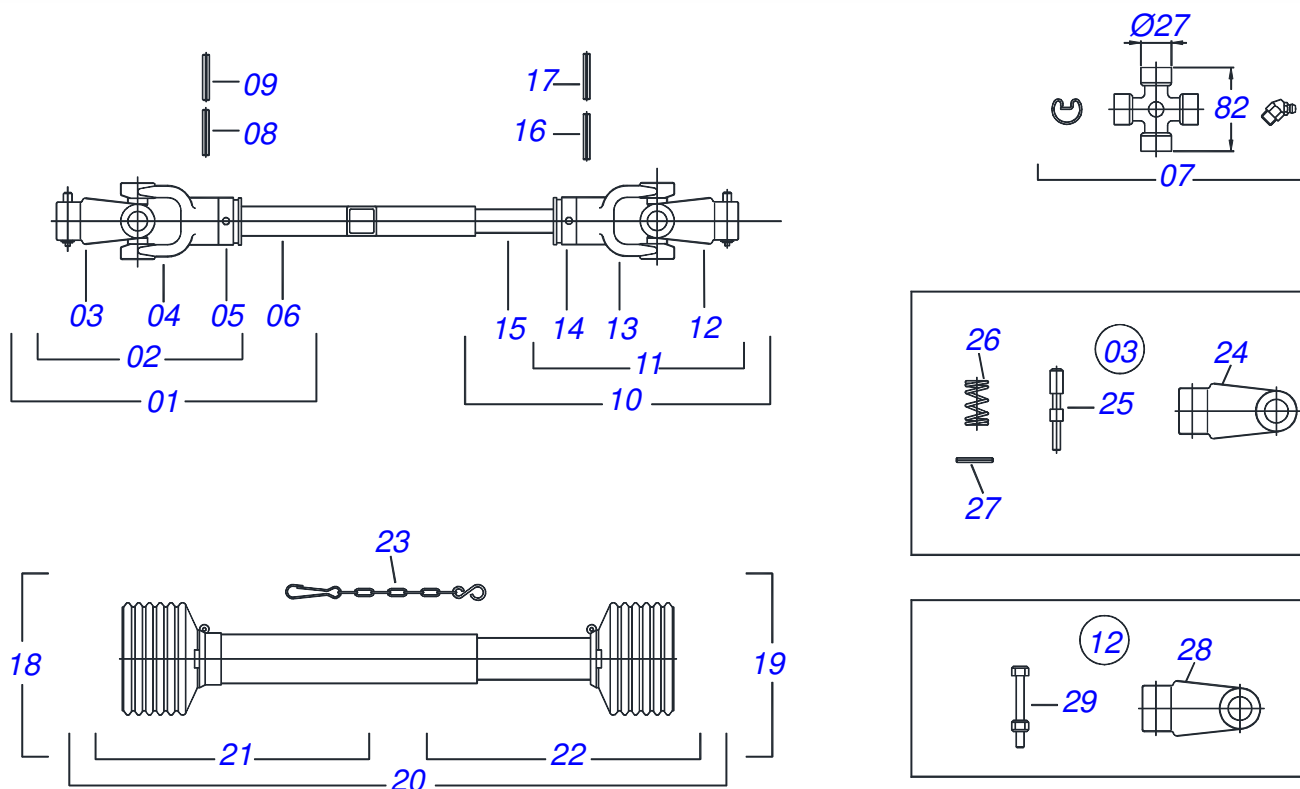


Item	Code	Description	See page	QT
01	0502012294	DROP HUB		01
02	0503013201	ARCA 6016 BRG SEAL		01
03	0503012418	32211 ROLLER BEARING		02
04	0541014445	LOCK RING		01
05	0503012311	501065 RENO RING		01
06	0503013211	6016 BRG SEAL		01
07	0541014095	ROTARY CUTTERS SMALLER AXLE		01
08	0501019757	EXTENSION GREASE FITTING		01
09	0503010002	1800 GREASE FITTING		01

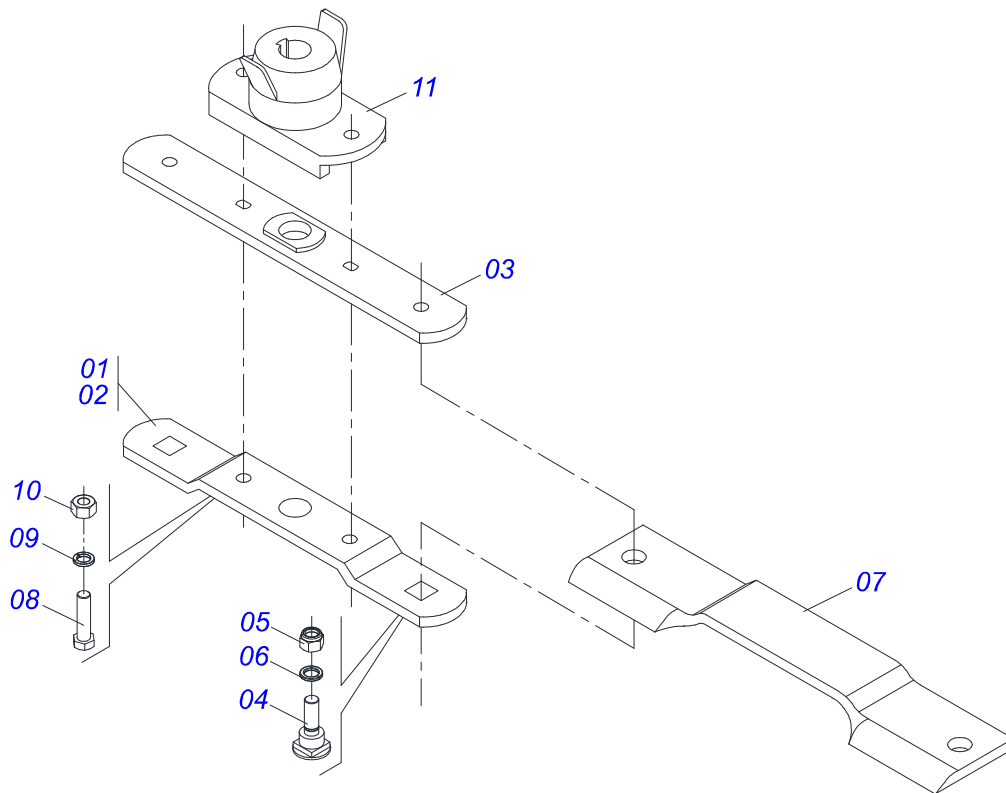


Item	Code	Description	See page	QT
01	0501069375	WHEEL SUPPORT		01
02	0501065266	WHELL FORK		01
03	0511013239	FLAT WASHER		01
04	0511010721	FLAT WASHER		01
05	0503010962	5/8" X 1-1/4" BOLT		01
06	0501050433	TIRE WHELL		01
07	0501051587	WHEELS BOX ASSY		01
07A	0502011286	WHEELS BOX ASSY		01
07B	0501017143	WHEEL AXLE		01
07C	0521010460	0.9" X 1.1" X 2.9" SLEEVE		01
07D	0503010269	6204 BALL BEARING		02
07E	0521010487	SPACER WASHER		02
07F	0503010268	00262-B SEAL		02
07G	0511014254	DUST CLOAK		01
07H	0503010023	3/4" SPRING WASHER		01
07I	0503010014	3/4" NUT		04
07J	0501010080	3/8" BOLT		04
07K	0503010025	3/8" SPRING WASHER		04
07L	0503010026	3/8" NUT		02
08	0503010002	1800 GREASE FITTING		01
09	0503010795	5/8" X 7" BOLT		02
10	0503010027	5/8" SPRING WASHER		02
11	0503010013	5/8" NUT		02





Item	Code	Description	See page
01	0501050271	UNIVERSAL JOINT WITH SLEEVE	01
02	0501050265	UNIVERSAL JOINT	01
03	0501050333	1-40 TERMINAL WITH HITCH	01
04	0502010565	2-40 TERMINAL W/ SH 1.5"/1.5"	01
05	0503012069	ADAPTER FOR BUSHING PROTECT	01
06	0501017429	31" X 1.5" SQUARE SLEEVE	01
07	0503010836	CARDAN CROSSPIECE	01
08	0503011069	0.4" X 2.8" SPRING PIN	01
09	0503010510	0.2" X 2.6" SPRING PIN	01
10	0501050866	UNIVERSAL JOINT WITH SHAFT	01
11	0501050449	UNIVERSAL JOINT	01
12	0501052526	T8-40 TERMINAL WITH SCREW	01
13	0502010566	3-40 TERMINAL WITH SH 1.2"/1.2"	01
14	0503012070	ADAPTER FOR AXLE PROTECTION	01
15	0501017425	1.2" X 31.5" SQUARE SHAFT	01
16	0503010361	SPRING PIN	01
17	0503010756	0.2" X 2.4" SPRING PIN	01
18	0501051696	UNIVERSAL JOINT WITH SLEEVE PROTECTION	01
19	0501051697	UNIVERSAL JOINT WITH AXLE PROTECTION	01
20	0503012071	PROTECTION ASSY	01
21	0503012072	PROTECTION FOR UNIV JOINT AND SLEEV	01
22	0503012073	PLASTIC PROTECTION FOR AXLE JOINT	01
23	0503012023	CHAIN FOR PROTECTION	02
24	0502010563	1-40 STRIATED 1.3/8" TERMINAL	01
25	0521010638	0.5" X 3.3" QUIC HITCH COUPL SHAFT	01
26	0503030518	0.5"X1.0"X 0.1" COMPRESSION SPRING	01
27	0503010838	0.1" X 0.8" SPRING PIN	01
28	0502010876	8-40 STRIATED 1.3/8 TERMINAL	01
29	0501047756	1/2" X 3" SET PARTS	01



Item	Code	Description	See page	QT
01	0501056326	SUPPORT WITH ROTARY CUTTER BLADES		01
02	0561017368	ROTARY LOWER SUPPORT		01
03	0561017308	SUPPORT UPPER BASE		01
04	0511019000	BOLT		02
05	0503010812	7/8" UNF SELF LOCKING NUT		02
06	0503011447	SPRING WASHER		02
07	0622400057	21.6" X 3.94" X 0.5" ROTARY CUTTER		02
08	0503010901	3/4UNC 3.1/2 BOLT		02
09	0503010023	3/4" SPRING WASHER		02
10	0503010014	3/4" NUT		02
11	0502012453	SUPPORT FLANGE		01





[www.marchesan.com.br](http://www.marchesan.com.br)



**Technical Publications | Elaboration and Revision**  
LUIZ CANDIDO