

ROTARY CUTTERS

Code:

0501091370

Product:

ROP2 1500 CM

**Series:**

S-1195

Revision:

00

Date Revision:

FEVEREIRO/2005



PRODUCTS

Code	Description	
0104030012	ROP2 1500 ROCADOR CM	S-1195

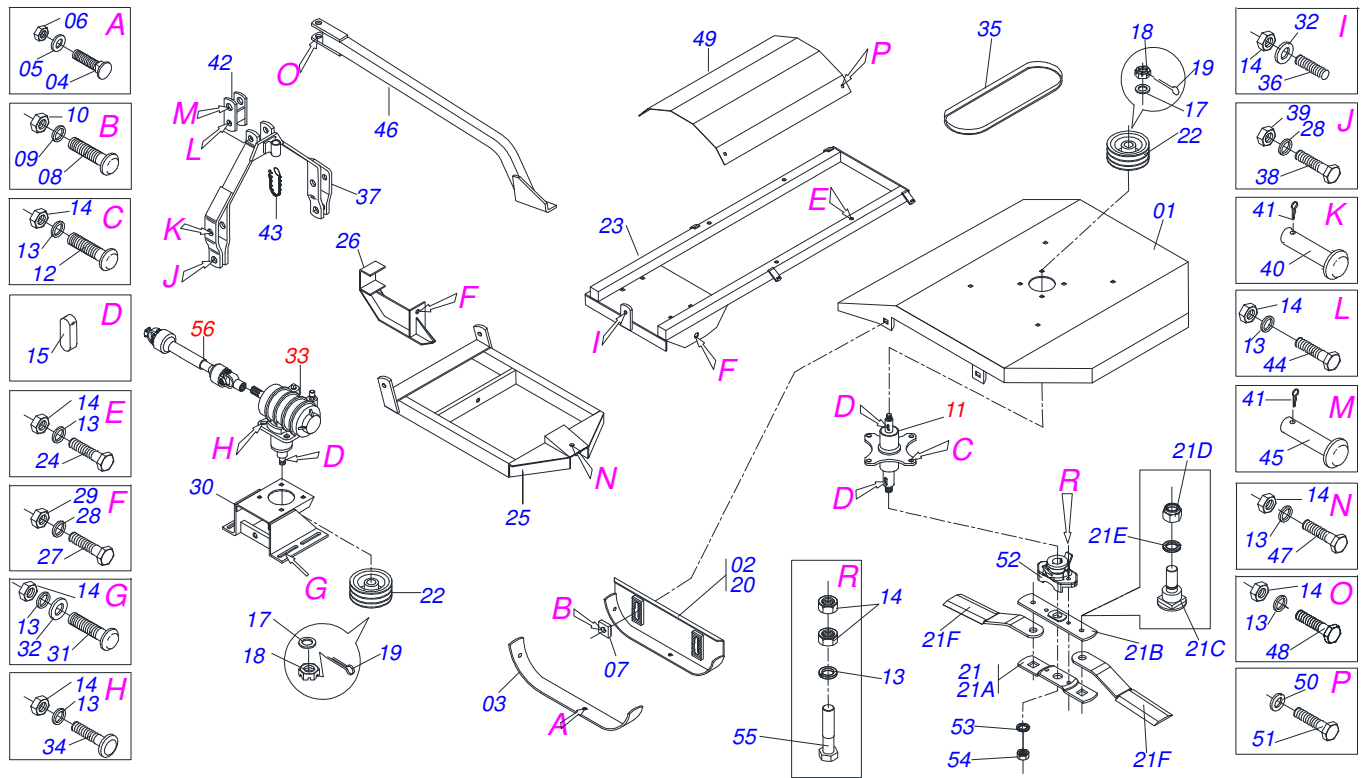
ATTENTION: IMPORTANT

Marchesan S.A. reserves the right to improve and / or modify the technical features of its products, without obligation to do the same with those products already sold and without prior knowledge of the dealer or the consumer.



INDEX

0909090518	ROP2 1500 S-0205	1
0511043567	ROTARY CUTTERS HUB ASSY	2
0501046851	MULTIPLIER	3
0501047947	DRIVE SHAFT	4

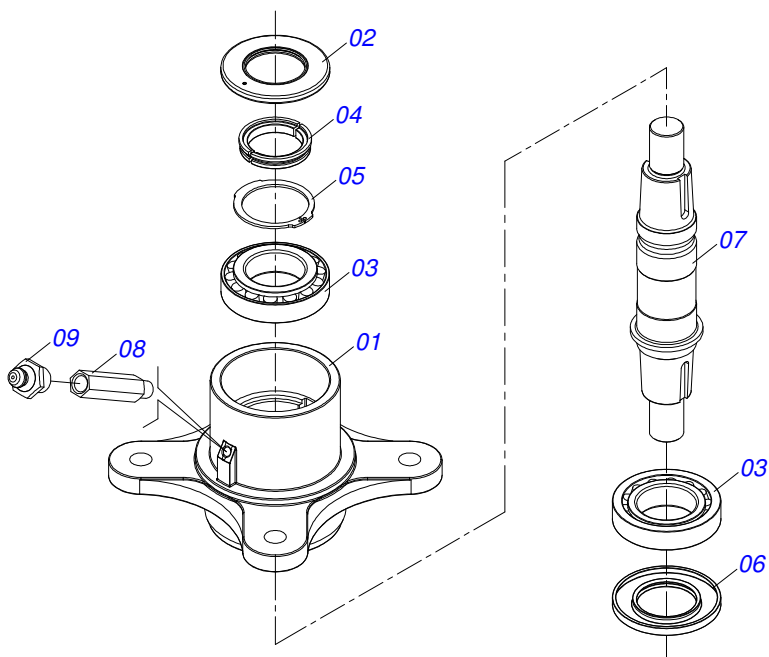


Item	Code	Description	See page	QT ROP2 S0205
01	0511065172	FRAME ROP2 1500 S-1003		01
02	0521066193	RIGHT SKATE		01
03	0531019433	SKID GUIDE		02
04	0503012956	1/2" X 1-1/2" BOLT		04
05	0511017302	FLAT WASHER		04
06	0503010020	1/2"NUT		04
07	0502010083	SQUARE WASHER		04
08	0501014177	5/8" X 2-1/2" BOLT		04
09	0503010027	5/8" SPRING WASHER		04
10	0503010013	5/8" NUT		04
11	0511043567	ROTARY CUTTERS HUB ASSY	2	01
12	0501018576	3/4" X 3" BOLT		04
13	0503010023	3/4" SPRING WASHER		26
14	0503010014	3/4" NUT		28
15	0501010536	KEYWAY SQUARE		08
16	0503010817	1.1/4" SELF LOCKING NUT		02
17	0501017779	32 X 60 X 4.75 FLAT WASHER		03
18	0503011052	1.1/4" X 0.77" CASTLE NUT		01
19	0503010067	3/16" X 2.1/2" COTTER PIN		01
20	0521066192	LEFT SKATE		01
21	0501057422	SUPPORT ROTARY CUTTER BLADES		01
21A	0561017368	ROTARY LOWER SUPPORT		01
21B	0561017308	SUPPORT UPPER BASE		01
21C	0511019000	BOLT		02
21D	0503010812	7/8" UNF SELF LOCKING NUT		02
21E	0503011447	SPRING WASHER		02
21F	0622340055	ROTARY CUTTER		02
22	0502011377	REEL 190 X 50 PULLEY		02
23	0501067840	FRAME SUPPORT		01
24	0503011084	3/4" X 5" BOLT		04
25	0511064377	DRAWBAR SUPPORT		01

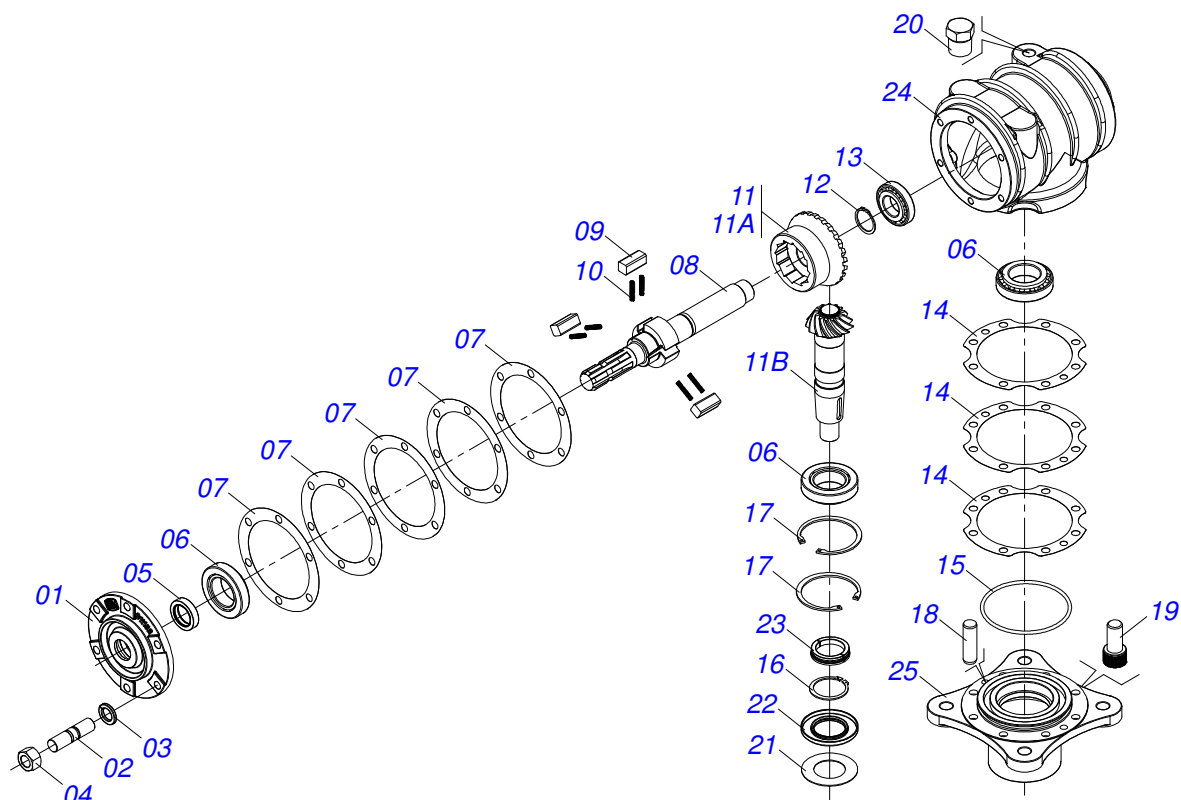


ROP2 1500 CM
ROP2 1500 S-0205

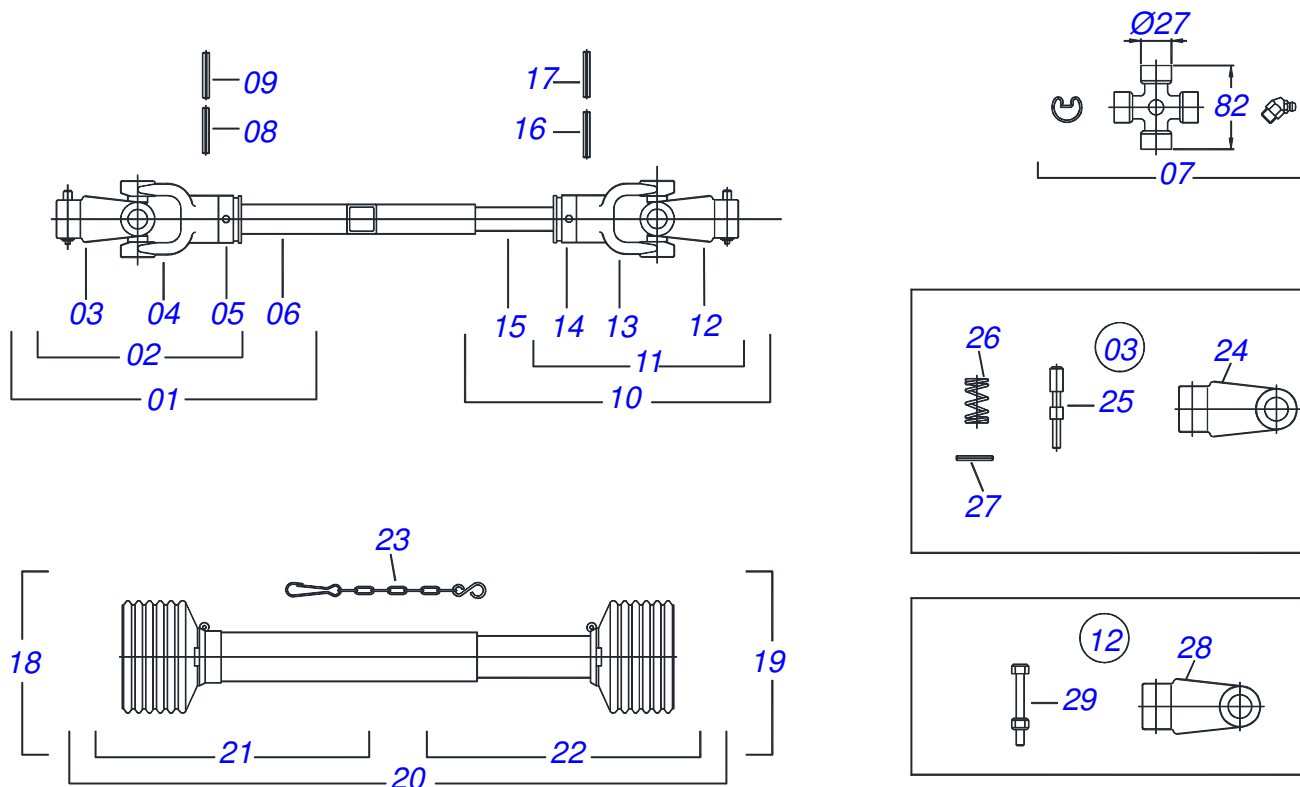
Item	Code	Description	See page	QT ROP2 S0205
26	0501063027	MIDDLE SKATE		01
27	0501014685	PIVOT SHAFT		02
28	0503011438	SPRING WASHER		06
29	0503010340	1" NUT		02
30	0501067831	MULTIPLIER SUPPORT		01
31	0501017307	3/4" X 2" BOLT		04
32	0501010322	FLAT WASHER		13
33	0501046851	MULTIPLIER	3	01
34	0501017305	3/4" X 2-1/4" BOLT		04
35	0503010808	C-120 BELT		04
36	0501013451	282 TENSIONER BODY		03
37	0501067832	DRAWBAR		01
38	0501010171	PARAFUSO 1 UNC X 3.1/2 C S G.5		02
39	0501010059	1.5/8 NUT		02
40	0521010596	COUPLING SHAFT		02
41	0503031035	HAIR PIN		03
42	0501066445	PIVOT DOUBLE BAR		01
43	0503011981	17.7" CHAIN WITH HOOK/LINK		01
44	0503011198	C3/4" X 6" SCREW		01
45	0521010578	COUPLING SHAFT		01
46	0501067540	FRENCH HAND		01
47	0501017305	3/4" X 2-1/4" BOLT		01
48	0501010216	3/4" X 4-1/2" BOLT		01
49	0511064379	PROTECTION COVER		01
50	0501010984	FLAT WASHER		06
51	0503010256	3/8" X 3/4" BOLT		06
52	0502012453	SUPPORT FLANGE		01
53	0561015762	FLAT WASHER		01
54	0503010817	1.1/4" SELF LOCKING NUT		01
55	0503010901	3/4UNC 3.1/2 BOLT		02
56	0501047947	DRIVE SHAFT	4	01



Item	Code	Description	See page	QT
01	0502012294	DROP HUB		01
02	0503013201	ARCA 6016 BRG SEAL		01
03	0503012418	32211 ROLLER BEARING		02
04	0541014445	LOCK RING		01
05	0503012311	501065 RENO RING		01
06	0503013211	6016 BRG SEAL		01
07	0541014095	ROTARY CUTTERS SMALLER AXLE		01
08	0501019757	EXTENSION GREASE FITTING		01
09	0503010002	1800 GREASE FITTING		01



Item	Code	Description	See page	QT
01	0502011152	SMALLER COVER		01
02	0503030084	1/2" X 1/2" X 2.0" STUD		06
03	0503011440	SPRING WASHER		06
04	0503010028	1/2" NUT		06
05	0503011171	00912-BRG SEAL		01
06	0503010006	32210 ROLLER BEARING		03
07	0503030783	7.1" X 5.3" X 0.008" JOINT		05
08	0503050063	UPPER AXLE		01
09	0501010649	RATCHET CLICK		03
10	0503030051	0.2" X 1" X 0.1" COMPRESSION SPRING		06
11	0503060210	CROWN PINION SET		01
11A	0503050074	25Z CONICAL GEAR		01
11B	0503061048	PINION		01
12	0503010217	501040 CLAMPING RING (FOR AXLE)		01
13	0503010037	30207 ROLLER BEARING		01
14	0503030785	7.9" X 5.9" X 0.008" JOINT		03
15	0503010286	2-355 N 3006-9B O'RING		01
16	0503010396	501060 CLAMPING RING (FOR AXLE)		01
17	0503011190	SEAL RING		02
18	0503017877	PIN GUIDE		02
19	0503010562	1/2" X 1" BOLT		08
20	0503031604	1/2" BSP PLUG		01
21	0521018064	FLAT WASHER		01
22	0503011047	5089 SEAL		01
23	0511010142	LOCK RING		01
24	0502010984	LEFT MULTIPLIER BOX		01
25	0502011393	LOWER HUB		01



Item	Code	Description	See page
01	0501050271	UNIVERSAL JOINT WITH SLEEVE	01
02	0501050265	UNIVERSAL JOINT	01
03	0501050333	1-40 TERMINAL WITH HITCH	01
04	0502010565	2-40 TERMINAL W/ SH 1.5"/1.5"	01
05	0503012069	ADAPTER FOR BUSHING PROTECT	01
06	0501017429	31" X 1.5" SQUARE SLEEVE	01
07	0503010836	CARDAN CROSSPIECE	01
08	0503011069	0.4" X 2.8" SPRING PIN	01
09	0503010510	0.2" X 2.6" SPRING PIN	01
10	0501050866	UNIVERSAL JOINT WITH SHAFT	01
11	0501050449	UNIVERSAL JOINT	01
12	0501052526	T8-40 TERMINAL WITH SCREW	01
13	0502010566	3-40 TERMINAL WITH SH 1.2"/1.2"	01
14	0503012070	ADAPTER FOR AXLE PROTECTION	01
15	0501017425	1.2" X 31.5" SQUARE SHAFT	01
16	0503010361	SPRING PIN	01
17	0503010756	0.2" X 2.4" SPRING PIN	01
18	0501051696	UNIVERSAL JOINT WITH SLEEVE PROTECTION	01
19	0501051697	UNIVERSAL JOINT WITH AXLE PROTECTION	01
20	0503012071	PROTECTION ASSY	01
21	0503012072	PROTECTION FOR UNIV JOINT AND SLEEV	01
22	0503012073	PLASTIC PROTECTION FOR AXLE JOINT	01
23	0503012023	CHAIN FOR PROTECTION	02
24	0502010563	1-40 STRIATED 1.3/8" TERMINAL	01
25	0521010638	0.5" X 3.3" QUIC HITCH COUPL SHAFT	01
26	0503030518	0.5"X1.0"X 0.1" COMPRESSION SPRING	01
27	0503010838	0.1" X 0.8" SPRING PIN	01
28	0502010876	8-40 STRIATED 1.3/8 TERMINAL	01
29	0501047756	1/2" X 3" SET PARTS	01



www.marchesan.com.br



Technical Publications | Elaboration and Revision
LUIZ CANDIDO