

DISK PLOWIMOLDBOARD PLOWITERRACING PLOW

ARPR - 03D

Code: 0501091362

Series: S-0792

Revision: 00

Date Revision: JUNHO/2021

PARTS CATALOGUE



MARCHESAN



PRODUCTS

Code	Description
0101030001	AR 3 X 26" X 4,75 DR PR S-0792
0101030009	AR 3 X 26" X 4,75 PR S-0792
0101030016	AR 3 X 28" PR CAT I S-0792
0101030002	AR 3 X 28" X 6,00 DR PR S-0792
0101030010	AR 3 X 28" X 6,00 PR S-0792
0101030023	AR 3 X 30 X 6,00 PR S-0792
0101030017	AR PR S/DISCOS S-0792

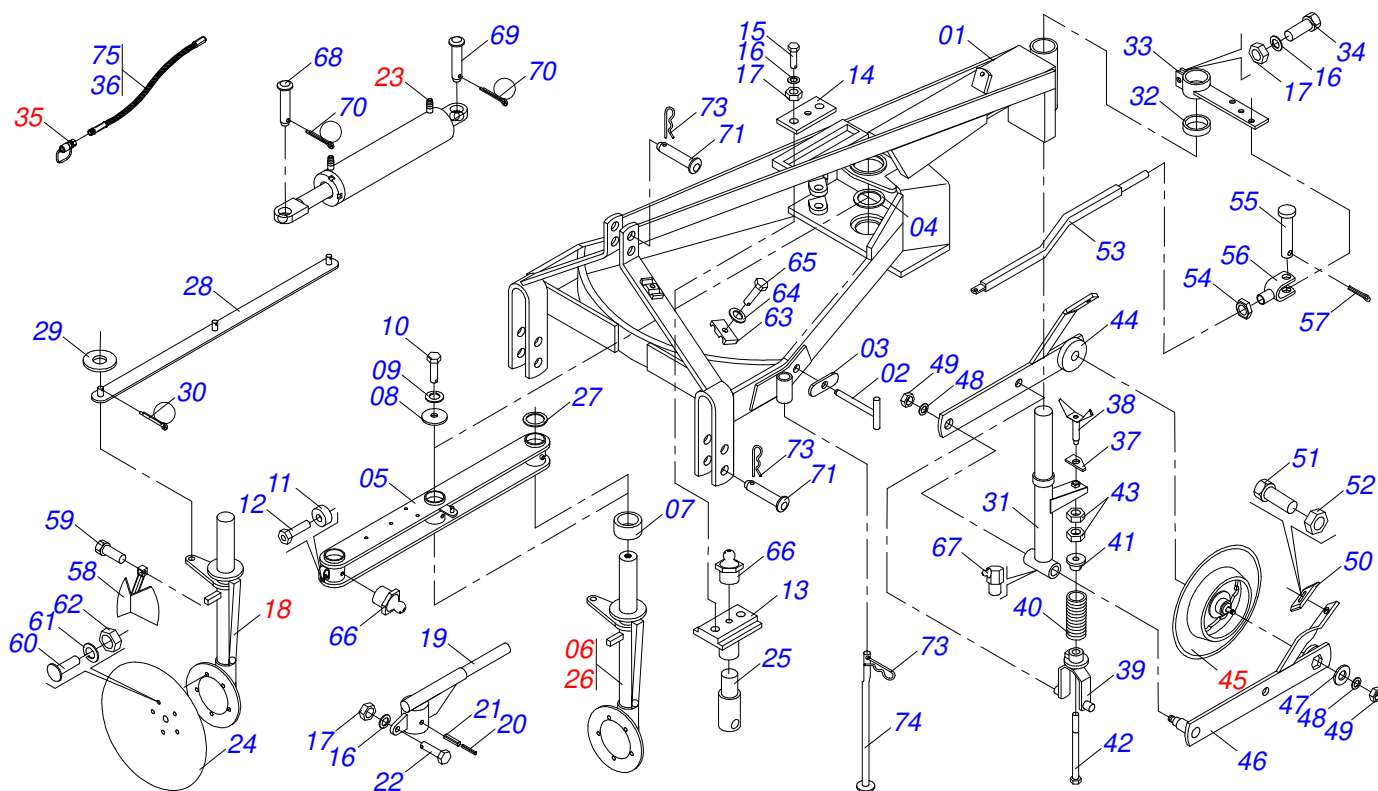
ATTENTION: IMPORTANT

Marchesan S.A. reserves the right to improve and / or modify the technical features of its products, without obligation to do the same with those products already sold and without prior knowledge of the dealer or the consumer.



INDEX

0909094681	ASSY FRAME	1
0501043789	FURROW WHEEL ASSY	2
0501046490	CENTRAL PLOUGH SUPPORT	3
0501046491	FRONT PLOUGH SUPPORT	4
0501046492	REAR PLOUGH SUPPORT ASSY	5
0501043464	1.5" X 2.5" X 13" X 5.7" HYDRAULIC CYLINDER	6

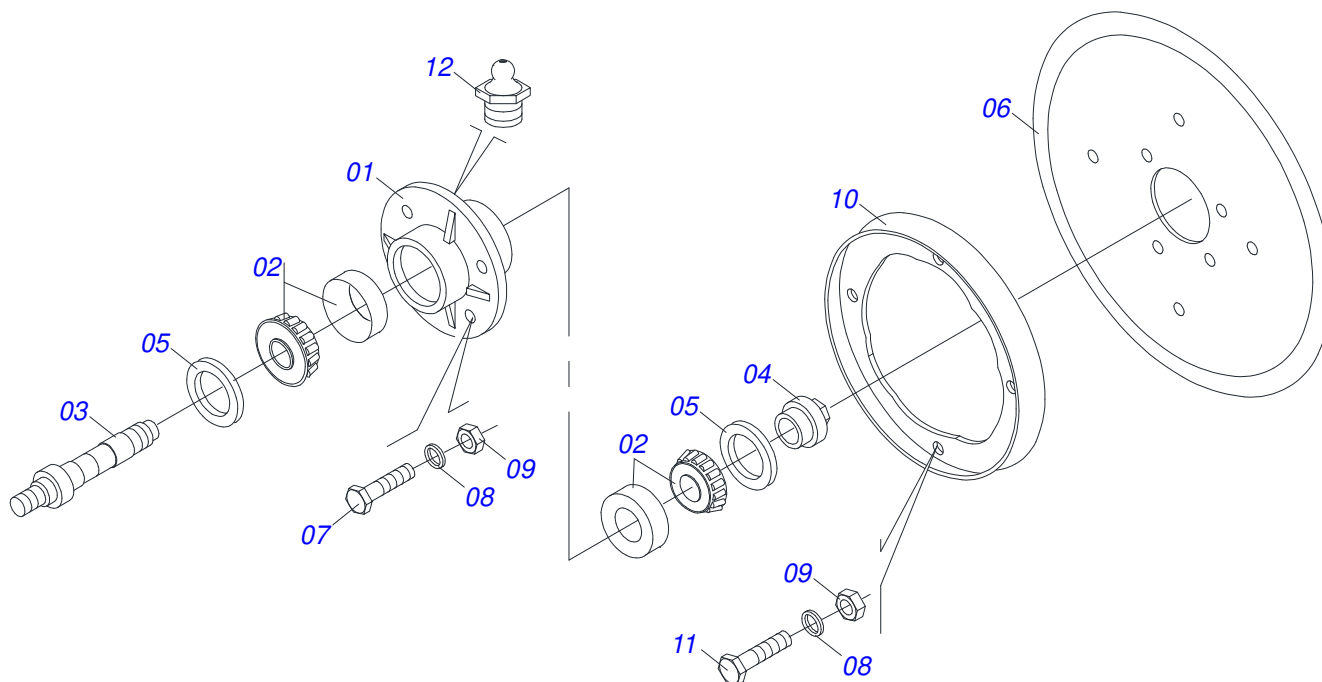


Item	Code	Description	See page	QT
01	0501063342	FRAME		01
02	0501061109	BOLT		02
03	0501016857	LOCK LOCKNUT		02
04	0501016206	FLAT WASHER		01
05	0501063343	REVERSIBLE FRAME TUBE		01
06	0501046490	CENTRAL PLOUGH SUPPORT	3	01
07	0502040720	2.9" X 3.6" X 2" SLEEVE		01
08	0501016854	FLAT WASHER		01
09	0503010023	3/4" SPRING WASHER		01
10	0501011544	3/4" X 1-1/2" BOLT		01
11	0501010721	PULLEY		01
12	0501016208	AXLE PULLEY		01
13	0501061106	REGULATOR SPEED		02
14	0501010717	FIXER REGULATOR SPEED		01
15	0501010100	SCREW 5/8 UNC X 2 CS G.5 ZN		02
16	0503011445	SPRING WASHER		02
17	0503010013	5/8" NUT		02
18	0501046491	FRONT PLOUGH SUPPORT	4	01
19	0501065762	AXLE TRANSMISSION SPEED		01
20	0503010928	0.4" X 4" SPRING PIN		01
21	0503010927	0.6" X 3.9" SPRING PIN		01
22	0503010233	5/8" X 2-1/2" BOLT		01
23	0501043464	1.5" X 2.5" X 13" X 5.7" HYDRAULIC CYLINDER	6	01
24	0601036001	24"X 0.2" PLAIN DISC BLADE		03
25	0501010718	GUIDE AXLE TRANSMITTER		01
26	0501046492	REAR PLOUGH SUPPORT ASSY	5	01
27	0501010723	FLAT WASHER		01
28	0501063348	HOLDER BAR		01
29	0501010322	FLAT WASHER		01
30	0503010018	5/32 X 1-1/2 COTTERPIN		02
31	0501065497	PLOUGH SUPPORT FURROW WHEEL		01

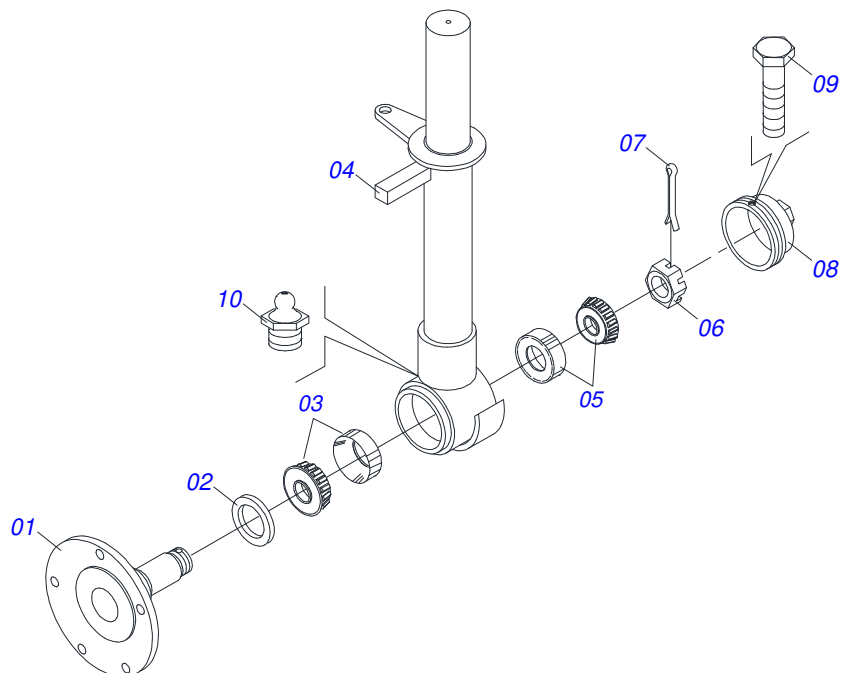


ARPR - 03D
ASSY FRAME

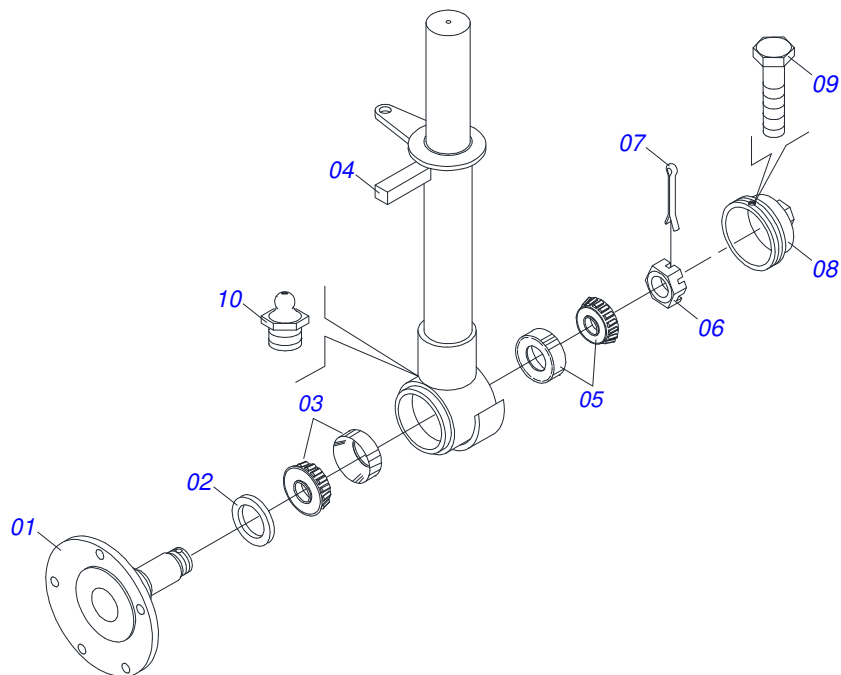
Item	Code	Description	See page	QT
32	0511010927	2.9" X 2.4" X 0.6" BUSHING		01
33	0501065399	REVERSIBLE ARM		01
34	0501010197	5/8" X 3-1/2" BOLT		01
35	0501053834	MALE QUICK COUPLER WITH CAP - 1/2 NPT		01
36	0501080380	3/8" X 75" TR-TM HOSE ASSY		01
37	0501010190	LOCK LOCKNUT		01
38	0501060107	REGULATOR BOLT		01
39	0501063497	FORK SPRING		01
40	0503030441	12.7" X 5.7" X 0.5"SPRING		01
41	1902040302	APOYO RESORTE		01
42	0501060108	5/8" X 5/8" X 16.9" STUD		01
43	0503010013	5/8" NUT		01
44	0501065202	LEFT ARM FURROW WHEEL		01
45	0501043789	FURROW WHEEL ASSY	2	01
46	0501065203	RIGHT ARM FURROW WHEEL		01
47	0501011445	FLAT WASHER		02
48	0503011438	SPRING WASHER		01
49	0503010340	1" NUT		01
50	0511010353	DISC SCRAPER		01
51	0501011600	1/2" X 1-1/4" BOLT		01
52	0503010020	1/2"NUT		01
53	0501016214	CABLE REVERSIBLE ARM		01
54	0501010059	1.5/8 NUT		01
55	0501061105	CABLE REGULATOR		01
56	0521010561	0.7" X 2.0" COUPLING SHAFT		01
57	0503010018	5/32 X 1-1/2 COTTERPIN		02
58	0501063495	DISC SCRAPER		03
59	0503010834	1/2 X 1 BOLT		01
60	0503012956	1/2" X 1-1/2" BOLT		01
61	0503011440	SPRING WASHER		01
62	0503010020	1/2"NUT		01
63	0502010477	HOSE CLAMP		01
64	0503011443	3/8" SPRING WASHER		01
65	0503010751	C3/8" X 1.1/4" HEX BOLT G.5		01
66	0503010002	1800 GREASE FITTING		12
67	0503010004	1890 GREASE FITTING		01
68	0521010588	0.9" X 7.0" COUPLING SHAFT		01
69	0521010572	0.9" X 2.9" COUPLING SHAFT		02
70	0503010571	1/4" X 1.1/2 COTTERPIN		02
71	0521010578	COUPLING SHAFT		01
72	0521010595	1.1" X 4.3" COUPLING SHAFT		01
73	0503031035	HAIR PIN		04
74	0501060121	PLOUGH SUPPORT 860 AR		01
75	0501080569	3/8" X 67" TR-TM HOSE ASSY		01



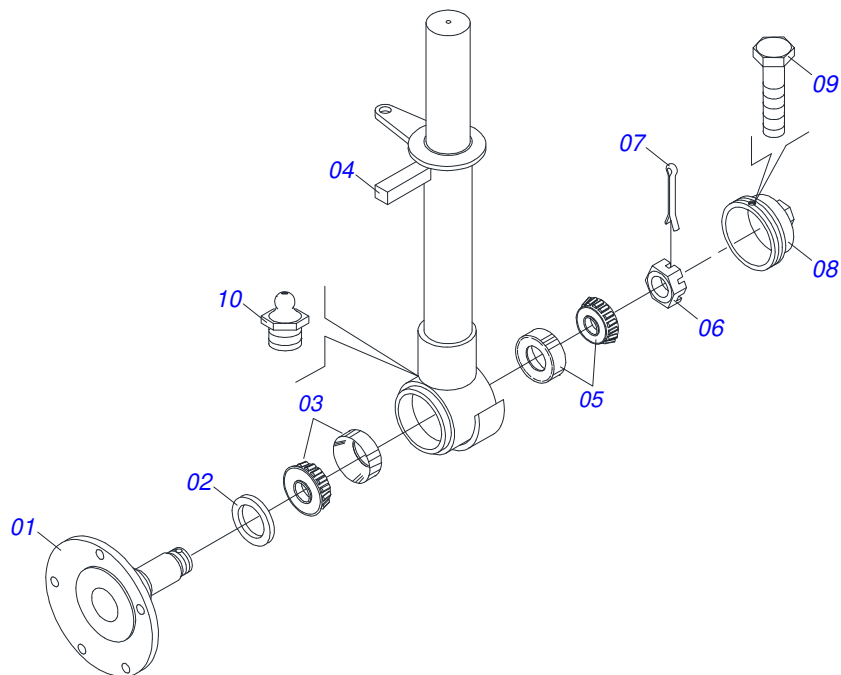
Item	Code	Description	See page	QT
01	0502020601	FURROW WHEEL HUB		01
02	0503010745	BEARING 25877/25821		02
03	0511010396	HUB AXLE		01
04	0502040587	ADJUSTMENT NUT		01
05	0503010279	SEAL		02
06	0603027058	20"X 0.2" FLAT PLAIN DISC		01
07	0501010063	1/2" X 1-1/2" BOLT		08
08	0503010019	1/2" SPRING WASHER		08
09	0503010060	1/2" NUT		04
10	0502020028	FURROW WHEEL FLANGE		02
11	0503010238	BOLT 1/2 UNC X 1.3/4 CS G.2 ZN		04
12	0503010002	1800 GREASE FITTING		01



Item	Code	Description	See page	QT
001	0502040091	DISC DISH FOR AF		01
002	0503011866	SEAL 00573-B WITH HOLE		01
003	0503010005	32212 ROLLER BEARING		01
004	0501067344	CENTRAL PLOUGH SUPPORT		01
005	0503010006	32210 ROLLER BEARING		01
006	0501010888	1.3/4" 2.5/16" CASTLE NUT		01
007	0503010010	1/4" X 2.1/2" COTTERPIN		01
008	0502020597	COVER		01
009	0503010358	5/16" X 5/8" BOLT		01
010	0503010002	1800 GREASE FITTING		01

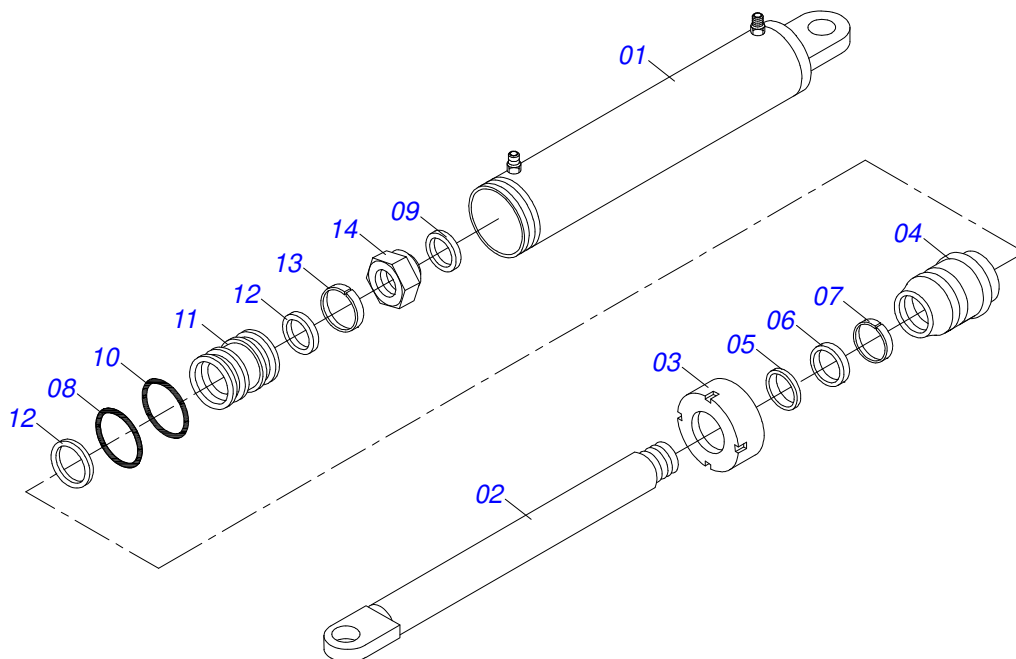


Item	Code	Description	See page	QT
001	0502040091	DISC DISH FOR AF		01
002	0503011866	SEAL 00573-B WITH HOLE		01
003	0503010005	32212 ROLLER BEARING		01
004	0501067345	FRONT PLOUGH SUPPORT		01
005	0503010006	32210 ROLLER BEARING		01
006	0501010888	1.3/4" 2.5/16" CASTLE NUT		01
007	0503010010	1/4" X 2.1/2" COTTERPIN		01
008	0502020597	COVER		01
009	0503010358	5/16" X 5/8" BOLT		01
010	0503010002	1800 GREASE FITTING		01



Item	Code	Description	See page	QT
001	0502040091	DISC DISH FOR AF		01
002	0503011866	SEAL 00573-B WITH HOLE		01
003	0503010005	32212 ROLLER BEARING		01
004	0501067346	REAR PLOUGH SUPPORT		01
005	0503010006	32210 ROLLER BEARING		01
006	0501010888	1.3/4" 2.5/16" CASTLE NUT		01
007	0503010010	1/4" X 2.1/2" COTTERPIN		01
008	0502020597	COVER		01
009	0503010358	5/16" X 5/8" BOLT		01
010	0503010002	1800 GREASE FITTING		01

1.5" X 2.5" X 13" X 5.7" HYDRAULIC CYLINDER



Item	Code	Description	See page	QT
01	0501065175	2.5" X 11.5" CYLINDER CASE		01
02	0501069826	HYDRAULIC CYLINDER TURNBUCKLE		01
03	0502010471	MOBILE COVER		01
04	0502010780	RING SUPPORT		01
05	0503010163	D-1500 SCRAPER RING		01
06	0503010989	1870-1500-375-B GASKET		01
07	0503010970	W1-1650-500 PK O'RING G.E		01
08	0503011058	8-330 BACK-UP RING		01
09	0503010161	2-330 N 3006 9B O'RING		01
10	0503010285	2-222 N 3006-9B O'RING		01
11	0502010783	1.5" X 2.5" PISTON		01
12	0503010160	2500 2000 GASKET		02
13	0503010973	W2-2500-500 PK O'RING G.E		01
14	0503010063	1" SELF-ALIGNING NUT		01
15	0501032666	HYDRAULIC CYLINDER REPAIR KIT		01



MARCHESAN

Technical Publications | Elaboration and Revision

ALESSANDRA PATRICIA KAWAHARA CARRILI

www.marchesan.com.br

