

# PARTS CATALOG

## ROTARY CUTTERS

RCA2E 3400 S-0613

Code: 0501091354



Series: S-0613

Review: JULHO/13

ORIGINAL PARTS  
TATU

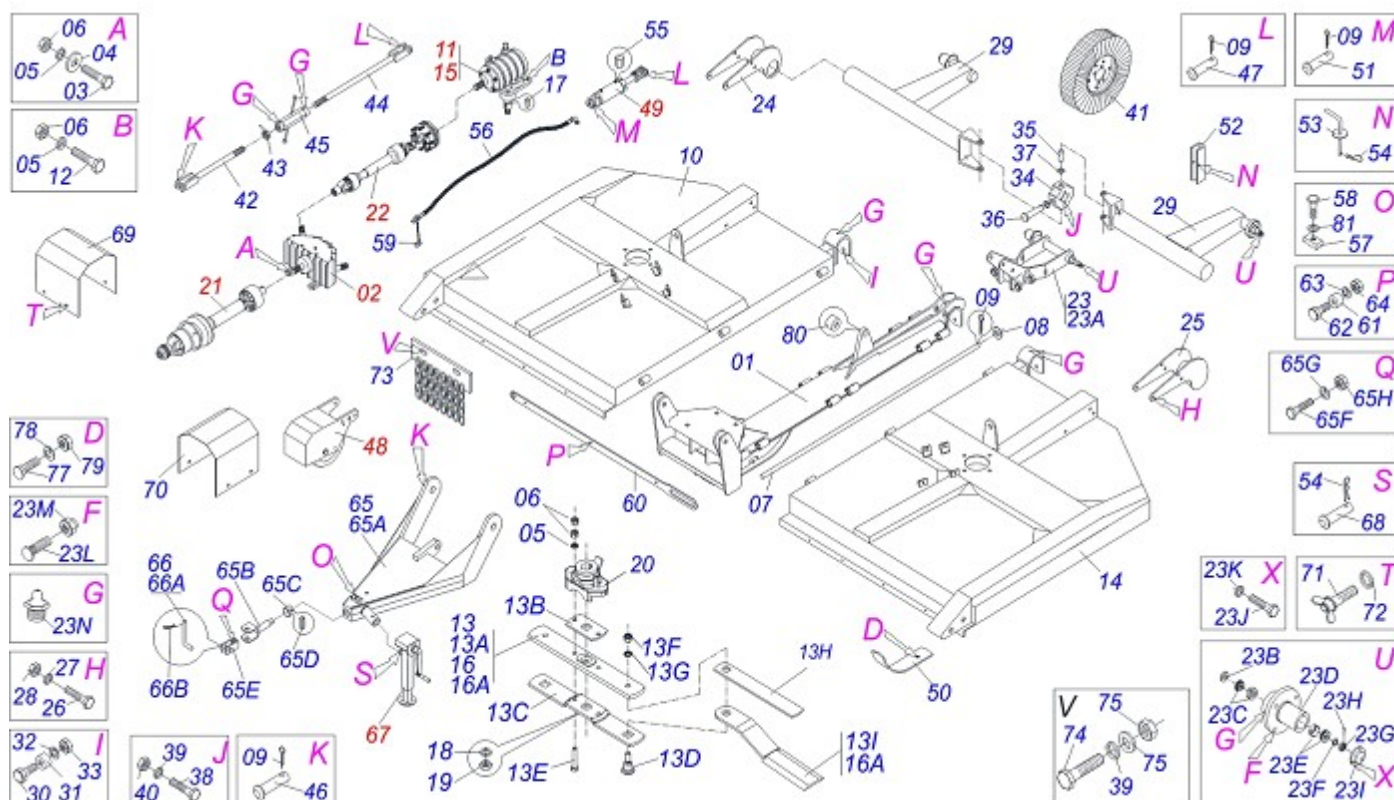


# INDEX

0909094062	RCA2E 3400 S-1200	.....	1
0511040988	PROTECTION WHEELS FRONT ASSY	.....	2
0501044074	TRIPE DISTRIBUTOR RC 4500	.....	3
0511042527	SPEED MULTIPLIER MSD 1.3/8	.....	4
0511042525	SPEED MULTIPLIER MSD 1.3/8	.....	5
0511040198	DRIVE SHAFT	.....	6
0909090713	CARDAN 40 X 400 T1/T9 C/P 0501048241 ( STU )	.....	7
0501049129	DRIVE SHAFT	.....	8
0909090712	CARDAN 60 X 900 T1/T6 C/P 0501047948 ( STU )	.....	9
0501048464	1.7" X 3.4" X 21" X 7" HYDRAULIC CYLINDER	.....	10

**ATTENTION: IMPORTANT**

MARCHESAN RESERVES THE RIGHT AT ANY TIME TO MAKE IMPROVEMENTS IN THE DESIGN, MATERIAL OR SPECIFICATIONS OF MACHINERY, EQUIPMENT OR PARTS WITHOUT THEREBY BECOMING LIABLE TO MAKE SIMILAR CHANGES IN MACHINERY, EQUIPMENT OR PARTS PREVIOUSLY SOLD.



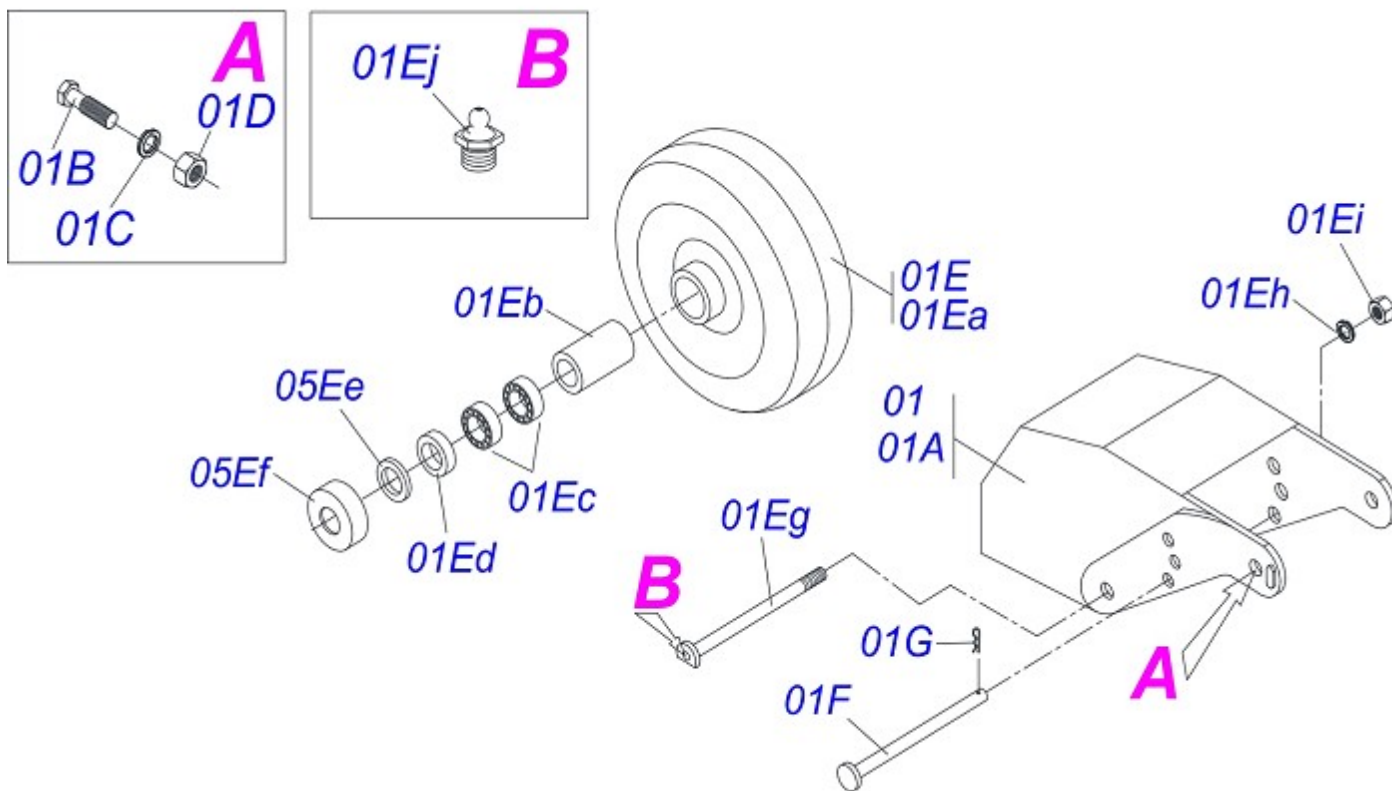
Item	Code	Description	QT
01	0521065964		01
02	0501044074	TRIPE DISTRIBUTOR RC 4500	01
03	0501010125	3/4" X 2-1/2" BOLT	04
04	0501010322	FLAT WASHER	04
05	0503011442	3/4" SPRING WASHER	14
06	0503010014	3/4" NUT	16
07	0531012224	FRAME UNION AXLE	02
08	0501011445		04
09	0503010571	1/4" X 1.1/2" COTTERPIN	04
10	0511062791	RIGHT FRAME	01
11	0511042527	SPEED MULTIPLIER MSD 1.3/8	04
12	0503010797	3/4" X 4" BOLT	04
13	0501056339	SUPPORT ROTARY CUTTER BLADES	01
13A	0561017307	SUPPORT UPPER BASE	01
13B	0561017309	ROCADORES SUPPORT CHOCK	01
13C	0561017369	ROTARY LOWER SUPPORT LOWER	01
13D	0531014512	FASTERNER ROCADORES	02
13E	0503010797	3/4" X 4" BOLT	01
13F	0503010812	7/8" UNF SELF ADJUSTING NUT	02
13G	0503011447	7/8" SPRING WASHER	02
13H	0531015055	620 FOLLOWER	02
13I	0622400055	RH 24"X4"X0,5" ROTARY CUTTER BLADES	02
14	0511062792	LEFT FRAME	01
15	0511042525	SPEED MULTIPLIER MSD 1.3/8	01
16	0501056340	CENTER ROTARY SUPPORT 540	01
16A	0622400056	24"X4"X0,5" LEFT ROTARY CUT BLADES	02
17	0501010536	0.4" X 1.7" KEYWAY SQUARE	02
18	0501017779	FLAT WASHER	02
19	0503010817	1.1/4" UNF SELF ADJUSTING NUT	02
20	0502012453	SUPPORT FLANGE ROTARY COTTERS	01
21	0511040198	DRIVE SHAFT	02
22	0501049129	DRIVE SHAFT	01
23	0501053419	HUB CENTER WHELLS SUPPORT	01



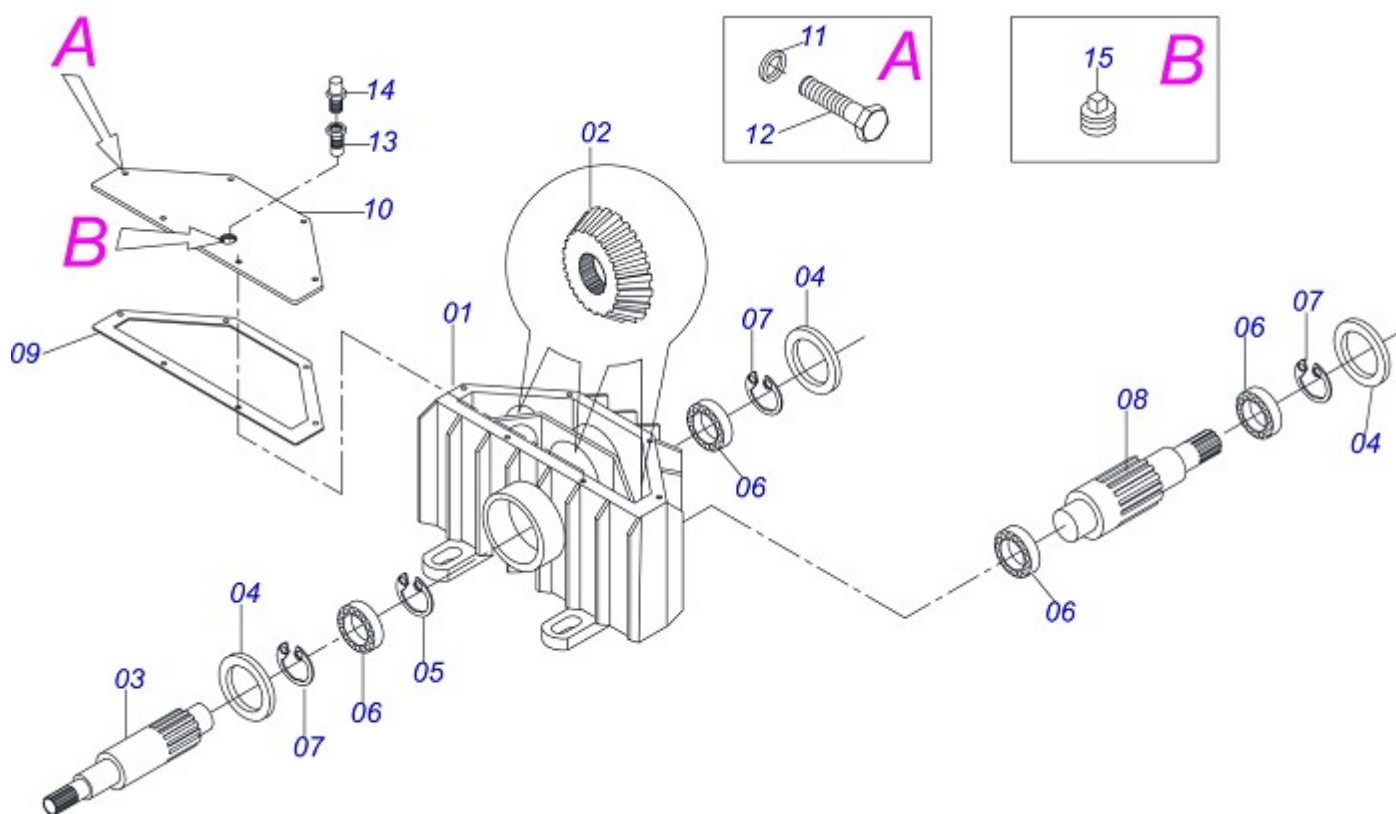
Item	Code	Description	QT
23A	0511062797	CENTER WHELLS SUPPORT	01
23B	0503010278	SEAL # 00527-B	02
23C	0503010016	BEARING LM 48548/48510	02
23D	0502020605	CARRYING WHEEL HUB	02
23E	0503010022	BEARING LM 67048/67010	02
23F	0501010332	SPACING BUSHING	02
23G	0503030010	7/8" CASTLE NUT	02
23H	0503010018	5/32" X 1-1/2" COTTERPIN	02
23I	0521010388	PROTECTIVE COVER	02
23J	0503011441		06
23K	0503013758	1/4" X 1-1/2" BOLT	06
23L	0501010127		08
23M	0503010035		08
23N	0503010002	GREASE FITTING	02
24	0511060360	WHEELS RIGHT FIXER	01
25	0511060361	WHEELS LEFT FIXER	02
26	0503010795	5/8" X 7" BOLT	06
27	0503010027		06
28	0503010013	5/8" NUT	06
29	0511062796	SIDE WHELLS SUPPORT	02
30	0503011198	3/4" X 6" BOLT	03
31	0511017147	0.8" X 1.2" X 4.1" BUSHING	03
32	0503010023	3/4" SPRING WASHER	05
33	0503010014	3/4" NUT	05
34	0502011268	ARTICULATOR BODY	02
35	0521010627	1.2" X 2.8" CROSSPIECE COUP SHAFT	04
36	0521018993	CROSSPIECE COUPLING SHAFT	02
37	0521010907	FLAT WASHER	08
38	0503011141	3/8" X 2-3/4" BOLT	04
39	0503010025		15
40	0503010026		14
41	0501043559	WHEEL SEGMENT	04
42	0511062794	SMALLER STABILIZER	01
43	0501110252	185 ADJUSTMENT NUT	01
44	0511062795	LARGER STABILIZER	01
45	0501064974	LOCKNUT WITH HANDLER	01
46	0521010572	0.9" X 2.9" COUPLING SHAFT	05
47	0521010585	0.9" X 5.9" COUPLING SHAFT	02
48	0511040988	PROTECTION WHEELS FRONT ASSY	01
49	0501048464	1.7" X 3.4" X 21" X 7" HYDRAULIC CYLINDER	01
50	0521013465	SKID GUIDE	01
51	0521010575	0.9" X 3.7" COUPLING SHAFT	01
52	0521014258	LOCK BOLT	01
53	0501068994		01
54	0503030168		01
55	0511017628	BREATHER 1/4 HYDRAULIC CYLINDER	01
56	0501080422	3/8" X 157" TC-TM HOSE ASSY	01
57	0502012702		01
58	0503012555	7/16" X 2" BOLT	01
58A	0503010180	7/16" SPRING WASHER	01
59	0501053834		01
60	0531012226	STABILIZER BAR	02
61	0521010456	13,2 X 25 X 25 SLEEVE	03
62	0503010905	1/2" X 2-1/4" BOLT	03
63	0503010001	RIVET POP 423 3,2 X 5,5	03
64	0503010060		03
65	0501053417	DRAWBAR ASSY	01
65A	0511062793	DRAWBAR	01
65B	0501063628	ROTARY HITCH	01
65C	0502010473	396 SPACER	01
65D	0503010815	0.5" X 2.16" ELASTIC PIN	01
65E	0501063629	U TRACTOR COUPLING	01



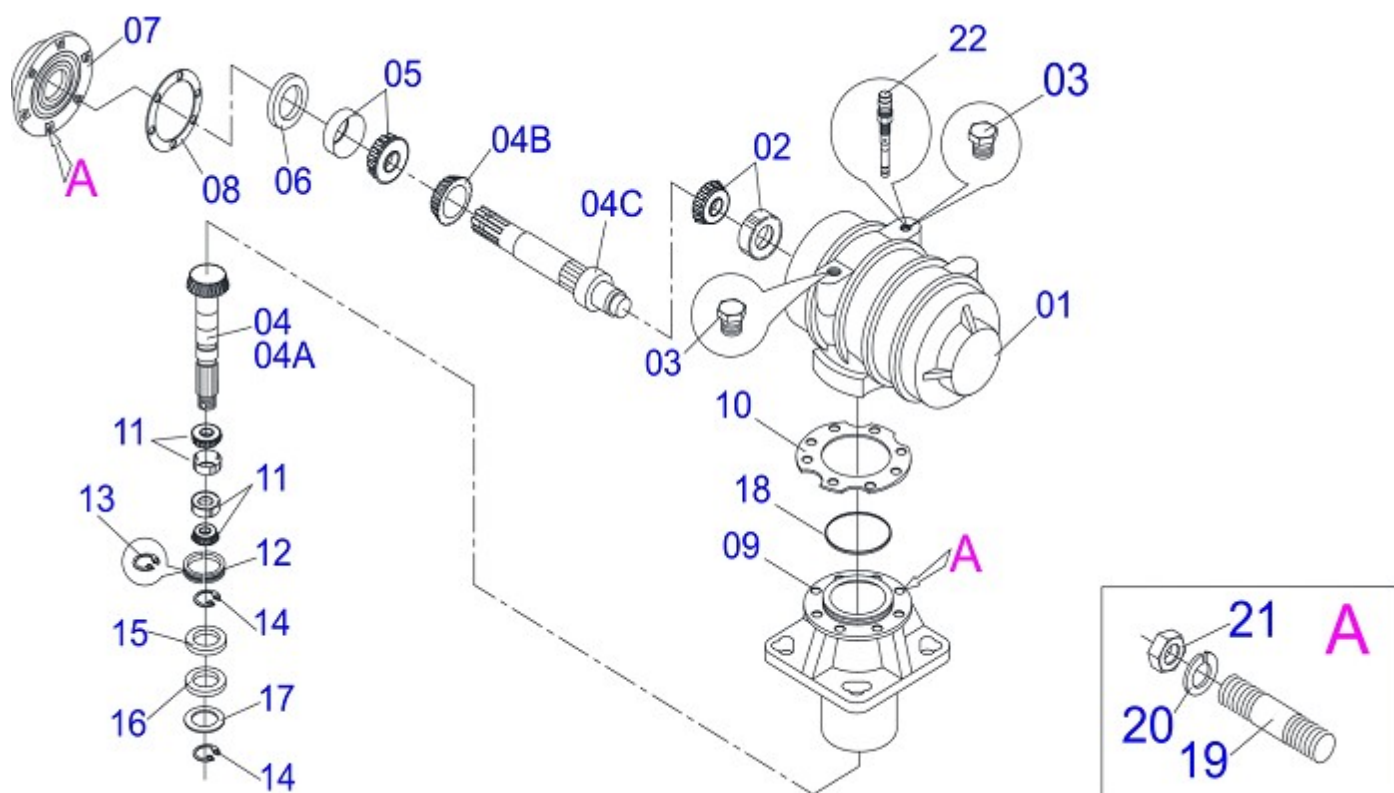
Item	Code	Description	QT
65F	0501010191	1" X 6" BOLT	01
65G	0503011438	1" SPRING WASHER	01
65H	0501010059	1" NUT HEX	01
66	0501040343	HITCH PIN ASSY	01
66A	0521010453	COUPLING SHAFT	01
66B	0503031035	HAIR PIN	01
67	0503062157	HEADER JACK	01
68	0521010549	0.5" X 2.3" JOINT AXLE	01
69	0531018032	RIGHT PROTECTION COVER	01
70	0531018033	LEFT PROTECTION COVER	01
71	0503012904	3/8" BUTTERFLY BOLT	08
72	0501010984		08
73	0511066921	CHAIN PROTECTION	06
74	0503010849		12
75	0501010984		12
76	0503010026		12
77	0503012956	1/2" X 1-1/2" BOLT	03
78	0511017302		03
79	0503010020	1/2" NUT	03
80	0511019921	1.3" X 0.1" X 1" SLEEVE	03
81	0503010180	7/16" SPRING WASHER	01



Item	Code	Description	
00	0511040988	PROTECTION WHEELS FRONT ASSY	01
01	0511061700	COVER FRONT WHEEL SUPPORT	01
02	0503012951	3/4" X 10-1/2" BOLT	01
03	0503010023	3/4" SPRING WASHER	02
04	0503010014	3/4" NUT	02
05	0501053885	ARM FRONT WHELL	01
05A	0511063509	14" X 8" WHELL	01
05B	0531014502	0.9" X 1.1" X 6.3" SLEEVE	01
05C	0503010269	6204 BALL BEARING	04
05D	0521010487	SPACER WASHER	02
05E	0503010268	00262-B SEAL	02
05F	0511014254	DOOR HOSE	02
05G	0551011854	REAR CARRYING WHEELS AXLE	01
05H	0503010002	GREASE FITTING	01
06	0531014507	0.6" X 10" COUPLING SHAFT	01
07	0503030168		01

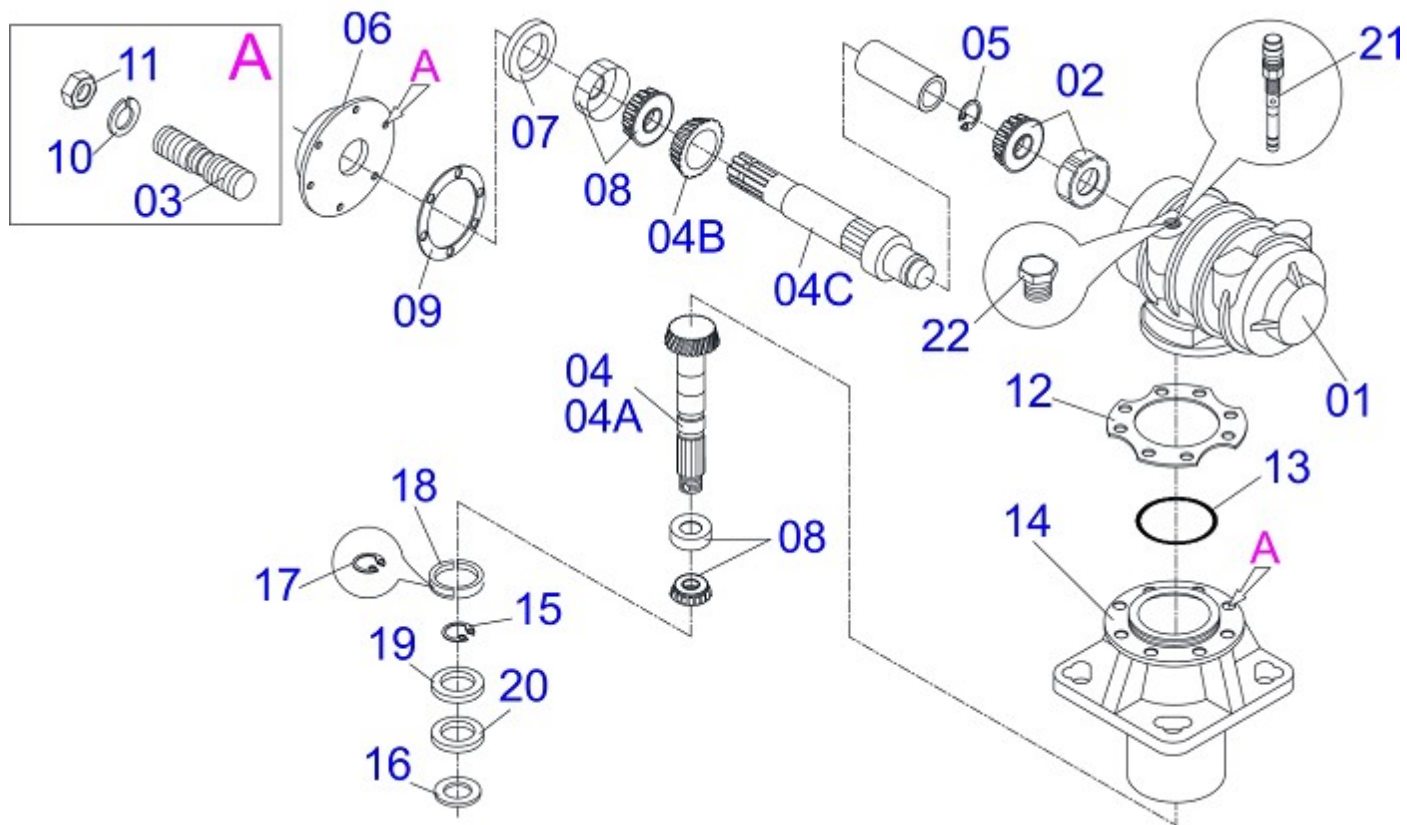


Item	Code	Description	
00	0501044074	TRIPE DISTRIBUTOR RC 4500	01
01	0502010861	DISTRIBUTOR BOX	01
02	0503030632	24Z CONICAL GEAR	03
03	0503030631	CENTRAL AXLE	01
04	0503010818	02675-BRG SEAL	04
05	0503010372	501050 CLAMPING RING (FOR AXLE)	01
06	0503011095	6208 BALL BEARING	06
07	0503011100	502080 CLAMPING RING (FOR AXLE)	04
08	0503030633	SIDE AXLE	02
09	0503030656	13.9" X 6.1" X 0.03" JOINT GASKET	01
10	0511011206	BOX COVER	01
11	0503010179		06
12	0503010240	5/16" X 3/4" BOLT	06
13	0511013020	1.49" BREATHING HOLE	01
14	0503010325	VCA-118 VALVE	01
15	0503010856	3/8" OIL PLUG	02



Item	Code	Description	
00	0511042527	SPEED MULTIPLIER MSD 1.3/8	
01	0502012204	SPEED MULTIPLIER BOX	01
02	0503012418	32211 ROLLER BEARING	01
03	0503031604	1/2" BSP PLUG	01
04	0503060623	CROWN PINION SET	01
04A	0503031918	18Z CONICAL GEAR	01
04B	0503031917	PINION CONICAL	01
04C	0503031924	UPPER AXLE	01
05	0503010750	30209 BALL BEARING	01
06	0503012103	5301 -BSEAL	01
07	0502012203	RH COVER MULTIPLIER	01
08	0503030783	7.1" X 5.3" X 0.008" JOINT GASKET	03
09	0502012206	LOWER HUB	01
10	0503030785	7.9" X 5.9" X 0.008" JOINT GASKET	03
11	0503012418	32211 ROLLER BEARING	02
12	0531019302	LOCK RING	01
13	0503012311	501065 RENO RING	01
14	0503011420	502100 CLAMPING RING (FOR AXLE)	02
15	0503013211	6016 BRG SEAL	01
16	0503013201	ARCA 6016 BRG SEAL	01
17	0531018823	FLAT WASHER	01
18	0503010286	2-355 N 3006-9B O'RING	01
19	0503030084	1/2" X 1/2" X 2.0" PRISONER	14
20	0503011440	1/2" SPRING WASHER	06
21	0503010028	1/2" NUT	06
22	0501110186	OIL SMALLER LEVEL INDICATOR	01

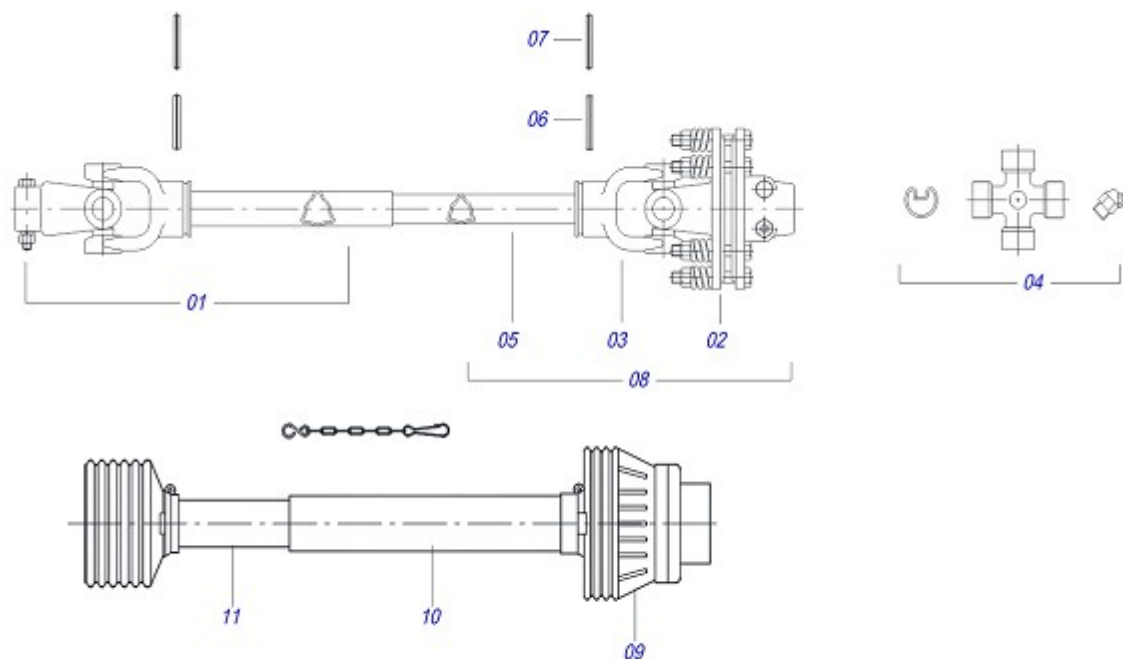




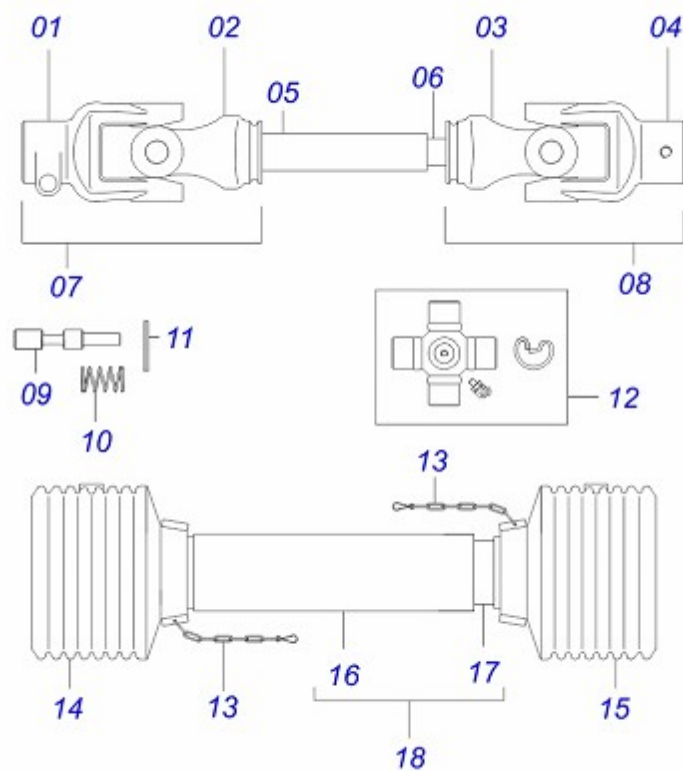
Item	Code	Description	
00	0511042525	SPEED MULTIPLIER MSD 1.3/8	00
01	0502012205	BOX MULTIPLIER	01
02	0503010750	30209 BALL BEARING	01
03	0503030084	1/2" X 1/2" X 2.0" PRISONER	14
04	0503061698	CROWN PINION SET 12Z 12Z AXLE LEFT	01
04A	0503031918	18Z CONICAL GEAR	01
04B	0503031917	PINION CONICAL	01
04C	0503032043	UPPER AXLE	01
05	0503014772	501056 CLAMPING RING (FOR AXLE)	01
06	0502012207	COVER MULTIPLIER	01
07	0503012103	5301 -BSEAL	01
08	0503012418	32211 ROLLER BEARING	03
09	0503030783	7.1" X 5.3" X 0.008" JOINT GASKET	03
10	0503011440	1/2" SPRING WASHER	14
11	0503010028	1/2" NUT	14
12	0503030785	7.9" X 5.9" X 0.008" JOINT GASKET	03
13	0503010286	2-355 N 3006-9B O-RING	01
14	0502012206	LOWER HUB	01
15	0531019302	LOCK RING	01
16	0531018823	FLAT WASHER	01
17	0503012311	501065 RENO RING	01
18	0503011420	502100 CLAMPING RING (FOR AXLE)	02
19	0503013211	6016 BRG SEAL	01
20	0503013201	ARCA 6016 BRG SEAL	01
21	0501110186	OIL SMALLER LEVEL INDICATOR	01
22	0503031604	1/2" BSP PLUG	01

DRIVE SHAFT

0511040198

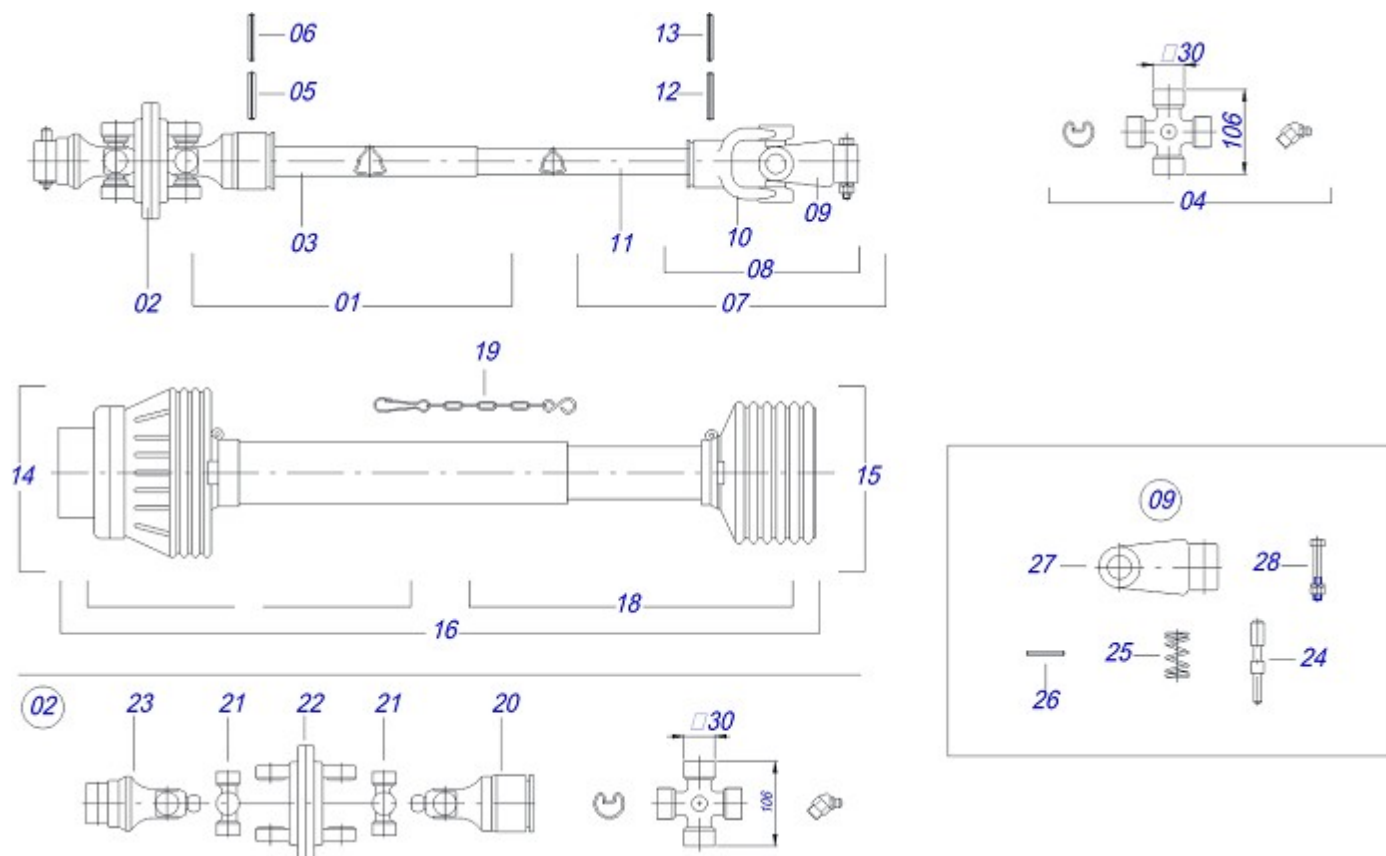


Item	Code	Description	
00	0511040198	DRIVE SHAFT	01
01	0503013279	FEMALE CARDAN	01
02	0501047953	90 KGM FRICTION	01
03	0503013187	TERMINAL	01
04	0503013260	CROSSPIECE	01
05	0503013261	MALE TRINGULAR TUBE	01
06	0503010842	0.39" X 2.95" ELASTIC PIN	01
07	0503013259	ELASTIC PIN 06 X 75	01
08	0503013278	MALE CARDAN	01
09	0503013262	FRICTION DISC PROTECTION ASSY	01
10	0503013263	FEMALE PROTECTION TUBE	01
11	0503013264	MALE PROTECTION TUBE	01

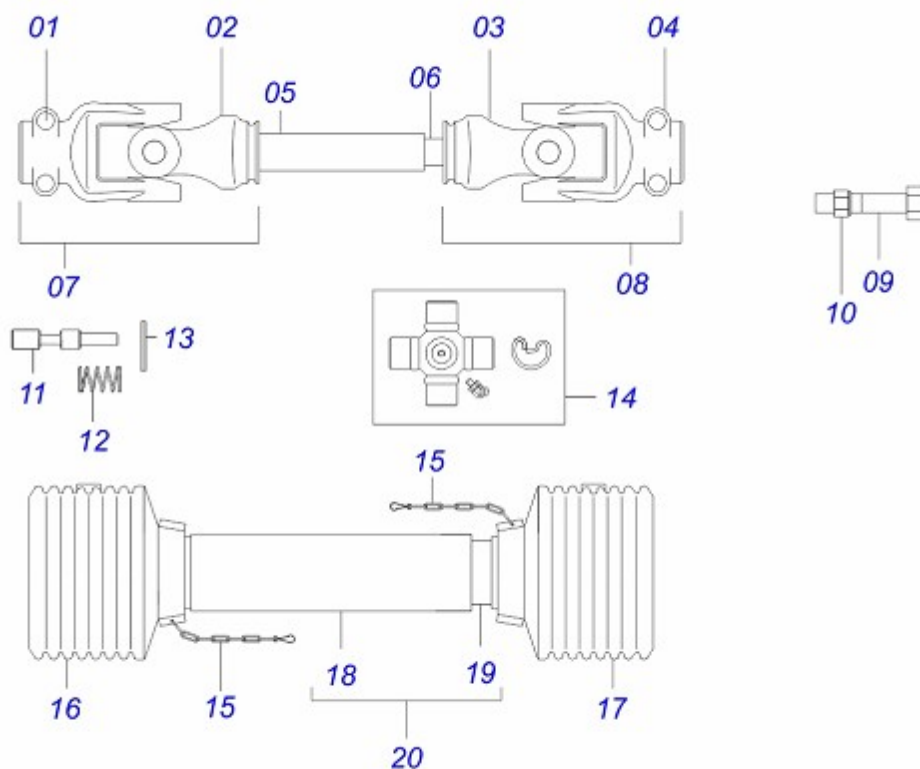


Item	Code	Description	QT
01	0503017647		01
02	0503017648		01
03	0503017649		01
04	0503017658		01
05	0503017642		01
06	0503017643		01
07	0503062344		01
08	0503062345		01
09	0503017626		01
10	0503017627		01
11	0503017628		01
12	0503017644		02
13	0503017631		02
14	0503017632		01
15	0503017633		01
16	0503017677		01
17	0503017678		01
18	0503062352		01

DRIVE SHAFT



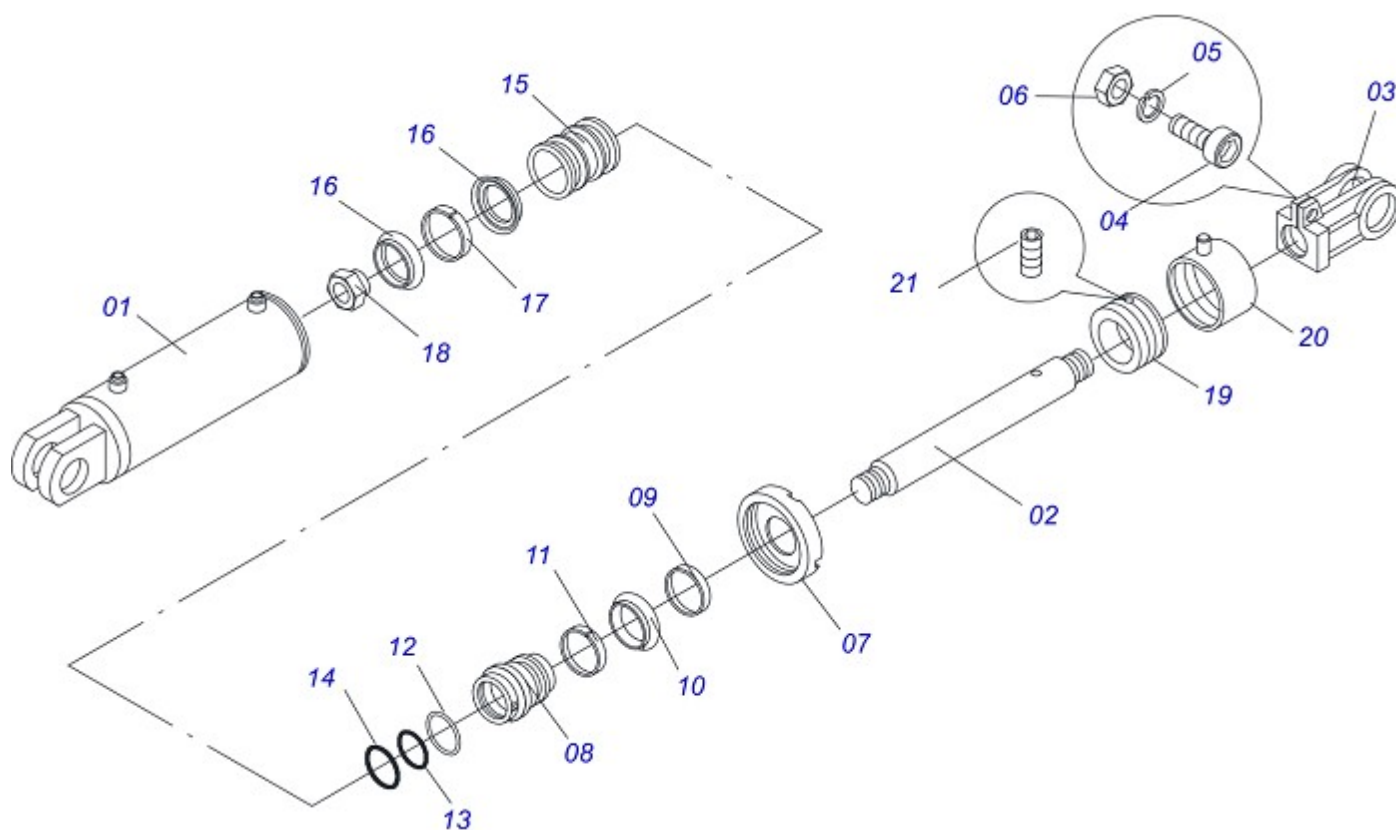
Item	Code	Description	
00	0501049129	DRIVE SHAFT	01
01	0501052544	HOMO JOINT WITH FEMALE BUSHING	01
02	0501052518	HOMOCINETIC JOINT ASSY	01
03	0503012618	2.1" X 2.0" X 31" TRIAN FEMALE TUB	01
04	0503010837	CARDAN CROSSPIECE	01
05	0503010843	0.4" X 3.3" ELASTIC PIN	01
06	0503011878	0.2" X 3.3" ELASTIC PIN	01
07	0501052545	UNIVERSAL JOINT WITH CROSS/SHAFT	01
08	0501052546	UNIVERSAL JOINT	01
09	0501052516	T6-60 TERMINAL WITH SCREW	01
10	0503012600	T3-60/CI52 TERMINAL	01
11	0503012619	1.8" X 1.7" X 31" TRIAN MALE TUB	01
12	0503011069	0.4" X 2.8" ELASTIC PIN	01
13	0503011805	0.2" X 2.8" ELASTIC SPRING PIN	01
14	0501052548	HOMO JOINT WITH PROT FEMALE BUSHING	01
15	0501052549	UNIVERSAL JOINT WITH SHAFT/PROT	01
16	0503012620	PROTECTION ASSY	01
17	0503012621	PROTECTION FOR HOMO JOINT AND SLEEV	01
18	0503012076	PROTECTION FOR UNIV JOINT AND AXLE	01
19	0503012023	CHAIN FOR UNIV JOINT PROTECTION	01
20	0503012604	HOMO TERMINAL W/ FEMALE BUSHING	01
21	0503012605	CROSSPIECE	02
22	0503012606	CENTER BODY	01
23	0503012607	TRACTOR HOMOCINETIC TERMINAL	01
24	0521010638	0.5" X 3.3" QUIC HITCH COUPL SHAFT	02
25	0503030518	0.5"X1.0"X 0.1" COMPRESSION SPRING	02
26	0503010838	0.1" X 0.8" ELASTIC PIN	02
27	0502010830	6-60 STRIATED 1.3/8" TERMINAL	01
28	0501047759	1/2" X 3-1/2" BOLT ASSY	02



Item	Code	Description	QT
01	0503017647		01
02	0503017672		01
03	0503017673		01
04	0503017674		01
05	0503017687		01
06	0503017685		01
07	0503062347		01
08	0503062348		01
09	0503017645		01
10	0503017646		01
11	0503017626		01
12	0503017627		01
13	0503017628		01
14	0503017667		02
15	0503017631		02
16	0503017680		01
17	0503017681		01
18	0503017682		01
19	0503017683		01
20	0503062354		01

1.7" X 3.4" X 21" X 7" HYDRAULIC CYLINDER

0501048464



Item	Code	Description	
00	0501048464	1.7" X 3.4" X 21" X 7" HYDRAULIC CYLINDER	01
01	0501064255	2.4" X 8" CYLINDER CASE	01
02	0521014292	1.7" X 15" TURNBUCLE WITH HOLES	01
03	0502040493	CLEVIS 26,50 R41	01
04	0503011094	3/8" X 2" BOLT	01
05	0503010025		01
06	0503010026		01
07	0502010993	DETACHABLE COVER	01
08	0502010781	RING SUPPORT	01
09	0503010761	D-1750 SCRAPER RING	01
10	0503010990	GASKET	01
11	0503010949	W2-2000-500 PK O'RING G.E	01
12	0503011060	8-336 BACK-UP RING	01
13	0503010976	2-336 N 3006-9B O'RING	01
14	0503010042	2-214 N 3006-9B O'RING	01
15	0502010843	1.8" X 3.4" PISTON	01
16	0503010170	PACKING 3120 2750	02
17	0503010948	W4-3346-590 PK RING G.E	01
18	0503010063	1" SELF-ALIGNING NUT	01
19	0521014003	REG INNER BODY OF THE CARRY-WHEEL	01
20	0511060370	CARRY-W REG OUTER BODY ASSY	01
21	0503011148	3/8" X 1/2" BOLT	02
22	0501031796	HYDRAULIC CYLINDER REPAIR KIT	





**MARCHESAN IMPLEMENTOS E MÁQUINAS AGRÍCOLAS TATU S.A.**  
AV. Marchesan, 1979 - Post office box, 131 - CEP 15994-900 - Matão - SP - Brazil  
Phone +55 16.3382-8282  
(FAX Parts) + 55 16.3382. 8297 - (Export) + 55 16.3382.1003  
e.mail: [tatu@marchesan.com.br](mailto:tatu@marchesan.com.br)    [www.marchesan.com.br](http://www.marchesan.com.br)

*Drafting and Illustration = GASPARI*  
*e.mail = [jgaspari@marchesan.com.br](mailto:jgaspari@marchesan.com.br)*

**ORIGINAL PARTS  
TATU**

