

PARTS CATALOG

ROTARY CUTTERS

RCA2E 3400 S-0304

Code: 0501091353



Series: S-0304

Review: MARÇO/04

ORIGINAL PARTS
TATU

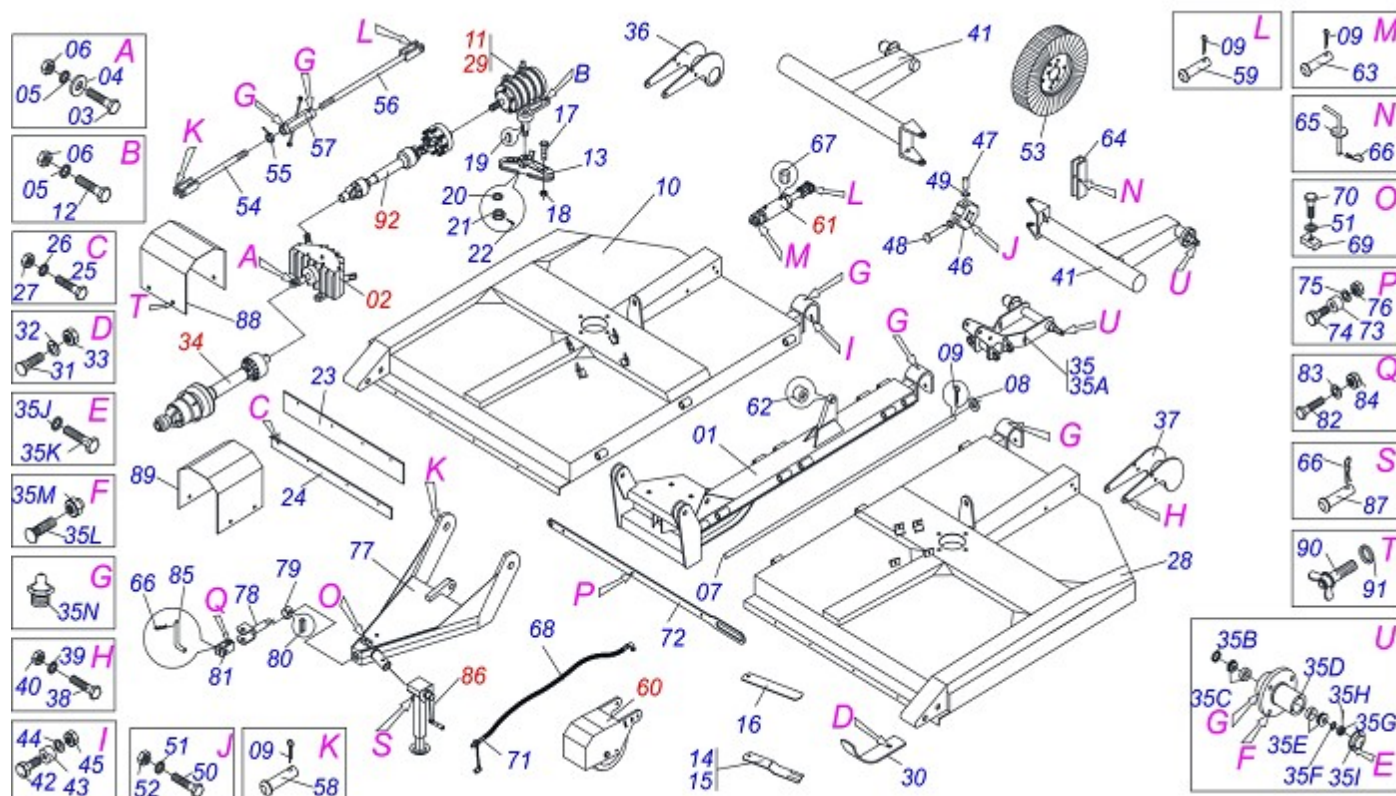


INDEX

RCA2/E 3400 FRAME ASSY	1
DOUBLE DISTRIBUTOR	2
MSE MULTIPLIER	3
MSD MULTIPLIER	4
DRIVE SHAFT	5
CARDAN 60 X 900 T1/T6 C/P 0501047948 (STU)	6
PROTECTION WHEELS FRONT ASSY	7
1.7" X 3.4" X 21" X 7" HYDRAULIC CYLINDER	8
DRAWBAR JACK ASSY	9
DRIVE SHAFT	10
CARDAN 40 X 400 T1/T9 C/P 0501048241 (STU)	11
90 KGM FRICTION	12
RUBBER WHEEL ASSY RC 3100	13

ATTENTION: **IMPORTANT**

MARCHESAN RESERVES THE RIGHT AT ANY TIME TO MAKE IMPROVEMENTS IN THE DESIGN, MATERIAL OR SPECIFICATIONS OF MACHINERY, EQUIPMENT OR PARTS WITHOUT THEREBY BECOMING LIABLE TO MAKE SIMILAR CHANGES IN MACHINERY, EQUIPMENT OR PARTS PREVIOUSLY SOLD.



Item	Code	Description	QT
01	0511062798	CENTER FRAME RCA2/E 3400	01
02	0501048961	DOUBLE DISTRIBUTOR	01
03	0501010125	3/4" X 2-1/2" BOLT	04
04	0501010322	FLAT WASHER	04
05	0503010023	3/4" SPRING WASHER	12
06	0503010014	3/4" NUT	12
07	0531012224	FRAME UNION AXLE	02
08	0501011445	FLAT WASHER	04
09	0503010571	1/4" X 1.1/2" COTTERPIN	10
10	0511062791	RIGHT FRAME	01
11	0511040798	MSD MULTIPLIER	01
12	0503010797	3/4" X 4" BOLT	08
13	0502012069	540 SUPP THE ROTARY CUTTER BLADES	01
14	0622400055	RH 24"X4"X0,5" ROTARY CUTTER BLADES	02
15	0622400056	24"X4"X0,5" LEFT ROTARY CUT BLADES	02
16	0531015055	620 FOLLOWER	02
17	0531014512	FASTENER ROCADORES	02
18	0503010812	7/8" UNF SELF ADJUSTING NUT	02
19	0501010536	0.4" X 1.7" KEYWAY SQUARE	04
20	0501017779	FLAT WASHER	02
21	0503011052	1.1/4" X 0.77" CASTLE NUT	02
22	0503010067	3/16" X 2.1/2" COTTER PIN	02
23	0541011553	47" PROTECTION FRONT	02
24	0531014533	FRONT PROTECTION FIXER BAR	02
25	0503010849	3/8" X 1-1/2" BOLT	10
26	0503010025	3/8" SPRING WHASHER	05
27	0503010026	3/8" NUT	05
28	0511062792	LEFT FRAME	01
29	0511040092	MSE MULTIPLIER	01
30	0521013465	SKID GUIDE	01
31	0503012956	1/2" X 1-1/2" BOLT	03
32	0511017302	FLAT WASHER	03
33	0503010020	1/2" NUT	03



RCA2/E 3400 FRAME ASSY

0909090948

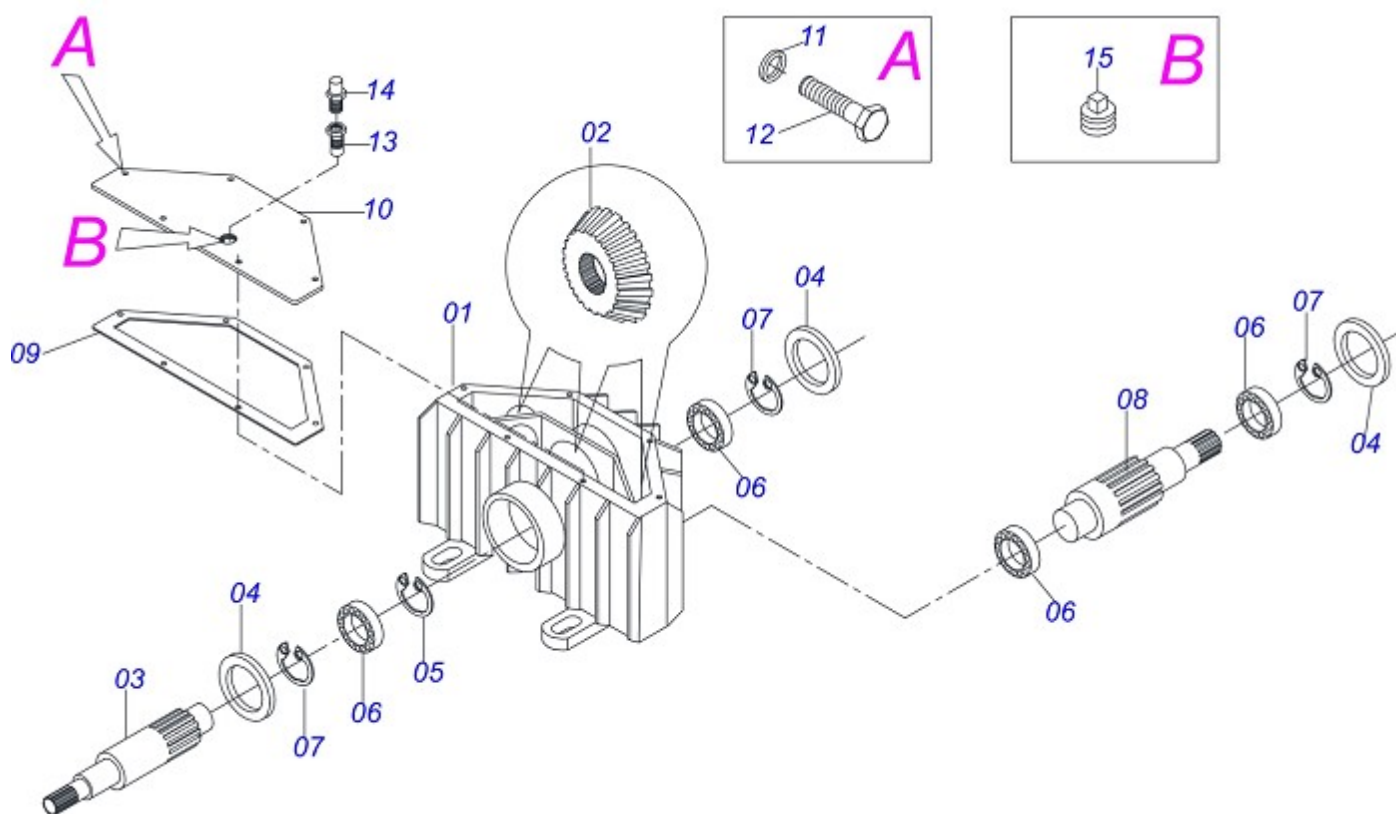
Item	Code	Description	QT
34	0501049129	DRIVE SHAFT	01
35	0501053419	HUB CENTER WHELLS SUPPORT	01
35A	0511062797	CENTER WHELLS SUPPORT	01
35B	0503010278	SEAL # 00527-B	03
35C	0503010016	BEARING LM 48548/48510	03
35D	0502020397	HUB	03
35E	0503010022	BEARING LM 67048/67010	03
35F	0501010322	FLAT WASHER	03
35G	0503030010	7/8" CASTLE NUT	03
35H	0503010018	5/32" X 1-1/2" COTTERPIN	03
35I	0501014374	COVER AELH	03
35J	0503011441	1/4" SPRING WASHER	09
35K	0503010298	1/4" X 1/2" BOLT	09
35L	0501010127	9/16" X 1-7/8" LUG BOLT	12
35M	0503010035	9/16" CONICAL NUT	12
35N	0503010002	GREASE FITTING	10
36	0511060360	WHEELS RIGHT FIXER	01
37	0511060361	WHEELS LEFT FIXER	01
38	0503010795	5/8" X 7" BOLT	06
39	0503010027	5/8" SPRING WASHER	06
40	0503010013	5/8" NUT	06
41	0511062796	SIDE WHELLS SUPPORT	01
42	0503011198	3/4" X 6" BOLT	03
43	0511017147	0.8" X 1.2" X 4.1" BUSHING	03
44	0503010023	3/4" SPRING WASHER	05
45	0503010014	3/4" NUT	05
46	0502011268	ARTICULATOR BODY	02
47	0511011745	CRUSSPIECE PIN	04
48	0521018993	CROSSPIECE COUPLING SHAFT	02
49	0521010907	FLAT WASHER	08
50	0503011141	3/8" X 2-3/4" BOLT	04
51	0503010025	3/8" SPRING WHASHER	15
52	0503010026	3/8" NUT	14
53	0501043559	WHEEL SEGMENT	04
54	0511062794	SMALLER STABILIZER	01
55	0501110252	185 ADJUSTMENT NUT	01
56	0511062795	LARGER STABILIZER	01
57	0501064974	LOCKNUT WITH HANDLER	01
58	0521010572	0.9" X 2.9" COUPLING SHAFT	05
59	0521010585	0.9" X 5.9" COUPLING SHAFT	02
60	0511040988	PROTECTION WHEELS FRONT ASSY	01
61	0501048464	1.7" X 3.4" X 21" X 7" HYDRAULIC CYLINDER	01
62	0511019921	1.3" X 0.1" X 1" SLEEVE	03
63	0521010575	0.9" X 3.7" COUPLING SHAFT	01
64	0521014258	6.9" X 1.9" TRANSPORT LOCK	01
65	0501068994	0.3" X 3.1" LOCK PIN	01
66	0503030168	HAIR PIN	01
67	0511017628	BREATHER 1/4 HYDRAULIC CYLINDER	01
68	0501080422	3/8" X 157" TC-TM HOSE ASSY	01
69	0502010477	UPPER CLAMP BODY	01
70	0503010751	3/8" X 1.1/4" HEX BOLT G.5	01
71	0501053834	QUICK CONECTION (MALE) 1/2NPT	01
72	0531012226	STABILIZER BAR	02
73	0501013704	1" X 0.5" X 1" BUSHING	03
74	0503010905	1/2" X 2-1/4" BOLT	03
75	0503010019	1/2" SPRING WASHER	03
76	0503010060	1/2" NUT	03
77	0511062793	DRAWBAR	01
78	0501063628	ROTARY HITCH	01
79	0501017106	1.5" X 2.2" X 1.6" BUSHING	01
80	0503010815	0.5" X 2.16" ELASTIC PIN	01
81	0501063629	U TRACTOR COUPLING	01



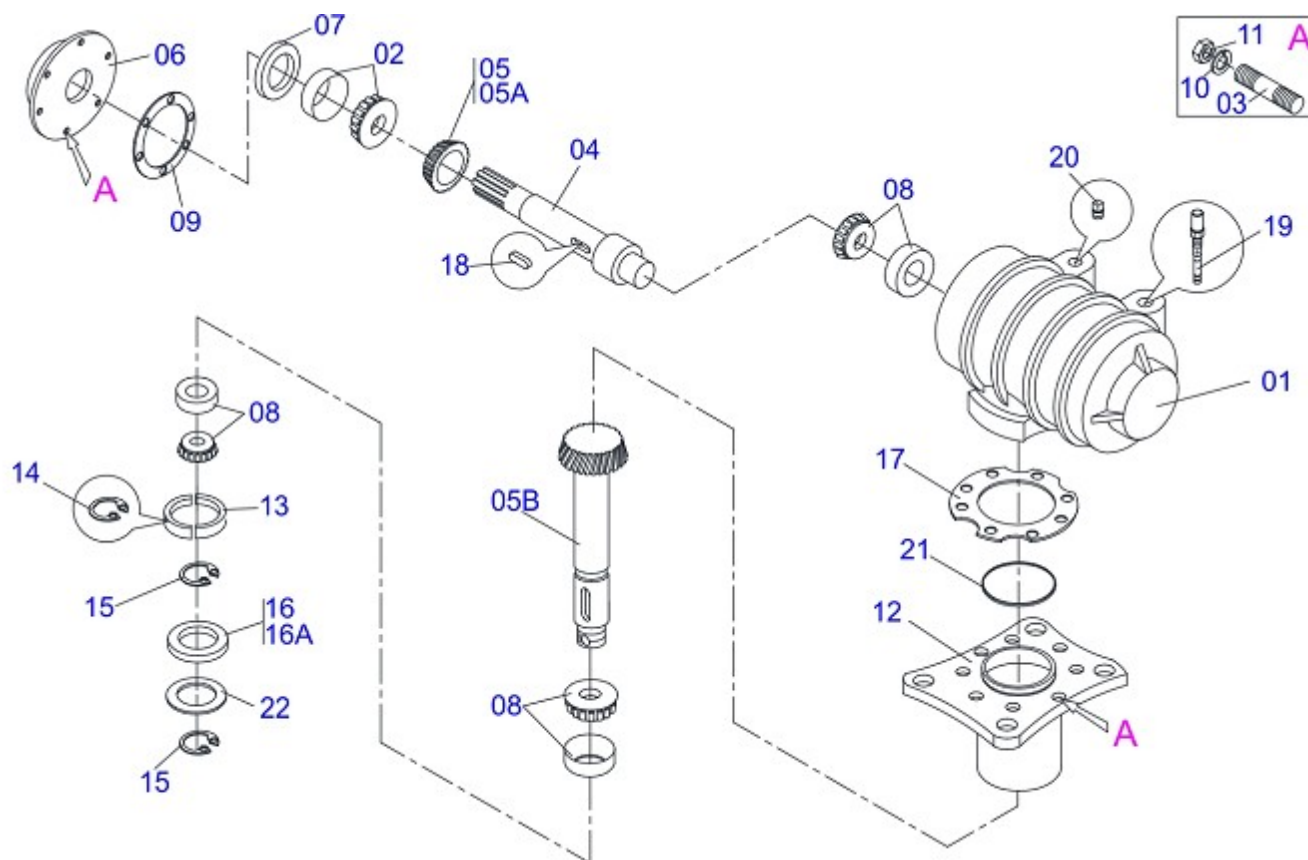
RCA2/E 3400 FRAME ASSY

0909090948

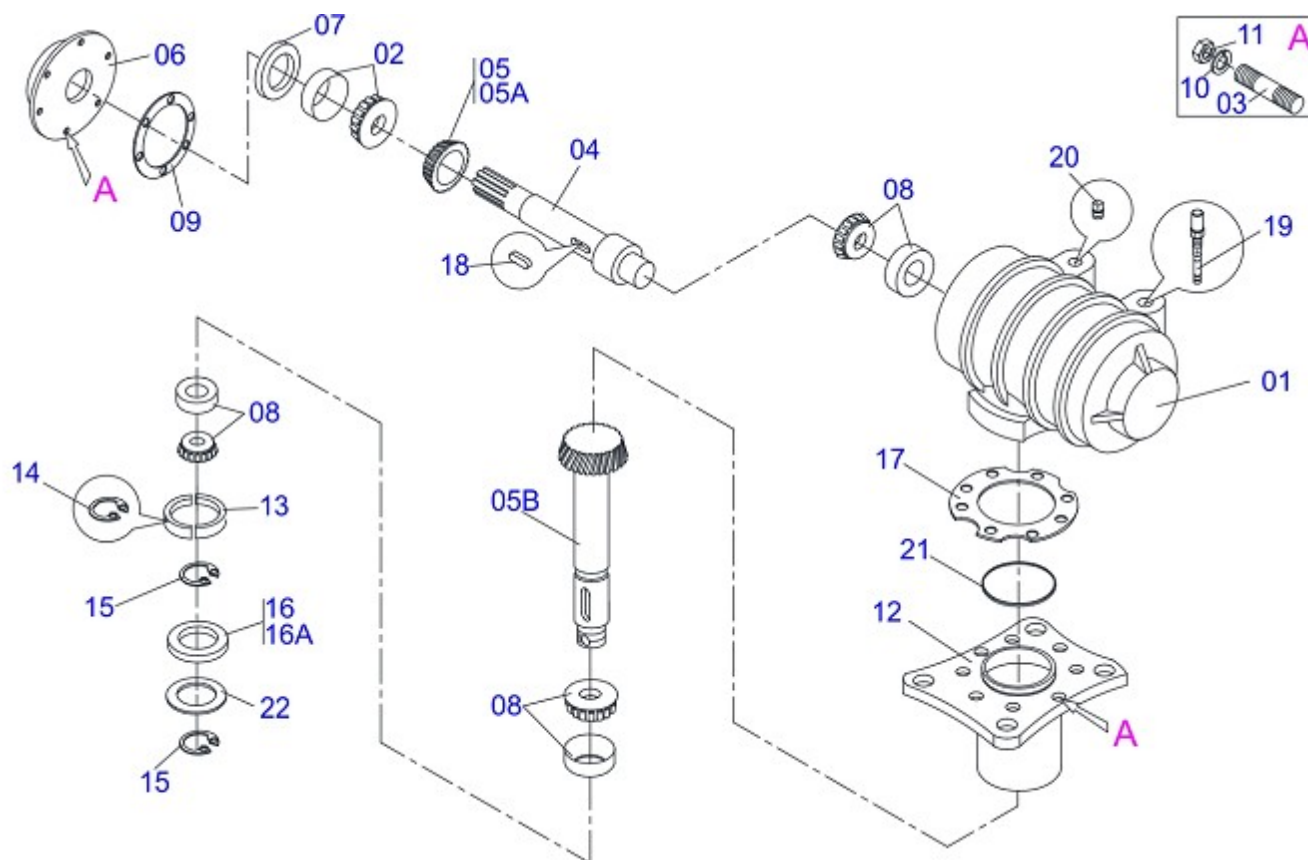
Item	Code	Description	QT
82	0501010191	1" X 6" BOLT	01
83	0503011438	1" SPRING WASHER	01
84	0501010059	1" NUT HEX	01
85	0501040343	HITCH PIN ASSY	01
86	0511041259	DRAWBAR JACK ASSY	01
87	0521010549	0.5" X 2.3" COUPLING SHAFT	01
88	0531018032	RIGHT PROTECTION COVER	01
89	0531018033	LEFT PROTECTION COVER	01
90	0503012904	3/8" BUTTERFLY BOLT	08
91	0501010984	FLAT WASHER	08
92	0511040198	DRIVE SHAFT	02



Item	Code	Description	
00	0501048961	DOUBLE DISTRIBUTOR	01
01	0502010861	DISTRIBUTOR BOX	01
02	0503030632	24Z CONICAL GEAR	03
03	0503031559	CENTRAL AXLE	01
04	0503010818	02675-BRG SEAL	04
05	0503010372	501050 CLAMPING RING (FOR AXLE)	01
06	0503011095	6208 BALL BEARING	06
07	0503011100	502080 CLAMPING RING (FOR AXLE)	04
08	0503030633	SIDE AXLE	02
09	0503030656	13.9" X 6.1" X 0.03" JOINT	01
10	0511011206	BOX COVER	01
11	0503010179	5/16" SPRING WASHER	06
12	0503010240	5/16" X 3/4" BOLT	06
13	0511013020	1.49" BREATHING HOLE	01
14	0503010325	VCA-118 VALVE	01
15	0503010856	3/8" OIL PLUG	02

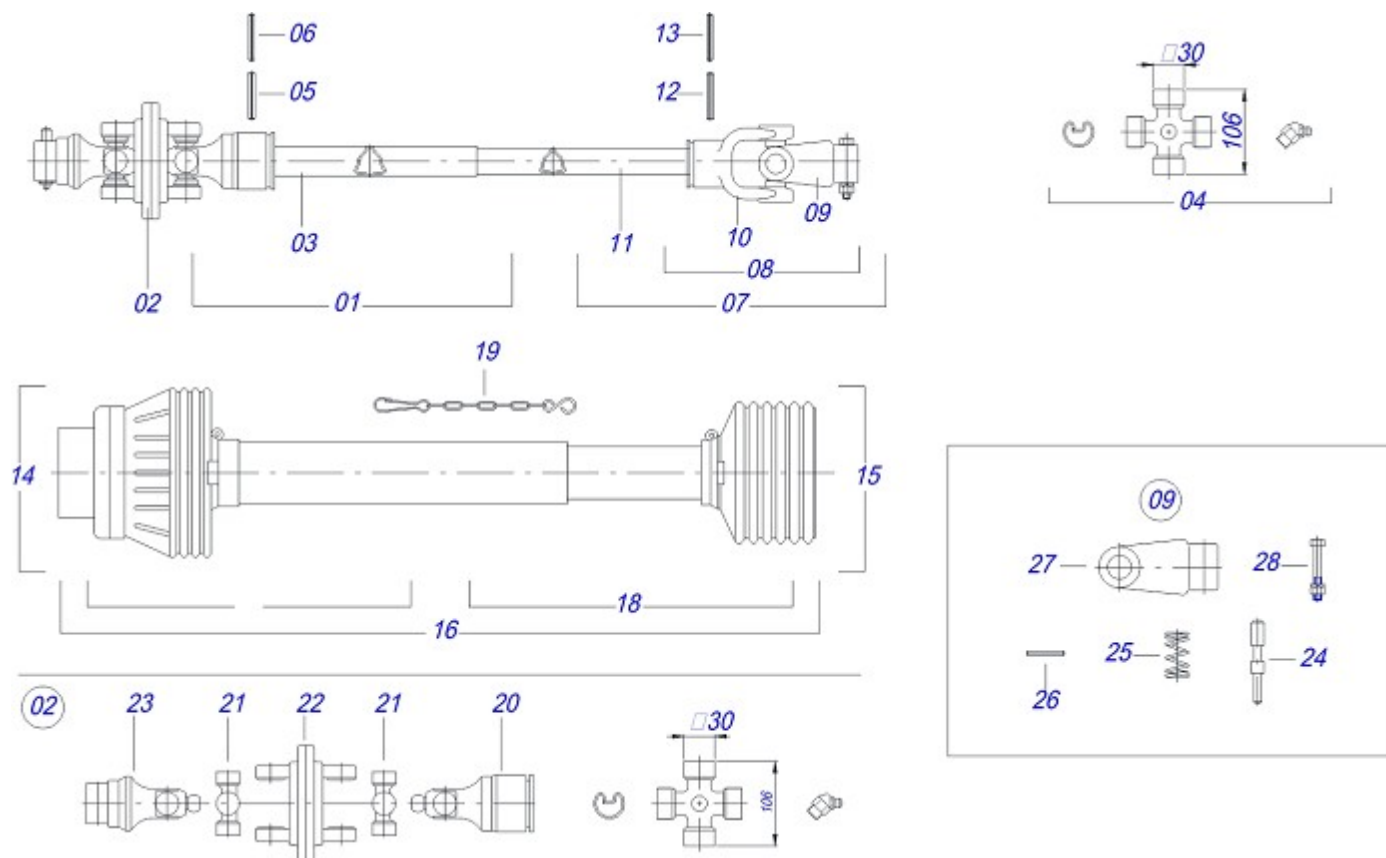


Item	Code	Description	QT
00	0511040092	MSE MULTIPLIER	01
01	0502010984	LEFT MULTIPLIER BOX	01
02	0503010037	30207 ROLLER BEARING	01
03	0503030084	1/2" X 1/2" X 2.0" PRISONER	14
04	0503050067	UPPER AXLE	01
05	0503060539	CROWN PINION SET	01
05A	0503031702	18Z CONICAL GEAR	01
05B	0503031701	PINION CONICAL 12Z EG1755	01
06	0502011152	SMALLER COVER	01
07	0503011171	00912-BRG SEAL	01
08	0503010006	32210 ROLLER BEARING	03
09	0503030783	7.1" X 5.3" X 0.008" JOINT	03
10	0503011440	1/2" SPRING WASHER	14
11	0503010028	1/2" NUT	14
12	0502010985	LOWER HUB	01
13	0511010142	LOCK RING	01
14	0503010396	501060 CLAMPING RING (FOR AXLE)	01
15	0503011190	502090 CLAMPING RING (FOR AXLE)	02
16	0503011047	5089 SEAL	01
16A	0503011201	5089 SEAL WITH HOLE	01
17	0503030785	7.9" X 5.9" X 0.008" JOINT	03
18	0501010536	0.4" X 1.7" KEYWAY SQUARE	02
19	0501110186	OIL SMALLER LEVEL INDICATOR	01
20	0503010123	1/2" BSPT PLUG	02
21	0503010286	2-355 N 3006-9B O'RING	01
22	0521018064	FLAT WASHER	01

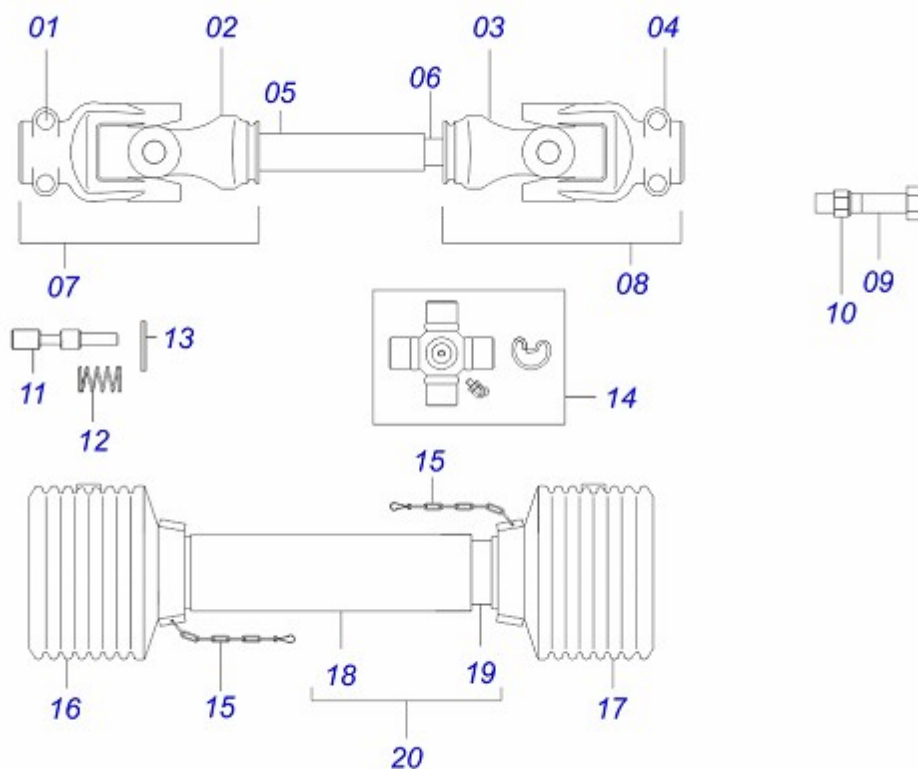


Item	Code	Description	QT
00	0511040798	MSD MULTIPLIER	01
01	0502010983	RIGHT MULTIPLIER BOX	01
02	0503010037	30207 ROLLER BEARING	01
03	0503030084	1/2" X 1/2" X 2.0" PRISONER	14
04	0503050068	UPPER AXLE	01
05	0503060539	CROWN PINION SET	01
05A	0503031702	18Z CONICAL GEAR	01
05B	0503031701	PINION CONICAL 12Z EG1755	01
06	0502010986	SMALLER COVER	01
07	0503011171	00912-BRG SEAL	01
08	0503010006	32210 ROLLER BEARING	03
09	0503030783	7.1" X 5.3" X 0.008" JOINT	03
10	0503011440	1/2" SPRING WASHER	14
11	0503010028	1/2" NUT	14
12	0502010985	LOWER HUB	01
13	0511010142	LOCK RING	01
14	0503010396	501060 CLAMPING RING (FOR AXLE)	01
15	0503011190	502090 CLAMPING RING (FOR AXLE)	02
16	0503011047	5089 SEAL	10
16A	0503011201	5089 SEAL WITH HOLE	01
17	0503030785	7.9" X 5.9" X 0.008" JOINT	03
18	0501010536	0.4" X 1.7" KEYWAY SQUARE	02
19	0501110186	OIL SMALLER LEVEL INDICATOR	01
20	0503010123	1/2" BSPT PLUG	01
21	0503010286	2-355 N 3006-9B O-RING	01
22	0521018064	FLAT WASHER	01

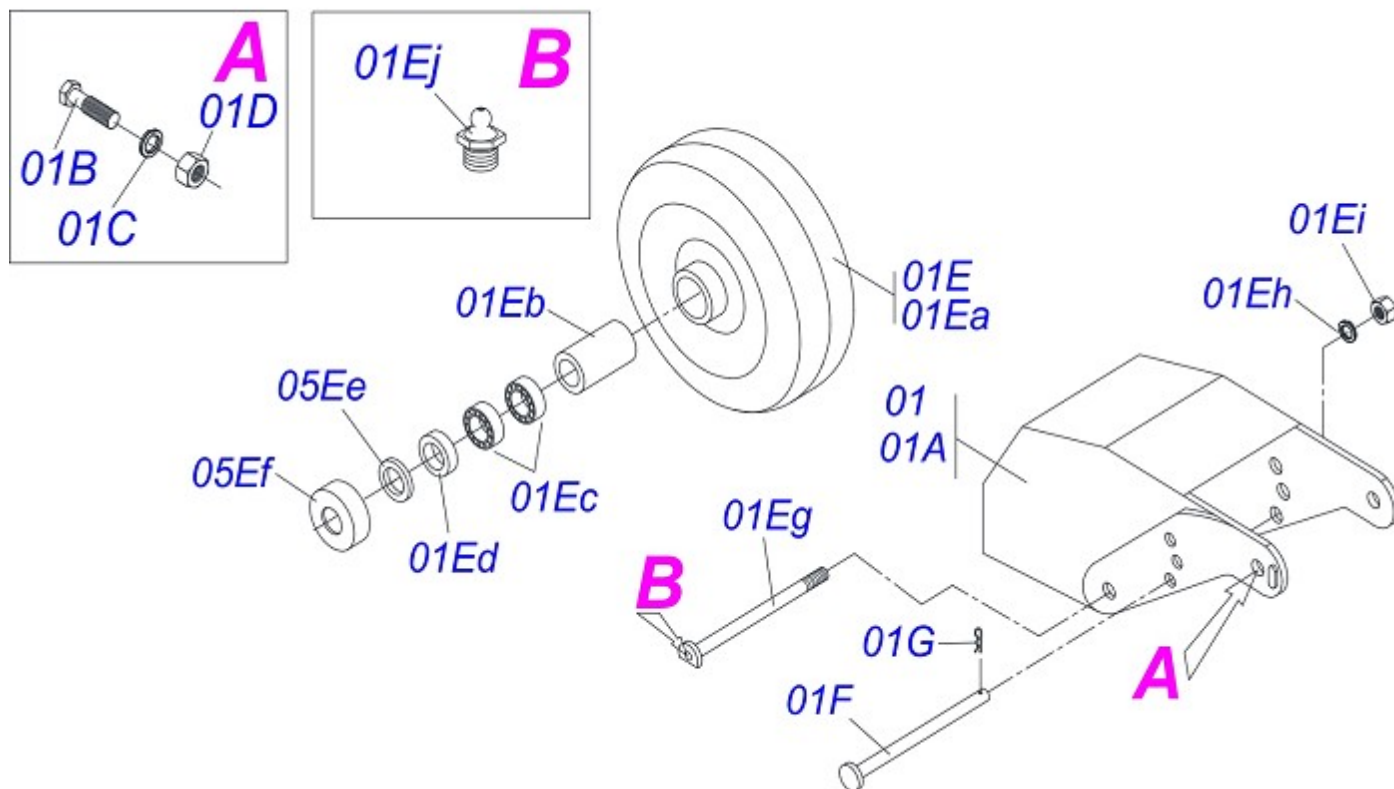
DRIVE SHAFT



Item	Code	Description	
00	0501049129	DRIVE SHAFT	01
01	0501052544	HOMO JOINT WITH FEMALE BUSHING	01
02	0501052518	HOMOCINETIC JOINT ASSY	01
03	0503012618	2.1" X 2.0" X 31" TRIAN FEMALE TUB	01
04	0503010837	CARDAN CROSSPIECE	01
05	0503010843	0.4" X 3.3" ELASTIC PIN	01
06	0503011878	0.2" X 3.3" ELASTIC PIN	01
07	0501052545	UNIVERSAL JOINT WITH CROSS/SHAFT	01
08	0501052546	UNIVERSAL JOINT	01
09	0501052516	T6-60 TERMINAL WITH SCREW	01
10	0503012600	T3-60/CI52 TERMINAL	01
11	0503012619	1.8" X 1.7" X 31" TRIAN MALE TUB	01
12	0503011069	0.4" X 2.8" ELASTIC PIN	01
13	0503011805	0.2" X 2.8" ELASTIC SPRING PIN	01
14	0501052548	HOMO JOINT WITH PROT FEMALE BUSHING	01
15	0501052549	UNIVERSAL JOINT WITH SHAFT/PROT	01
16	0503012620	PROTECTION ASSY	01
17	0503012621	PROTECTION FOR HOMO JOINT AND SLEEV	01
18	0503012076	PROTECTION FOR UNIV JOINT AND AXLE	01
19	0503012023	CHAIN FOR UNIV JOINT PROTECTION	01
20	0503012604	HOMO TERMINAL W/ FEMALE BUSHING	01
21	0503012605	CROSSPIECE	02
22	0503012606	CENTER BODY	01
23	0503012607	TRACTOR HOMOCINETIC TERMINAL	01
24	0521010638	0.5" X 3.3" QUIC HITCH COUPL SHAFT	02
25	0503030518	0.5"X1.0"X 0.1" COMPRESSION SPRING	02
26	0503010838	0.1" X 0.8" ELASTIC PIN	02
27	0502010830	6-60 STRIATED 1.3/8" TERMINAL	01
28	0501047759	1/2" X 3-1/2" BOLT ASSY	02



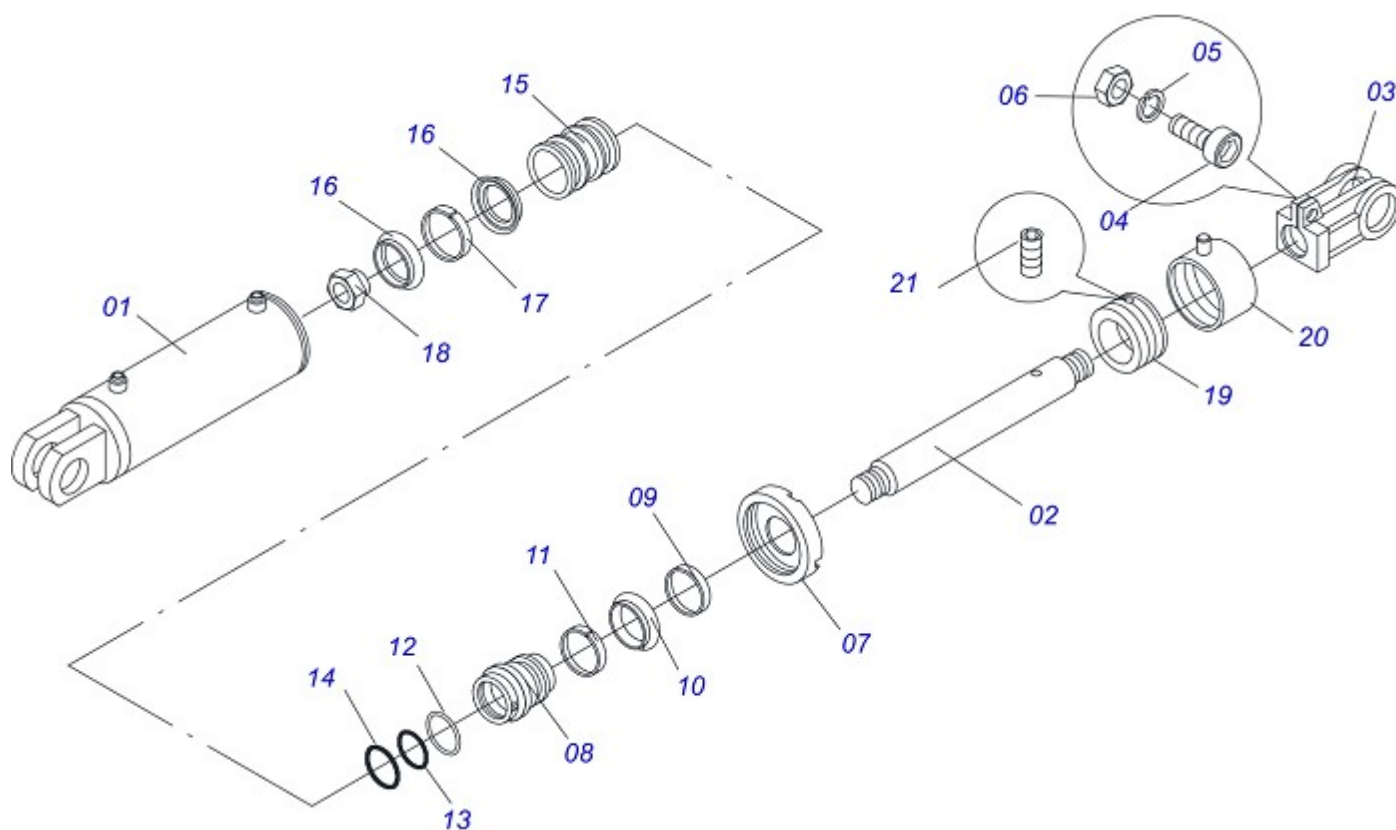
Item	Code	Description	QT
01	0503017647		01
02	0503017672		01
03	0503017673		01
04	0503017674		01
05	0503017687		01
06	0503017685		01
07	0503062347		01
08	0503062348		01
09	0503017645		01
10	0503017646		01
11	0503017626		01
12	0503017627		01
13	0503017628		01
14	0503017667		02
15	0503017631		02
16	0503017680		01
17	0503017681		01
18	0503017682		01
19	0503017683		01
20	0503062354		01



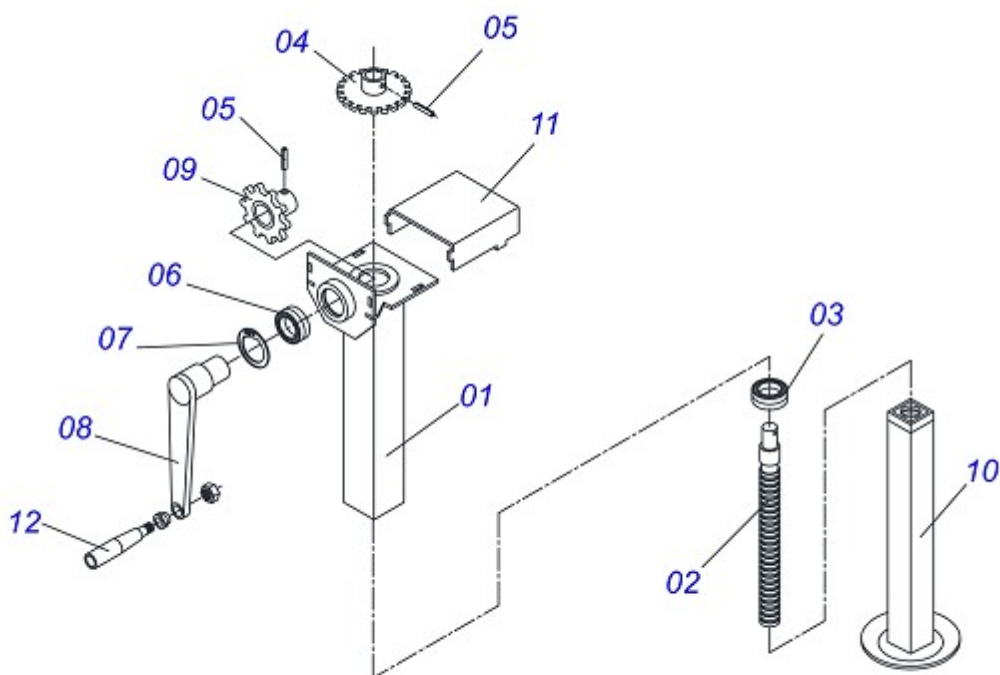
Item	Code	Description	
00	0511040988	PROTECTION WHEELS FRONT ASSY	01
01	0511061700	COVER FRONT WHEEL SUPPORT	01
02	0503012951	3/4" X 10-1/2" BOLT	01
03	0503010023	3/4" SPRING WASHER	02
04	0503010014	3/4" NUT	02
05	0501053885	ARM FRONT WHELL	01
05A	0511063509	14" X 8" WHELL	01
05B	0531014502	0.9" X 1.1" X 6.3" SLEEVE	01
05C	0503010269	6204 BALL BEARING	04
05D	0521010487	SPACER WASHER	02
05E	0503010268	00262-B SEAL	02
05F	0511014254	DOOR HOSE	02
05G	0551011854	REAR CARRYING WHEELS AXLE	01
05H	0503010002	GREASE FITTING	01
06	0531014507	0.6" X 10" COUPLING SHAFT	01
07	0503030168	HAIR PIN	01

1.7" X 3.4" X 21" X 7" HYDRAULIC CYLINDER

0501048464

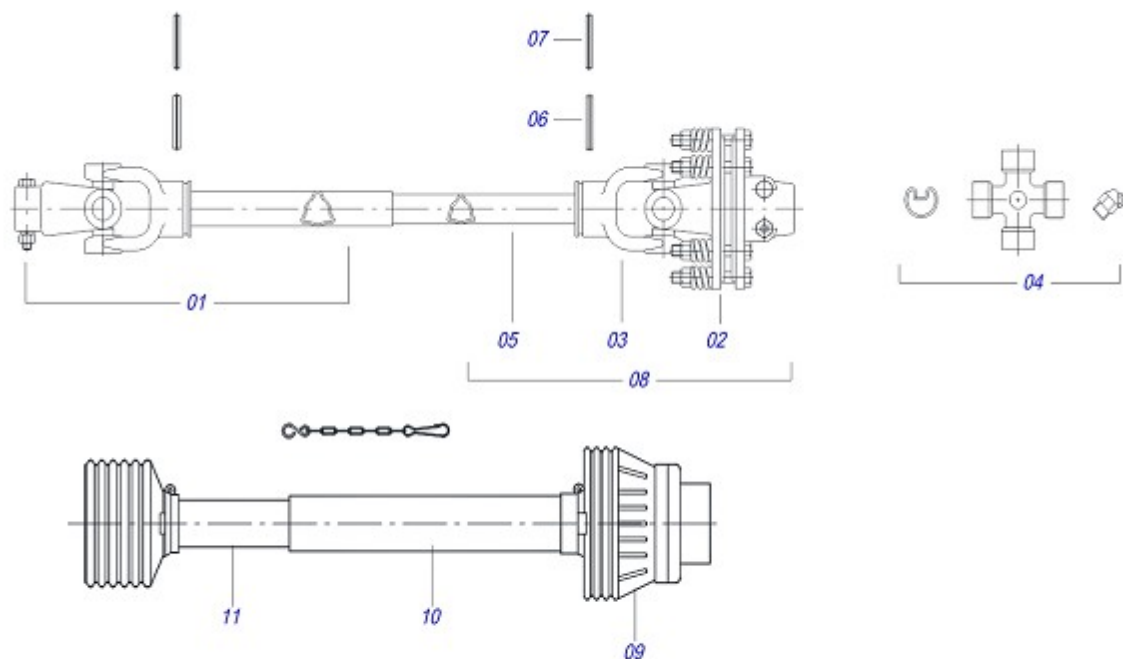


Item	Code	Description	
00	0501048464	1.7" X 3.4" X 21" X 7" HYDRAULIC CYLINDER	01
01	0501064255	2.4" X 8" CYLINDER CASE	01
02	0521014292	1.7" X 15" TURNBUCLE WITH HOLES	01
03	0502040493	CLEVIS 26,50 R41	01
04	0503011094	3/8" X 2" BOLT C C S I 12.9	01
05	0503010025	3/8" SPRING WHASHER	01
06	0503010026	3/8" NUT	01
07	0502010993	DETACHABLE COVER	01
08	0502010781	RING SUPPORT	01
09	0503010761	D-1750 SCRAPER RING	01
10	0503010990	GASKET	01
11	0503010949	W2-2000-500 PK RING G.E	01
12	0503011060	8-336 BACK-UP RING	01
13	0503010976	2-336 N 3006-9B O'RING	01
14	0503010042	2-214 N 3006-9B O'RING	01
15	0502010843	1.8" X 3.4" PISTON	01
16	0503010170	PACKING 3120 2750	02
17	0503010948	W4-3346-590 PK RING G.E	01
18	0503010063	1" SELF-ALIGNING NUT	01
19	0521014003	REG INNER BODY OF THE CARRY-WHEEL	01
20	0511060370	CARRY-W REG OUTER BODY ASSY	01
21	0503011148	3/8" X 1/2" BOLT	02
22	0501031796	HYDRAULIC CYLINDER REPAIR KIT	

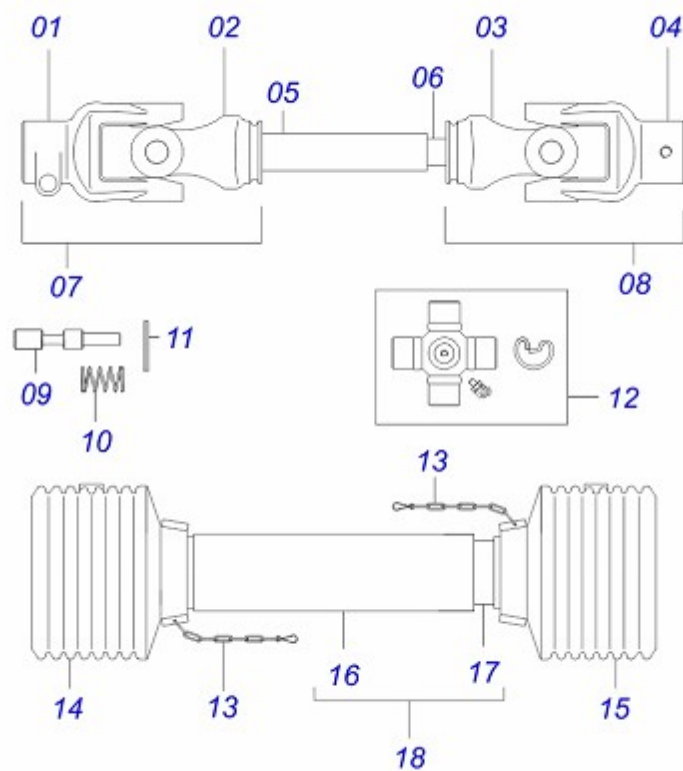


Item	Code	Description	
00	0511041259	DRAWBAR JACK ASSY	01
01	0511064237	OUTER BODY DRAWBAR JACK	01
02	0531017603	JACK SPINDLE	01
03	0503013092	51305 BEARING	01
04	0511064234	20Z DRIVER GEAR	01
05	0503010561	0.2" X 1.4" ELASTIC PIN	02
06	0503011410	BALL BEARING	01
07	0503011105	502047 CLAMPING RING (FOR AXLE)	01
08	0511064235	JACK CRANK	01
09	0511064233	10Z DRIVER GEAR	01
10	0511064236	JACK INNER BODY	01
11	0531017602	PROTECTION COVER GEAR	01
12	0503011312	ROTATIVE CABLE	01

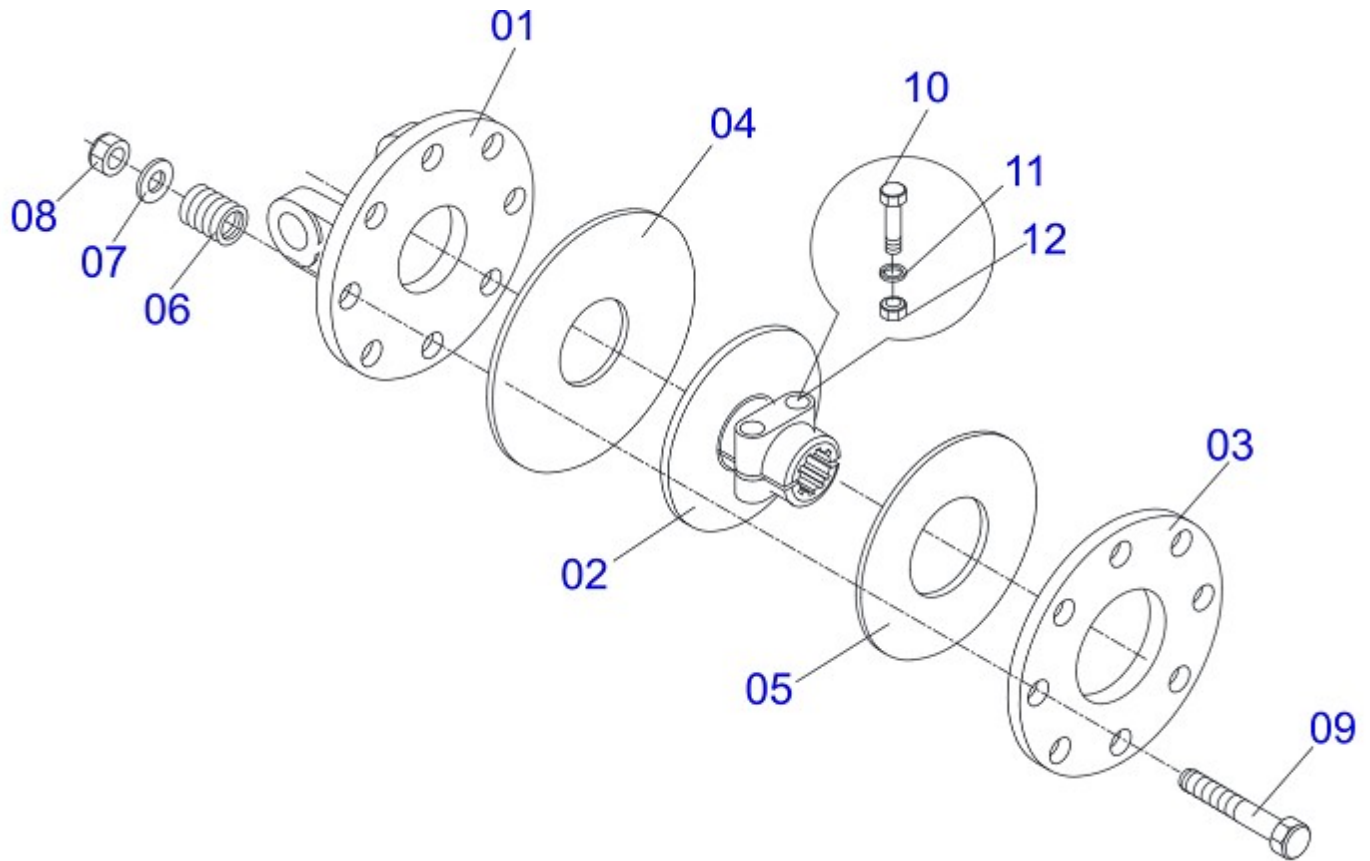
DRIVE SHAFT



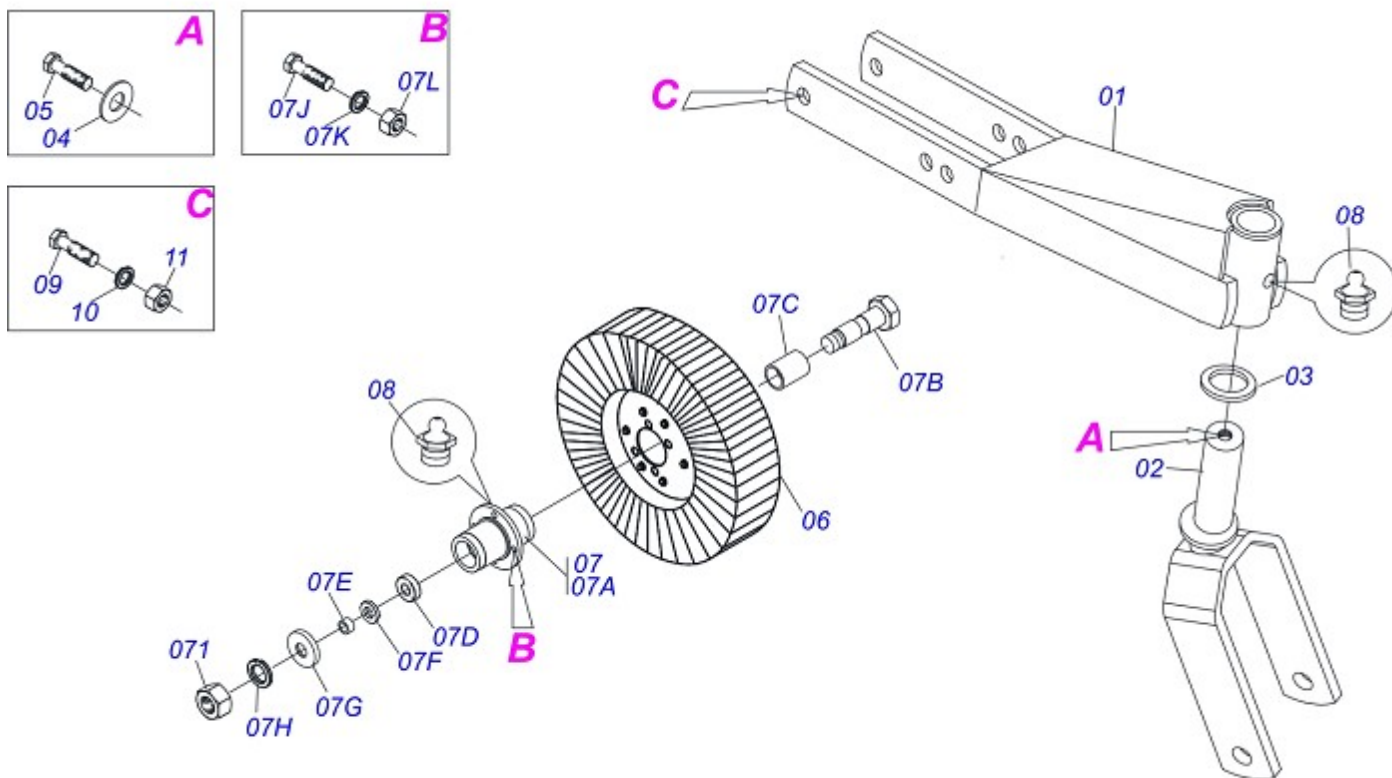
Item	Code	Description	
00	0511040198	DRIVE SHAFT	01
01	0503013279	FEMALE CARDAN	01
02	0501047953	90 KGM FRICTION	01
03	0503013187	TERMINAL	01
04	0503013260	CROSSPIECE	01
05	0503013261	MALE TRINGULAR TUBE	01
06	0503010842	0.39" X 2.95" ELASTIC PIN	01
07	0503013259	ELASTIC PIN 06 X 75	01
08	0503013278	MALE CARDAN	01
09	0503013262	FRICTION DISC PROTECTION ASSY	01
10	0503013263	FEMALE PROTECTION TUBE	01
11	0503013264	MALE PROTECTION TUBE	01



Item	Code	Description	QT
01	0503017647		01
02	0503017648		01
03	0503017649		01
04	0503017658		01
05	0503017642		01
06	0503017643		01
07	0503062344		01
08	0503062345		01
09	0503017626		01
10	0503017627		01
11	0503017628		01
12	0503017644		02
13	0503017631		02
14	0503017632		01
15	0503017633		01
16	0503017677		01
17	0503017678		01
18	0503062352		01



Item	Code	Description	
00	0501047953	90 KGM FRICTION	01
01	0503012095	FRONT FLANGE	01
02	0503011869	CENTRAL FLANGE	01
03	0503011870	REAR FLANGE	01
04	0503031474	INNER FRICTION DISC	01
05	0503031478	OUTER FRICTION DISC	01
06	0503030630	1.02"X1.3"X0.2" COMPRESSION SPRING	08
07	0511017302	FLAT WASHER	08
08	0503011336	1/2" HEX SELF ADJUSTING NUT	08
09	0503010752	1/2" X 3.1/2" BOLT	08
10	0503010741	1/2" X 2-3/4" BOLT	02
11	0503010019	1/2" SPRING WASHER	02
12	0503010060	1/2" NUT	02



Item	Code	Description	
01	0501043642	RUBBER WHEEL ASSY RC 3100	01
01A	0501069375	WHEEL SUPPORT	01
02	0501065266	WHELL FORK	01
03	0511013239	FLAT WASHER	01
04	0511010721	FLAT WASHER	01
05	0503010962	5/8" X 1-1/4" BOLT	01
06	0501050433	TIRE WHELL	01
07	0501051587	WHEELS BOX ASSY	01
07A	0502011286	WHEELS BOX ASSY	01
07B	0501017143	WHEEL AXLE	01
07C	0521010460	0.9" X 1.1" X 2.9" SLEEVE	01
07D	0503010269	6204 BALL BEARING	02
07E	0521010487	SPACER WASHER	02
07F	0503010689	SEAL 00763-BR	02
07G	0511011001	DUST CLOAK	01
07H	0503010023	3/4" SPRING WASHER	01
07I	0503010014	3/4" NUT	04
07J	0501010080	3/8" X 1-1/2" BOLT	04
07K	0503010025	3/8" SPRING WHASHER	04
07L	0503010026	3/8" NUT	02
08	0503010002	GREASE FITTING	01
09	0503010795	5/8" X 7" BOLT	02
10	0503010027	5/8" SPRING WASHER	02
11	0503010013	5/8" NUT	02



MARCHESAN

MARCHESAN IMPLEMENTOS E MÁQUINAS AGRÍCOLAS TATU S.A.

AV. Marchesan, 1979 - Post office box, 131 - CEP 15994-900 - Matão - SP - Brazil

Phone +55 16.3382-8282

(FAX Parts) + 55 16.3382. 8297 - (Export) + 55 16.3382.1003

e.mail: tatu@marchesan.com.br www.marchesan.com.br

*Drafting and Illustration = GASPARI
e.mail = jgaspari@marchesan.com.br*

**ORIGINAL PARTS
TATU**



MARCHESAN

PARTS CATALOG



**ORIGINAL PARTS
TATU**

