

# PARTS CATALOG

## ROTARY CUTTERS

### RC2E 3100 CL S-0500

Code: 0501091351



Series: S-0500

Review: MAIO/00

ORIGINAL PARTS  
TATU

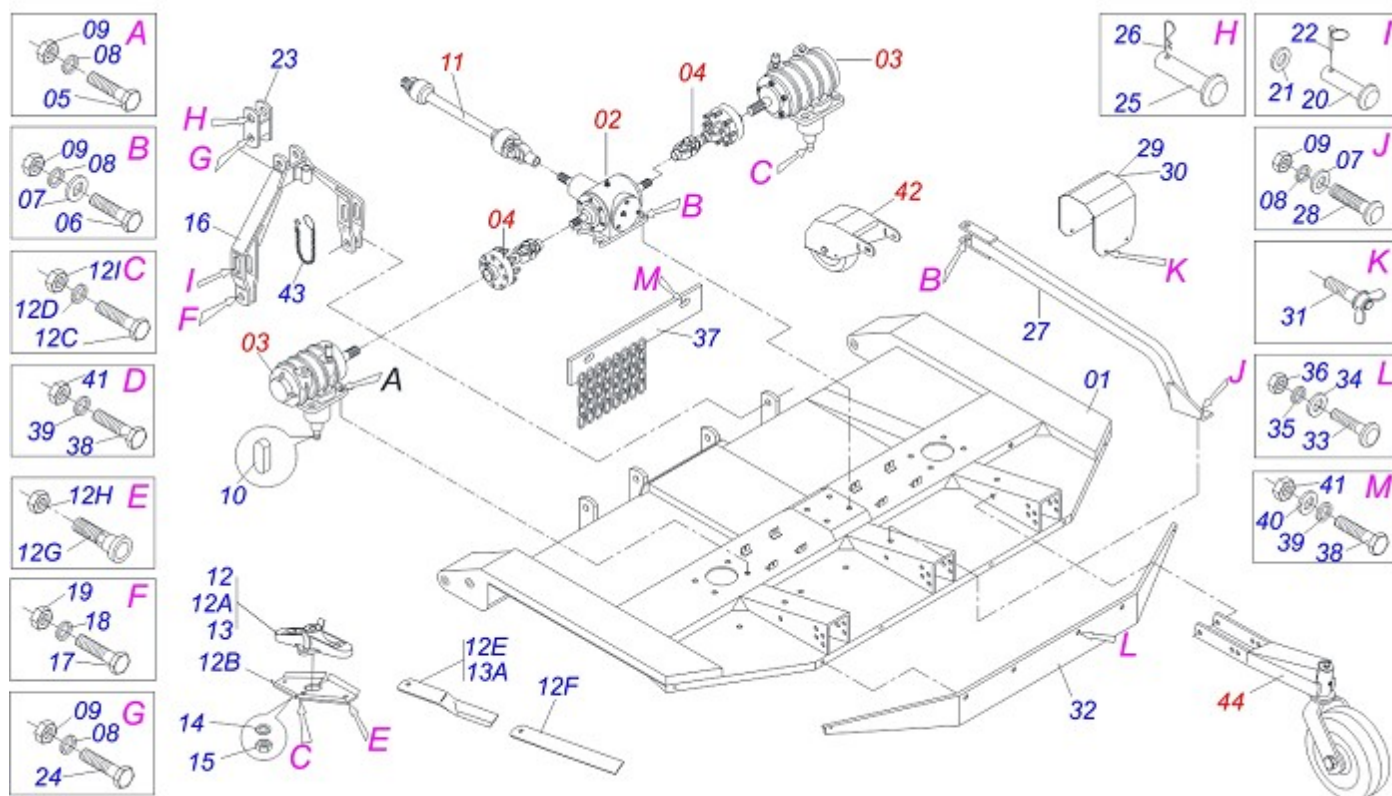


# INDEX

RC2E 3100 CL S-0500	1
DOUBLE DISTRIBUTOR	2
BOX MULTIPLIER	3
DRIVE SHAFT	4
CARDAN 40 X 400 T1/T9 C/P 0501048241 (STU)	5
DRIVE SHAFT	6
CARDAN 60 X 900 T1/T6 C/P 0501047948 (STU)	7
PROTECTION WHEELS FRONT ASSY	8
CARRYING WHEELS ASSY	9
90 KGM FRICTION	10

## ATTENTION: **IMPORTANT**

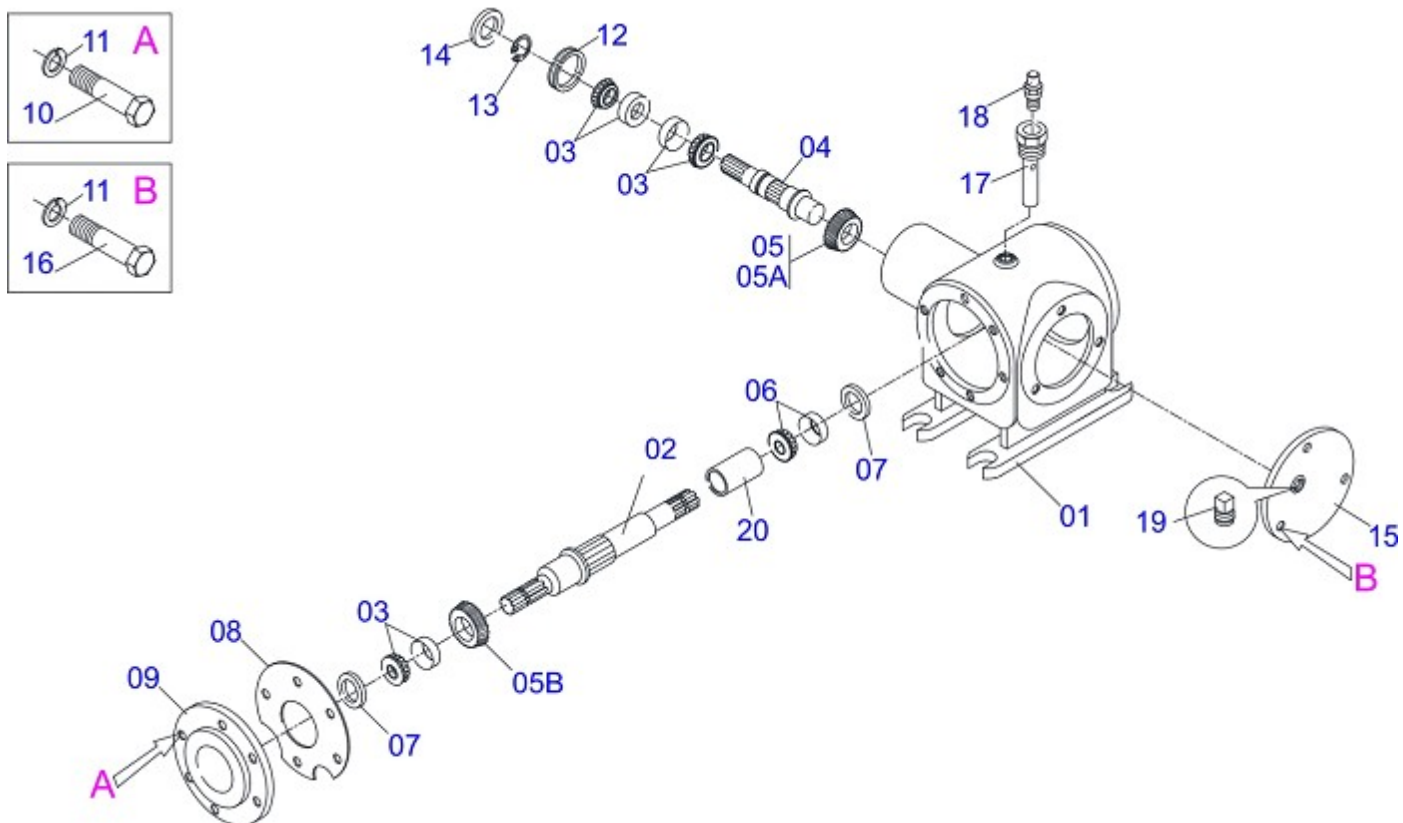
MARCHESAN RESERVES THE RIGHT AT ANY TIME TO MAKE IMPROVEMENTS IN THE DESIGN, MATERIAL OR SPECIFICATIONS OF MACHINERY, EQUIPMENT OR PARTS WITHOUT THEREBY BECOMING LIABLE TO MAKE SIMILAR CHANGES IN MACHINERY, EQUIPMENT OR PARTS PREVIOUSLY SOLD.



Item	Code	Description	QT
01	0511062004	RC2/E 3100 FRAME	01
02	0501043535	DOUBLE DISTRIBUTOR	01
03	0511042525	BOX MULTIPLIER	02
04	0511041381	DRIVE SHAFT	02
05	0503010797	3/4" X 4" BOLT	08
06	0501010216	3/4" X 4-1/2" BOLT	05
07	0501010322	FLAT WASHER	13
08	0503010023	3/4" SPRING WASHER	15
09	0503010014	3/4" NUT	15
10	0501010536	0.4" X 1.7" KEYWAY SQUARE	04
11	0501047948	DRIVE SHAFT	01
12	0501056327		01
12A	0502012275	ROTARY SUPPORT	02
12B	0541013321	ROTARY FIXER SUPPORT PROT	02
12C	0501010098	3/4" X 2" BOLT	02
12D	0503011442	3/4" SPRING WASHER	02
12E	0501053942		02
12F	0531015055	620 FOLLOWER	04
12G	0541014286	FASTERNER ROCADORES	04
12H	0503010063	1" SELF-ALIGNING NUT	04
12I	0503010014	3/4" NUT	02
13	0501056328		01
13A	0501053943		02
14	0501017779	FLAT WASHER	02
15	0503010817	1.1/4" UNF SELF ADJUSTING NUT	02
16	0511062006	DRAWBAR	01
17	0501010171	1" X 3-1/2" BOLT	02
18	0503010012	1" SPRING WASHER	02
19	0501010059	1" NUT HEX	02
20	0521010629	1.1" X 5.1" COUPLING SHAFT	02
21	0501010065	FLAT WASHER	02
22	0503030430	7/16 X 2" PIN LOCK	02
23	0501066445	PIVOT DOUBLE BAR	02

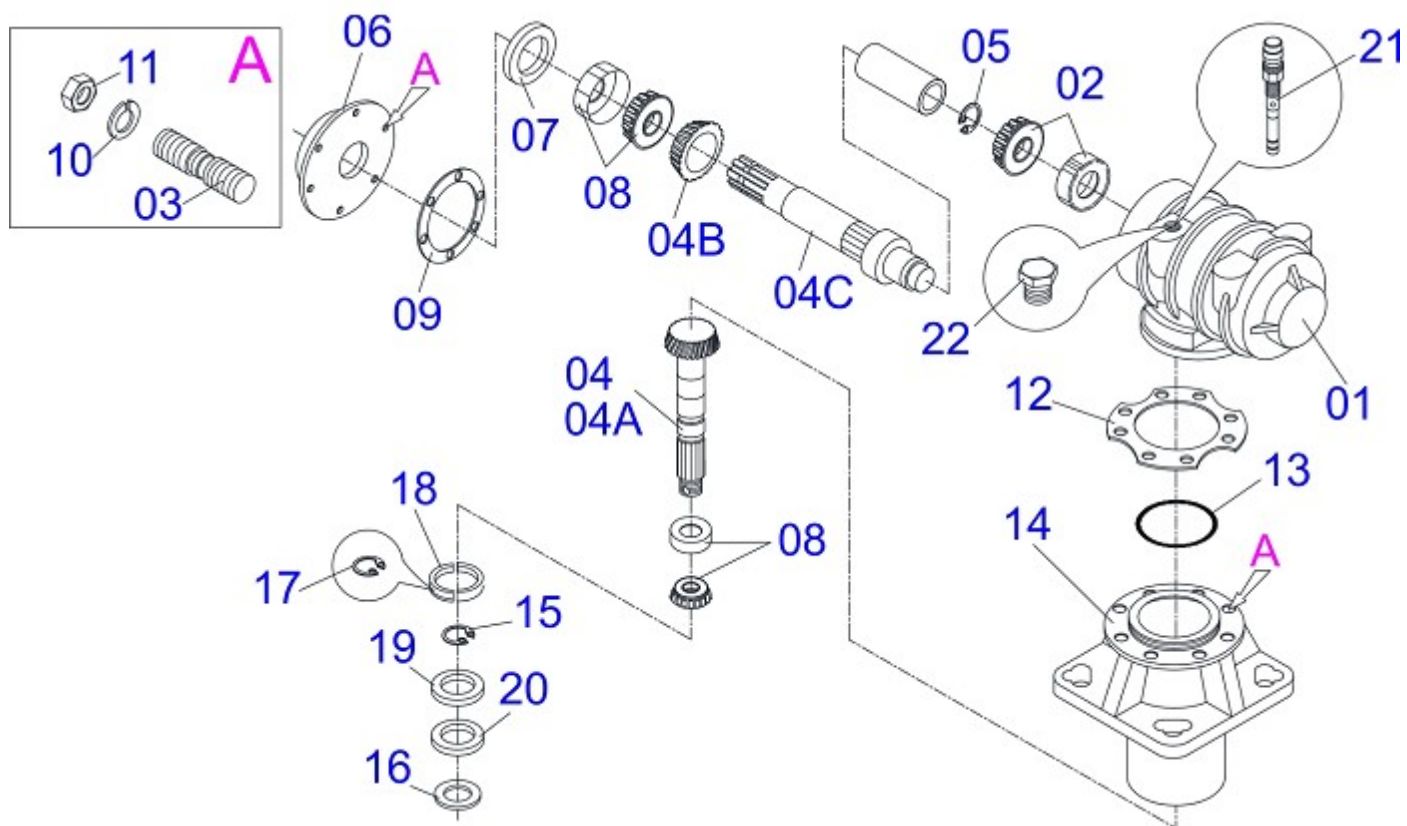


Item	Code	Description	QT
24	0503011198	3/4" X 6" BOLT	01
25	0521010578	0.9" X 4.3" COUPLING SHAFT	01
26	0503031035	HAIR PIN	01
27	0501067540	ATTACHMENT BAR	01
28	0501017305	3/4" X 2-1/4" BOLT	01
29	0531017847	SMALLER COVER PROTECTION	01
30	0531017848	LARGER COVER PROTECTION	01
31	0503012904	3/8" BUTTERFLY BOLT	08
32	0531015218	REAR PROTECTION RC2/E 3100	01
33	0501011600	1/2" X 1-1/4" BOLT	06
34	0511017302	FLAT WASHER	06
35	0503010019	1/2" SPRING WASHER	06
36	0503010020	1/2" NUT	06
37	0511066921	CHAIN PROTECTION	04
38	0503010849	3/8" X 1-1/2" BOLT	08
39	0503010025	3/8" SPRING WHASHER	08
40	0501010984	FLAT WASHER	08
41	0503010026	3/8" NUT	08
42	0511040988	PROTECTION WHEELS FRONT ASSY	02
43	0503011981	17.7" CHAIN WITH HOOK/LINK	01
44	0511044441	CARRYING WHEELS ASSY	02



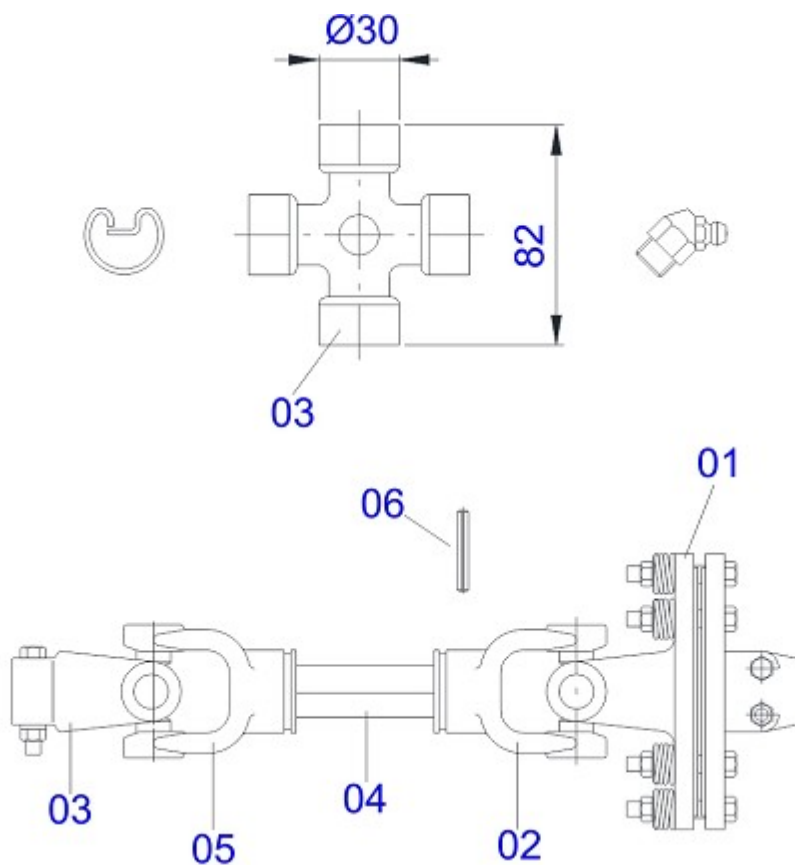
Item	Code	Description	
00	0511041608	DOUBLE DISTRIBUTOR	01
01	0502012178	DOUBLE DISTRIBUTOR BOX	01
02	0503033141	LARGER AXLE	01
03	0503012418	32211 ROLLER BEARING	03
04	0503033142	SMALLER AXLE S-0503 EG-1935	01
05	0503060607	GEAR ASSY FOR DOUBLE DISTRIBUTOR	01
05A	0503033139	RIGHT 15Z CONICAL GEAR	01
05B	0503033140	15Z LEFT CONICAL GEAR	01
06	0503010750	30209 BALL BEARING	01
07	0503012103	5301 -BSEAL	02
08	0503030228	7.1" X 5.3" X 0.008" JOINT	03
09	0502020674	DISTRIBUTOR DOUBLE COVER	01
10	0503010751	3/8" X 1.1/4" HEX BOLT G.5	06
11	0503011443	3/8" SPRING WASHER	09
12	0531019302	LOCK RING	01
13	0503012311	501065 RENO RING	01
14	0503013201	ARCA 6016 BRG SEAL	01
15	0502020160	COVER WITH DOUBLE DISTRIBUTOR	01
16	0503010237	3/8" X 1" HEX BOLT G5	03
17	0521014311	DOBLE DISTRIBUTOR HOLE BODY	01
18	0503010325	VCA-118 VALVE	01
19	0503031604	1/2" BSP PLUG	01
20	0551018078	SPACER WASHER	01



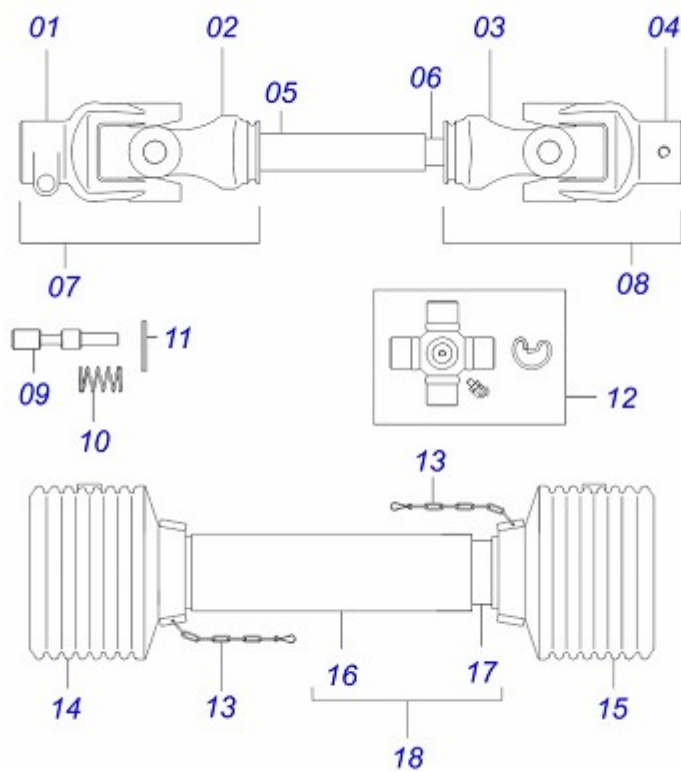


Item	Code	Description	
00	0511042525	BOX MULTIPLIER	00
01	0502012205	BOX MULTIPLIER	01
02	0503010750	30209 BALL BEARING	01
03	0503030084	1/2" X 1/2" X 2.0" PRISONER	14
04	0503061698	CROWN PINION SET 12Z 12Z AXLE LEFT	01
04A	0503031918	18Z CONICAL GEAR	01
04B	0503031917	PINION CONICAL	01
04C	0503032043	UPPER AXLE	01
05	0503014772	501056 CLAMPING RING (FOR AXLE)	01
06	0502012207	COVER MULTIPLIER	01
07	0503012103	5301 -BSEAL	01
08	0503012418	32211 ROLLER BEARING	03
09	0503030783	7.1" X 5.3" X 0.008" JOINT	03
10	0503011440	1/2" SPRING WASHER	14
11	0503010028	1/2" NUT	14
12	0503030785	7.9" X 5.9" X 0.008" JOINT	03
13	0503010286	2-355 N 3006-9B O'RING	01
14	0502012206	LOWER HUB	01
15	0531019302	LOCK RING	01
16	0531018823	FLAT WASHER	01
17	0503012311	501065 RENO RING	01
18	0503011420	502100 CLAMPING RING (FOR AXLE)	02
19	0503013211	6016 BRG SEAL	01
20	0503013201	ARCA 6016 BRG SEAL	01
21	0501110186	OIL SMALLER LEVEL INDICATOR	01
22	0503031604	1/2" BSP PLUG	01

DRIVE SHAFT



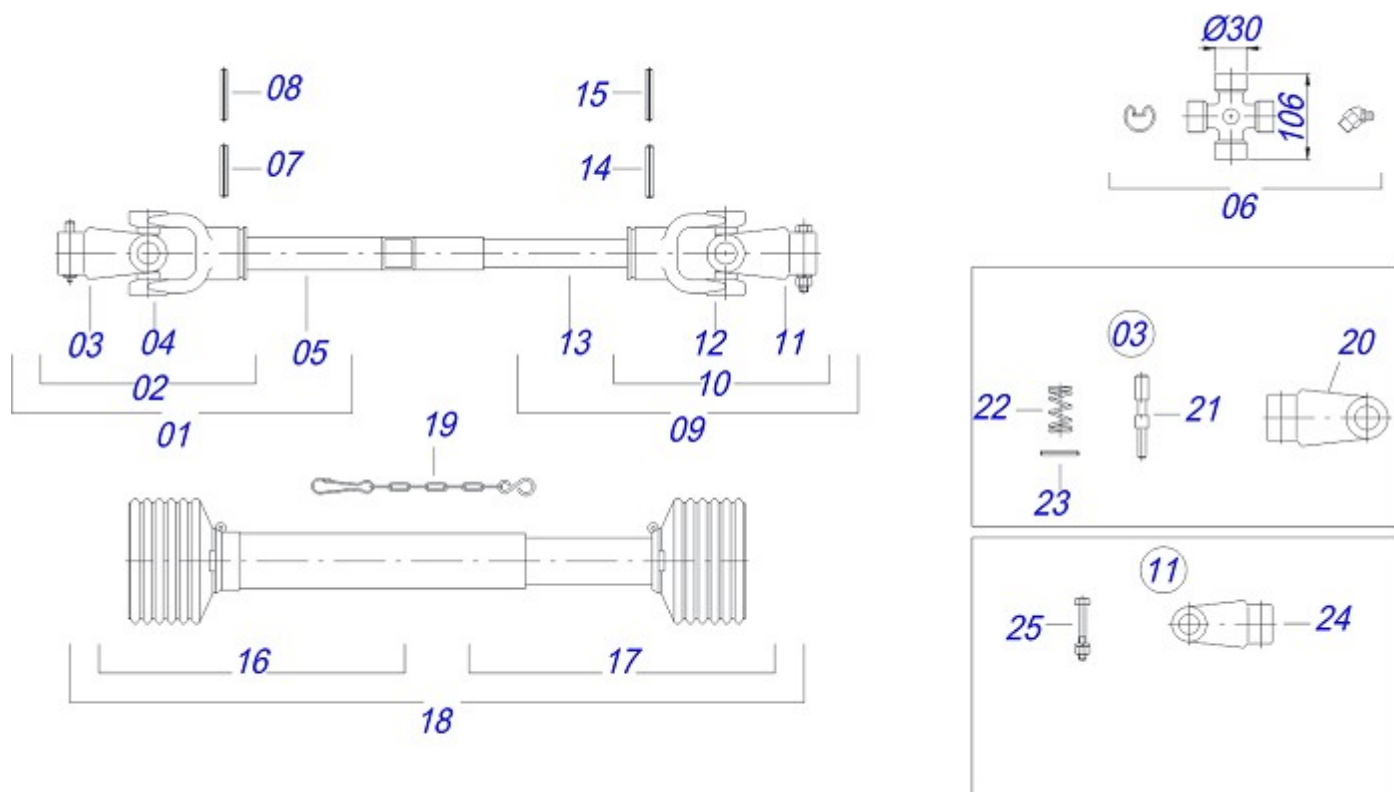
Item	Code	Description	
01	0501047953	90 KGM FRICTION	01
02	0503013130	CC266/F TERMINAL	01
03	0503012096	CROSSPIECE	01
04	0503013133	STRIATED AXLE	01
05	0503013131	CC266 TERMINAL	01
06	0503011877	0.3" X 2.4" ELASTIC PIN	02
07	0503012096	CROSSPIECE	01
08	0503013132	CC292 TERMINAL	01



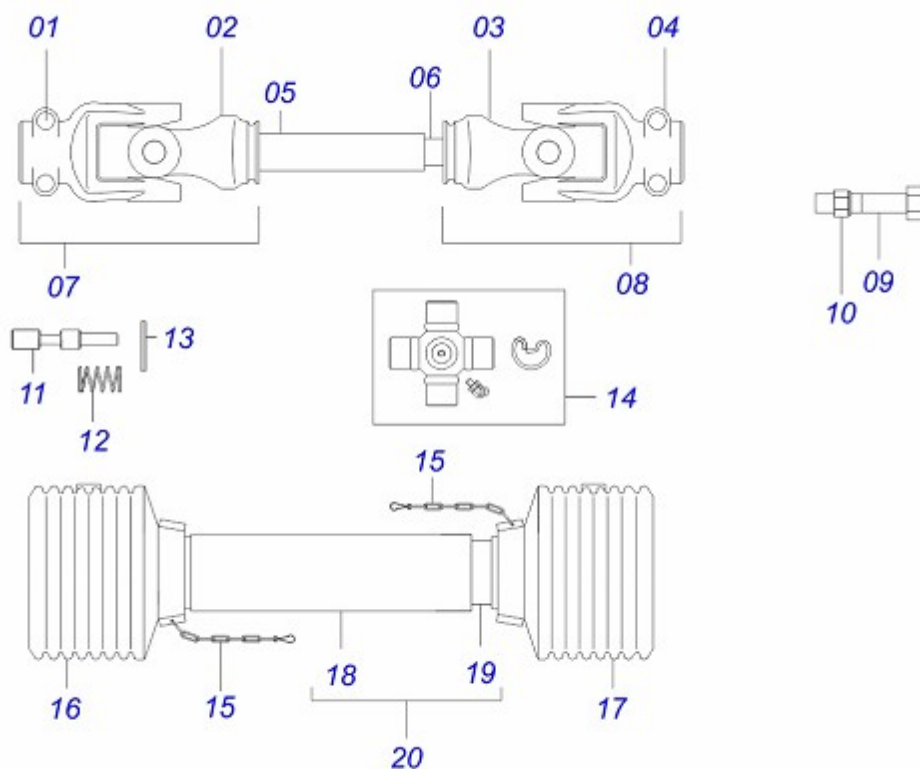
Item	Code	Description	QT
01	0503017647		01
02	0503017648		01
03	0503017649		01
04	0503017658		01
05	0503017642		01
06	0503017643		01
07	0503062344		01
08	0503062345		01
09	0503017626		01
10	0503017627		01
11	0503017628		01
12	0503017644		02
13	0503017631		02
14	0503017632		01
15	0503017633		01
16	0503017677		01
17	0503017678		01
18	0503062352		01



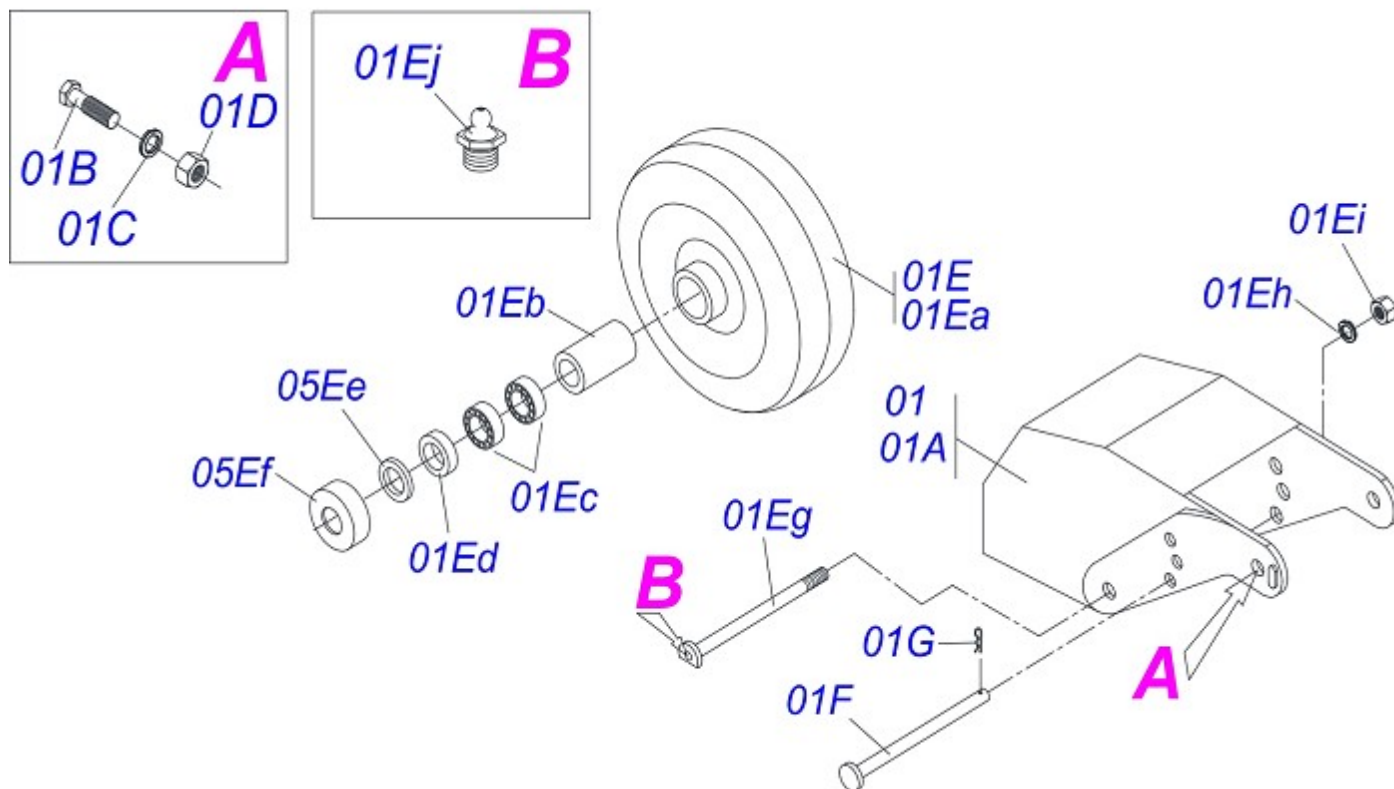
DRIVE SHAFT



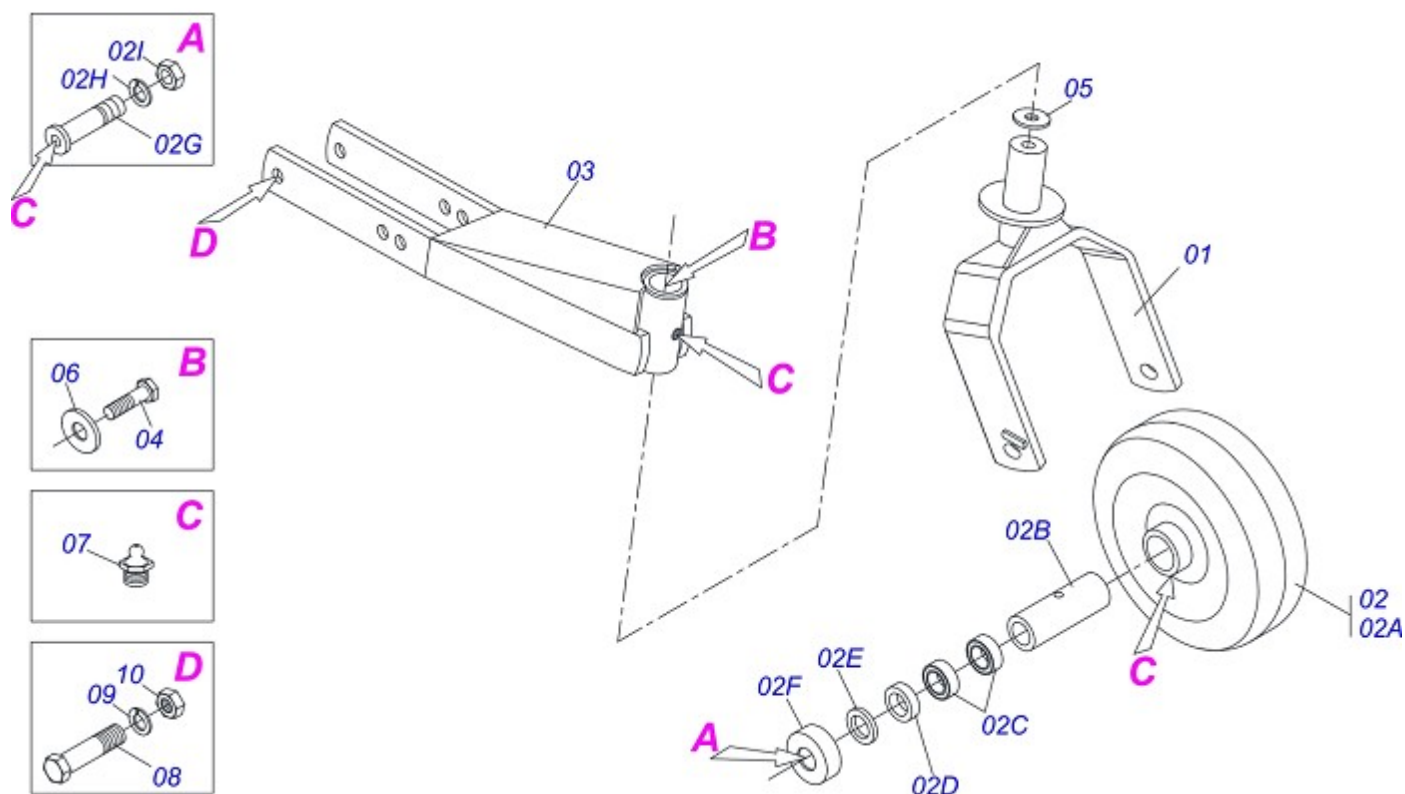
Item	Code	Description	
00	0501051699	UNIVERSAL JOINT WITH SLEEVE/PROT	01
00A	0501051700	UNIVERSAL JOINT WITH AXLE/PROT	01
01	0501051711	UNIVERSAL JOINT WITH SLEEVE	01
02	0501051708	UNIVERSAL JOINT	01
03	0501050334	1-60 TERMINAL WITH QUICK HITCH	01
04	0502011422	2-60 TERMINAL	01
05	0511013025	35" X 1.8" SQUARESLEEVE	01
06	0503010837	CARDAN CROSSPIECE	02
07	0503010843	0.4" X 3.3" ELASTIC PIN	01
08	0503011878	0.2" X 3.3" ELASTIC PIN	01
09	0501051712	UNIVERSAL JOINT WITH SHAFT	01
10	0501051710	UNIVERSAL JOINT	01
11	0501052516	T6-60 TERMINAL WITH SCREW	01
12	0502011424	3-60 TERMINAL	01
13	0511013026	1.4" X 35" SQUARE SHAFT	01
14	0503011069	0.4" X 2.8" ELASTIC PIN	01
15	0503011805	0.2" X 2.8" ELASTIC SPRING PIN	01
16	0503012075	PROTECTION FOR UNIV JOINT AND SLEEV	01
17	0503012076	PROTECTION FOR UNIV JOINT AND AXLE	01
18	0503012074	PROTECTION ASSY	01
19	0503012023	CHAIN FOR UNIV JOINT PROTECTION	02
20	0502010568	1-60 STRIATED 1.3/8" TERMINAL	01
23	0521010638	0.5" X 3.3" QUIC HITCH COUPL SHAFT	01
24	0503030518	0.5"X1.0"X 0.1" COMPRESSION SPRING	01
25	0503010838	0.1" X 0.8" ELASTIC PIN	01
26	0502010830	6-60 STRIATED 1.3/8" TERMINAL	01
27	0501047759	1/2" X 3-1/2" BOLT ASSY	01
27A	0503010752	1/2" X 3.1/2" BOLT	01
27B	0503010019	1/2" SPRING WASHER	01
27C	0503010060	1/2" NUT	01



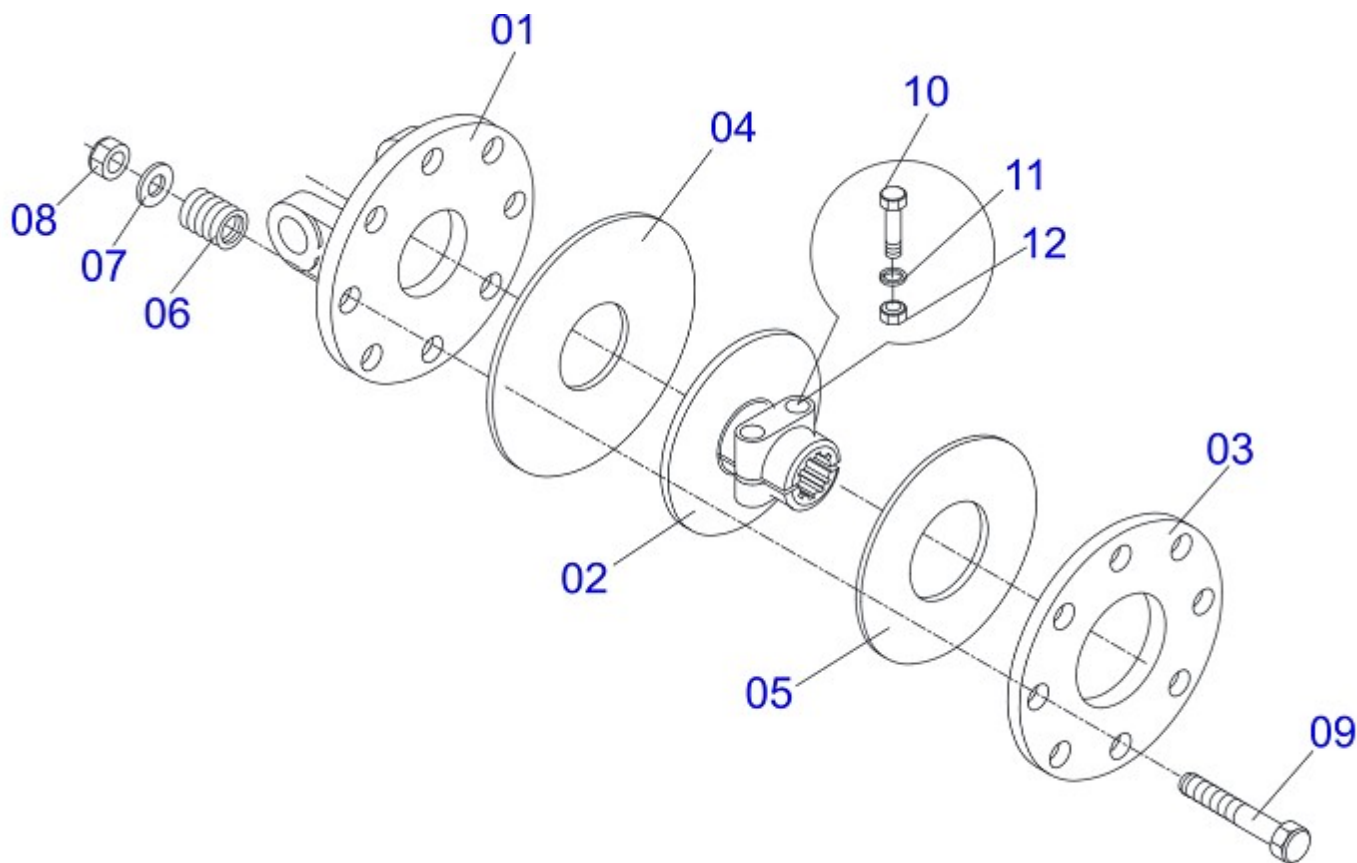
Item	Code	Description	QT
01	0503017647		01
02	0503017672		01
03	0503017673		01
04	0503017674		01
05	0503017687		01
06	0503017685		01
07	0503062347		01
08	0503062348		01
09	0503017645		01
10	0503017646		01
11	0503017626		01
12	0503017627		01
13	0503017628		01
14	0503017667		02
15	0503017631		02
16	0503017680		01
17	0503017681		01
18	0503017682		01
19	0503017683		01
20	0503062354		01



Item	Code	Description	
00	0511040988	PROTECTION WHEELS FRONT ASSY	01
01	0511061700	COVER FRONT WHEEL SUPPORT	01
02	0503012951	3/4" X 10-1/2" BOLT	01
03	0503010023	3/4" SPRING WASHER	02
04	0503010014	3/4" NUT	02
05	0501053885	ARM FRONT WHELL	01
05A	0511063509	14" X 8" WHELL	01
05B	0531014502	0.9" X 1.1" X 6.3" SLEEVE	01
05C	0503010269	6204 BALL BEARING	04
05D	0521010487	SPACER WASHER	02
05E	0503010268	00262-B SEAL	02
05F	0511014254	DOOR HOSE	02
05G	0551011854	REAR CARRYING WHEELS AXLE	01
05H	0503010002	GREASE FITTING	01
06	0531014507	0.6" X 10" COUPLING SHAFT	01
07	0503030168	HAIR PIN	01



Item	Code	Description	
00	0511043146	CARRYING WHEELS ASSY	01
01	0511065664	WHEELS FORK	01
02	0501053885	ARM FRONT WHELL	01
02A	0511063509	14" X 8" WHELL	01
02B	0531014502	0.9" X 1.1" X 6.3" SLEEVE	01
02C	0503010269	6204 BALL BEARING	02
02D	0501014032	BUSHING	02
02E	0503010268	00262-B SEAL	02
02F	0511014254	DOOR HOSE	02
02G	0531014501	REAR WHELL AXLE	01
02H	0503011442	3/4" SPRING WASHER	01
02I	0503010014	3/4" NUT	01
03	0501069375	WHEEL SUPPORT	01
04	0503010962	5/8" X 1-1/4" BOLT	01
05	0511013239	FLAT WASHER	01
06	0511010721	FLAT WASHER	01
07	0503010002	GREASE FITTING	04
08	0503010795	5/8" X 7" BOLT	02
09	0503010027	5/8" SPRING WASHER	02
10	0503010013	5/8" NUT	02



Item	Code	Description	
00	0501047953	90 KGM FRICTION	01
01	0503012095	FRONT FLANGE	01
02	0503011869	CENTRAL FLANGE	01
03	0503011870	REAR FLANGE	01
04	0503031474	INNER FRICTION DISC	01
05	0503031478	OUTER FRICTION DISC	01
06	0503030630	1.02"X1.3"X0.2" COMPRESSION SPRING	08
07	0511017302	FLAT WASHER	08
08	0503011336	1/2" HEX SELF ADJUSTING NUT	08
09	0503010752	1/2" X 3.1/2" BOLT	08
10	0503010741	1/2" X 2-3/4" BOLT	02
11	0503010019	1/2" SPRING WASHER	02
12	0503010060	1/2" NUT	02







**MARCHESAN**

**MARCHESAN IMPLEMENTOS E MÁQUINAS AGRÍCOLAS TATU S.A.**

AV. Marchesan, 1979 - Post office box, 131 - CEP 15994-900 - Matão - SP - Brazil

Phone +55 16.3382-8282

(FAX Parts) + 55 16.3382. 8297 - (Export) + 55 16.3382.1003

e.mail: [tatu@marchesan.com.br](mailto:tatu@marchesan.com.br) [www.marchesan.com.br](http://www.marchesan.com.br)

*Drafting and Illustration = GASPARI  
e.mail = [jgaspari@marchesan.com.br](mailto:jgaspari@marchesan.com.br)*

**ORIGINAL PARTS  
TATU**



**MARCHESAN**