

PARTS CATALOGUE



ROTARY CUTTERS

Code:

0501091348

Product:

RC2E 3100 CL



Series:

S-0705

Revision:

00

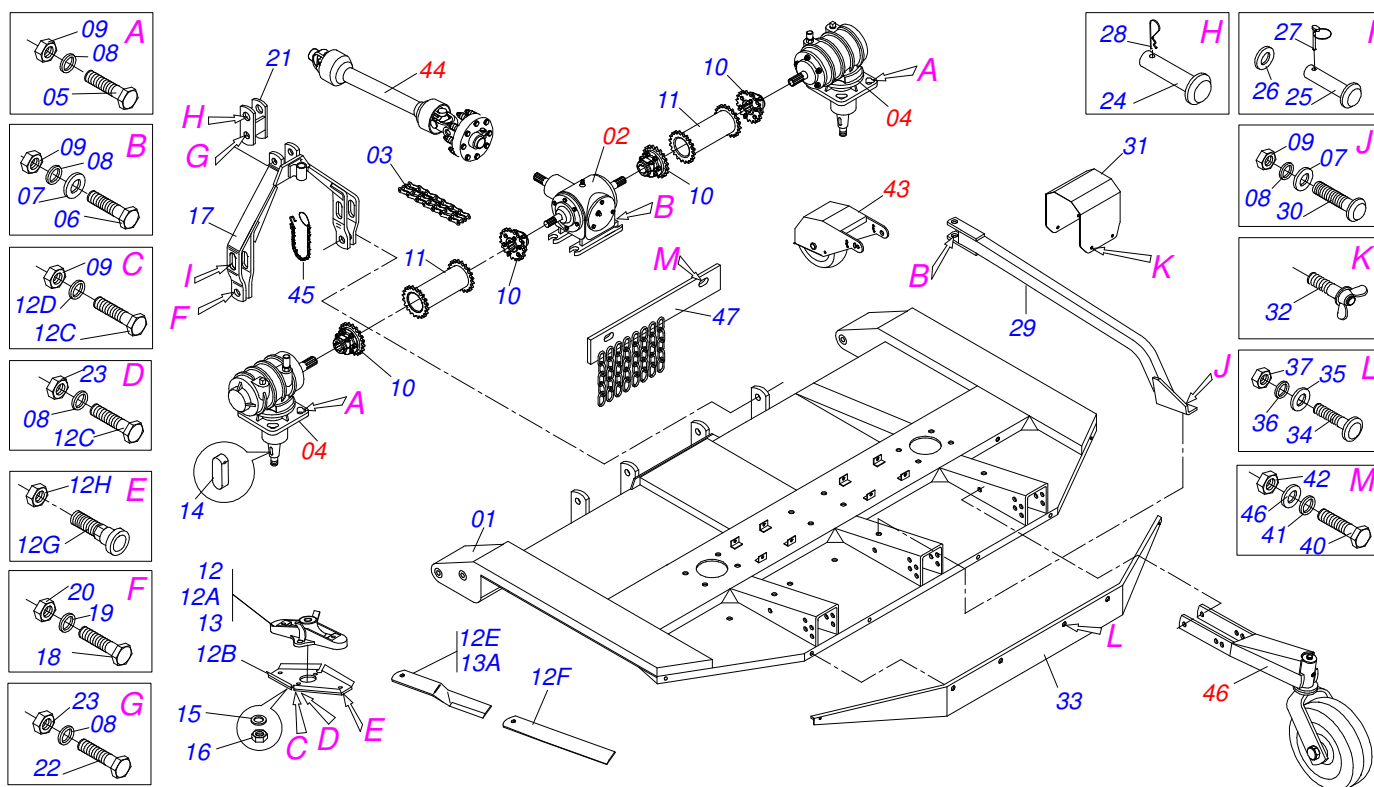
Date Revision:

JULHO/2005



INDEX

0909091357	RC2E 3100 CL RR S-0705	1
0511041608	DOUBLE DISTRIBUTOR	2
0511042159	LH MULTIPLIER	3
0501055987	1.3/4" TERMINAL	4
0511044473	FRONT WHEEL RIGHT WITH ASSY PROTECTION	5
0511044441	CARRYING WHEELS ASSY	6
0511043450	DRIVE SHAFT	7
0909090711	CARDAN 60 X 600 T1/T6 C/P 0501047952 (STU)	8
0501056010	FRICTION CLUTCH	9
0501043642	RUBBER WHEEL ASSY	10



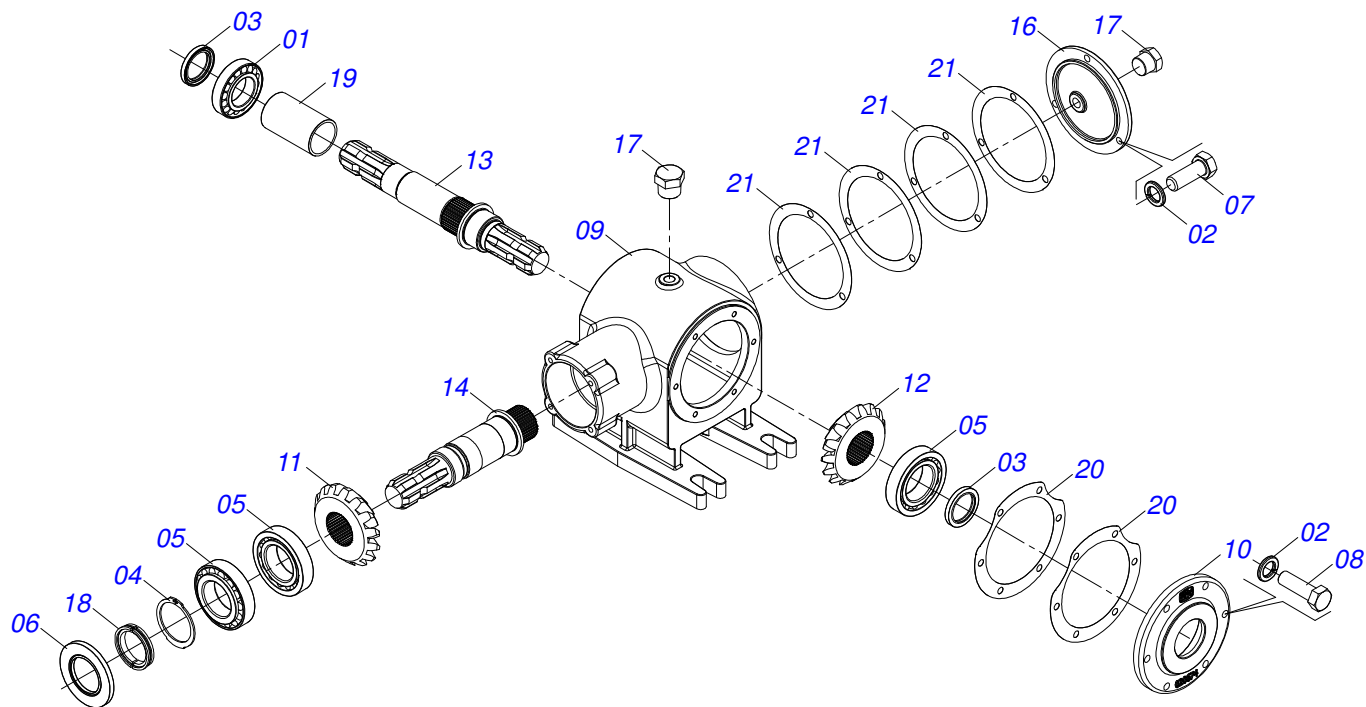
Item	Code	Description	See page	QT
01	0511067150	FRAME		01
02	0511041608	DOUBLE DISTRIBUTOR	2	01
03	0503013471	60-2 X 21 CHAIN LINK + MENDING		01
03A	0503014509	60-2 P.3/4" AMENDMENT		04
04	0511042159	LH MULTIPLIER	3	02
05	0503010797	3/4" X 4" BOLT		08
06	0501010216	3/4" X 4-1/2" BOLT		05
07	0501010322	FLAT WASHER		05
08	0503010023	3/4" SPRING WASHER		17
09	0503010014	3/4" NUT		14
10	0501055987	1.3/4" TERMINAL	4	04
11	0511066369	COUPLING 274,5 (RC2 3100 CL)		02
12	0501055988	SUPPORT ROTARY CUTTER BLADES		01
12A	0502012276	ROTARY SUPPORT		02
12B	0541014579	SUPPORT FIXER KNIVES		04
12C	0501010098	3/4" UNC BOLT		04
12D	0503011442	3/4" SPRING WASHER		02
12E	0622400059	21.6" X 3.94" X 0.5" ROTARY CUTTER		02
12F	0531015105	520 FOLLOWER		04
12G	0541014286	FASTERNER ROCADORES		04
12H	0503010063	1" SELF-ALIGNING NUT		04
13	0501056171	CENTER ROTARY SUPPORT 540		01
13A	0622400062	LH 60 X 100 X 12 ROTARY CUTTER		02
14	0501010536	KEYWAY SQUARE		04
15	0501017779	32 X 60 X 4.75 FLAT WASHER		02
16	0503010817	1.1/4" SELF LOCKING NUT		02
17	0511062006	DRAWBAR		01
18	0501010171	PARAFUSO 1 UNC X 3.1/2 C S G.5		02
19	0503010012	1" SPRING WASHER		02
20	0501010059	1.5/8 NUT		02
21	0501066445	PIVOT DOUBLE BAR		01



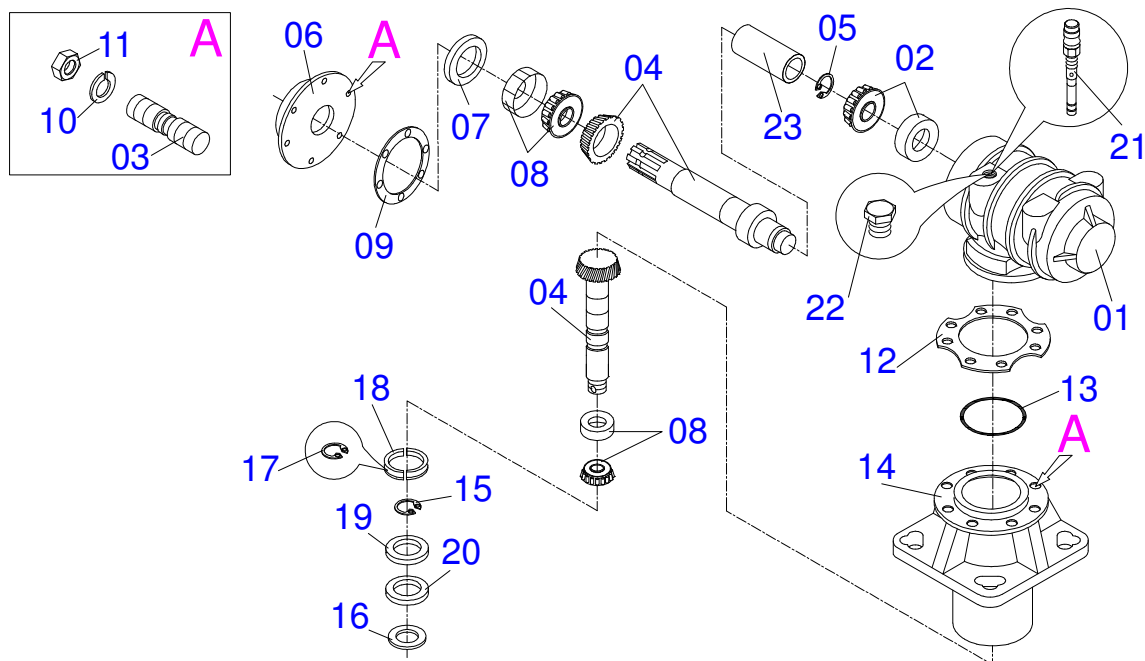
RC2E 3100 CL
RC2E 3100 CL RR S-0705

Page 1
0909091357

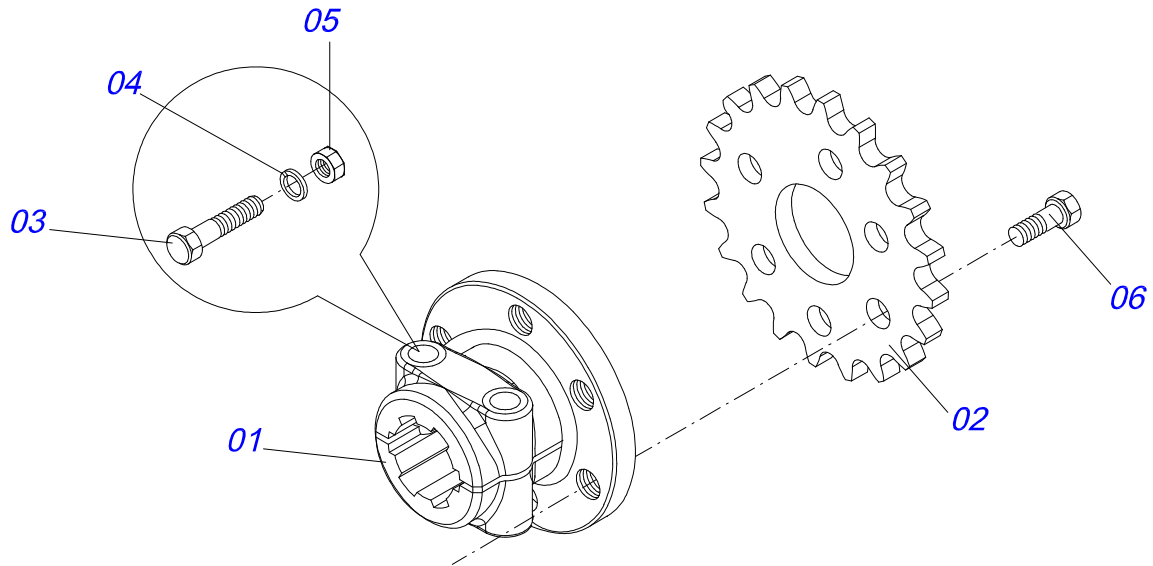
Item	Code	Description	See page	QT
22	0503011198	C3/4" X 6" SCREW		01
23	0503010014	3/4" NUT		05
24	0521010578	COUPLING SHAFT		01
25	0521010629	1.1" X 5.1" COUPLING SHAFT		02
26	0501010065	1" SPRING WASHER		02
27	0503030430	7/16 X 2" PIN LOCK		02
28	0503031035	HAIR PIN		01
29	0501067540	FRENCH HAND		01
30	0501017305	3/4" X 2-1/4" BOLT		01
31	0541015842	PROTECTION COVER		02
32	0503012904	3/8" BUTTERFLY BOLT		08
33	0531015218	REAR PROTECTION RC2/E 3100		01
34	0501011600	1/2" X 1-1/4" BOLT		06
35	0511017302	FLAT WASHER		06
36	0503011440	SPRING WASHER		06
37	0503010020	1/2"NUT		06
38	0511066921	CHAIN PROTECTION		01
39	0501010984	FLAT WASHER		08
40	0503010849	3/8" X 1-1/2" BOLT		05
41	0503010025	3/8" SPRING WASHER		05
42	0503010026	3/8" NUT		05
43	0511044473	FRONT WHEEL RIGHT WITH ASSY PROTECTION	5	02
44	0511043450	DRIVE SHAFT	7	01
45	0503011981	17.7" CHAIN WITH HOOK/LINK		01
46	0511044441	CARRYING WHEELS ASSY	6	03



Item	Code	Description	See page	QT
01	0503010750	30209 BALL BEARING		01
02	0503011443	3/8" SPRING WASHER		09
03	0503012103	5301 -BSEAL		02
04	0503012311	501065 RENO RING		01
05	0503012418	32211 ROLLER BEARING		03
06	0503013201	ARCA 6016 BRG SEAL		01
07	0503810237	3/8 UNC X 1 C S G.5 SA BOLT		03
08	0503810751	3/8 UNC X 1.1/4 C S G.5 - SCREW		06
09	0502012178	DOUBLE DISTRIBUTOR BOX		01
10	0502020674	DISTRIBUTOR DOUBLE COVER		01
11	0503033139	RIGHT 15Z CONICAL GEAR		01
12	0503033140	15Z LEFT CONICAL GEAR		01
13	0503033141	LARGER AXLE		01
14	0503033142	SMALLER AXLE S-0503 EG-1935		01
15	3402301247	MINERAL OIL GREASE		2,0Lts
16	0502020160	COVER WITH DOUBLE DISTRIBUTOR		01
17	0503010856	OIL PLUG		02
18	0531019302	LOCK RING		01
19	0551018078	SLEEVE FLANGE BALL BEARING		01
20	0503030228	7.1" X 5.3" X 0.008" JOINT		02
21	0503030341	6.4" X 0.008" JOINT		04

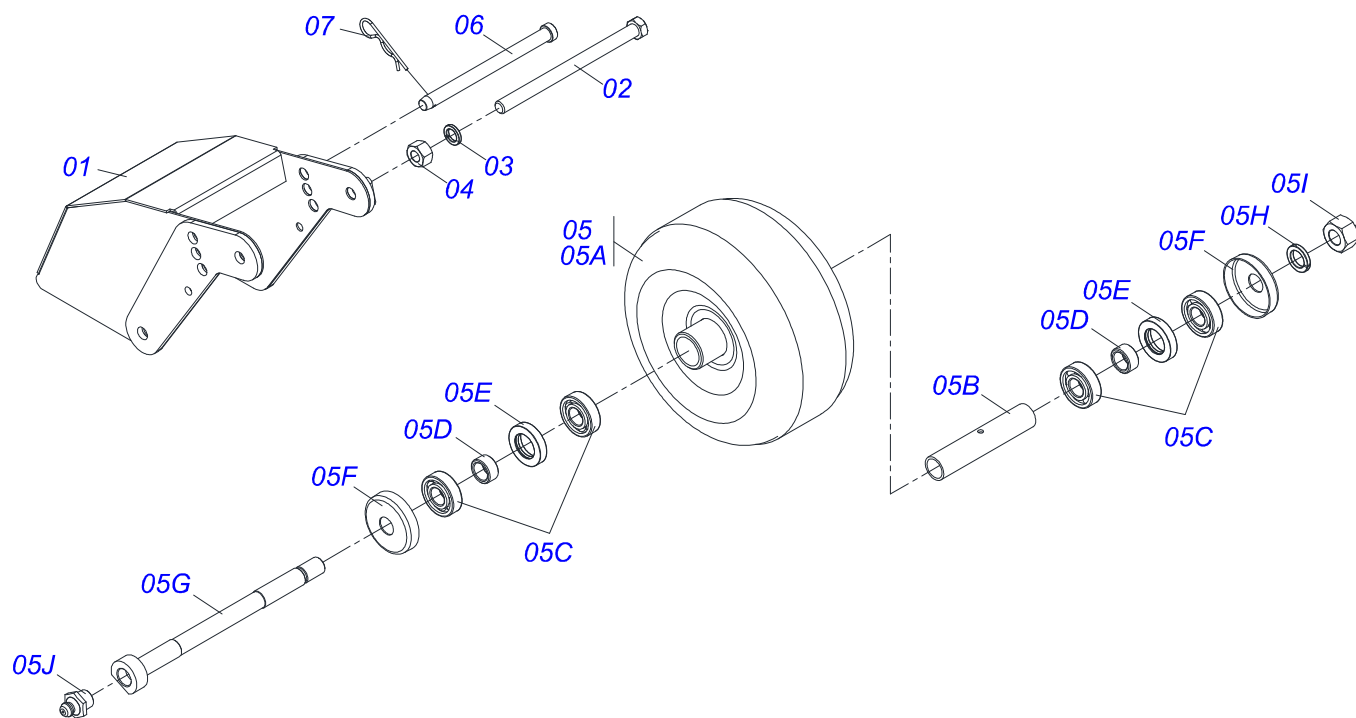


Item	Code	Description	See page	QT
01	0502012205	BOX MULTIPLIER		01
02	0503010750	30209 BALL BEARING		01
03	0503030084	1/2" X 1/2" X 2.0" STUD		14
04	0503060623	CROWN PINION SET		01
05	0503014772	501056 CLAMPING RING (FOR AXLE)		01
06	0502012207	COVER MULTIPLIER		01
07	0503012103	5301 -BSEAL		01
08	0503012418	32211 ROLLER BEARING		01
09	0503030783	7.1" X 5.3" X 0.008" JOINT		03
10	0503011440	SPRING WASHER		14
11	0503010028	1/2" NUT		14
12	0503030785	7.9" X 5.9" X 0.008" JOINT		03
13	0503010286	2-355 N 3006-9B O-RING		01
14	0502012206	LOWER HUB		01
15	0503011420	502100 CLAMPING RING (FOR AXLE)		02
16	0531018823	FLAT WASHER		01
17	0503012311	501065 RENO RING		01
18	0531019302	LOCK RING		01
19	0503013211	6016 BRG SEAL		01
20	0503013201	ARCA 6016 BRG SEAL		01
21	0501110186	OIL SMALLER LEVEL INDICATOR		01
22	0503031604	1/2" BSP PLUG		01
23	0551018056	SLEEVE FLANGE BALL BEARING		01

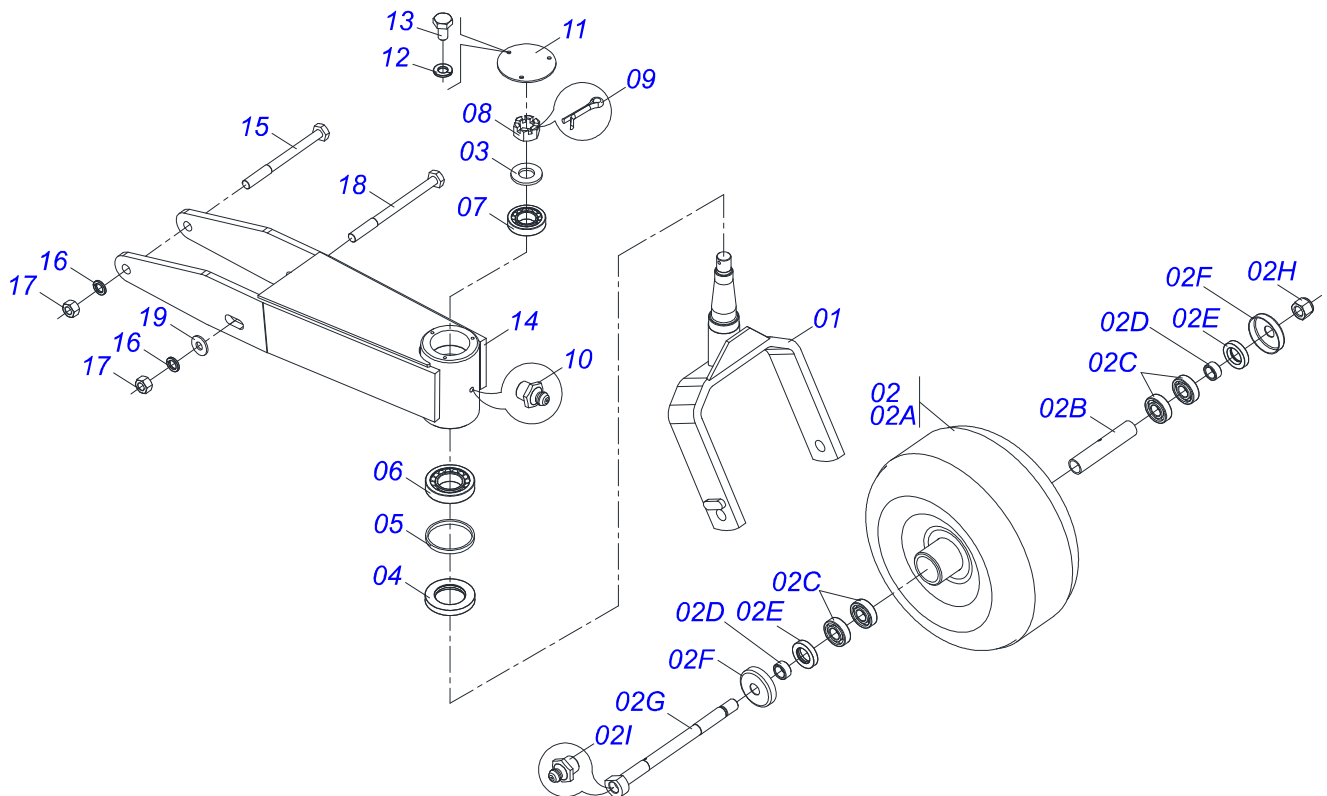


Item	Code	Description	See page	QT
01	0502012316	TERMINAL BODY		01
02	0541015837	W/HOLE 22Z GEAR		01
03	0503010741	1/2" X 2-3/4" BOLT		02
04	0503010019	1/2" SPRING WASHER		02
05	0503010060	1/2" NUT		02
06	0503013232	1/2" BOLT		06

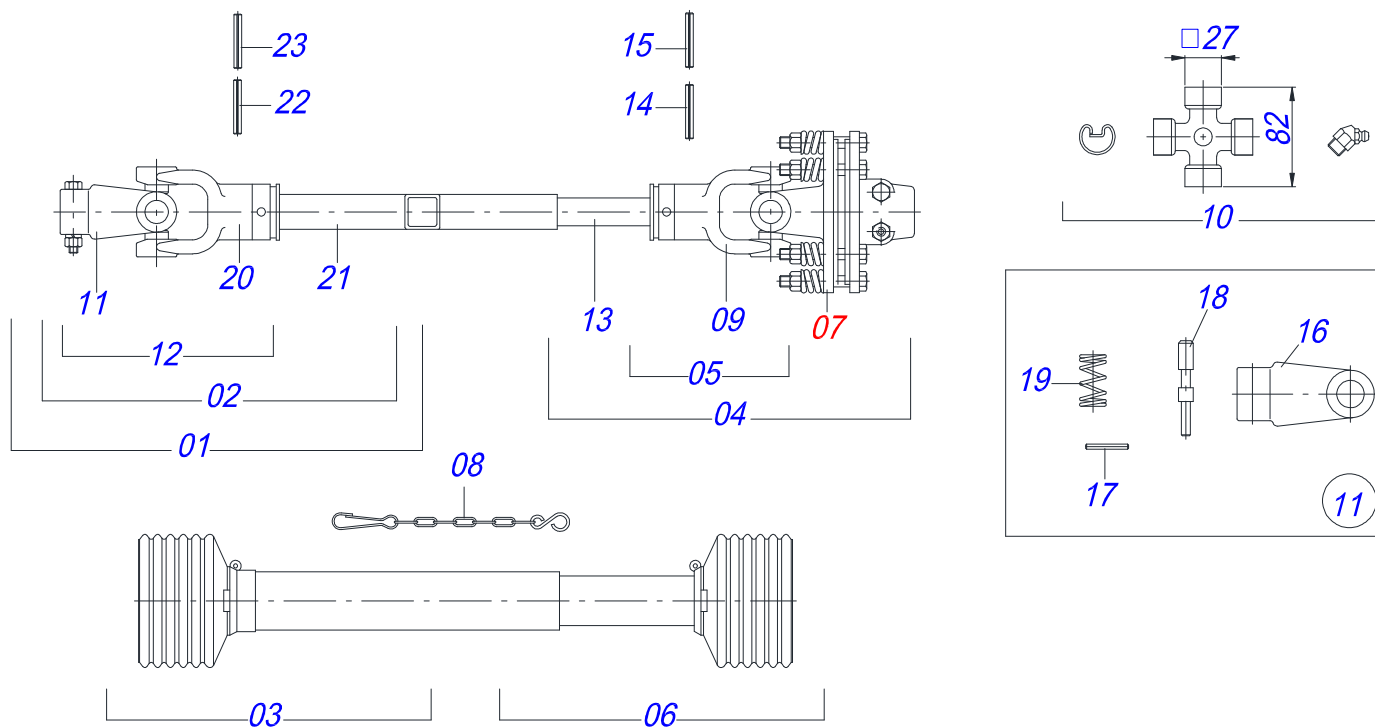
FRONT WHEEL RIGHT WITH ASSY PROTECTION



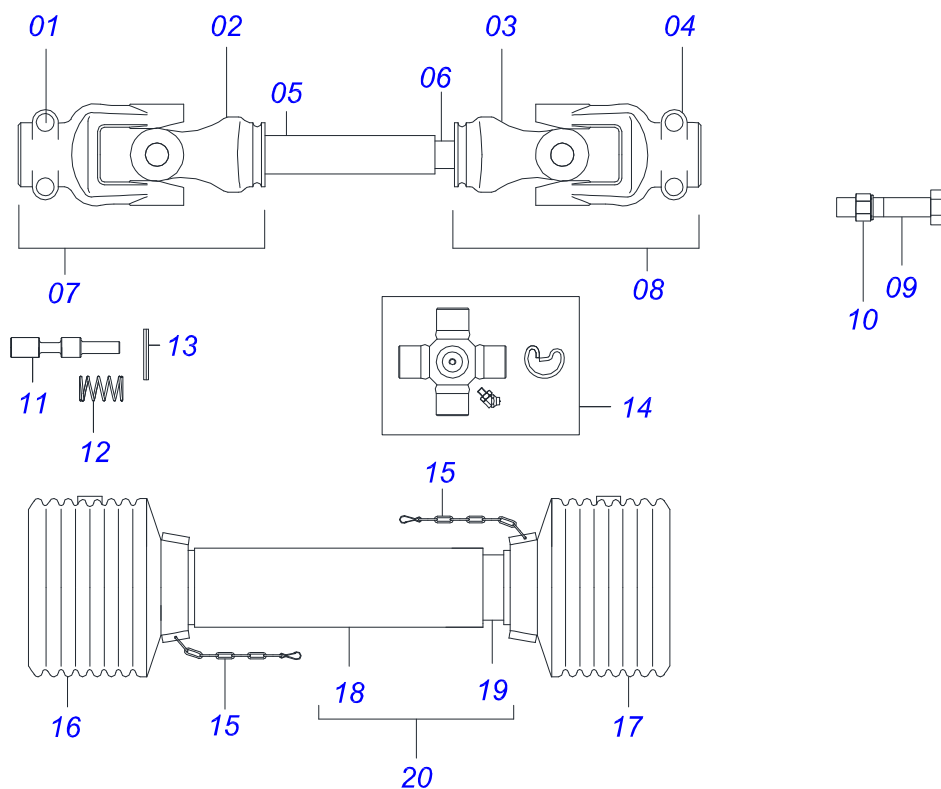
Item	Code	Description	See page	QT
01	0521061648	COVER FRONT WHEEL SUPPORT		01
02	0503012951	3/4" X 10-1/2" BOLT		01
03	0503010023	3/4" SPRING WASHER		01
04	0503010014	3/4" NUT		01
05	0501053885	ARM REAR WHELL		01
05A	0511063509	14" X 8" WHELL		01
05B	0531014502	0.9" X 1.1" X 6.3" SLEEVE		01
05C	0503010269	6204 BALL BEARING		04
05D	0521010487	SPACER WASHER		02
05E	0503010268	00262-B SEAL		02
05F	0511014254	DUST CLOAK		02
05G	0551011854	REAR CARRYING WHEELS AXLE		01
05H	0503011442	3/4" SPRING WASHER		01
05I	0503010014	3/4" NUT		01
05J	0503010002	1800 GREASE FITTING		01
06	0541018559	REAR WHELL CONTROL AXLE		01
07	0503030012	HAIR PIN		01
08	1882970002	GREASE SOAP		01Kg



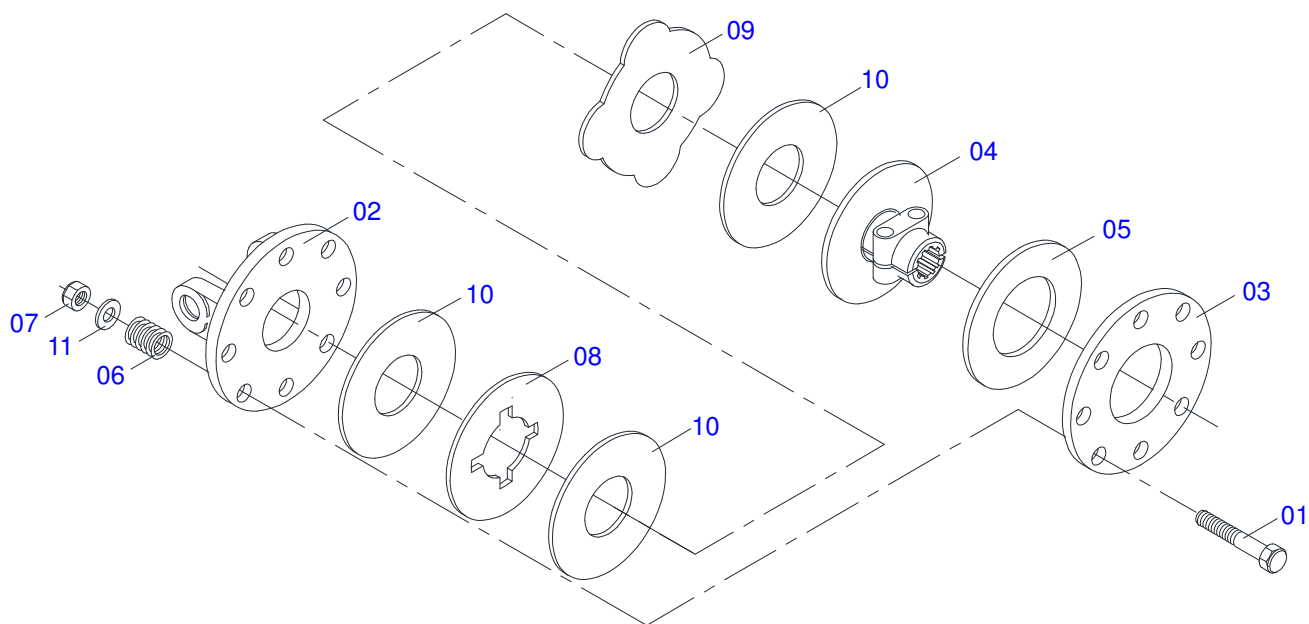
Item	Code	Description	See page	QT
01	0511067159	REAR WHEELS FORK		01
02	0501057218	ARM REAR WHELL		01
02A	0511063509	14" X 8" WHELL		01
02B	0531014502	0.9" X 1.1" X 6.3" SLEEVE		01
02C	0503010269	6204 BALL BEARING		04
02D	0521010487	SPACER WASHER		02
02E	0503010268	00262-B SEAL		02
02F	0511014254	DUST CLOAK		02
02G	0551011854	REAR CARRYING WHEELS AXLE		01
02H	0503011075	3/4" UNC NUT		01
02I	0503010002	1800 GREASE FITTING		01
03	0511015994	FLAT WASHER		01
04	0503010279	SEAL		01
05	0541018986	WASHER		01
06	0503010360	30208 ROLLER BEARING		01
07	0503011290	30206 BALL BEARING		01
08	0503030009	1" CASTLE NUT		01
09	0503010523	1/4" X 2" COTTERPIN		01
10	0503010002	1800 GREASE FITTING		01
11	0541018995	WHEEL BOX COVER		01
12	0503011441	SPRING WASHER		03
13	0503013758	1/4" X 1-1/2" BOLT		03
14	0511067801	REAR WHEEL SUPPORT		01
15	0503010795	5/8" X 7" BOLT		01
16	0503011445	SPRING WASHER		02
17	0503010013	5/8" NUT		02
18	0503012410	5/8" X 7.1/2" BOLT		01
19	0501012140	FLAT WASHER		01



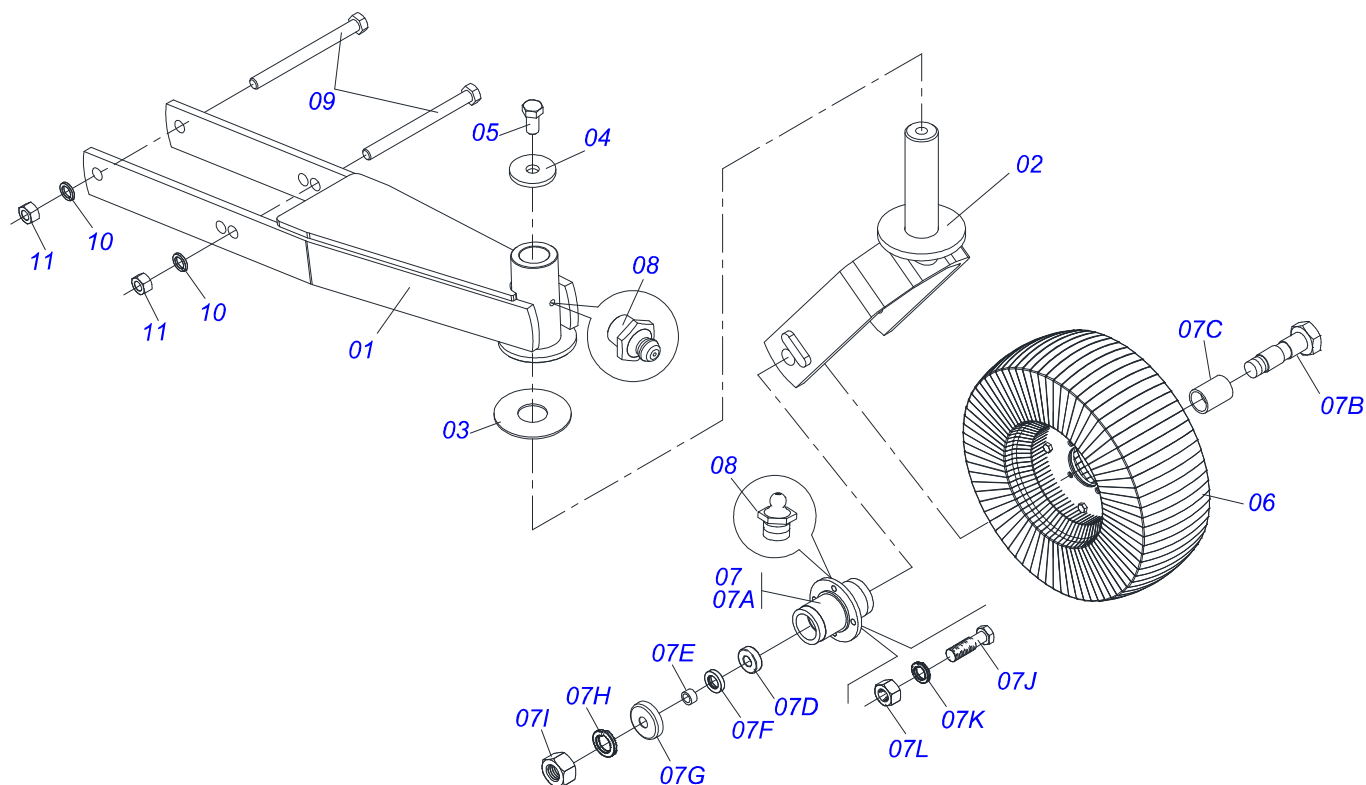
Item	Code	Description	See page	QT
01	0501056228	PROT/SLEEVE UNIVERSAL JOINT		01
02	0501056227	UNIVERSAL JOINT WITH SLEEVE		01
03	0503013619	PROTECTION FOR UNIV JOINT AND SLEEVE		01
04	0501056229	UNIVERSAL JOINT WITH AXLE/PROT		01
05	0501056226	UNIVERSAL JOINT WITH SHAFT		01
06	0503013620	PROTECTION FOR UNIV JOINT AND AXLE		01
07	0501056010	FRICITION CLUTCH	9	01
08	0503012023	CHAIN FOR PROTECTION		02
09	0502010571	3-60 TERMINAL W/ SH 1.43"/1.43"		02
10	0503010837	CARDAN CROSSPIECE		01
11	0501056223	TERM 1-60 C/CANAL CC50		01
12	0501056225	UNIVERSAL JOINT		01
13	0541016743	36,51 X 800 SQUARE SHAFT		01
14	0503011069	0.4" X 2.8" SPRING PIN		01
15	0503011805	0.2" X 2.8" SPRING PIN		01
16	0502011421	1-60 TERMINAL		01
17	0503010838	0.1" X 0.8" SPRING PIN		01
18	0521010638	0.5" X 3.3" QUIC HITCH COUPL SHAFT		01
19	0503030518	0.5"X1.0"X 0.1" COMPRESSION SPRING		01
20	0502010570	2-60 TERMINAL W/ SH 1.8"/1.8"		01
21	0541016742	45,3 X Q37,2 SQUARE SLEEVE		01
22	0503010843	0.4" X 3.3" SPRING PIN		01
23	0503011878	0.2" X 3.3" SPRING PIN		01



Item	Code	Description	See page	QT
01	0503017671	TERMINAL CRAR-353/TR 155000014		01
02	0503017672	TERMINAL		01
03	0503017673	TERMINAL		01
04	0503017674	TERMINAL		01
05	0503017669	TUBE 600 X 45		01
06	0503017670	BAR 600 X 37		01
07	0503062347	UNIVERSAL JOINT		01
08	0503062348	UNIVERSAL JOINT		01
09	0503017645	HEXAGON BOLT		01
10	0503017646	NUT		01
11	0503017626	COUPLING SHAFT		01
12	0503017627	HITCH SPRING		01
13	0503017628	COTTERPIN		01
14	0503017667	CROSS & BEARING		02
15	0503012023	CHAIN FOR PROTECTION		01
16	0503017663	SANFONA		01
17	0503017664	SANFONA		01
18	0503017665	TUBE		01
19	0503017666	TUBE		01
20	0503062343	ASSY PROTECTION		01



Item	Code	Description	See page	QT
01	0503013564	FRICTION BOLT		08
02	0503013554	FLANGE		01
03	0503013557	COUPLING DISC		01
04	0503013556	CENTRAL CORE		01
05	0503013555	FRICTION DISC		01
06	0503013558	FRICTION SPRING		08
07	0503013559	FRICTION NUT		08
08	0503013561	NOTCHED DISC		01
09	0503013560	INTERMEDIATE DISC		01
10	0503013562	FRICTION DISC		03
11	0503013563	FRICTION WASHER		08



Item	Code	Description	See page	QT
01	0501069375	WHEEL SUPPORT		01
02	0501065266	WHELL FORK		01
03	0511013239	FLAT WASHER		01
04	0511010721	FLAT WASHER		01
05	0503010962	5/8" X 1-1/4" BOLT		01
06	0501050433	TIRE WHELL		01
07	0501051587	WHEELS BOX ASSY		01
07A	0502011286	WHEELS BOX ASSY		01
07B	0501017143	WHEEL AXLE		01
07C	0521010460	0.9" X 1.1" X 2.9" SLEEVE		01
07D	0503010269	6204 BALL BEARING		02
07E	0521010487	SPACER WASHER		02
07F	0503010268	00262-B SEAL		02
07G	0511014254	DUST CLOAK		01
07H	0503010023	3/4" SPRING WASHER		01
07I	0503010014	3/4" NUT		04
07J	0501010080	3/8" BOLT		04
07K	0503010025	3/8" SPRING WASHER		04
07L	0503010026	3/8" NUT		02
08	0503010002	1800 GREASE FITTING		01
09	0503010795	5/8" X 7" BOLT		02
10	0503010027	5/8" SPRING WASHER		02
11	0503010013	5/8" NUT		02



www.marchesan.com.br



Technical Publications | Elaboration and Revision
LUIZ CANDIDO