

# PARTS CATALOGUE



## ROTARY CUTTERS

**Code:**

0501091347

**Product:**

RC2E 3100 CL



**Series:**

S-0713

**Revision:**

00

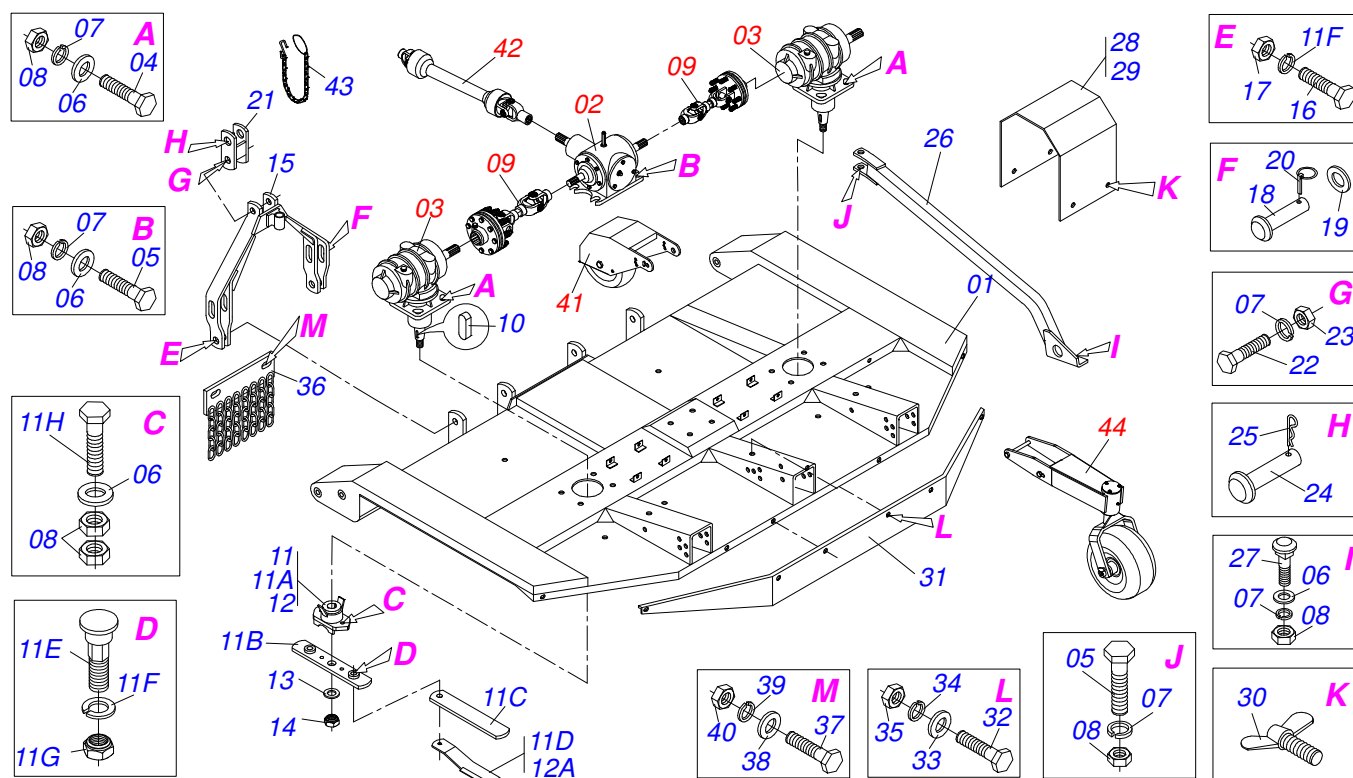
**Date Revision:**

JULHO/2013



# INDEX

0909093101	RC2E 3100 CUTRALE FRAME	.....	1
0501043535	DOUBLE DISTRIBUTOR	.....	2
0511042525	LEFT MULTIPLICATOR	.....	3
0909090713	CARDAN 40 X 400 T1/T9 C/P 0501048241 ( STU )	.....	4
0501047953	90 KGM FRICTION	.....	5
0511040988	PROTECTION WHEELS REAR ASSY	.....	6
0501047948	DRIVE SHAFT	.....	7
0909090712	CARDAN 60 X 900 T1/T6 C/P 0501047948 ( STU )	.....	8
0511044441	CARRYING WHEELS ASSY	.....	9

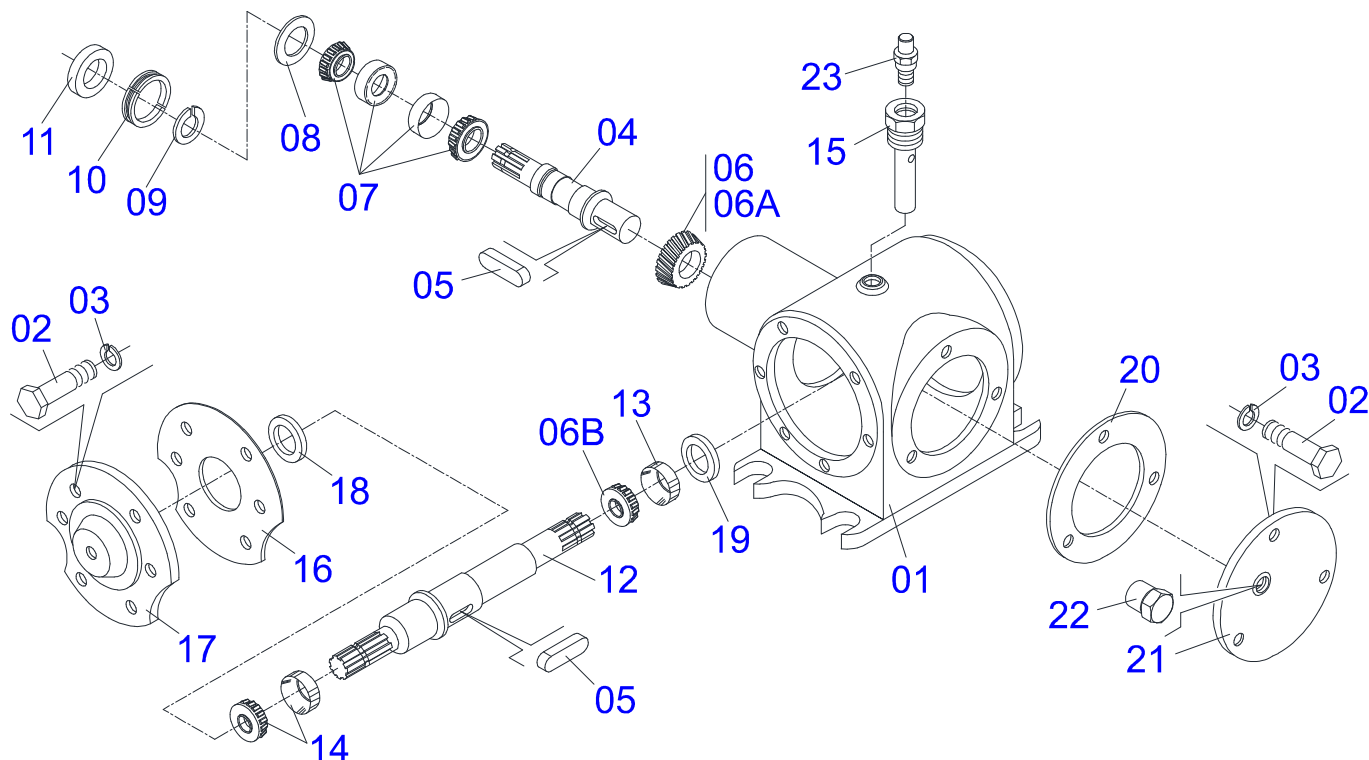


Item	Code	Description	See page	QT
01	0511062004	RC2/E 3100 FRAME		01
02	0501043535	DOUBLE DISTRIBUTOR	2	01
03	0511042525	LEFT MULTIPLICATOR	3	02
04	0503010797	3/4" X 4" BOLT		08
05	0501010216	3/4" X 4-1/2" BOLT		05
06	0501010322	FLAT WASHER		17
07	0503010023	3/4" SPRING WASHER		15
08	0503010014	3/4" NUT		22
09	0511041381	DRIVE SHAFT		02
10	0501010536	KEYWAY SQUARE		04
11	0501057590	MODIFICATION KIT		01
11A	0502012453	SUPPORT FLANGE		02
11B	0511069195	ROTARY CUTTER FIXER		02
11C	0531015055	620 FOLLOWER		04
11D	0622400055	RH 24"X4"X0,5" ROTARY CUTTER BLADES		02
11E	0541014286	FASTENER ROCADORES		04
11F	0503010012	1" SPRING WASHER		06
11G	0503010063	1" SELF-ALIGNING NUT		04
11H	0503010901	3/4UNC 3.1/2 BOLT		04
12	0501057592	KIT MODIFICATION		01
12A	0622400056	24"X4"X0,5" LEFT ROTARY CUT BLADES		02
13	0501017779	32 X 60 X 4.75 FLAT WASHER		02
14	0503010817	1.1/4" SELF LOCKING NUT		02
15	0511062006	DRAWBAR		01
16	0501010171	PARAFUSO 1 UNC X 3.1/2 C S G.5		02
17	0501010059	1.5/8 NUT		02
18	0521010629	1.1" X 5.1" COUPLING SHAFT		02
19	0501010065	1" SPRING WASHER		02
20	0503030430	7/16 X 2" PIN LOCK		02
21	0501066445	PIVOT DOUBLE BAR		02
22	0503011198	C3/4" X 6" SCREW		01

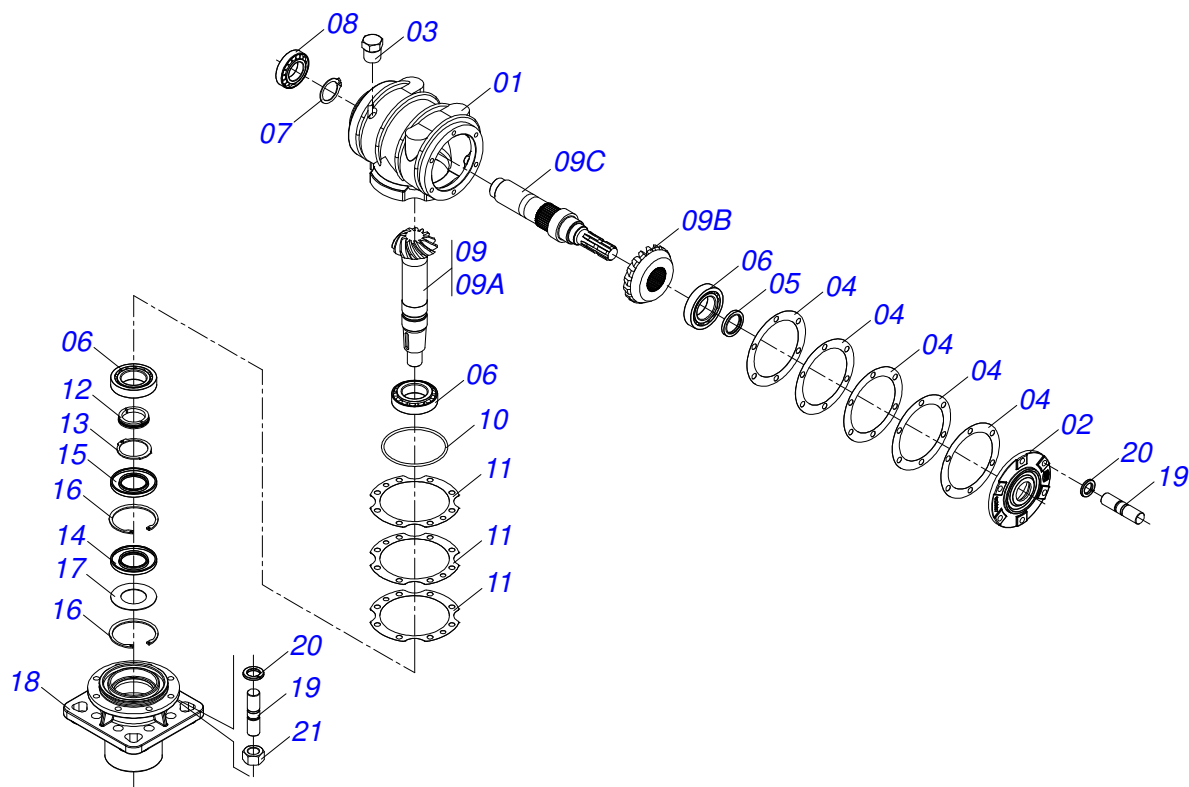


RC2E 3100 CL  
RC2E 3100 CUTRALE FRAME

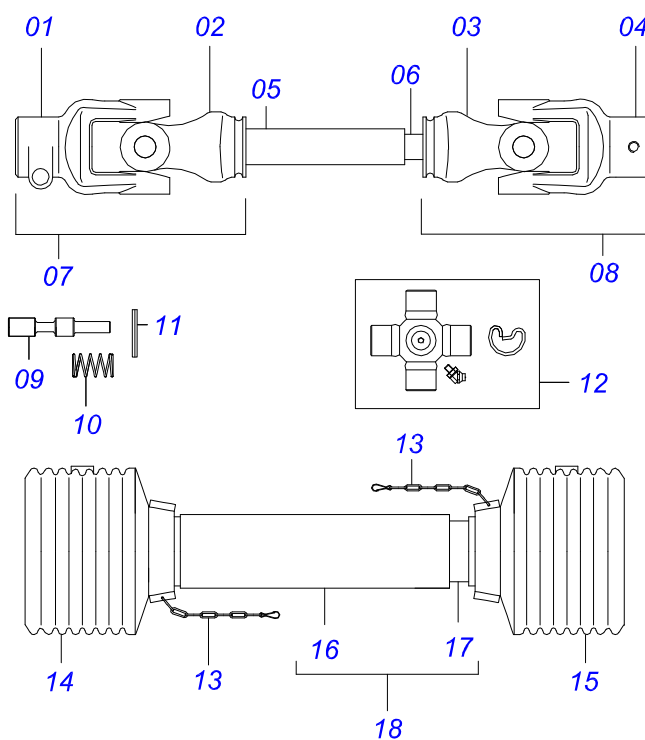
Item	Code	Description	See page	QT
23	0503010014	3/4" NUT		01
24	0521010578	COUPLING SHAFT		01
25	0503031035	HAIR PIN		01
26	0501067540	FRENCH HAND		01
27	0501017305	3/4" X 2-1/4" BOLT		01
28	0531017847	SMALLER COVER PROTECTION		01
29	0531017848	LARGER COVER PROTECTION		01
30	0503012904	3/8" BUTTERFLY BOLT		08
31	0531015218	REAR PROTECTION RC2/E 3100		01
32	0501011600	1/2" X 1-1/4" BOLT		06
33	0511017302	FLAT WASHER		06
34	0503010019	1/2" SPRING WASHER		06
35	0503010020	1/2"NUT		06
36	0511066921	CHAIN PROTECTION		04
37	0503010849	3/8" X 1-1/2" BOLT		08
38	0501010984	FLAT WASHER		08
39	0503010025	3/8" SPRING WASHER		08
40	0503010026	3/8" NUT		08
41	0511040988	PROTECTION WHEELS REAR ASSY	6	02
42	0501047948	DRIVE SHAFT	7	01
43	0503011981	17.7" CHAIN WITH HOOK/LINK		01
44	0511044441	CARRYING WHEELS ASSY	9	02



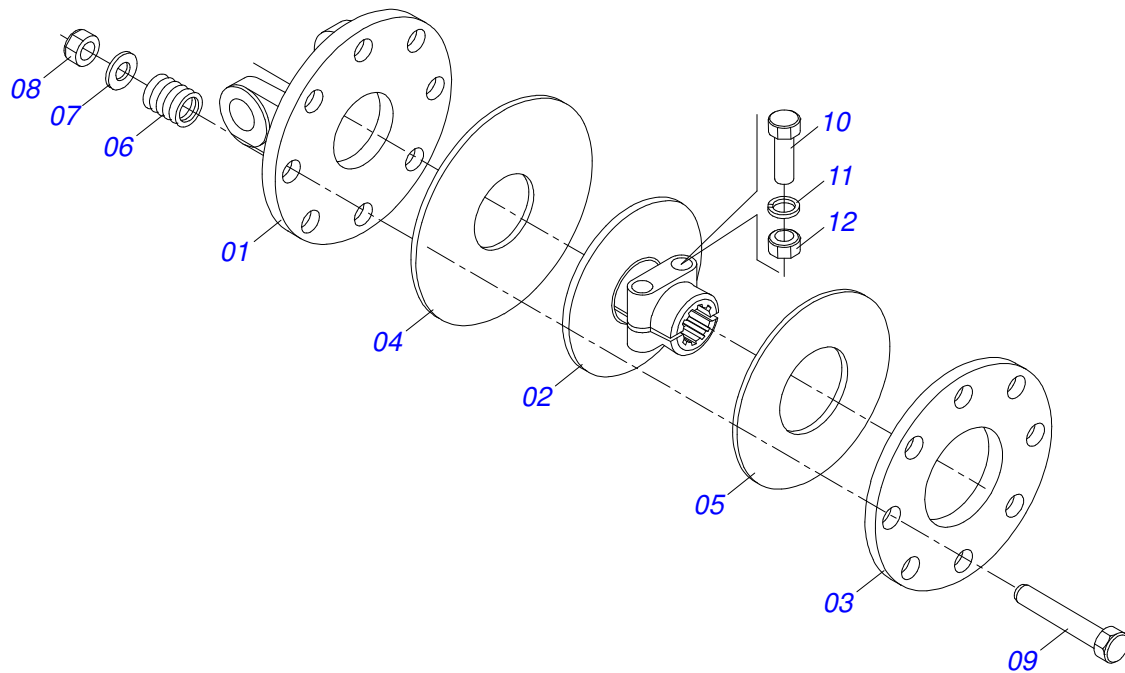
Item	Code	Description	See page
01	0502010801	HOUSING OF THE DISTRIBUTOR DOUBLE	01
02	0503010751	C3/8" X 1.1/4" HEX BOLT G.5	09
03	0503011443	3/8" SPRING WASHER	09
04	0503030111	SMALLER AXLE	01
05	0501012993	0.4" X 1.1"KEYWAY SQUARE	04
06	0503060249	CONICAL GEAR SET FOR DOUBLE DISTRIBUTOR	01
06A	0503030113	15Z RIGHT CONICAL GEAR	01
06B	0503031811	15Z LEFT CONICAL GEAR	01
07	0503010102	25577/25523 ROLLER BEARING	02
08	0501010237	FLAT WASHER	01
09	0503010210	LOCK WASHER	01
10	0503010211	KM- 8 LOCKNUT	01
11	0503010079	5042 SEAL	01
12	0511010103	LARGER AXLE	01
13	0503010312	6207 BALL BEARING	01
14	0503010031	368A/362A ROLLER BEARING	01
15	0521014311	DOBLE DISTRIBUTOR HOLE BODY	01
16	0503030228	7.1" X 5.3" X 0.008" JOINT	02
17	0502020250	FRONT COVER	01
18	0503010082	00274-BG SEAL	01
19	0503010079	5042 SEAL	01
20	0503030341	6.4" X 0.008" JOINT	04
21	0502020160	COVER WITH DOUBLE DISTRIBUTOR	01
22	0503031604	1/2" BSP PLUG	01
23	0503010325	VCA-118 VALVE	01



Item	Code	Description	See page	QT
01	0502012205	BOX MULTIPLIER		01
02	0502012207	COVER MULTIPLIER		01
03	0503031604	1/2" BSP PLUG		01
04	0503030783	7.1" X 5.3" X 0.008" JOINT		05
05	0503012103	5301 -BSEAL		01
06	0503012418	32211 ROLLER BEARING		03
07	0503014772	501056 CLAMPING RING (FOR AXLE)		01
08	0503010750	30209 BALL BEARING		01
09	0503061698	CROWN PINION SET 12Z 12Z AXLE LEFT		01
09A	0503031917	12Z LOWER CONICAL GEAR		01
09B	0503031918	18Z CONICAL GEAR		01
09C	0503032043	UPPER AXLE		01
10	0503010286	2-355 N 3006-9B O'RING		01
11	0503030785	7.9" X 5.9" X 0.008" JOINT		03
12	0531019302	LOCK RING		01
13	0503012311	501065 RENO RING		01
14	0503013201	ARCA 6016 BRG SEAL		01
15	0503013211	6016 BRG SEAL		01
16	0503011420	502100 CLAMPING RING (FOR AXLE)		02
17	0531018823	FLAT WASHER		01
18	0502012206	LOWER HUB		01
19	0503030084	1/2" X 1/2" X 2.0" STUD		14
20	0503011440	SPRING WASHER		14
21	0503010028	1/2" NUT		14
22	3402301247	MINERAL OIL GREASE		03

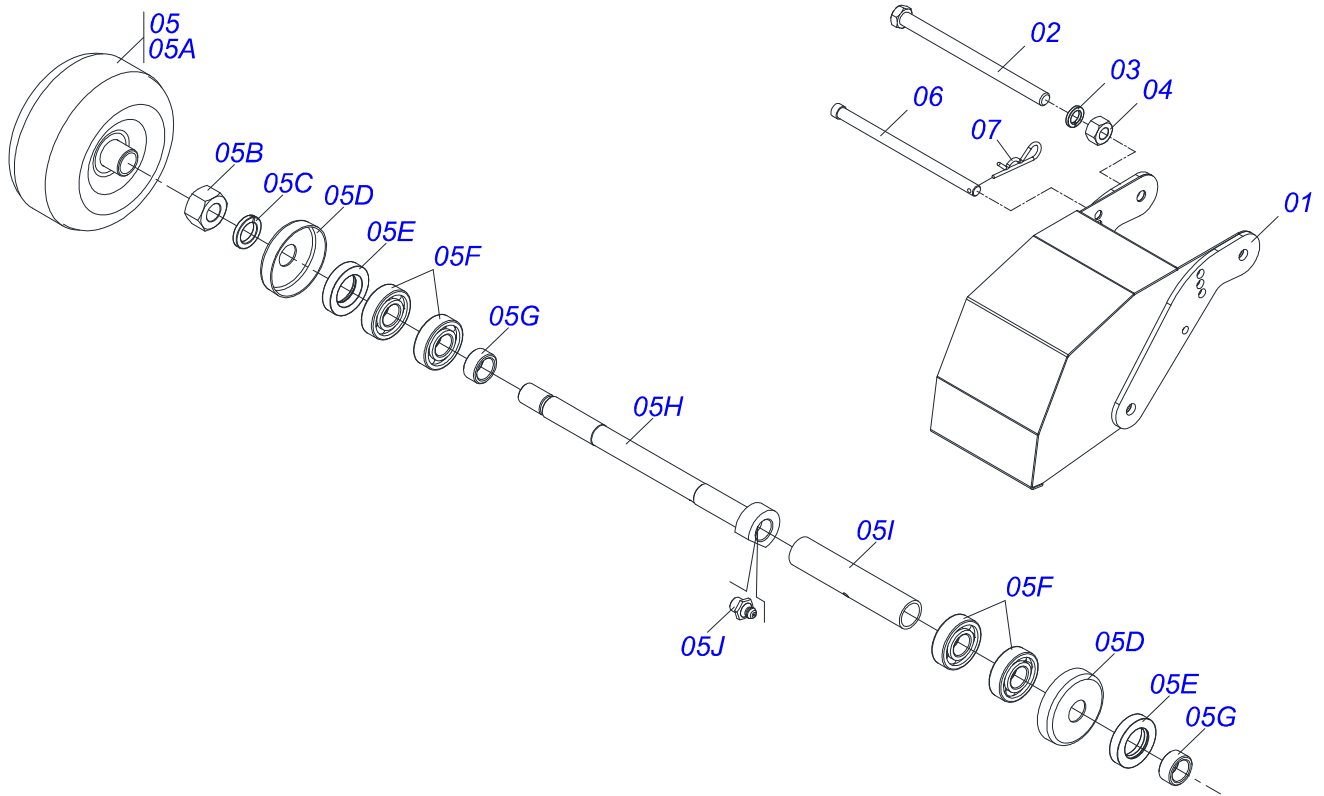


Item	Code	Description	See page	QT
01	0503017647	TERMINAL		01
02	0503017648	TERMINAL		01
03	0503017649	TERMINAL		01
04	0503017658	TERMINAL		01
05	0503017642	TUBE 400 X 37		01
06	0503017643	BAR 400 X 30		01
07	0503062344	JOINT UNI CRA-353/TR X K37		01
08	0503062345	JOINT UNI CRA-301/1 X K30		01
09	0503017626	COUPLING SHAFT		01
10	0503017627	HITCH SPRING		01
11	0503017628	COTTERPIN		01
12	0503017644	CROSSPIECE		02
13	0503017631	CHAIN ASSY		02
14	0503017632	COVER		01
15	0503017633	COVER		01
16	0503017677	PLASTIC TUBE		01
17	0503017678	PLASTIC TUBE		01
18	0503062352	COMPLETE PROTECTION		01

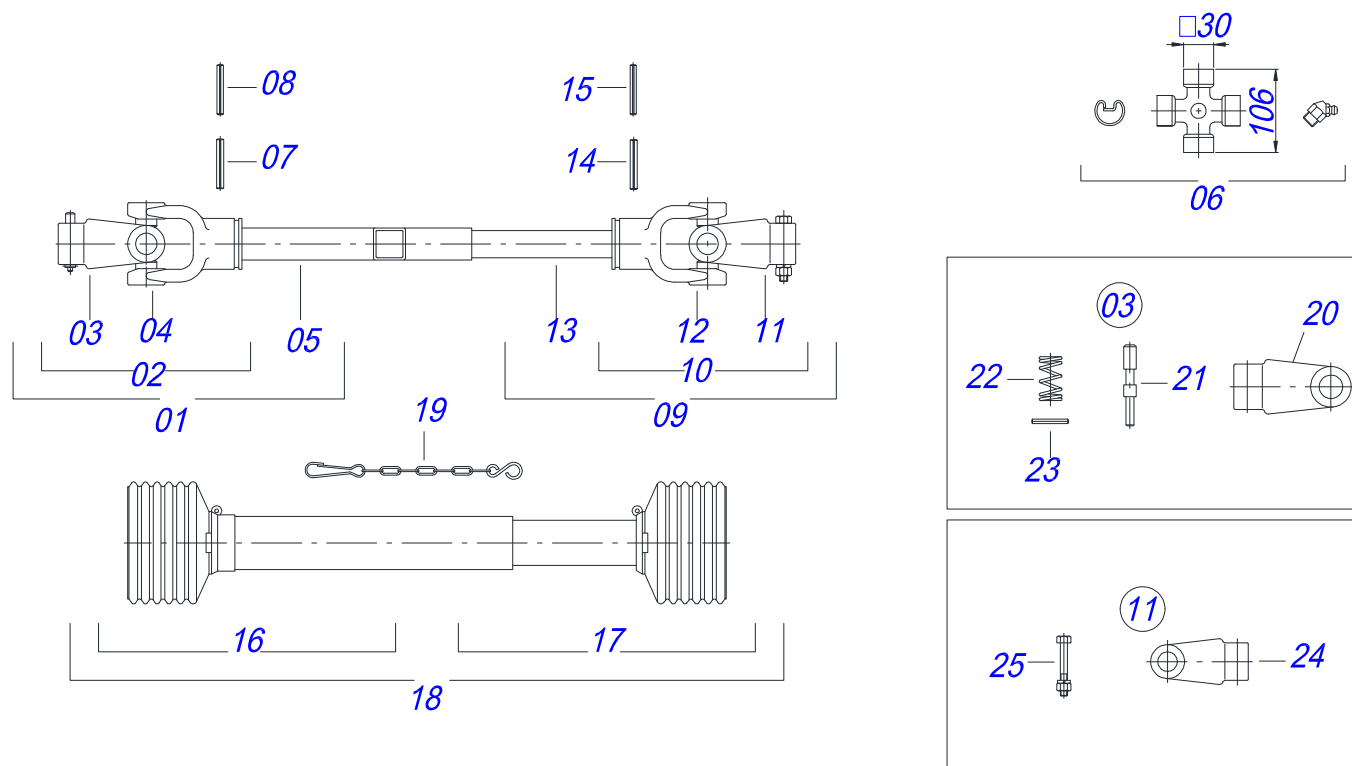


Item	Code	Description	See page	QT
01	0503012095	FRONT FLANGE		01
02	0503011869	CENTRAL FLANGE		01
03	0503011870	REAR FLANGE		01
04	0503031474	INNER FRICTION DISC		01
05	0503031478	OUTER FRICTION DISC		01
06	0503030630	1.02"X1.3"X0.2" COMPRESSION SPRING		08
07	0511017302	FLAT WASHER		08
08	0503011336	1/2" HEX SELF ADJUSTING NUT		08
09	0503010752	1/2" X 3.1/2" BOLT		08
10	0503010741	1/2" X 2-3/4" BOLT		02
11	0503010019	1/2" SPRING WASHER		02
12	0503010060	1/2" NUT		02

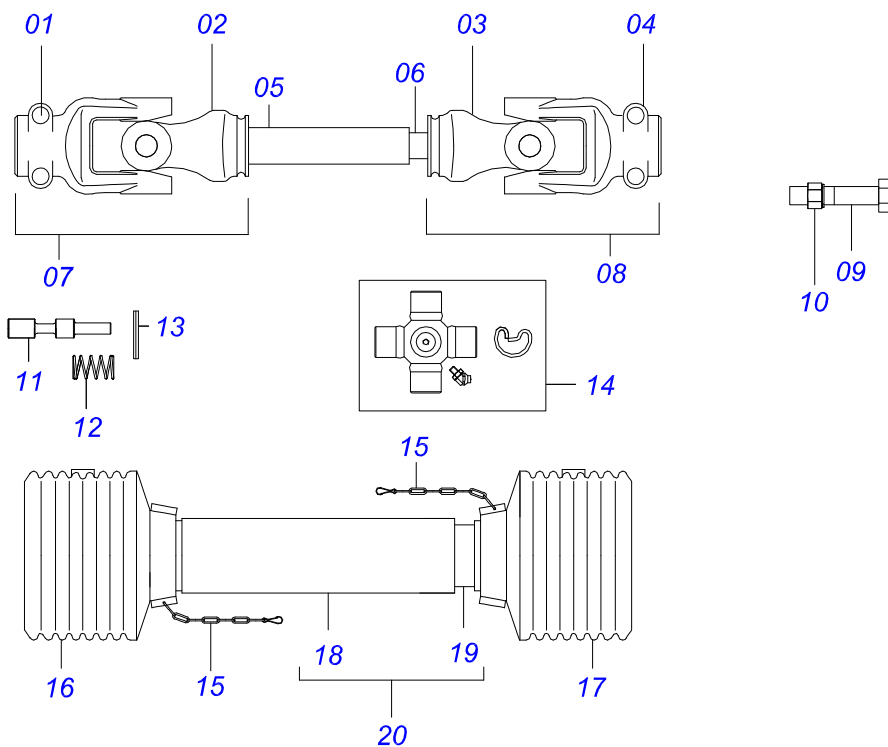




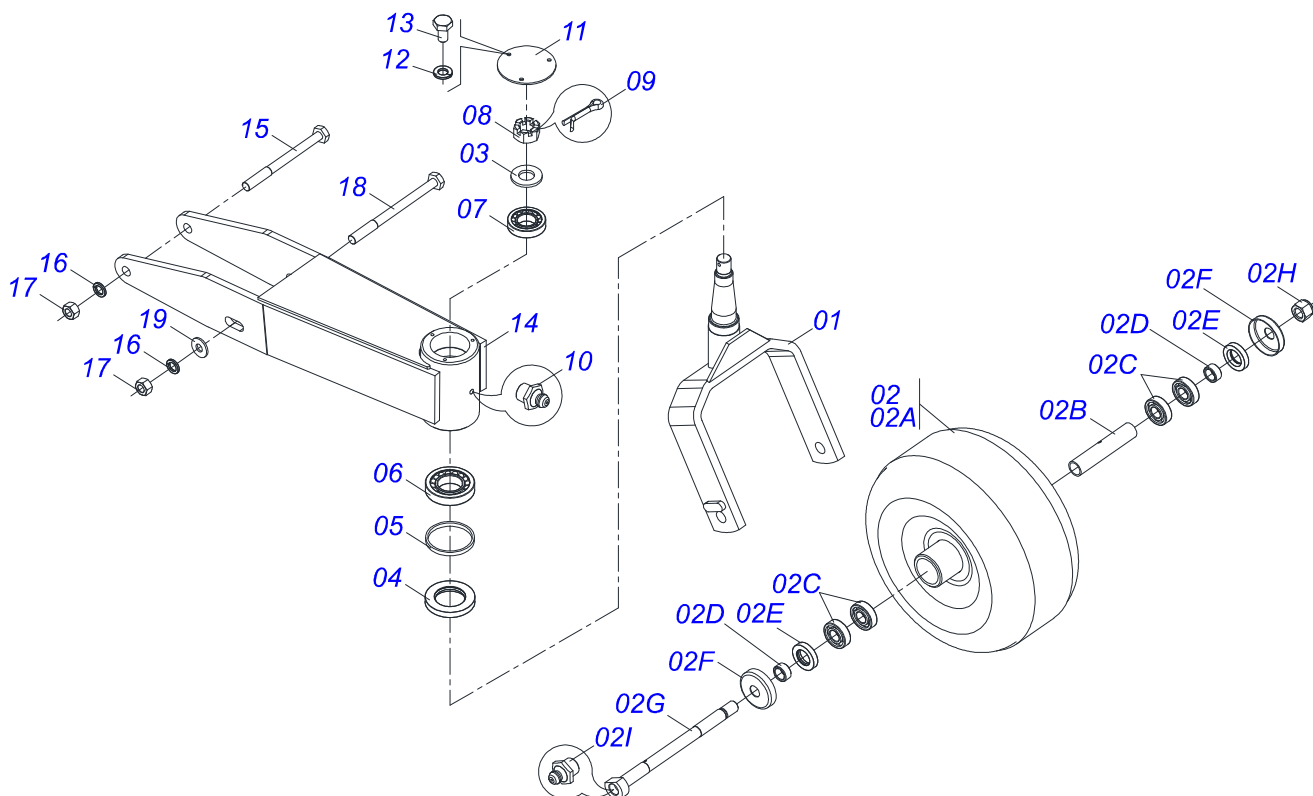
Item	Code	Description	See page
01	0511061700	COVER FRONT WHEEL SUPPORT	01
02	0503012951	3/4" X 10-1/2" BOLT	01
03	0503010023	3/4" SPRING WASHER	02
04	0503010014	3/4" NUT	02
05	0501053885	ARM REAR WHELL	01
05A	0511063509	14" X 8" WHELL	01
05B	0503010014	3/4" NUT	01
05C	0503010023	3/4" SPRING WASHER	01
05D	0511014254	DUST CLOAK	02
05E	0503010268	00262-B SEAL	02
05F	0503010269	6204 BALL BEARING	04
05G	0521010487	SPACER WASHER	02
05H	0551011854	REAR CARRYING WHEELS AXLE	01
05I	0531014502	0.9" X 1.1" X 6.3" SLEEVE	01
05J	0503010002	1800 GREASE FITTING	01
06	0531014507	0.6" X 10" COUPLING SHAFT	01
07	0503030168	HAIR PIN	01



Item	Code	Description	See page
01	0501051711	UNIVERSAL JOINT WITH SLEEVE	01
02	0501051708	UNIVERSAL JOINT	01
03	0501050334	1-60 TERMINAL WITH QUICK HITCH	01
04	0502011422	2-60 TERMINAL	01
05	0511013025	35" X 1.8" SQUARESLEEVE	01
06	0503010837	CARDAN CROSSPIECE	02
07	0503010843	0.4" X 3.3" SPRING PIN	01
08	0503011878	0.2" X 3.3" SPRING PIN	01
09	0501051712	UNIVERSAL JOINT WITH SHAFT	01
10	0501051710	UNIVERSAL JOINT	01
11	0501052516	T6-60 TERMINAL WITH SCREW	01
12	0502011424	3-60 TERMINAL	01
13	0511013026	1.4" X 35" SQUARE SHAFT	01
14	0503011069	0.4" X 2.8" SPRING PIN	01
15	0503011805	0.2" X 2.8" SPRING PIN	01
16	0503012075	PROTECTION FOR UNIV JOINT AND SLEEVE	01
17	0503012076	PROTECTION FOR UNIV JOINT AND AXLE	01
18	0503012074	PROTECTION ASSY	01
19	0503012023	CHAIN FOR PROTECTION	02
20	0502010568	1-60 STRIATED 1.3/8" TERMINAL	01
23	0521010638	0.5" X 3.3" QUIC HITCH COUPL SHAFT	01
24	0503030518	0.5"X1.0"X 0.1" COMPRESSION SPRING	01
25	0503010838	0.1" X 0.8" SPRING PIN	01



Item	Code	Description	See page	QT
01	0503017647	TERMINAL		01
02	0503017672	TERMINAL		01
03	0503017673	TERMINAL		01
04	0503017674	TERMINAL		01
05	0503017687	TUBE 900 X 45		01
06	0503017685	900 BAR		01
07	0503062347	UNIVERSAL JOINT		01
08	0503062348	UNIVERSAL JOINT		01
09	0503017645	HEXAGON BOLT		01
10	0503017646	NUT		01
11	0503017626	COUPLING SHAFT		01
12	0503017627	HITCH SPRING		01
13	0503017628	COTTERPIN		01
14	0503017667	CROSS & BEARING		02
15	0503017631	CHAIN ASSY		02
16	0503017680	SHAFT GUARD		01
17	0503017681	SMALLER GUARD		01
18	0503017682	LARGE GUARD		01
19	0503017683	SMALLER GUARD		01
20	0503062354	GUARD ASSY		01



Item	Code	Description	See page	QT
01	0511067159	REAR WHEELS FORK		01
02	0501057218	ARM REAR WHELL		01
02A	0511063509	14" X 8" WHELL		01
02B	0531014502	0.9" X 1.1" X 6.3" SLEEVE		01
02C	0503010269	6204 BALL BEARING		04
02D	0521010487	SPACER WASHER		02
02E	0503010268	00262-B SEAL		02
02F	0511014254	DUST CLOAK		02
02G	0551011854	REAR CARRYING WHEELS AXLE		01
02H	0503011075	3/4" UNC NUT		01
02I	0503010002	1800 GREASE FITTING		01
03	0511015994	FLAT WASHER		01
04	0503010279	SEAL		01
05	0541018986	WASHER		01
06	0503010360	30208 ROLLER BEARING		01
07	0503011290	30206 BALL BEARING		01
08	0503030009	1" CASTLE NUT		01
09	0503010523	1/4" X 2" COTTERPIN		01
10	0503010002	1800 GREASE FITTING		01
11	0541018995	WHEEL BOX COVER		01
12	0503011441	SPRING WASHER		03
13	0503013758	1/4" X 1-1/2" BOLT		03
14	0511067801	REAR WHEEL SUPPORT		01
15	0503010795	5/8" X 7" BOLT		01
16	0503011445	SPRING WASHER		02
17	0503010013	5/8" NUT		02
18	0503012410	5/8" X 7.1/2" BOLT		01
19	0501012140	FLAT WASHER		01





[www.marchesan.com.br](http://www.marchesan.com.br)



**Technical Publications | Elaboration and Revision**  
LUIZ CANDIDO