

PARTS CATALOG

ROTARY CUTTERS

RC2E 2600 LSL S-0304

Code: 0501091345



Series: S-0304

Review: MARÇO/04

ORIGINAL PARTS
TATU

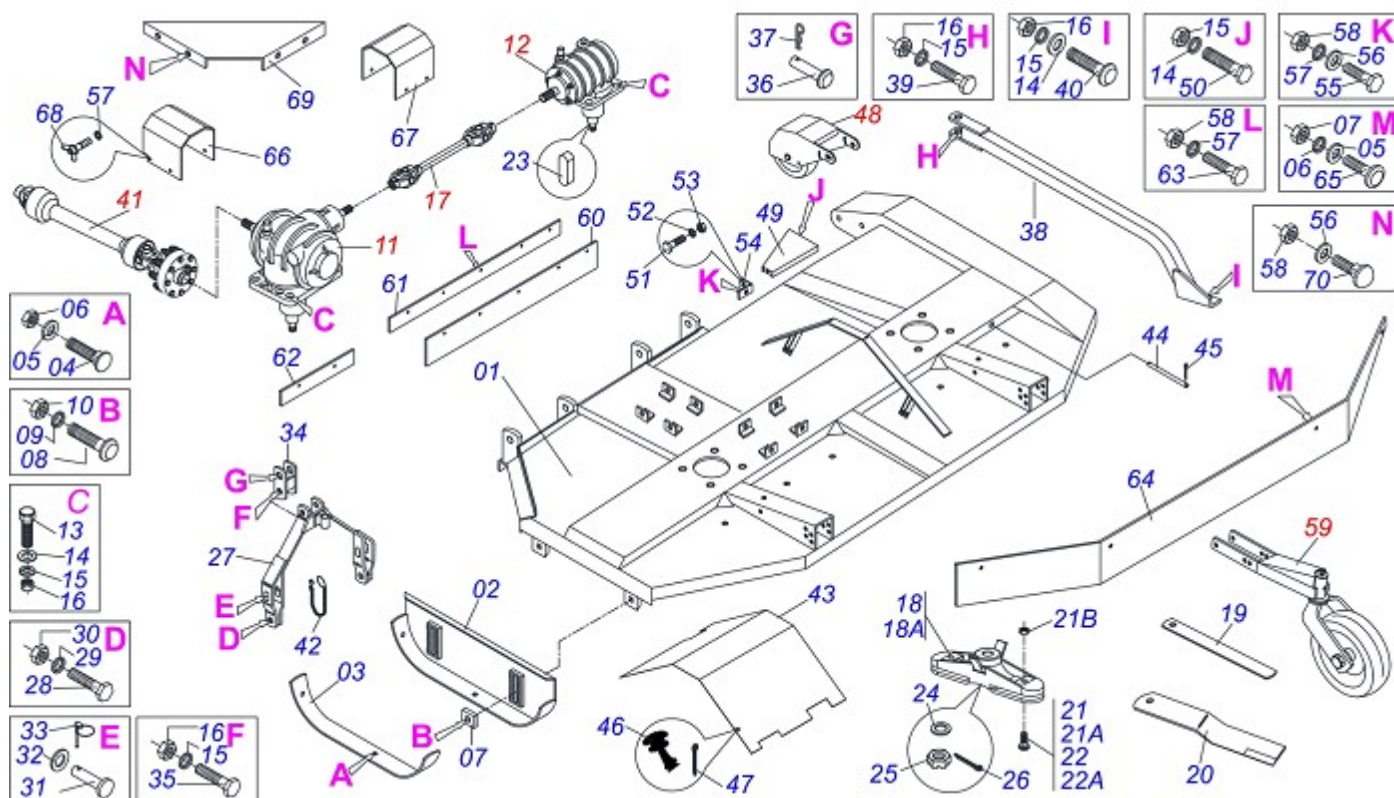


INDEX

RC2/E 2600 LSL FRAME ASSY	1
DISTRIBUTOR MULTIPLIER	2
SPEED TRANSMISSION	3
DRIVE SHAFT	4
CARDAN 60 X 900 T1/T6 C/P 0501047948 (STU)	5
DRIVE SHAFT	6
90 KGM FRICTION	7
CARRYING WHEELS ASSY	8
PROTECTION WHEELS FRONT ASSY	9
RUBBER WHEEL ASSY RC 3100	10

ATTENTION: **IMPORTANT**

MARCHESAN RESERVES THE RIGHT AT ANY TIME TO MAKE IMPROVEMENTS IN THE DESIGN, MATERIAL OR SPECIFICATIONS OF MACHINERY, EQUIPMENT OR PARTS WITHOUT THEREBY BECOMING LIABLE TO MAKE SIMILAR CHANGES IN MACHINERY, EQUIPMENT OR PARTS PREVIOUSLY SOLD.



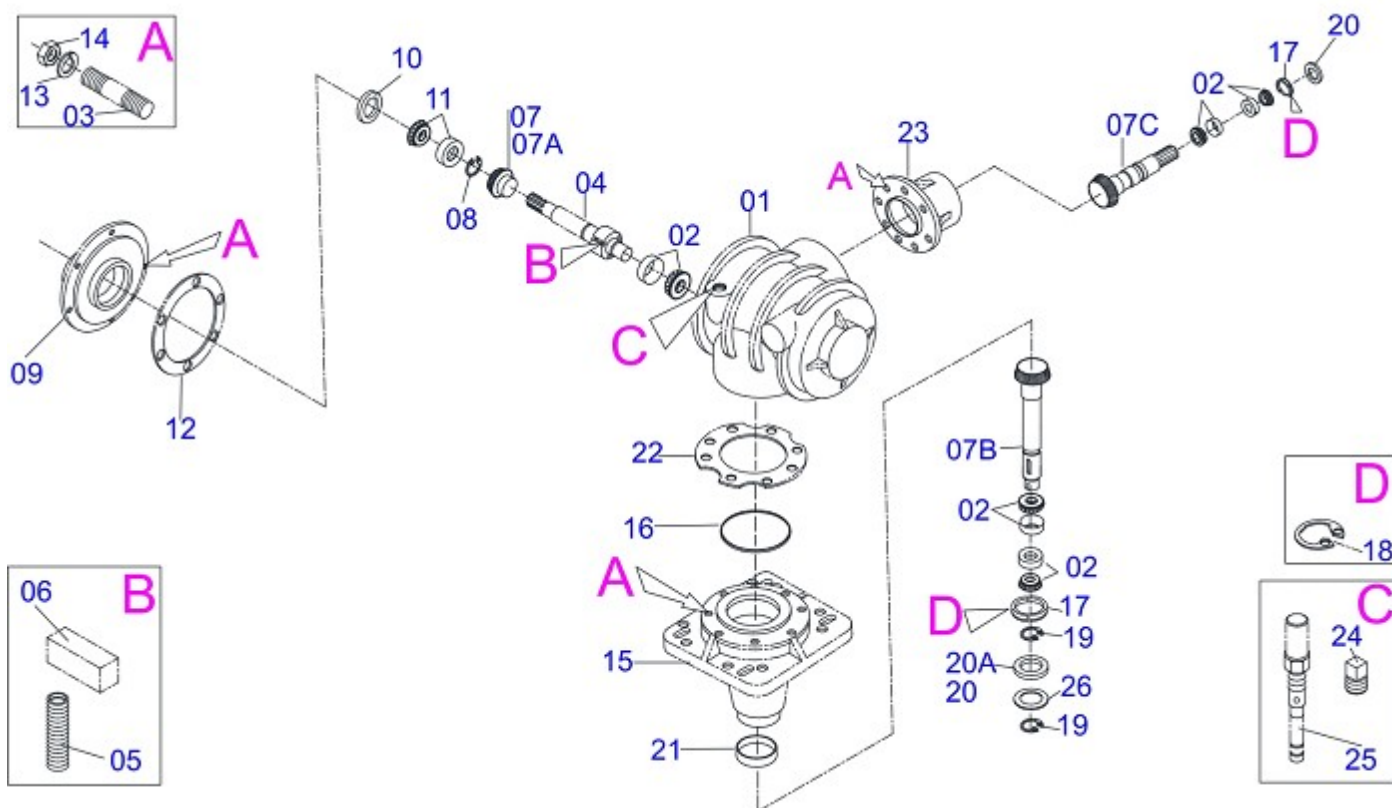
Item	Code	Description	QT
01	0511063505	RC2/E 2600 LSL FRAME	01
02	0511064761	930 LEFT SKID	01
03	0531019436	SKID GUIDE	01
04	0503012956	1/2" X 1-1/2" BOLT	03
05	0511017302	FLAT WASHER	07
06	0503010020	1/2" NUT	07
07	0502010083	SQUARE WASHER	02
08	0501014177	5/8" X 2-1/2" BOLT	02
09	0503010027	5/8" SPRING WASHER	02
10	0503010013	5/8" NUT	02
11	0501047684	DISTRIBUTOR MULTIPLIER	01
12	0511040882	SPEED TRANSMISSION	01
13	0503010797	3/4" X 4" BOLT	08
14	0501010322	FLAT WASHER	09
15	0503010023	3/4" SPRING WASHER	11
16	0503010014	3/4" NUT	11
17	0501045888	DRIVE SHAFT	01
18	0502011912	SUPPORT OF THE ROTARY CUTTER BLADES	01
18A	0502011570	SUPPORT ROTARY CUTTER BLADES	01
19	0531015105	520 FOLLOWER	02
19A	0502011570	SUPPORT ROTARY CUTTER BLADES	01
20	0622400059	21.6" X 3.94" X 0.5" ROTARY CUTTER	04
21	0511040935	FASTERNER ROCADORES	04
21A	0531014512	FASTERNER ROCADORES	04
21B	0503010812	7/8" UNF SELF ADJUSTING NUT	04
22	0501047573	FASTERNER ROCADORES	04
22A	0511019000	FASTERNER ROCADORES	04
23	0501010536	0.4" X 1.7" KEYWAY SQUARE	04
24	0501017779	FLAT WASHER	02
25	0503011052	1.1/4" X 0.77" CASTLE NUT	02
26	0503010067	3/16" X 2.1/2" COTTER PIN	02
27	0511063506	DRAWBAR	01
28	0501010171	1" X 3-1/2" BOLT	02



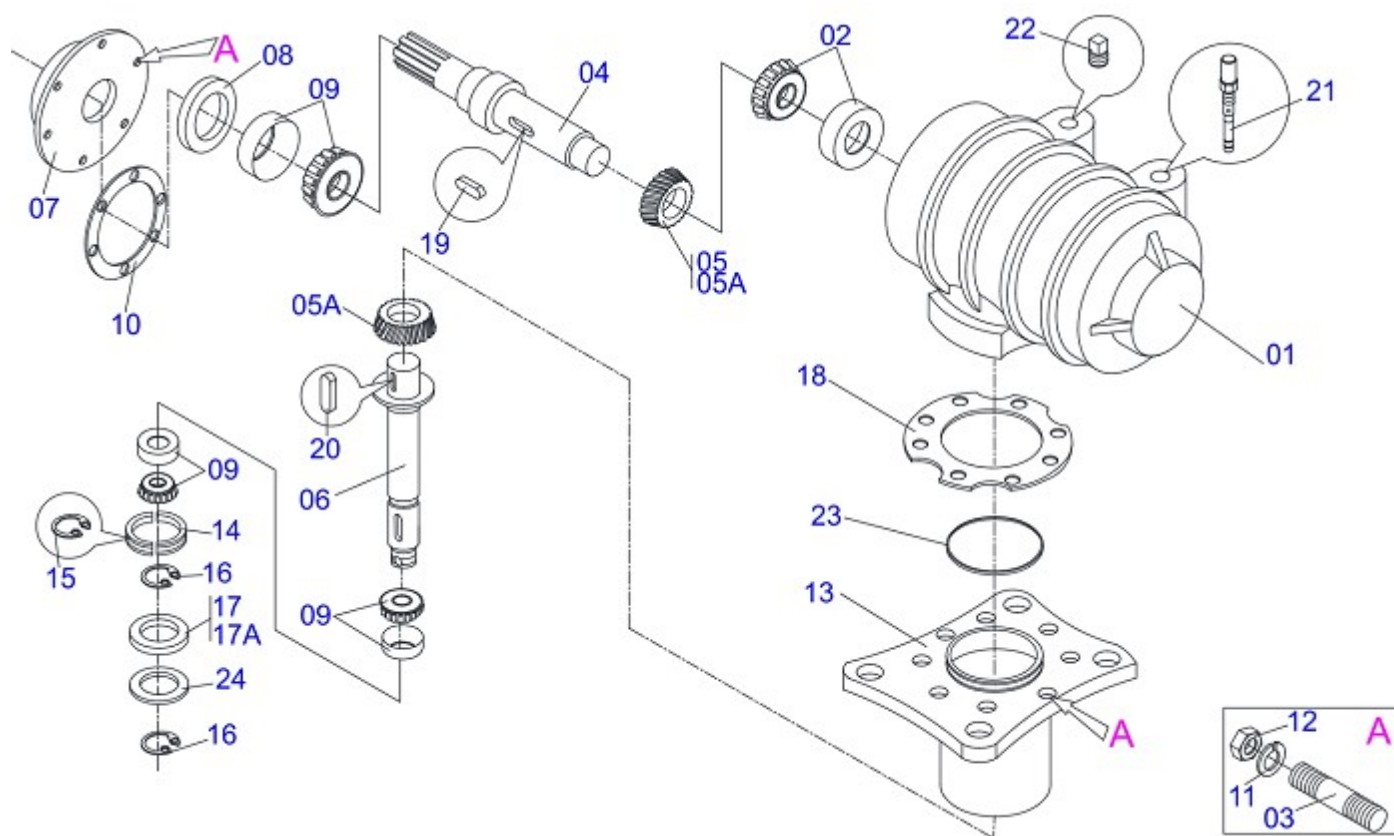
RC2/E 2600 LSL FRAME ASSY

0511040880

Item	Code	Description	QT
29	0503010012	1" SPRING WASHER	02
30	0501010059	1" NUT HEX	02
31	0521010629	1.1" X 5.1" COUPLING SHAFT	02
32	0501010065	FLAT WASHER	02
33	0503030430	7/16 X 2" PIN LOCK	02
34	0501066445	PIVOT DOUBLE BAR	01
35	0503011198	3/4" X 6" BOLT	01
36	0521010578	0.9" X 4.3" COUPLING SHAFT	01
37	0503031035	HAIR PIN	01
38	0501067540	ATTACHMENT BAR	01
39	0501010216	3/4" X 4-1/2" BOLT	01
40	0501017305	3/4" X 2-1/4" BOLT	01
41	0501045426	DRIVE SHAFT	01
42	0503011981	17.7" CHAIN WITH HOOK/LINK	01
43	0511063510	PROTECCION COVE	01
44	0521012315	AXLE WITH PROTECTION CAP	01
45	0503010131	3/16" X 1-1/2" COTTERPIN	02
46	0503011333	COVER FIXER	02
47	0503010274	5/32" X 2" COTTERPIN	02
48	0511040988	PROTECTION WHEELS FRONT ASSY	01
49	0511063511	FRONT PROTECCION	01
50	0503012951	3/4" X 10-1/2" BOLT	01
51	0503010395	1/2" X 1-1/4" BOLT	01
52	0503011440	1/2" SPRING WASHER	01
53	0503010060	1/2" NUT	01
54	0531014505	FRONT PROTECCION FIXER	01
55	0503010751	3/8" X 1.1/4" HEX BOLT G.5	01
56	0501010984	FLAT WASHER	09
57	0503010025	3/8" SPRING WHASHER	07
58	0503010026	3/8" NUT	07
59	0511040881	CARRYING WHEELS ASSY	02
60	0531014532	FRONT PROTECTION	01
61	0521014533	ARM BODY INSIDE LEFT OUTSIDE RIGHT	01
62	0531015635	FRONT PROT FIXER SMALLER BAR	01
63	0503010849	3/8" X 1-1/2" BOLT	06
64	0531015636	REAR PROTECCION	01
65	0501011600	1/2" X 1-1/4" BOLT	04
66	0531017842	COVER OF LATERAL PROTECTION	01
67	0531017843	FRONT PROTECTION COVER	01
68	0503012904	3/8" BUTTERFLY BOLT	08
69	0531017928	PROTECTION LOCK COVER	01
70	0501011643	3/8" X 1" BOLT	04



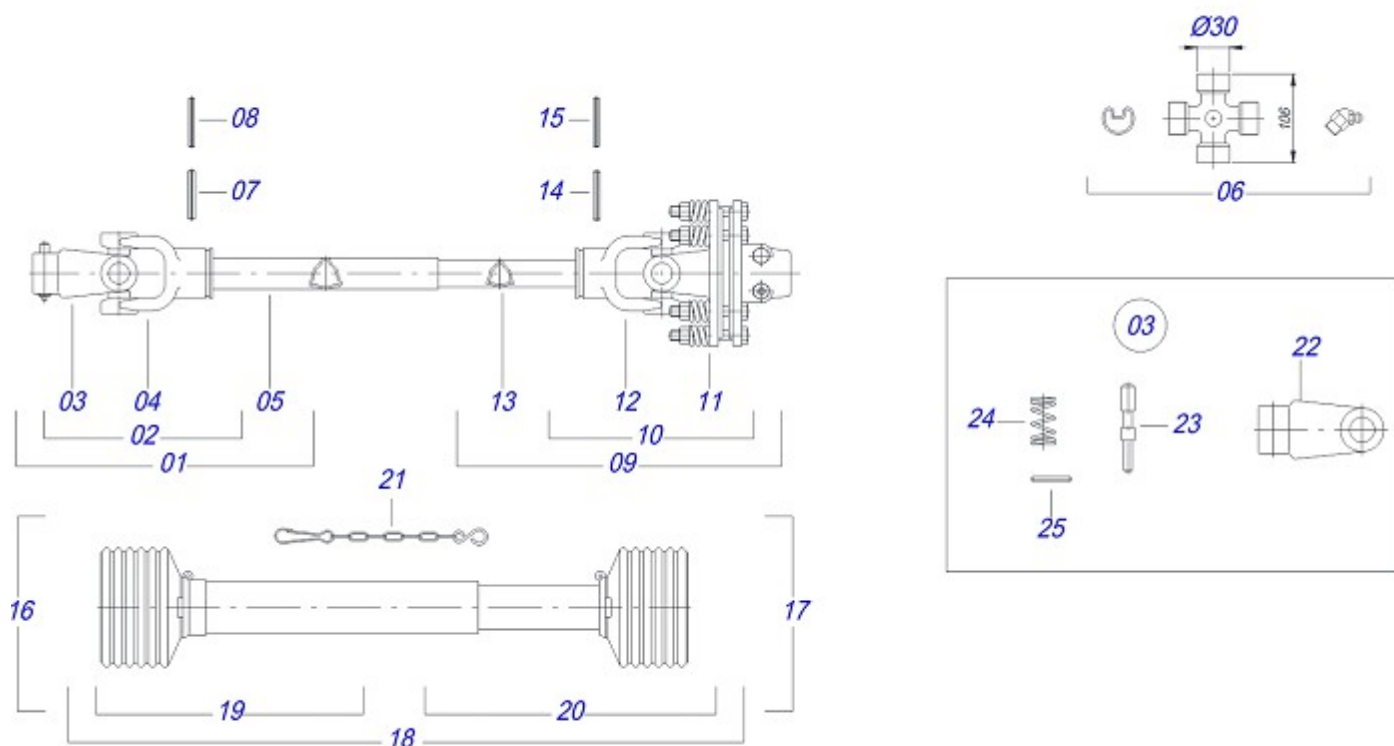
Item	Code	Description	
00	0501047684	DISTRIBUTOR MULTIPLIER	01
01	0502011171	MULTIPLIER BOX	01
02	0503010006	32210 ROLLER BEARING	05
03	0503030084	1/2" X 1/2" X 2.0" PRISONER	22
04	0503050051	UPPER AXLE	01
05	0503030051	0.2" X 1" X 0.1" COMPRESSION SPRING	06
06	0511013556	RATCHET CLICK	03
07	0503060216	CROWN PINION SET	01
07A	0503050050	24Z CONICAL GEAR	01
07B	0503050049	PINION CONICAL 13Z	01
07C	0503050045	PINION CONICAL 13Z	01
08	0503010217	501040 CLAMPING RING (FOR AXLE)	01
09	0502010981	LARGER COVER	01
10	0503011171	00912-BRG SEAL	01
11	0503010037	30207 ROLLER BEARING	01
12	0503030784	8.5" X 6.7" X 0.01" JOINT	03
13	0503010019	1/2" SPRING WASHER	22
14	0503010028	1/2" NUT	22
15	0502011392	HOUSING LOWER	01
16	0503010286	2-355 N 3006-9B O'RING	01
17	0511010142	LOCK RING	02
18	0503010396	501060 CLAMPING RING (FOR AXLE)	02
19	0503011190	502090 CLAMPING RING (FOR AXLE)	02
20	0503011047	5089 SEAL	02
20A	0503011201	5089 SEAL WITH HOLE	01
21	0511017752	LOWER DUST CLOAK	01
22	0503030785	7.9" X 5.9" X 0.008" JOINT	06
23	0502011997	SIDE BOX	01
24	0501110185	OIL LARGER LEVEL INDICATOR	01
25	0503010123	1/2" BSPT PLUG	01
26	0521018064	FLAT WASHER	01



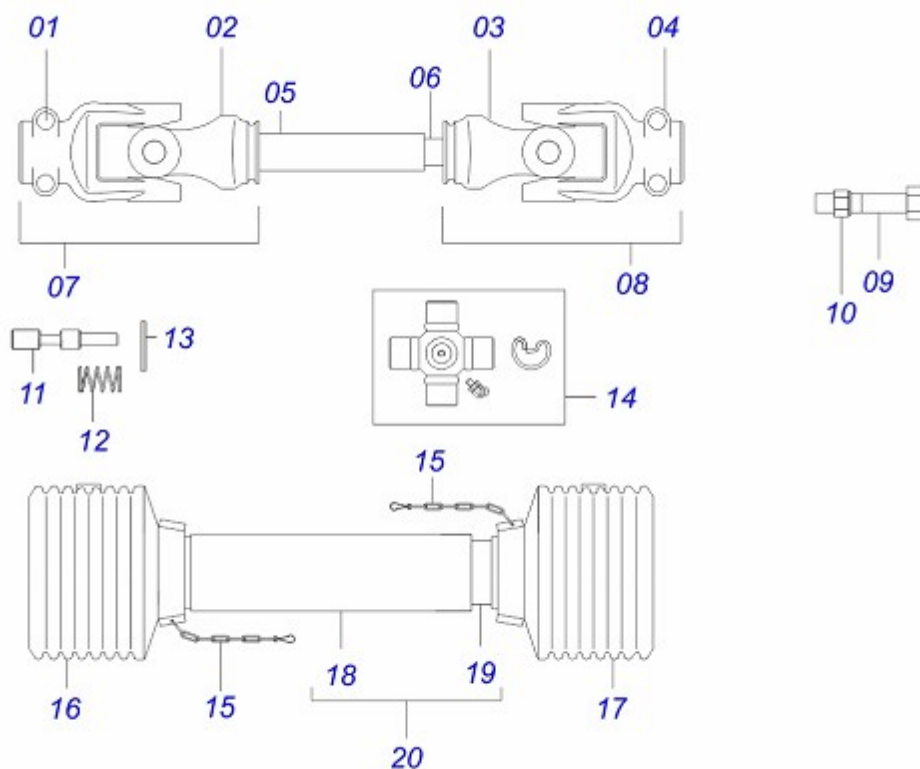
Item	Code	Description	
00	0511040882	SPEED TRANSMISSION	01
01	0502010984	LEFT MULTIPLIER BOX	01
02	0503010037	30207 ROLLER BEARING	01
03	0503030084	1/2" X 1/2" X 2.0" PRISONER	14
04	0503050067	UPPER AXLE	01
05	0503060249	CONICAL GEAR SET FOR DOUBLE DISTRIBUTOR	01
05A	0503030113	15Z RIGHT CONICAL GEAR	01
06	0503050048	AXLE LOWER	01
07	0502011152	SMALLER COVER	01
08	0503011171	00912-BRG SEAL	01
09	0503010006	32210 ROLLER BEARING	03
10	0503030783	7.1" X 5.3" X 0.008" JOINT	03
11	0503010019	1/2" SPRING WASHER	14
12	0503010028	1/2" NUT	14
13	0502011392	HOUSING LOWER	01
14	0511010142	LOCK RING	01
15	0503010396	501060 CLAMPING RING (FOR AXLE)	01
16	0503011190	502090 CLAMPING RING (FOR AXLE)	02
17	0503011047	5089 SEAL	01
17A	0503011201	5089 SEAL WITH HOLE	01
18	0503030785	7.9" X 5.9" X 0.008" JOINT	03
19	0501010536	0.4" X 1.7" KEYWAY SQUARE	02
20	0501012993	0.4" X 1.1" KEYWAY SQUARE	02
21	0501110186	OIL SMALLER LEVEL INDICATOR	01
22	0503010123	1/2" BSPT PLUG	02
23	0503010286	2-355 N 3006-9B O'RING	01
24	0521018064	FLAT WASHER	01

DRIVE SHAFT

0501045426

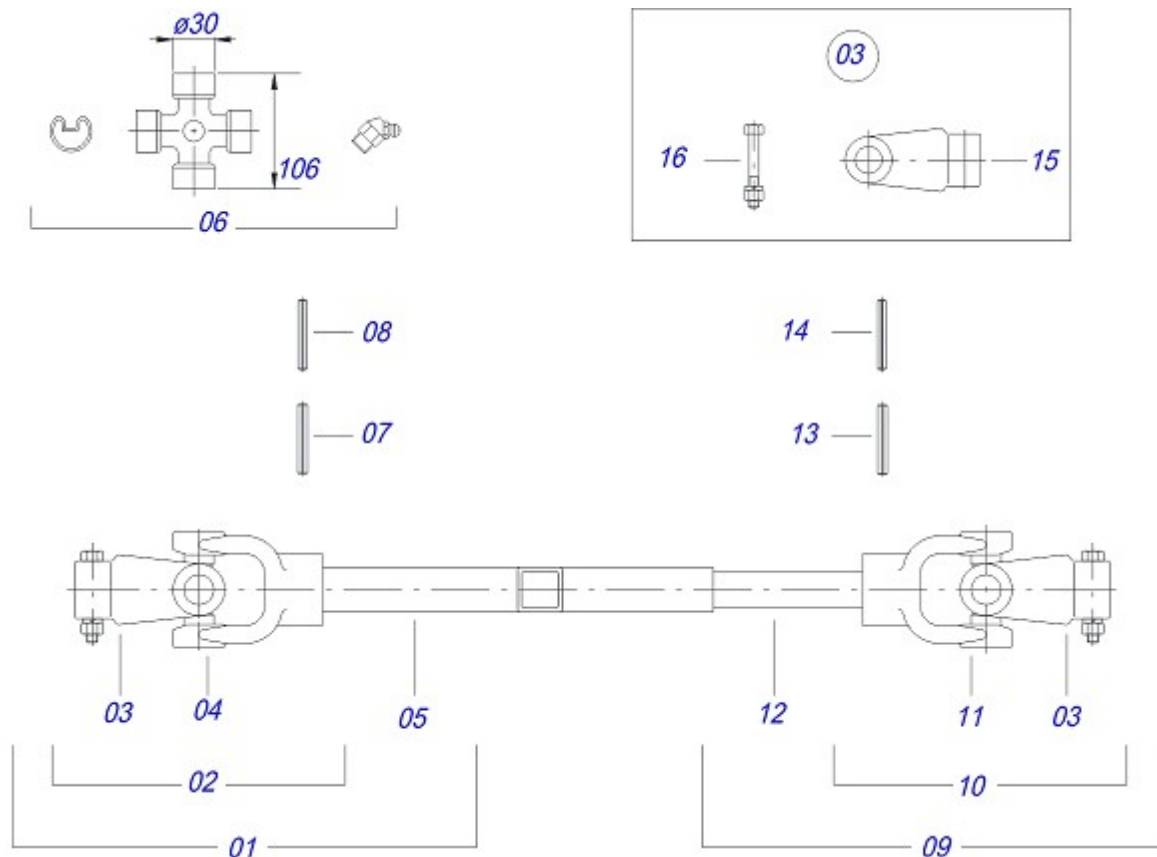


Item	Code	Description	
01	0501052523	UNIVERSAL JOINT WITH SLEEVE	01
02	0501052524	UNIVERSAL JOINT	01
03	0503012609	2.1" X 2.0" X 35" TRIAN FEMALE TUB	01
04	0503010843	0.4" X 3.3" ELASTIC PIN	01
05	0503011878	0.2" X 3.3" ELASTIC PIN	01
06	0503012075	PROTECTION FOR UNIV JOINT AND SLEEV	01
07	0501052550	T10-20 TERMINAL WITH SCREW	01
07a	0502010886	10-20 TERMINAL	01
07b	0503011148	3/8" X 1/2" BOLT	01
08	0503012610	1.8" X 1.7" X 35" TRIAN MALE TUB	01
09	0503011069	0.4" X 2.8" ELASTIC PIN	01
10	0503011805	0.2" X 2.8" ELASTIC SPRING PIN	01
11	0501052554	UNIVERSAL JOINT WITH SHAFT/PROT	01
12	0503012600	T3-60/CI52 TERMINAL	01
13	0503010837	CARDAN CROSSPIECE	01
14	0501052553	UNIVERSAL JOINT WITH CROSS/SHAFT	01
15	0503012076	PROTECTION FOR UNIV JOINT AND AXLE	01
16	0503012023	CHAIN FOR UNIV JOINT PROTECTION	02
17	0501049150	90 KGM FRICTION	01

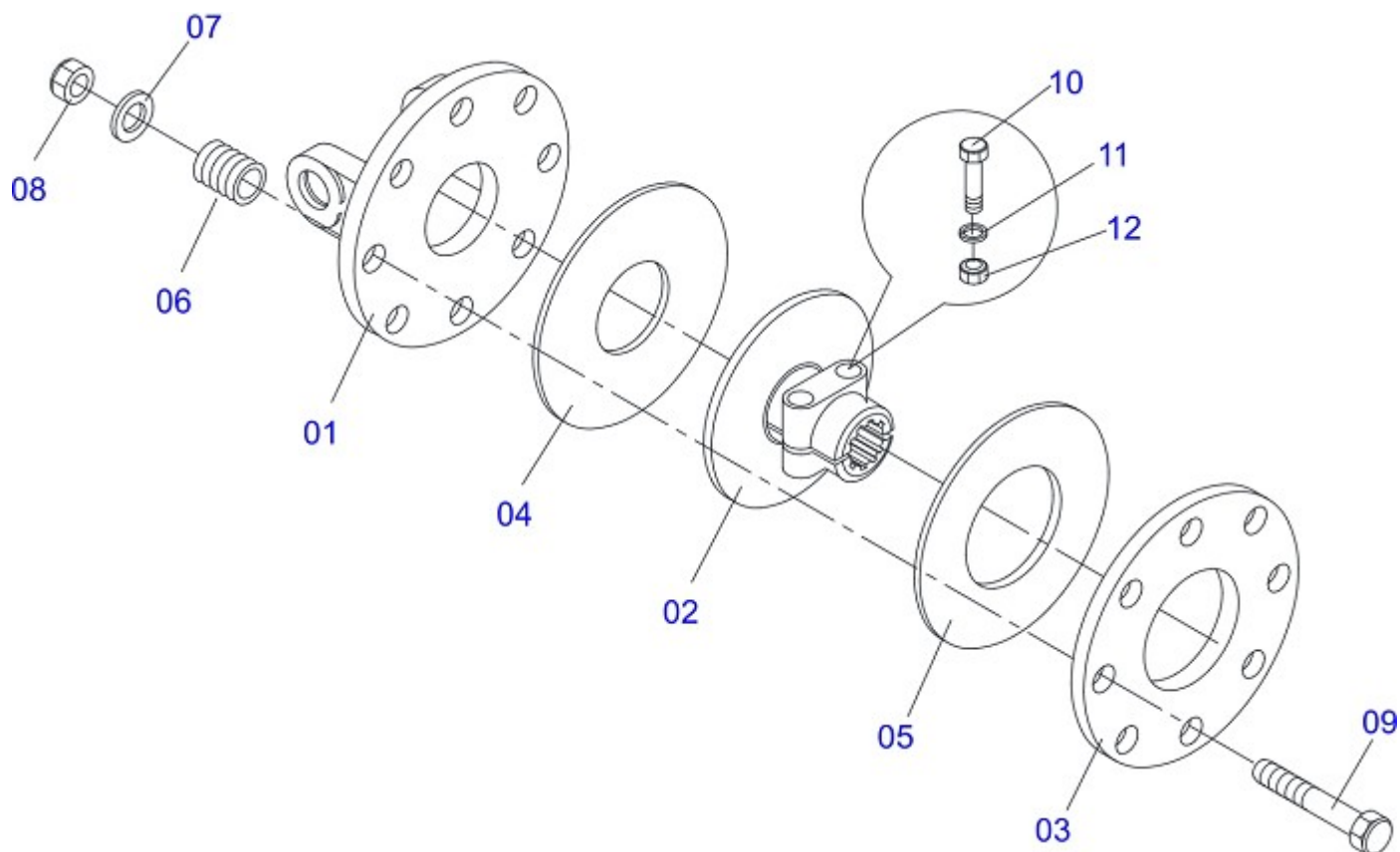


Item	Code	Description	QT
01	0503017647		01
02	0503017672		01
03	0503017673		01
04	0503017674		01
05	0503017687		01
06	0503017685		01
07	0503062347		01
08	0503062348		01
09	0503017645		01
10	0503017646		01
11	0503017626		01
12	0503017627		01
13	0503017628		01
14	0503017667		02
15	0503017631		02
16	0503017680		01
17	0503017681		01
18	0503017682		01
19	0503017683		01
20	0503062354		01

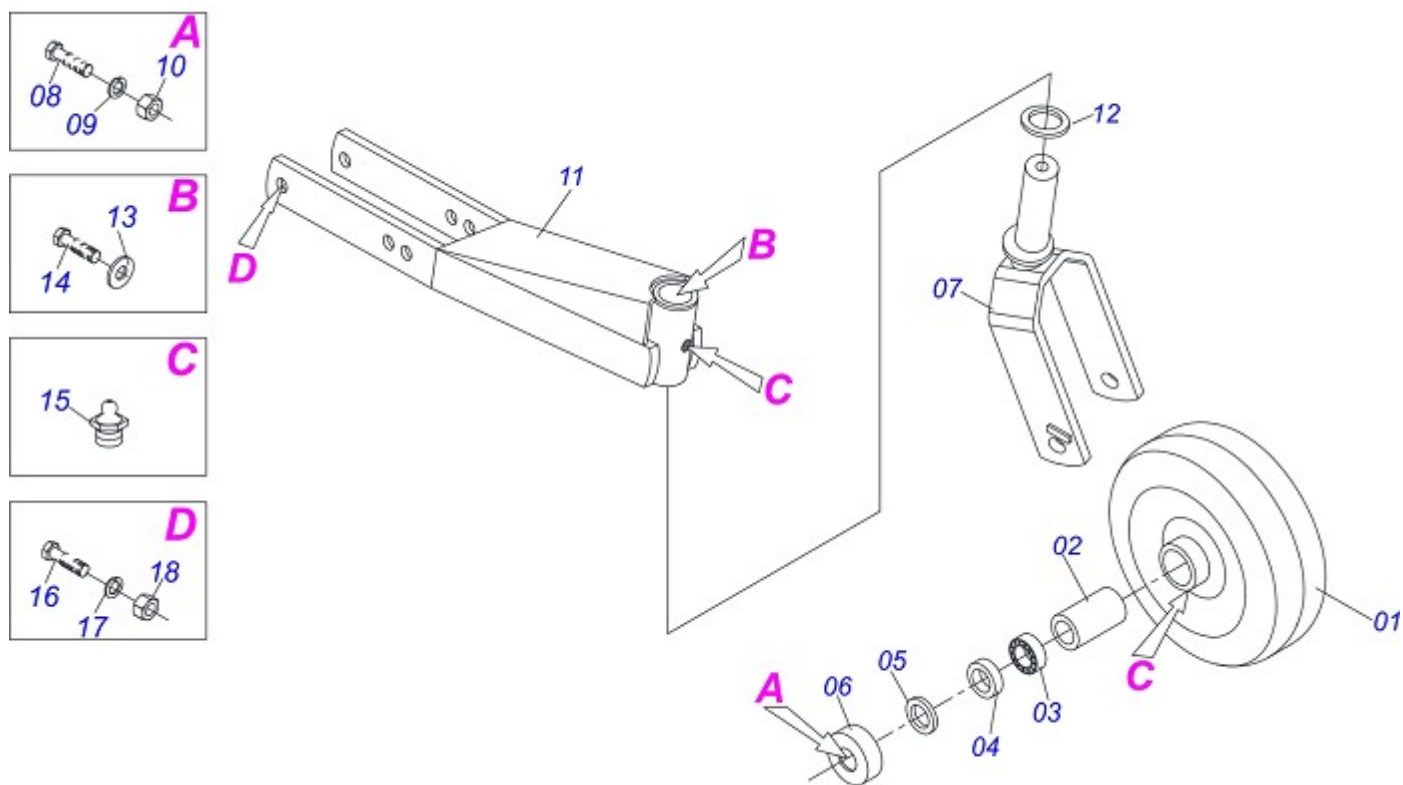
DRIVE SHAFT



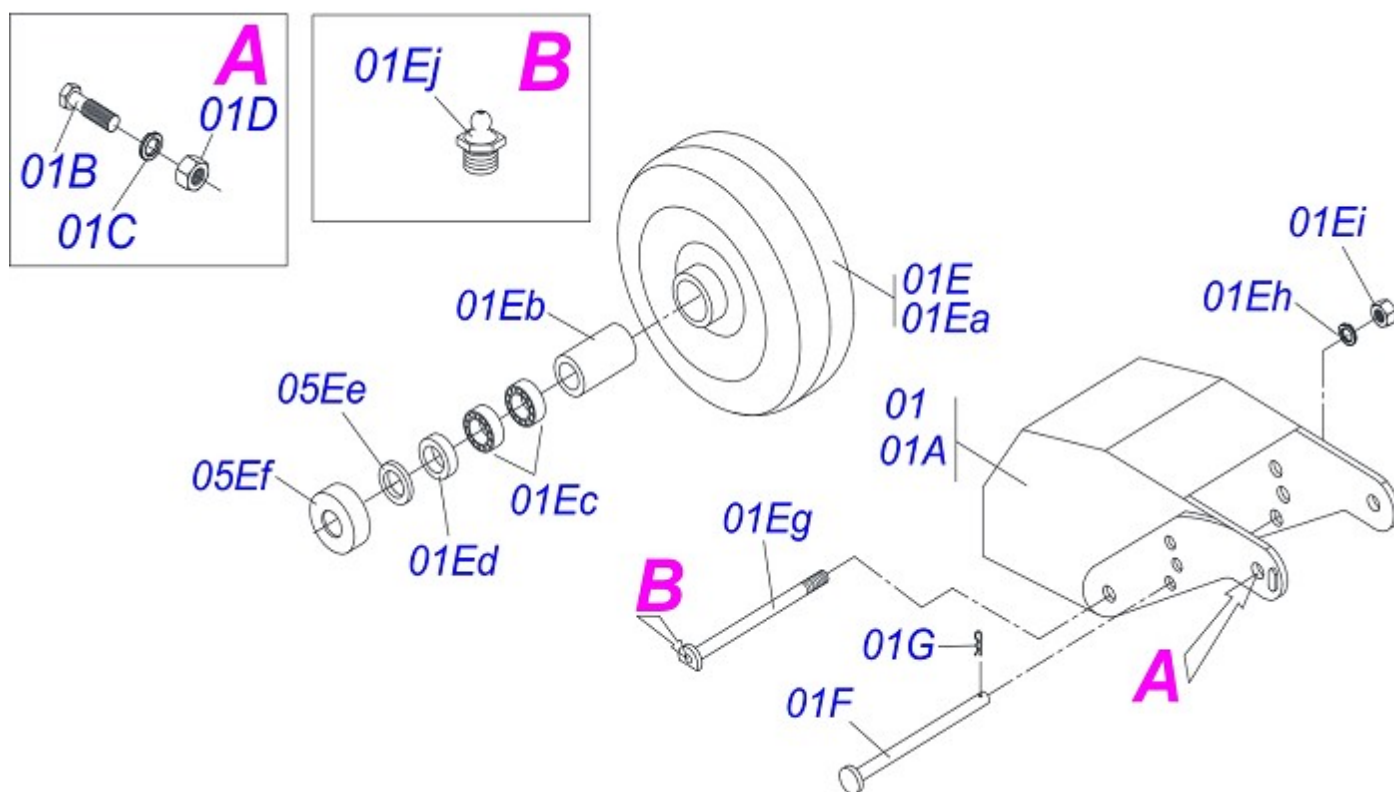
Item	Code	Description	
00	0501045888	DRIVE SHAFT	01
01	0501050873	UNIVERSAL JOINT WITH SLEEVE	01
02	0501050390	UNIVERSAL JOINT	01
03	0501052516	T6-60 TERMINAL WITH SCREW	02
04	0502010570	2-60 TERMINAL W/ SH 1.8"/1.8"	01
05	0511017082	12" X 1.5" SQUARE SLEEVE	01
06	0503010837	CARDAN CROSSPIECE	02
07	0503010843	0.4" X 3.3" ELASTIC PIN	01
08	0503011878	0.2" X 3.3" ELASTIC PIN	01
09	0501050874	UNIVERSAL JOINT WITH SHAFT	01
10	0501050388	UNIVERSAL JOINT	01
11	0502010571	3-60 TERMINAL W/ SH 1.43"/1.43"	01
12	0511017083	1.4" X 12" SQUARE SHAFT	01
13	0503011069	0.4" X 2.8" ELASTIC PIN	01
14	0503011805	0.2" X 2.8" ELASTIC SPRING PIN	01
15	0502010830	6-60 STRIATED 1.3/8" TERMINAL	01
16	0501047759	1/2" X 3-1/2" BOLT ASSY	02



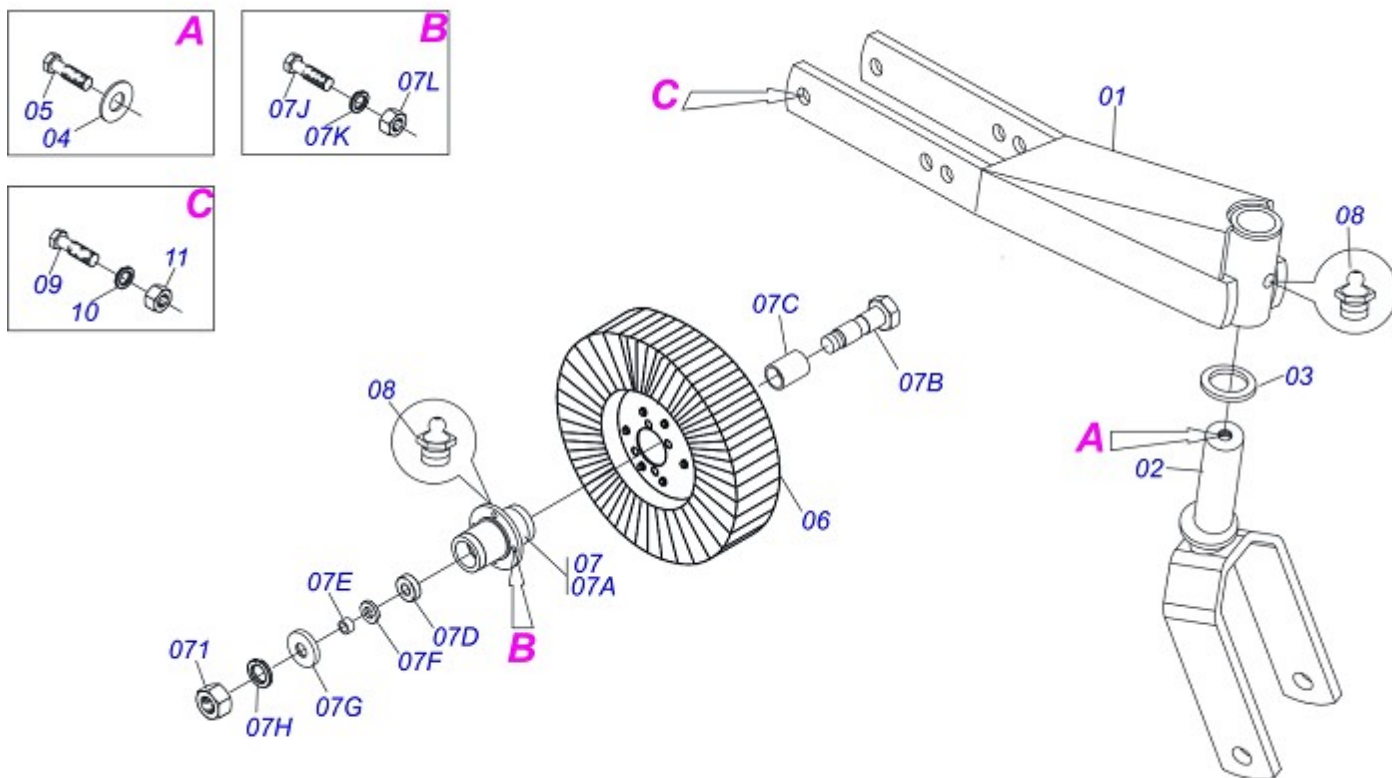
Item	Code	Description	
01	0503031588	FRONT FLANGE	01
02	0503011869	CENTRAL FLANGE	01
03	0503011870	REAR FLANGE	01
04	0503031474	INNER FRICTION DISC	01
05	0503031478	OUTER FRICTION DISC	01
06	0503030630	1.02"X1.3"X0.2" COMPRESSION SPRING	08
07	0511017302	FLAT WASHER	08
08	0503011336	1/2" HEX SELF ADJUSTING NUT	08
09	0503010752	1/2" X 3.1/2" BOLT	08
10	0503010741	1/2" X 2-3/4" BOLT	02
11	0503010019	1/2" SPRING WASHER	02
12	0503010060	1/2" NUT	02



Item	Code	Description	QT
00	0511040881	CARRYING WHEELS ASSY	01
01	0501063309	13.8" X 4.33" WHEEL ASSY	01
02	0521010460	0.9" X 1.1" X 2.9" SLEEVE	01
03	0503010269	6204 BALL BEARING	02
04	0521010487	SPACER WASHER	02
05	0503010268	00262-B SEAL	02
06	0511014254	DOOR HOSE	02
07	0511063515	WHEEL FORK	01
08	0501017143	WHEEL AXLE	01
09	0503010023	3/4" SPRING WASHER	01
10	0503010014	3/4" NUT	01
11	0501069375	WHEEL SUPPORT	01
12	0511013239	FLAT WASHER	01
13	0511010721	FLAT WASHER	01
14	0503010962	5/8" X 1-1/4" BOLT	01
15	0503010002	GREASE FITTING	02
16	0503010795	5/8" X 7" BOLT	02
17	0503010027	5/8" SPRING WASHER	02
18	0503010013	5/8" NUT	02



Item	Code	Description	
00	0511040988	PROTECTION WHEELS FRONT ASSY	01
01	0511061700	COVER FRONT WHEEL SUPPORT	01
02	0503012951	3/4" X 10-1/2" BOLT	01
03	0503010023	3/4" SPRING WASHER	02
04	0503010014	3/4" NUT	02
05	0501053885	ARM FRONT WHELL	01
05A	0511063509	14" X 8" WHELL	01
05B	0531014502	0.9" X 1.1" X 6.3" SLEEVE	01
05C	0503010269	6204 BALL BEARING	04
05D	0521010487	SPACER WASHER	02
05E	0503010268	00262-B SEAL	02
05F	0511014254	DOOR HOSE	02
05G	0551011854	REAR CARRYING WHEELS AXLE	01
05H	0503010002	GREASE FITTING	01
06	0531014507	0.6" X 10" COUPLING SHAFT	01
07	0503030168	HAIR PIN	01



Item	Code	Description	
01	0501043642	RUBBER WHEEL ASSY RC 3100	01
01A	0501069375	WHEEL SUPPORT	01
02	0501065266	WHELL FORK	01
03	0511013239	FLAT WASHER	01
04	0511010721	FLAT WASHER	01
05	0503010962	5/8" X 1-1/4" BOLT	01
06	0501050433	TIRE WHELL	01
07	0501051587	WHEELS BOX ASSY	01
07A	0502011286	WHEELS BOX ASSY	01
07B	0501017143	WHEEL AXLE	01
07C	0521010460	0.9" X 1.1" X 2.9" SLEEVE	01
07D	0503010269	6204 BALL BEARING	02
07E	0521010487	SPACER WASHER	02
07F	0503010689	SEAL 00763-BR	02
07G	0511011001	DUST CLOAK	01
07H	0503010023	3/4" SPRING WASHER	01
07I	0503010014	3/4" NUT	04
07J	0501010080	3/8" X 1-1/2" BOLT	04
07K	0503010025	3/8" SPRING WHASHER	04
07L	0503010026	3/8" NUT	02
08	0503010002	GREASE FITTING	01
09	0503010795	5/8" X 7" BOLT	02
10	0503010027	5/8" SPRING WASHER	02
11	0503010013	5/8" NUT	02



MARCHESAN IMPLEMENTOS E MÁQUINAS AGRÍCOLAS TATU S.A.
AV. Marchesan, 1979 - Post office box, 131 - CEP 15994-900 - Matão - SP - Brazil
Phone +55 16.3382-8282
(FAX Parts) + 55 16.3382. 8297 - (Export) + 55 16.3382.1003
e.mail: tatu@marchesan.com.br www.marchesan.com.br

Drafting and Illustration = GASPARI
e.mail = jgaspari@marchesan.com.br

**ORIGINAL PARTS
TATU**

