

# PARTS CATALOG

## ROTARY CUTTERS

RC3 1700 S-0312

Code: 0501091343



Series: S-0312

Review: MARÇO/12

ORIGINAL PARTS  
TATU

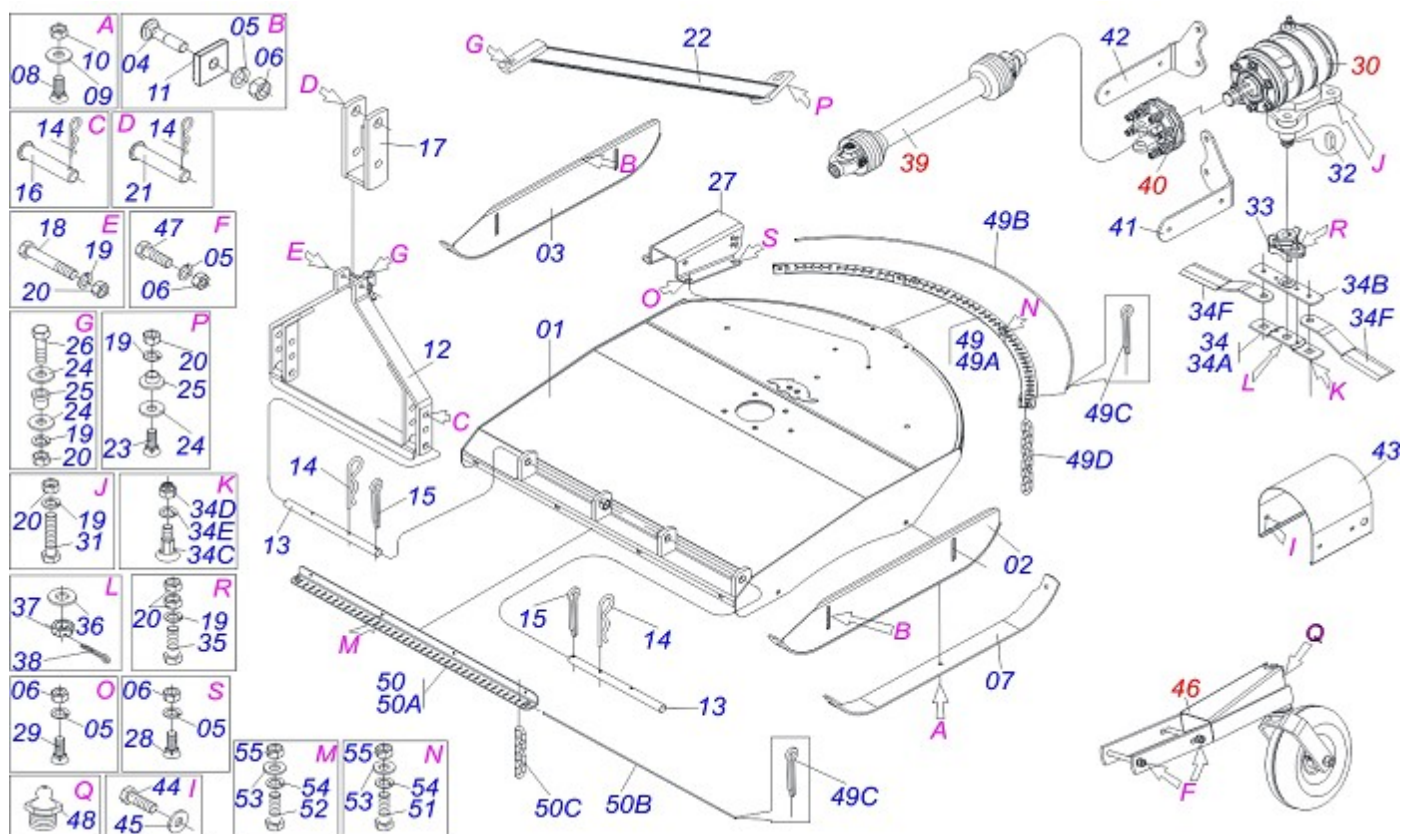


# INDEX

|                      |       |   |
|----------------------|-------|---|
| RC3 1500 FRAME       | ..... | 1 |
|                      | ..... | 2 |
| DRIVE SHAFT          | ..... | 3 |
| CARRYING WHEELS ASSY | ..... | 4 |

**ATTENTION: *IMPORTANT***

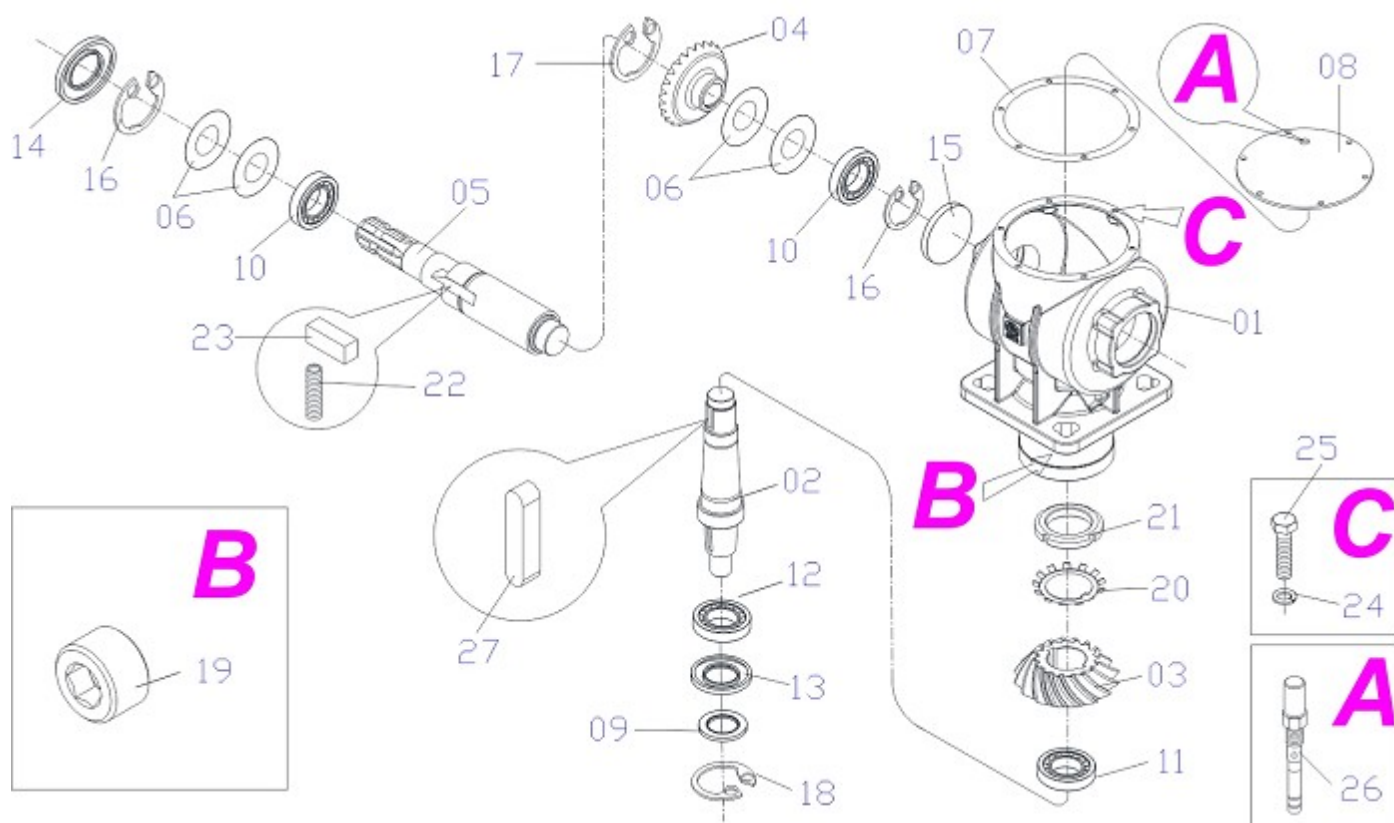
MARCHESAN RESERVES THE RIGHT AT ANY TIME TO MAKE IMPROVEMENTS IN THE DESIGN, MATERIAL OR SPECIFICATIONS OF MACHINERY, EQUIPMENT OR PARTS WITHOUT THEREBY BECOMING LIABLE TO MAKE SIMILAR CHANGES IN MACHINERY, EQUIPMENT OR PARTS PREVIOUSLY SOLD.



| Item | Code       | Description                | QT |
|------|------------|----------------------------|----|
| 01   | 0521062855 | FRAME                      | 01 |
| 02   | 0521062812 |                            | 01 |
| 03   | 0521062811 |                            | 01 |
| 04   | 0501014177 | 5/8" X 2-1/2" BOLT         | 04 |
| 05   | 0503010027 | 5/8" SPRING WASHER         | 10 |
| 06   | 0503010013 | 5/8" NUT                   | 10 |
| 07   | 0531019433 | SKID GUIDE                 | 02 |
| 08   | 0503012956 | 1/2" X 1-1/2" BOLT         | 06 |
| 09   | 0511017302 | FLAT WASHER                | 06 |
| 10   | 0503010020 | 1/2" NUT                   | 06 |
| 11   | 0502010083 | SQUARE WASHER              | 04 |
| 12   | 0521062816 | DRAWBAR                    | 01 |
| 13   | 0571010349 | HITCH AXLE                 | 02 |
| 14   | 0503031035 | HAIR PIN                   | 05 |
| 15   | 0503010010 | 1/4" X 2.1/2" COTTERPIN    | 02 |
| 16   | 0521010596 | 1.1" X 4.7" COUPLING SHAFT | 02 |
| 17   | 0501066445 | PIVOT DOUBLE BAR           | 01 |
| 18   | 0503011198 | 3/4" X 6" BOLT             | 01 |
| 19   | 0503010023 | 3/4" SPRING WASHER         | 09 |
| 20   | 0503010014 | 3/4" NUT                   | 09 |
| 21   | 0521010578 | 0.9" X 4.3" COUPLING SHAFT | 01 |
| 22   | 0521062894 |                            | 01 |
| 23   | 0501018576 | 3/4" X 3" BOLT             | 01 |
| 24   | 0501010322 | FLAT WASHER                | 02 |
| 25   | 0571010353 |                            | 02 |
| 26   | 0501010216 | 3/4" X 4-1/2" BOLT         | 01 |
| 27   | 0571010329 |                            | 01 |
| 28   | 0503013019 | 5/8" X 3-1/4" BOLT         | 02 |
| 29   | 0503012407 | 5/8" X 1-1/2" BOLT         | 02 |
| 30   | 0521040359 |                            | 01 |
| 31   | 0501018576 | 3/4" X 3" BOLT             | 04 |
| 32   | 0501010536 | 0.4" X 1.7" KEYWAY SQUARE  | 02 |
| 33   | 0502012453 | SUPPORT FLANGE             | 01 |



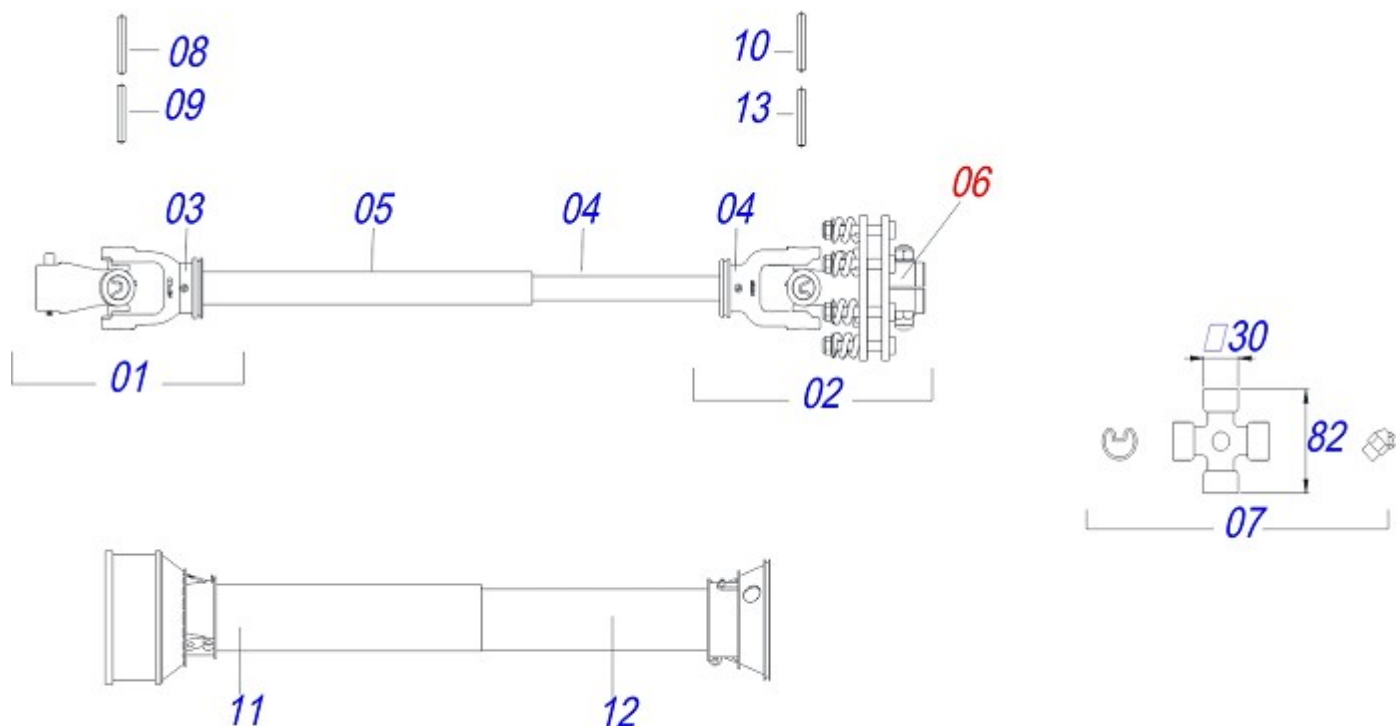
| Item | Code       | Description                        | QT               |
|------|------------|------------------------------------|------------------|
| 34   | 0501056337 |                                    | 01               |
| 34A  | 0561017369 |                                    | 01               |
| 34B  | 0561017307 | SUPPORT UPPER BASE                 | 01               |
| 34C  | 0511019000 | FASTERNER ROCADORES                | 02               |
| 34D  | 0503010812 | 7/8" UNF SELF ADJUSTING NUT        | 02               |
| 34E  | 0503011447 | 7/8" SPRING WASHER                 | 02               |
| 34F  | 0622400054 | 24.5" X 3.94" X 0.5" ROTARY CUTTER | 02               |
| 35   | 0503011328 | 3/4" X 4" BOLT                     | 02               |
| 36   | 0501017779 | FLAT WASHER                        | 01               |
| 37   | 0503010817 | 1.1/4" UNF SELF ADJUSTING NUT      | 01               |
| 38   | 0503010131 | 3/16" X 1-1/2" COTTERPIN           | 01               |
| 39   | 0511051522 | DRIVE SHAFT                        | 01               |
| 40   | 0501043660 | 90 KGM FRICTION                    | 01MUDAR EDINALDO |
| 41   | 0571010459 |                                    | 01               |
| 42   | 0571010458 |                                    | 01               |
| 43   | 0571010457 | PROTECTION COVER CARDAN            | 01               |
| 44   | 0503011087 | 3/8" X 1" BOLT                     | 04               |
| 45   | 0503010025 | 3/8" SPRING WHASHER                | 04               |
| 46   | 0511047301 | CARRYING WHEELS ASSY               | 01               |
| 47   | 0503010795 | 5/8" X 7" BOLT                     | 02               |
| 48   | 0503010002 | GREASE FITTING                     | 01               |
| 49   | 0511051527 | PROTECTION FRONT CHAIN             | 01               |
| 49A  | 0521062833 |                                    | 01               |
| 49B  | 0571010463 | ROD FRONT CHAIN                    | 01               |
| 49C  | 0503010140 | 1/8" X 3/4" COTTERPIN              | 04               |
| 49D  | 0511011774 | 8,00 CHAIN 4 LINK                  | 44               |
| 50   | 0511051528 | REAR PROTECTION CHAIN              | 01               |
| 50A  | 0521062846 |                                    | 01               |
| 50B  | 0571010461 | ROD REAR FIXER CURRENT             | 01               |
| 50C  | 0503013392 | 8,00 CHAIN X 6 LINK                | 49               |
| 51   | 0503010479 | 1/2" X 3" BOLT                     | 04               |
| 52   | 0503010920 | 1/2" X 1.1/2" BOLT                 | 04               |
| 53   | 0541012143 | FLAT WASHER                        | 08               |
| 54   | 0503010019 | 1/2" SPRING WASHER                 | 08               |
| 55   | 0503010060 | 1/2" NUT                           | 08               |



| Item | Code       | Description                         | QT |
|------|------------|-------------------------------------|----|
| 00   | 0521040359 |                                     | 01 |
| 01   | 0502012676 | MULTIPLIER BOX                      | 01 |
| 02   | 0503033563 | PINION SHAFT                        | 01 |
| 03   | 0503033564 | PINION CONICAL 16Z                  | 01 |
| 04   | 0503033565 | 24Z CONICAL GEAR                    | 01 |
| 05   | 0503033566 | GEAR AXLE                           | 01 |
| 06   | 0503033627 | FLAT WASHER                         | 10 |
| 07   | 0503033619 |                                     | 01 |
| 08   | 0561019849 |                                     | 01 |
| 09   | 0561019850 | FLAT WASHER                         | 01 |
| 10   | 0503010750 | 30209 BALL BEARING                  | 02 |
| 11   | 0503010111 | 30210 ROLLER BEARING                | 01 |
| 12   | 0503010113 | 30212 ROLLER BEARING                | 01 |
| 13   | 0503016141 | SEAL RING 9102 70 X 115 X 10 BRG    | 01 |
| 14   | 0503013202 | 6136 SEAL                           | 01 |
| 15   | 0503016143 | SEAL COVER                          | 01 |
| 16   | 0503013200 | 502085 CLAMPING RING (FOR AXLE)     | 02 |
| 17   | 0503011788 | 501062 CLAMPING RING (FOR AXLE)     | 01 |
| 18   | 0503012723 | 502115 RENO RING                    | 01 |
| 19   | 0503012151 | 3/8" BSP PLUG                       | 01 |
| 20   | 0503010210 | LOCK WASHER                         | 01 |
| 21   | 0503010211 | KM- 8 LOCKNUT                       | 01 |
| 22   | 0503030051 | 0.2" X 1" X 0.1" COMPRESSION SPRING | 06 |
| 23   | 0501010649 | RATCHET CLICK                       | 03 |
| 24   | 0503011444 | 5/16" SPRING WASHER                 | 06 |
| 25   | 0503010240 | 5/16" X 3/4" BOLT                   | 06 |
| 26   | 0511051334 |                                     | 01 |
| 27   | 0501010536 | 0.4" X 1.7" KEYWAY SQUARE           | 02 |

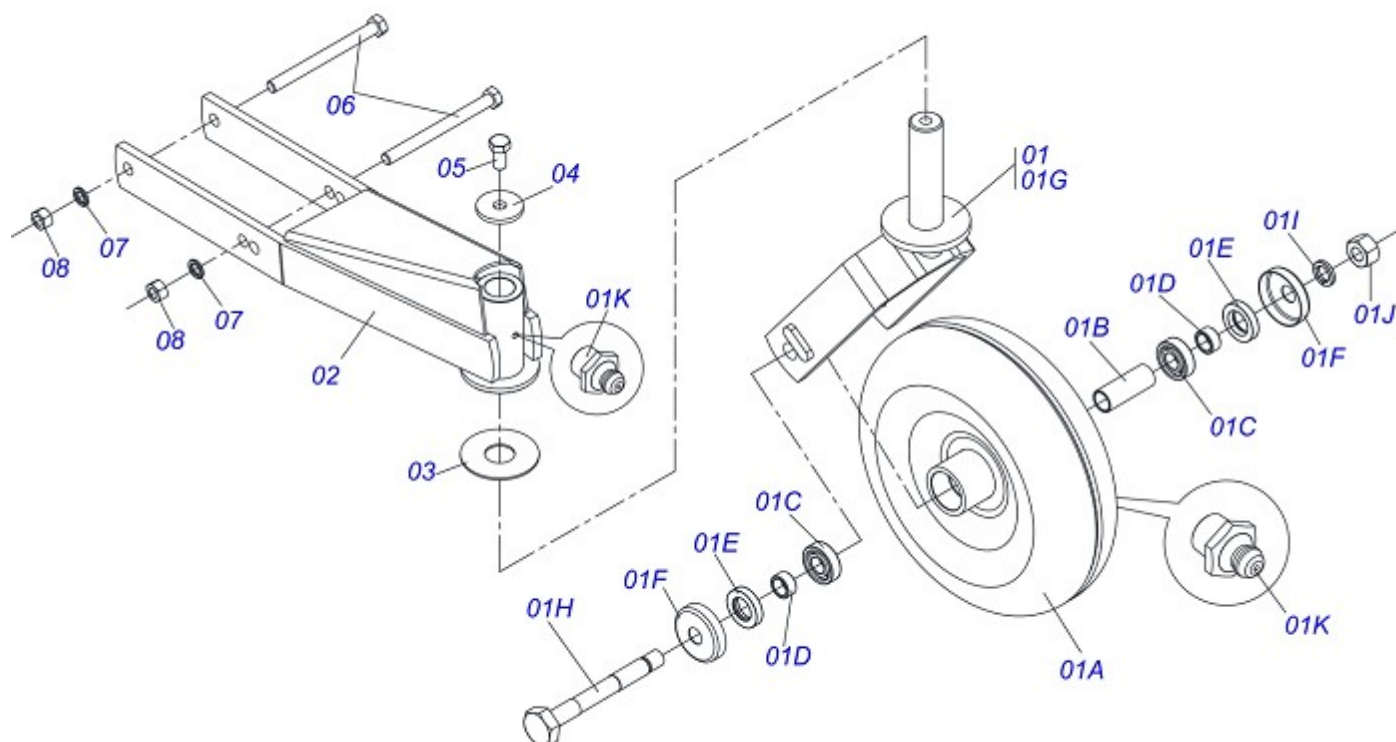


DRIVE SHAFT



| Item | Code       | Description                  | QT |
|------|------------|------------------------------|----|
| 00   | 0511051522 | DRIVE SHAFT                  | 01 |
| 01   | 0503016188 |                              | 01 |
| 02   | 0503014060 | TERMINAL W/SQUARE HOLE       | 01 |
| 03   | 0503014065 | TERMINAL W/ SQUARE HOLE      | 01 |
| 04   | 0503016189 | SQUARE TUBE FEMALE           | 01 |
| 05   | 0503016190 | SQUARE BAR                   | 01 |
| 06   | 0503015156 | FRICTION ASSY                | 01 |
| 07   | 0503012096 | CROSSPIECE                   | 02 |
| 08   | 0503016185 | ELASTIC PIN 10 X 60 002820-6 | 01 |
| 09   | 0503016184 | PIN 10 X 70 005437-3         | 01 |
| 10   | 0503016191 | ELASTIC PIN 06 X 70          | 01 |
| 11   | 0503016173 | FEMALE PROTECTION ASSY       | 01 |
| 12   | 0503016186 | MALE PROTECTION ASSY         | 01 |
| 13   | 0503014074 | ELASTIC PIN                  | 01 |

CARRYING WHEELS ASSY



| Item | Code       | Description               |    |
|------|------------|---------------------------|----|
| 01   | 0501058460 | CARRYING WHEELS FORK      | 01 |
| 01A  | 0501063309 | 13.8" X 4.33" WHEEL ASSY  | 01 |
| 01B  | 0521010460 | 0.9" X 1.1" X 2.9" SLEEVE | 01 |
| 01C  | 0503010269 | 6204 BALL BEARING         | 02 |
| 01D  | 0521010487 | SPACER WASHER             | 02 |
| 01E  | 0503010268 | 00262-B SEAL              | 02 |
| 01F  | 0511014254 | DOOR HOSE                 | 02 |
| 01G  | 0501065266 | WHELL FORK                | 01 |
| 01H  | 0501017143 | WHEEL AXLE                | 01 |
| 01I  | 0503010023 | 3/4" SPRING WASHER        | 01 |
| 01J  | 0503010014 | 3/4" NUT                  | 01 |
| 01K  | 0503010002 | GREASE FITTING            | 02 |
| 02   | 0501069375 | WHEEL SUPPORT             | 01 |
| 03   | 0511013239 | FLAT WASHER               | 01 |
| 04   | 0511010721 | FLAT WASHER               | 01 |
| 05   | 0503010962 | 5/8" X 1-1/4" BOLT        | 01 |
| 06   | 0503010795 | 5/8" X 7" BOLT            | 02 |
| 07   | 0503010027 | 5/8" SPRING WASHER        | 02 |
| 08   | 0503010013 | 5/8" NUT                  | 02 |







**MARCHESAN IMPLEMENTOS E MÁQUINAS AGRÍCOLAS TATU S.A.**  
AV. Marchesan, 1979 - Post office box, 131 - CEP 15994-900 - Matão - SP - Brazil  
Phone +55 16.3382-8282  
(FAX Parts) + 55 16.3382. 8297 - (Export) + 55 16.3382.1003  
e.mail: [tatu@marchesan.com.br](mailto:tatu@marchesan.com.br)    [www.marchesan.com.br](http://www.marchesan.com.br)

*Drafting and Illustration = GASPARI*  
*e.mail = [jgaspari@marchesan.com.br](mailto:jgaspari@marchesan.com.br)*

**ORIGINAL PARTS  
TATU**

