

PARTS CATALOG

ROTARY CUTTERS

RC3 1500 S-0312

Code: 0501091342



Series: S-0312

Review: MARÇO/12

ORIGINAL PARTS
TATU

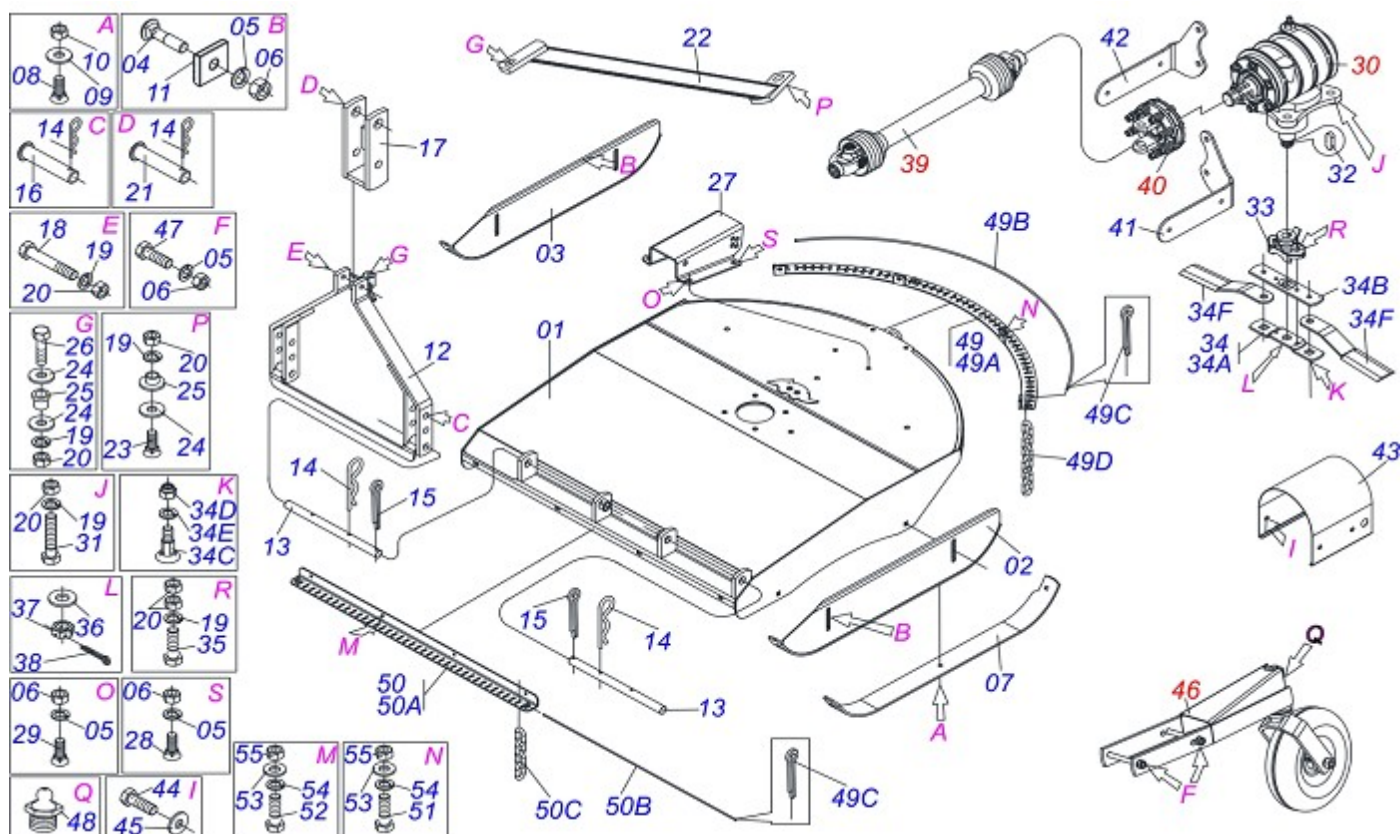


INDEX

RC3 1500 FRAME	1
	2
DRIVE SHAFT	3
CARRYING WHEELS ASSY	4

ATTENTION: IMPORTANT

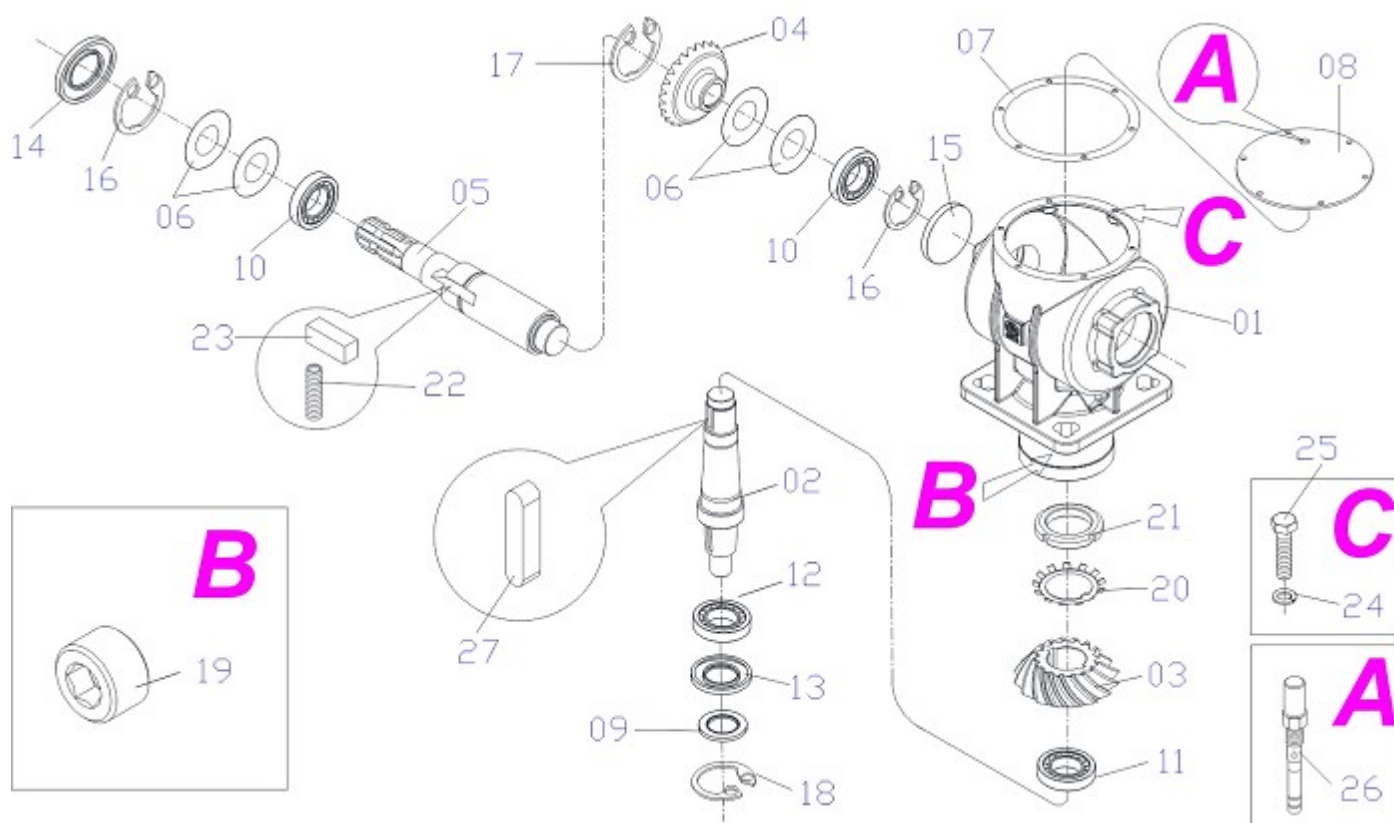
MARCHESAN RESERVES THE RIGHT AT ANY TIME TO MAKE IMPROVEMENTS IN THE DESIGN, MATERIAL OR SPECIFICATIONS OF MACHINERY, EQUIPMENT OR PARTS WITHOUT THEREBY BECOMING LIABLE TO MAKE SIMILAR CHANGES IN MACHINERY, EQUIPMENT OR PARTS PREVIOUSLY SOLD.



Item	Code	Description	QT
01	0521062854	FRAME	01
02	0521062812		01
03	0521062811		01
04	0501014177	5/8" X 2-1/2" BOLT	04
05	0503010027	5/8" SPRING WASHER	10
06	0503010013	5/8" NUT	10
07	0531019433	SKID GUIDE	02
08	0503012956	1/2" X 1-1/2" BOLT	06
09	0511017302	FLAT WASHER	06
10	0503010020	1/2" NUT	06
11	0502010083	SQUARE WASHER	04
12	0521062816	DRAWBAR	01
13	0571010349	HITCH AXLE	02
14	0503031035	HAIR PIN	05
15	0503010010	1/4" X 2.1/2" COTTERPIN	02
16	0521010596	1.1" X 4.7" COUPLING SHAFT	02
17	0501066445	PIVOT DOUBLE BAR	01
18	0503011198	3/4" X 6" BOLT	01
19	0503010023	3/4" SPRING WASHER	09
20	0503010014	3/4" NUT	09
21	0521010578	0.9" X 4.3" COUPLING SHAFT	01
22	0521062893		01
23	0501018576	3/4" X 3" BOLT	01
24	0501010322	FLAT WASHER	02
25	0571010353		02
26	0501010216	3/4" X 4-1/2" BOLT	01
27	0571010329		01
28	0503013019	5/8" X 3-1/4" BOLT	02
29	0503012407	5/8" X 1-1/2" BOLT	02
30	0521040359		01
31	0501018576	3/4" X 3" BOLT	04
32	0501010536	0.4" X 1.7" KEYWAY SQUARE	02
33	0502012453	SUPPORT FLANGE	01

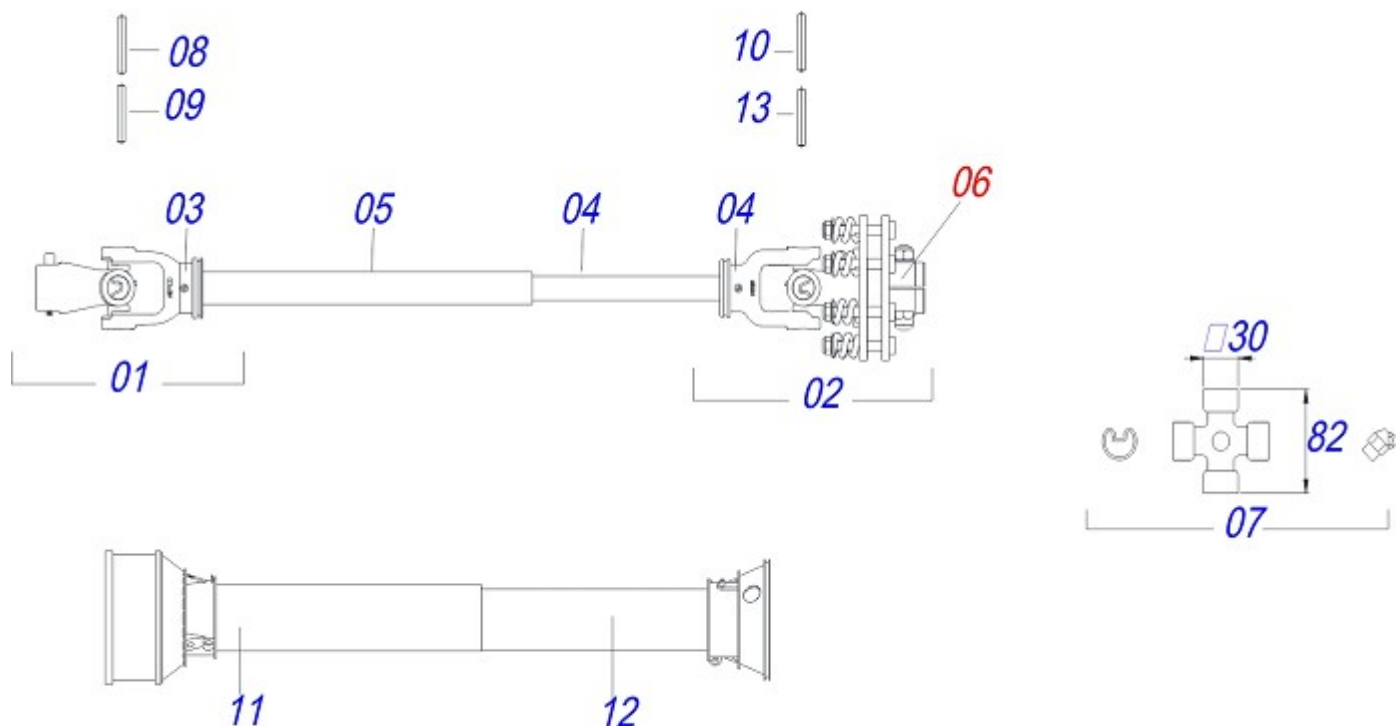


Item	Code	Description	QT
34	0501056321	SUPPORT ROTARY CUTTER BLADES	01
34A	0561017368	ROTARY LOWER SUPPORT	01
34B	0561017308	SUPPORT UPPER BASE	01
34C	0511019000	FASTERNER ROCADORES	02
34D	0503010812	7/8" UNF SELF ADJUSTING NUT	02
34E	0503011447	7/8" SPRING WASHER	02
34F	0622400054	24.5" X 3.94" X 0.5" ROTARY CUTTER	02
35	0503011328	3/4" X 4" BOLT	02
36	0501017779	FLAT WASHER	01
37	0503010817	1.1/4" UNF SELF ADJUSTING NUT	01
38	0503010131	3/16" X 1-1/2" COTTERPIN	01
39	0511051522	DRIVE SHAFT	01
40	0503015156	FRICION ASSY	01
41	0571010459		01
42	0571010458		01
43	0571010457	PROTECTION COVER CARDAN	01
44	0503011087	3/8" X 1" BOLT	04
45	0503010025	3/8" SPRING WHASHER	04
46	0511047301	CARRYING WHEELS ASSY	01
47	0503010795	5/8" X 7" BOLT	02
48	0503010002	GREASE FITTING	01
49	0511051524	PROTECTION FRONT CHAIN	01
49A	0521062830		01
49B	0571010462	ROD FRONT CHAIN	01
49C	0503010140	1/8" X 3/4" COTTERPIN	04
49D	0511011774	8,00 CHAIN 4 LINK	39
50	0511051523	REAR PROTECTION CHAIN	01
50A	0521062831		01
50B	0571010460	ROD REAR FIXER CURRENT	01
50C	0503013392	8,00 CHAIN X 6 LINK	49
51	0503010479	1/2" X 3" BOLT	04
52	0503010920	1/2" X 1.1/2" BOLT	04
53	0541012143	FLAT WASHER	08
54	0503010019	1/2" SPRING WASHER	08
55	0503010060	1/2" NUT	08



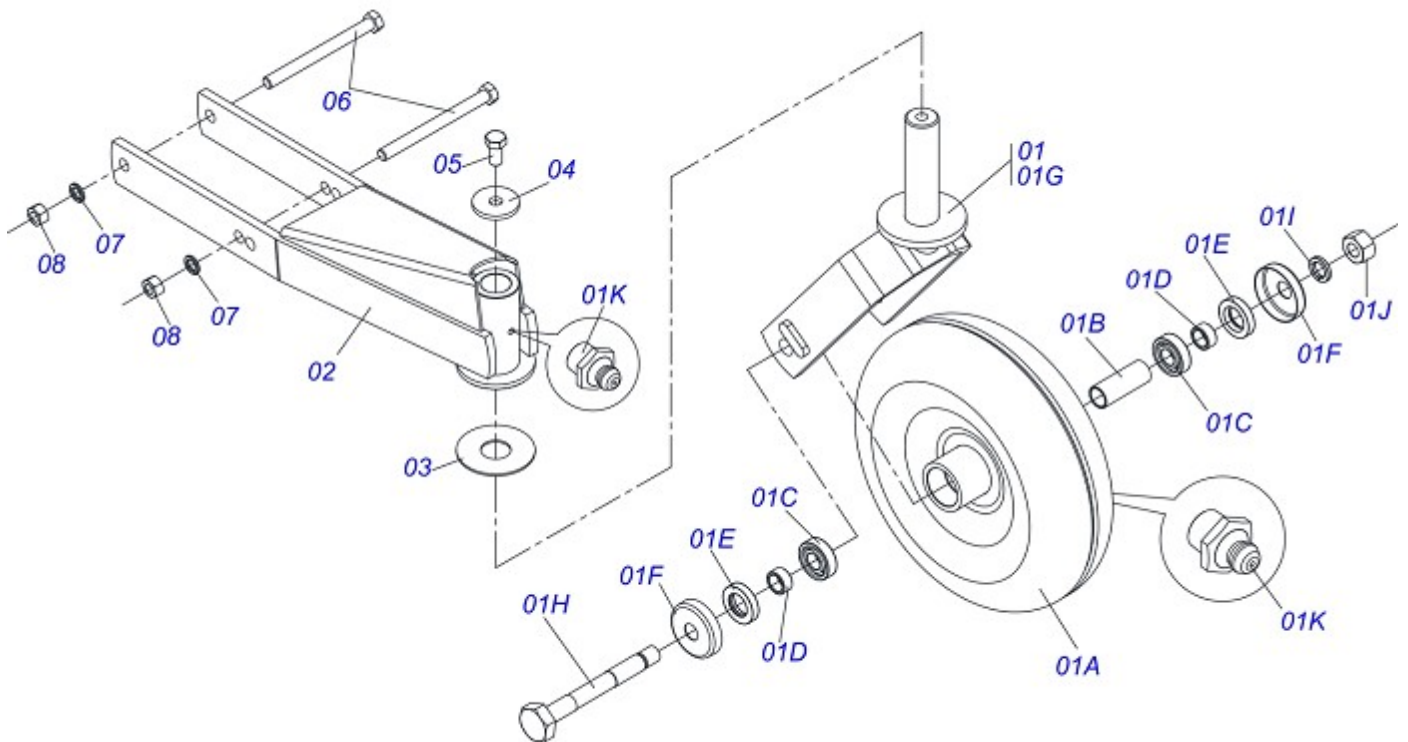
Item	Code	Description	QT
00	0521040359		01
01	0502012676	MULTIPLIER BOX	01
02	0503033563	PINION SHAFT	01
03	0503033564	PINION CONICAL 16Z	01
04	0503033565	24Z CONICAL GEAR	01
05	0503033566	GEAR AXLE	01
06	0503033627	FLAT WASHER	10
07	0503033619		01
08	0561019849		01
09	0561019850	FLAT WASHER	01
10	0503010750	30209 BALL BEARING	02
11	0503010111	30210 ROLLER BEARING	01
12	0503010113	30212 ROLLER BEARING	01
13	0503016141	SEAL RING 9102 70 X 115 X 10 BRG	01
14	0503013202	6136 SEAL	01
15	0503016143	SEAL COVER	01
16	0503013200	502085 CLAMPING RING (FOR AXLE)	02
17	0503011788	501062 CLAMPING RING (FOR AXLE)	01
18	0503012723	502115 RENO RING	01
19	0503012151	3/8" BSP PLUG	01
20	0503010210	LOCK WASHER	01
21	0503010211	KM- 8 LOCKNUT	01
22	0503030051	0.2" X 1" X 0.1" COMPRESSION SPRING	06
23	0501010649	RATCHET CLICK	03
24	0503011444	5/16" SPRING WASHER	06
25	0503010240	5/16" X 3/4" BOLT	06
26	0511051334		01
27	0501010536	0.4" X 1.7" KEYWAY SQUARE	02

DRIVE SHAFT



Item	Code	Description	QT
00	0511051522	DRIVE SHAFT	01
01	0503016188		01
02	0503014060	TERMINAL W/SQUARE HOLE	01
03	0503014065	TERMINAL W/ SQUARE HOLE	01
04	0503016189	SQUARE TUBE FEMALE	01
05	0503016190	SQUARE BAR	01
06	0503015156	FRICTION ASSY	01
07	0503012096	CROSSPIECE	02
08	0503016185	ELASTIC PIN 10 X 60 002820-6	01
09	0503016184	PIN 10 X 70 005437-3	01
10	0503016191	ELASTIC PIN 06 X 70	01
11	0503016173	FEMALE PROTECTION ASSY	01
12	0503016186	MALE PROTECTION ASSY	01
13	0503014074	ELASTIC PIN	01

CARRYING WHEELS ASSY



Item	Code	Description	
01	0501058460	CARRYING WHEELS FORK	01
01A	0501063309	13.8" X 4.33" WHEEL ASSY	01
01B	0521010460	0.9" X 1.1" X 2.9" SLEEVE	01
01C	0503010269	6204 BALL BEARING	02
01D	0521010487	SPACER WASHER	02
01E	0503010268	00262-B SEAL	02
01F	0511014254	DOOR HOSE	02
01G	0501065266	WHELL FORK	01
01H	0501017143	WHEEL AXLE	01
01I	0503010023	3/4" SPRING WASHER	01
01J	0503010014	3/4" NUT	01
01K	0503010002	GREASE FITTING	02
02	0501069375	WHEEL SUPPORT	01
03	0511013239	FLAT WASHER	01
04	0511010721	FLAT WASHER	01
05	0503010962	5/8" X 1-1/4" BOLT	01
06	0503010795	5/8" X 7" BOLT	02
07	0503010027	5/8" SPRING WASHER	02
08	0503010013	5/8" NUT	02



MARCHESAN

MARCHESAN IMPLEMENTOS E MÁQUINAS AGRÍCOLAS TATU S.A.

AV. Marchesan, 1979 - Post office box, 131 - CEP 15994-900 - Matão - SP - Brazil

Phone +55 16.3382-8282

(FAX Parts) + 55 16.3382. 8297 - (Export) + 55 16.3382.1003

e.mail: tatu@marchesan.com.br www.marchesan.com.br

*Drafting and Illustration = GASPARI
e.mail = jgaspari@marchesan.com.br*

**ORIGINAL PARTS
TATU**



MARCHESAN