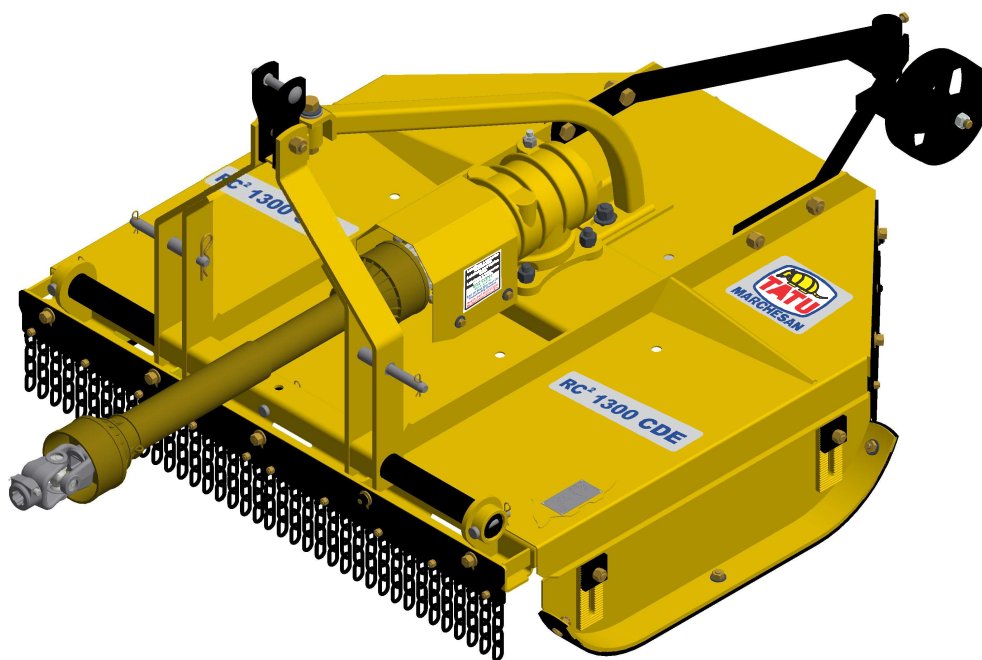


PARTS CATALOG

ROTARY CUTTERS

RC2 1300 CDE

Code: 0501091341



Series: S-0214

Rev.: 00

Date Rev.: AGOSTO/2019

ORIGINAL PARTS
TATU



PRODUCTS

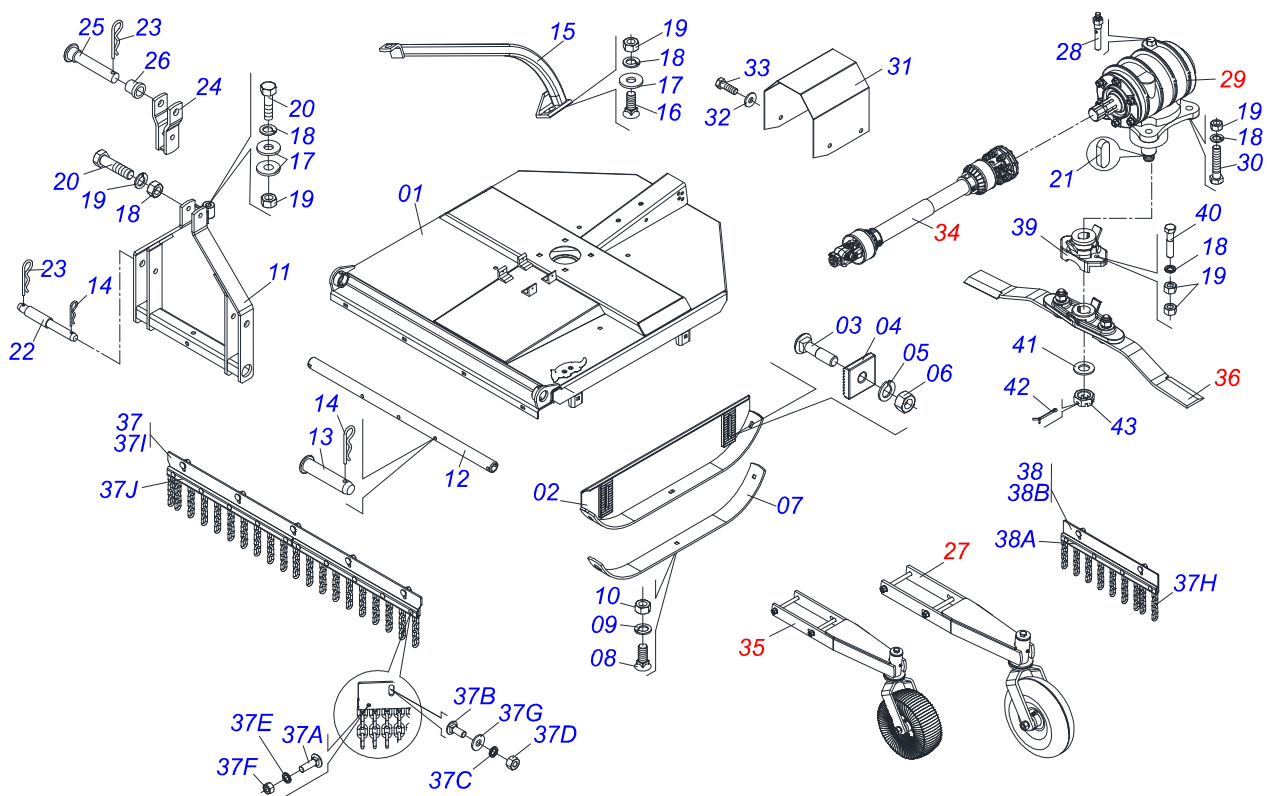
Code	Description
0104020010	RC2 1300CENT/DIR/ESQ C/R C/PRT S214
0104020011	RC2 1300CENT/DIR/ESQ S/R C/PRT S214

ATTENTION: **IMPORTANT**

MARCHESAN S/A RESERVES THE RIGHT AT ANY TIME TO MAKE IMPROVEMENTS IN THE DESIGN, MATERIAL OR SPECIFICATIONS OF MACHINERY, EQUIPMENT OR PARTS WITHOUT THEREBY BECOMING LIABLE TO MAKE SIMILAR CHANGES IN MACHINERY, EQUIPMENT OR PARTS PREVIOUSLY SOLD.

INDEX

0909090581	FRAME ASSY	1
0501056322	SUPPORT ROTARY CUTTER BLADES	2
0511047301	CARRYING WHEELS ASSY	3
0501043642	RUBBER WHEEL ASSY	4
0501047949	DRIVE SHAFT	5
0501043660	FRICITION	6
0501046851	MULTIPLIER	7

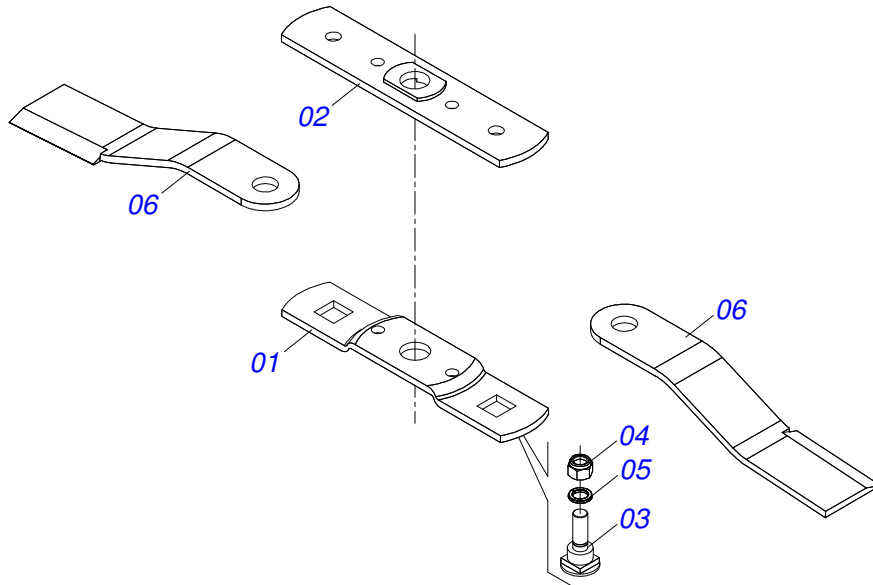


Item	Code	Description	See page	QT
01	0521064542	FRAME		01
02	0521066191	SKATE 1270 RO2 1700		02
03	0501014177	5/8" X 2-1/2" BOLT		04
04	1902010083	SQUARE WASHER		04
05	0503010027	SPRING WASHER		06
06	0503010013	5/8" NUT		06
07	0531019433	SKID GUIDE		02
08	0503012956	1/2" X 1-1/2" BOLT		06
09	0511017302	FLAT WASHER		06
10	0503010020	1/2"NUT		06
11	0511067766	DRAWBAR		01
12	0551011719	PIVOT FIXER TUBE		01
13	0551011714	COUPLING SHAFT		03
14	0503030168	HAIR PIN		05
15	0521065849	ATTACHMENT BAR		01
16	0501017305	3/4" X 2-1/4" BOLT		01
17	0501010322	FLAT WASHER		02
18	0503010023	SPRING WASHER		07
19	0503010014	3/4" NUT		07
20	0501010216	3/4" X 4-1/2" BOLT		02
21	0501010536	KEYWAY SQUARE		02
22	0521013311	RC2 1300 AXLE		02
23	0503031035	HAIR PIN		03
24	0501060330	PIVOT DOUBLE BAR		01
25	0521013938	HITCH AXLE		01
26	0521010443	1" SLEEVE		01
27	0511047301	CARRYING WHEELS ASSY	3	01
28	0501110186	OIL SMALLER LEVEL INDICATOR		01
29	0501046851	MULTIPLIER	7	01
30	0503013122	3/4" X 4-1/4" BOLT		04
31	0531017832	PROTECTION COVER		01

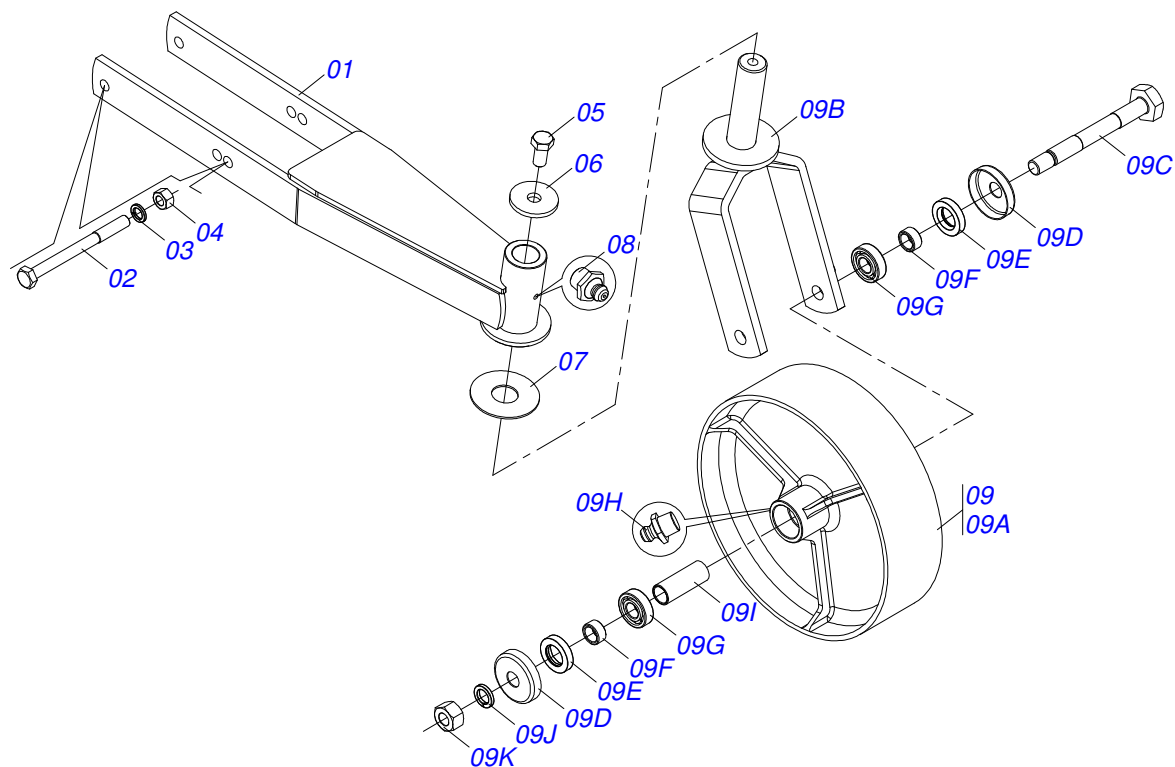


RC2 1300 CDE
FRAME ASSY

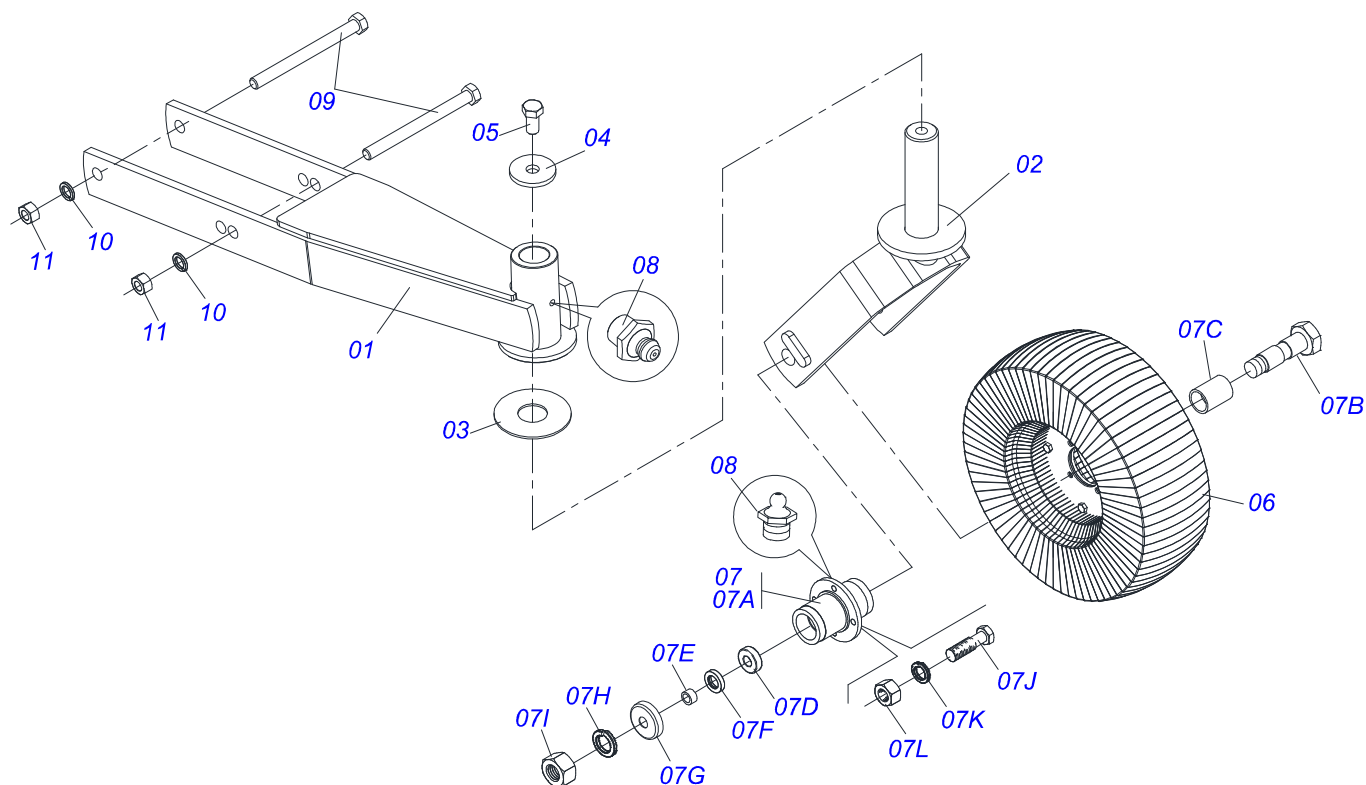
Item	Code	Description	See page	QT
32	0503010025	3/8 SPRING WASHER		04
33	0503010256	3/8" X 3/4" BOLT		04
34	0501047949	DRIVE SHAFT	5	01
35	0501043642	RUBBER WHEEL ASSY	4	01
36	0501056322	SUPPORT ROTARY CUTTER BLADES	2	01
37	0511054732	PROTECTION COVER		01
37A	0501010942	3/8" X 1-1/4" BOLT		22
37B	0501011600	1/2" X 1-1/4" BOLT		11
37C	0503010019	1/2" SPRING WASHER		11
37D	0503010020	1/2"NUT		11
37E	0503010025	3/8 SPRING WASHER		22
37F	0503010026	3/8" NUT		22
37G	0511017302	FLAT WASHER		11
37H	0511011774	8,00 CHAIN 4 LINK		86
37I	0571015427	CHAIN PROTECTION BODY		01
37J	0571015430	CLAW PROTECTION CHAIN		02
38	0511054751	CURRENT PROTECTION		02
38A	0571015267	CLAW PROTECTION CHAIN		03
38B	0571015268	CHAIN PROTECTION BODY		03
39	0502012453	SUPPORT FLANGE		01
40	0503010901	3/4UNC 3.1/2 BOLT		02
41	0501017779	FLAT WASHER		01
42	0503010131	3/16" X 1-1/2" COTTERPIN		01
43	0503011052	1.1/4" X 0.77" CASTLE NUT		01



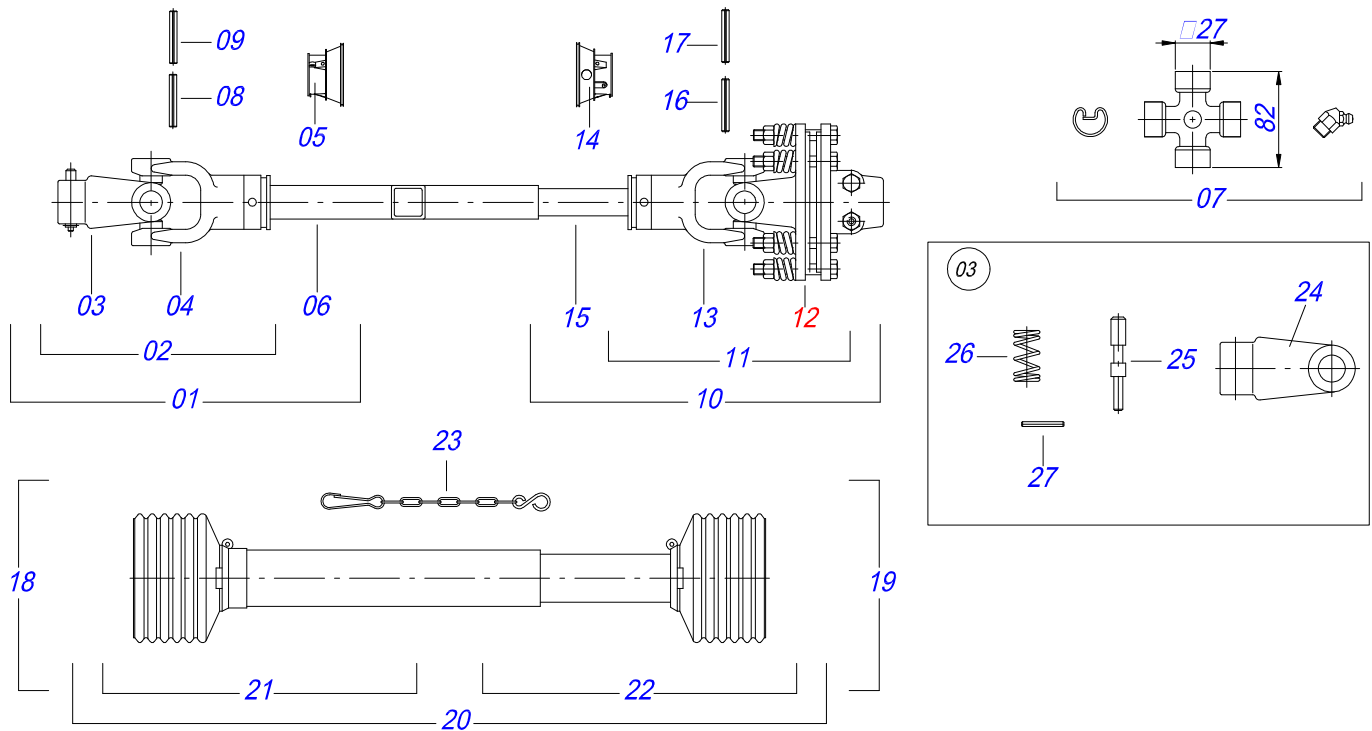
Item	Code	Description	See page	QT
01	0561017368	ROTARY LOWER SUPPORT		01
02	0561017308	SUPPORT UPPER BASE		01
03	0511019000	BOLT		02
04	0503010812	7/8" SELF-ADJUSTING NUT		02
05	0503011447	SPRING WASHER		02
06	0622400053	20.5" X 3.94" X 0.5" ROTARY CUTTER		02



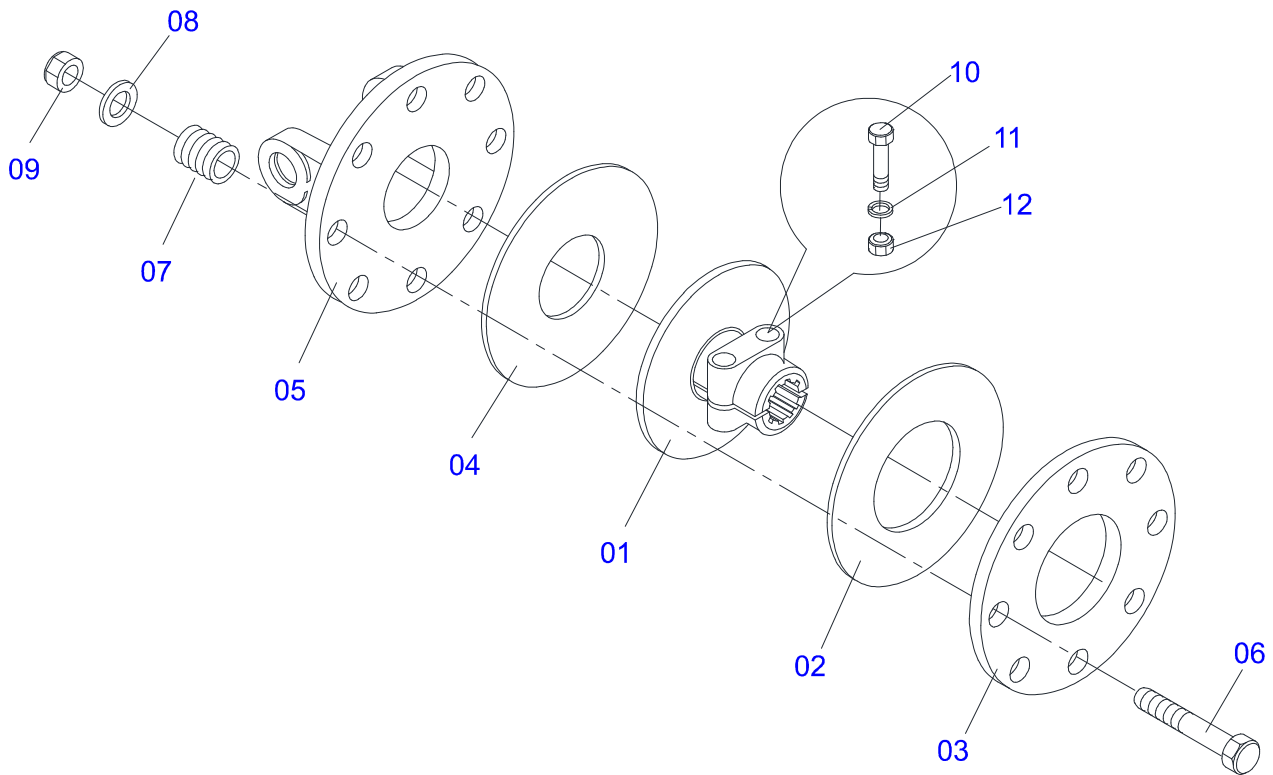
Item	Code	Description	See page	QT
01	0521065281	WHEEL SUPPORT		01
02	0503010795	5/8" X 7" BOLT		02
03	0503010027	SPRING WASHER		02
04	0503010013	5/8" NUT		02
05	0503010962	5/8" X 1-1/4" BOLT		01
06	0511010721	FLAT WASHER		01
07	0511013239	FLAT WASHER		01
08	0503010002	1800 GREASE FITTING		01
09	0501058460	CARRYING WHEELS		01
09A	0502012519	350 X 100 WHEEL ASSY		01
09B	0501065266	WHELL FORK		01
09C	0501017143	WHEEL AXLE		01
09D	0511014254	DUST CLOAK		02
09E	0503010268	00262-B SEAL		02
09F	0521010487	SPACER WASHER		02
09G	0503010269	6204 BALL BEARING		02
09H	0503010002	1800 GREASE FITTING		01
09I	0521010460	0.9" X 1.1" X 2.9" SLEEVE		01
09J	0503011442	3/4" SPRING WASHER		01
09K	0503010014	3/4" NUT		01



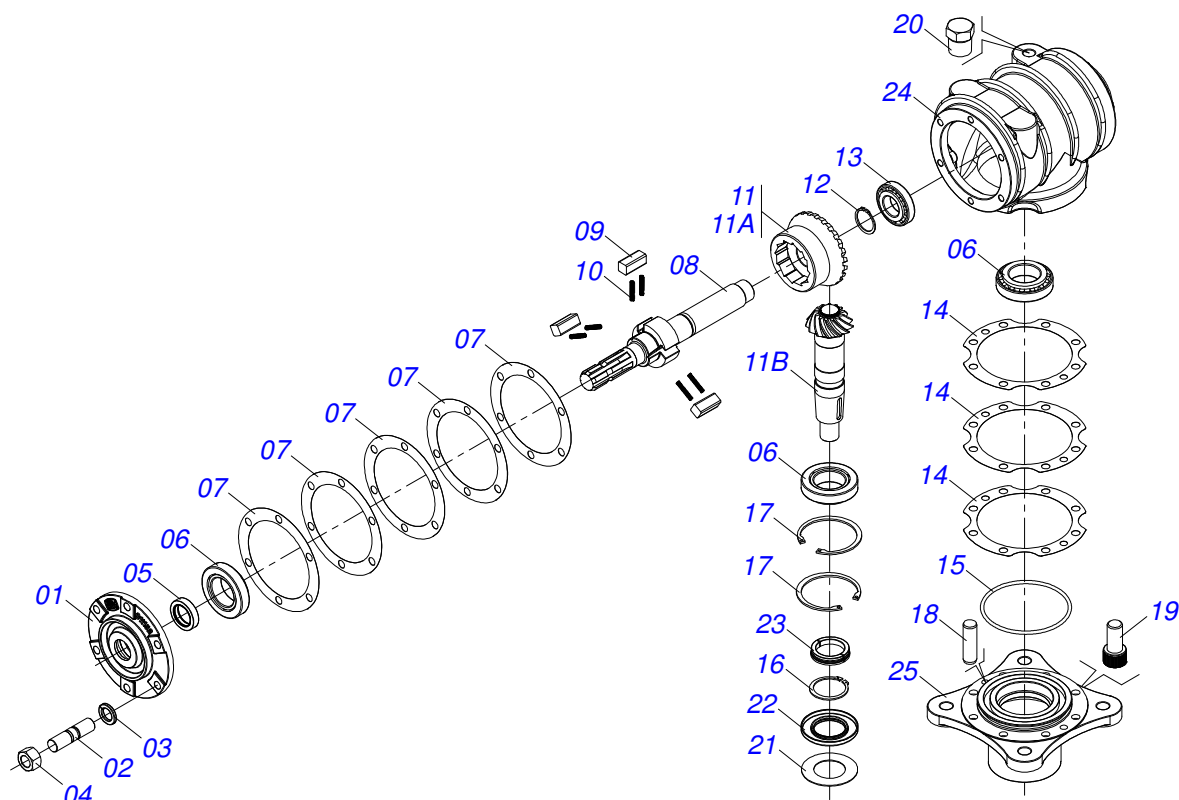
Item	Code	Description	See page	QT
01	0501069375	WHEEL SUPPORT		01
02	0501065266	WHELL FORK		01
03	0511013239	FLAT WASHER		01
04	0511010721	FLAT WASHER		01
05	0503010962	5/8" X 1-1/4" BOLT		01
06	0501050433	TIRE WHELL		01
07	0501051587	WHEELS BOX ASSY		01
07A	0502011286	WHEELS BOX ASSY		01
07B	0501017143	WHEEL AXLE		01
07C	0521010460	0.9" X 1.1" X 2.9" SLEEVE		01
07D	0503010269	6204 BALL BEARING		02
07E	0521010487	SPACER WASHER		02
07F	0503010268	00262-B SEAL		02
07G	0511014254	DUST CLOAK		01
07H	0503010023	SPRING WASHER		01
07I	0503010014	3/4" NUT		04
07J	0501010080	3/8" BOLT		04
07K	0503010025	3/8" SPRING WASHER		04
07L	0503010026	3/8" NUT		02
08	0503010002	1800 GREASE FITTING		01
09	0503010795	5/8" X 7" BOLT		02
10	0503010027	SPRING WASHER		02
11	0503010013	5/8" NUT		02



Item	Code	Description	See page	QT
01	0501051715	UNIVERSAL JOINT		01
02	0501050265	UNIVERSAL JOINT		01
03	0501050333	1-40 TERMINAL WITH HITCH		01
04	0502010565	2-40 TERMINAL W/ SH 1.5"/1.5"		01
05	0503012069	ADAPTER FOR BUSHING PROTECT		01
06	0501017429	31" X 1.5" SQUARE SLEEVE		01
07	0503010836	CARDAN CROSSPIECE		02
08	0503011069	0.4" X 2.8" SPRING PIN		01
09	0503010510	0.2" X 2.6" SPRING PIN		01
10	0501051716	UNIVERSAL JOINT WITH SHAFT		01
11	0501050466	UNIVERSAL JOINT WITH CROSSPIECE		01
12	0501043660	FRICITION	6	01
13	0502010566	3-40 TERMINAL W/ SH 1.2"/1.2"		01
14	0503012070	ADAPTER FOR AXLE PROTECTION		01
15	0501017425	1.2" X 31.5" SQUARE SHAFT		01
16	0503010361	SPRING PIN		01
17	0503010756	0.2" X 2.4" SPRING PIN		01
18	0501051701	UNIVERSAL JOINT WITH SLEEVE/PROT		01
19	0501051702	UNIVERSAL JOINT WITH AXLE/PROT		01
20	0503012077	PROTECTION ASSY		01
21	0503012078	PROTECTION FOR UNIV JOINT AND SLEEV		01
22	0503012079	PROTECTION FOR UNIV JOINT AND AXLE		01
23	0503012023	CHAIN FOR UNIV JOINT PROTECTION		02
24	0502010563	1-40 STRIATED 1.3/8" TERMINAL		01
25	0521010638	0.5" X 3.3" QUIC HITCH COUPL SHAFT		01
26	0503030518	0.5"X1.0"X 0.1" COMPRESSION SPRING		01
27	0503010838	0.1" X 0.8" SPRING PIN		01



Item	Code	Description	See page	QT
01	0503011869	CENTRAL FLANGE		01
02	0503031478	OUTER FRICTION DISC		01
03	0503011870	REAR FLANGE		01
04	0503031474	INNER FRICTION DISC		01
05	0503011868	FRONT FLANGE		01
06	0503010752	1/2" X 3.1/2" BOLT		08
07	0503030630	1.02"X1.3"X0.2" COMPRESSION SPRING		08
08	0511017302	FLAT WASHER		08
09	0503011336	1/2" HEX SELF ADJUSTING NUT		08
10	0503010741	1/2" X 2-3/4" BOLT		02
11	0503010019	1/2" SPRING WASHER		02
12	0503010060	1/2" NUT		02



Item	Code	Description	See page	QT
01	0502011152	SMALLER COVER		01
02	0503030084	1/2" X 1/2" X 2.0" STUD		06
03	0503011440	SPRING WASHER		06
04	0503010028	1/2" NUT		06
05	0503011171	00912-BRG SEAL		01
06	0503010006	32210 ROLLER BEARING		03
07	0503030783	7.1" X 5.3" X 0.008" JOINT		05
08	0503050063	UPPER AXLE		01
09	0501010649	RATCHET CLICK		03
10	0503030051	0.2" X 1" X 0.1" COMPRESSION SPRING		06
11	0503060210	CROWN PINION SET		01
11A	0503050074	25Z CONICAL GEAR		01
11B	0503061048	PINION		01
12	0503010217	501040 CLAMPING RING (FOR AXLE)		01
13	0503010037	30207 ROLLER BEARING		01
14	0503030785	7.9" X 5.9" X 0.008" JOINT		03
15	0503010286	2-355 N 3006-9B O'RING		01
16	0503010396	501060 CLAMPING RING (FOR AXLE)		01
17	0503011190	SEAL RING		02
18	0503017877	PIN GUIDE		02
19	0503010562	1/2" X 1" BOLT		08
20	0503031604	1/2" BSP PLUG		01
21	0521018064	FLAT WASHER		01
22	0503011047	5089 SEAL		01
23	0511010142	LOCK RING		01
24	0502010984	LEFT MULTIPLIER BOX		01
25	0502011393	LOWER HUB		01



MARCHESAN IMPLEMENTOS E MÁQUINAS AGRÍCOLAS TATU S.A.
AV. Marchesan, 1979 - Post office box, 131 - CEP 15994-900 - Matão - SP - Brazil
Phone +55 16.3382-8282
(FAX Parts) + 55 16.3382. 8297 - (Export) + 55 16.3382.1003
e.mail: tatu@marchesan.com.br www.marchesan.com.br

Technical Publications: Elaboration

LUIZ CANDIDO

Technical Publications: Revision

ALESSANDRA PATRICIA KAWAHARA CARRILI

Contact Catálogo:

E-mail = jgaspari@marchesan.com.br

**ORIGINAL PARTS
TATU**

