

PARTS CATALOGUE



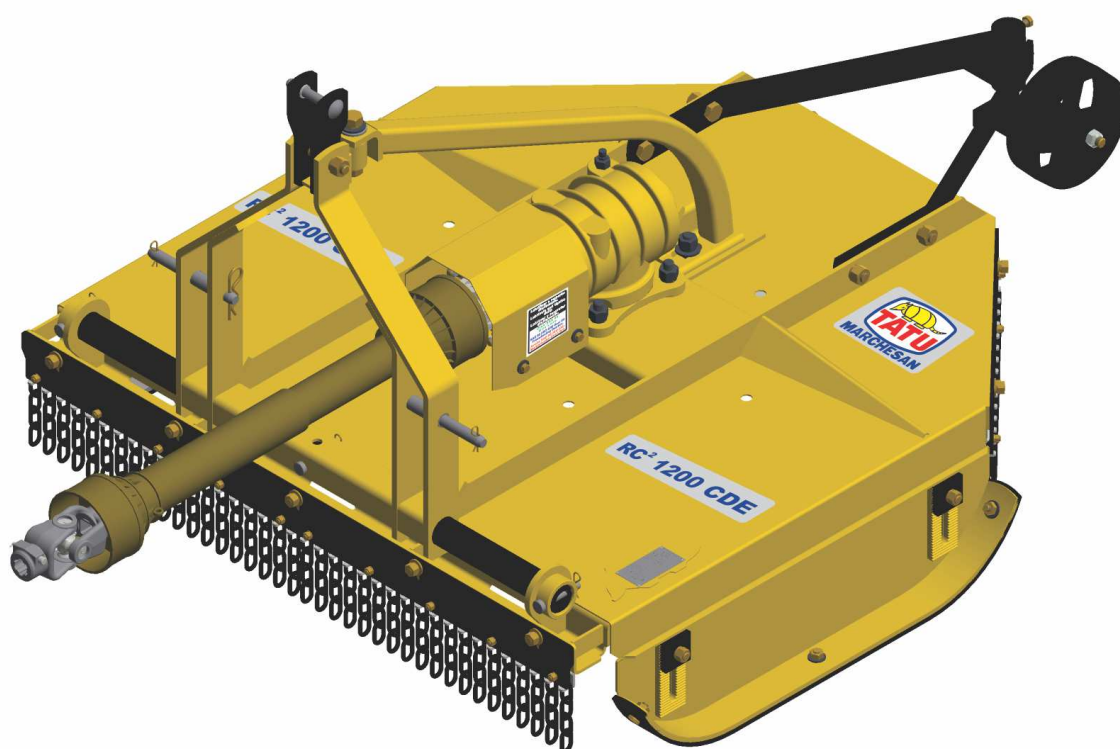
ROTARY CUTTERS

Code:

0501091340

Product:

RC2 1200 CDE



Series:

S-0214

Revision:

00

Date Revision:

JANEIRO/2021



PRODUCTS

Code	Description
0104020045	RC2 1200CENT/DIR/ESQ C/R C/PRT S214
0104020046	RC2 1200CENT/DIR/ESQ S/R C/PRT S214

ATTENTION: IMPORTANT

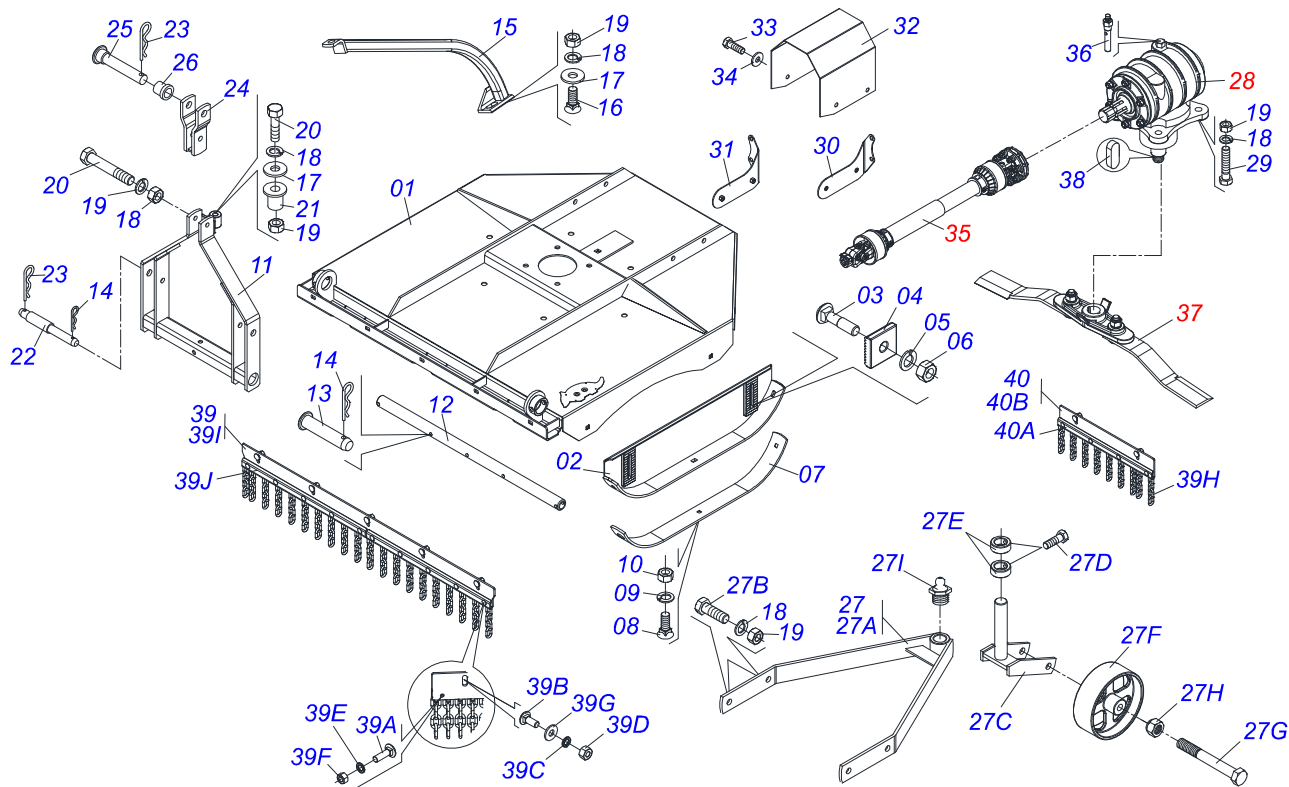
Marchesan S.A. reserves the right to improve and / or modify the technical features of its products, without obligation to do the same with those products already sold and without prior knowledge of the dealer or the consumer.



MARCHESAN

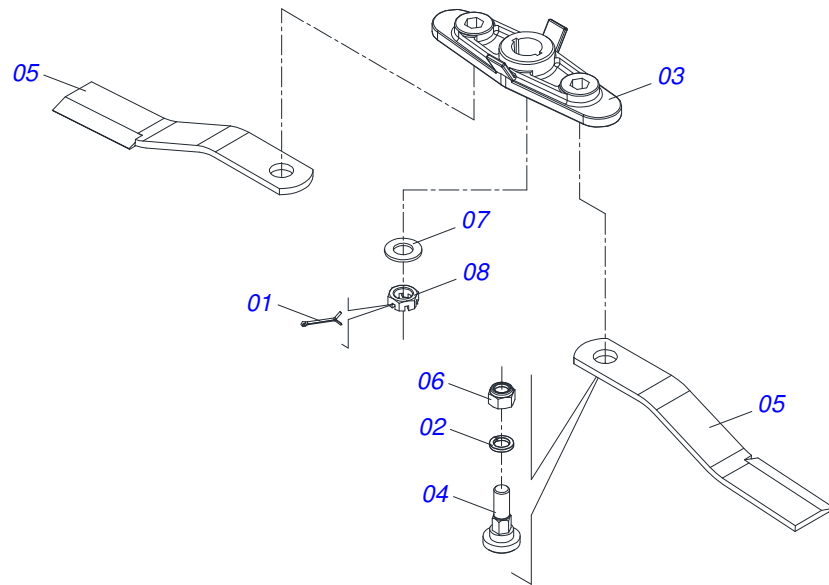
INDEX

0909090576	FRAME ASSY	1
0531050565	SUPPORT ROTARY CUTTER WITH 04 CUTTER	2
0501047949	DRIVE SHAFT	3
0909090701	CARDAN 40 X 800 T1/FRI CP 0501047949 (STU)	4
0501043660	FRICTION	5
0501046851	MULTIPLIER	6
0909091430	(SHEET METAL SUPPORT)SPARE	7

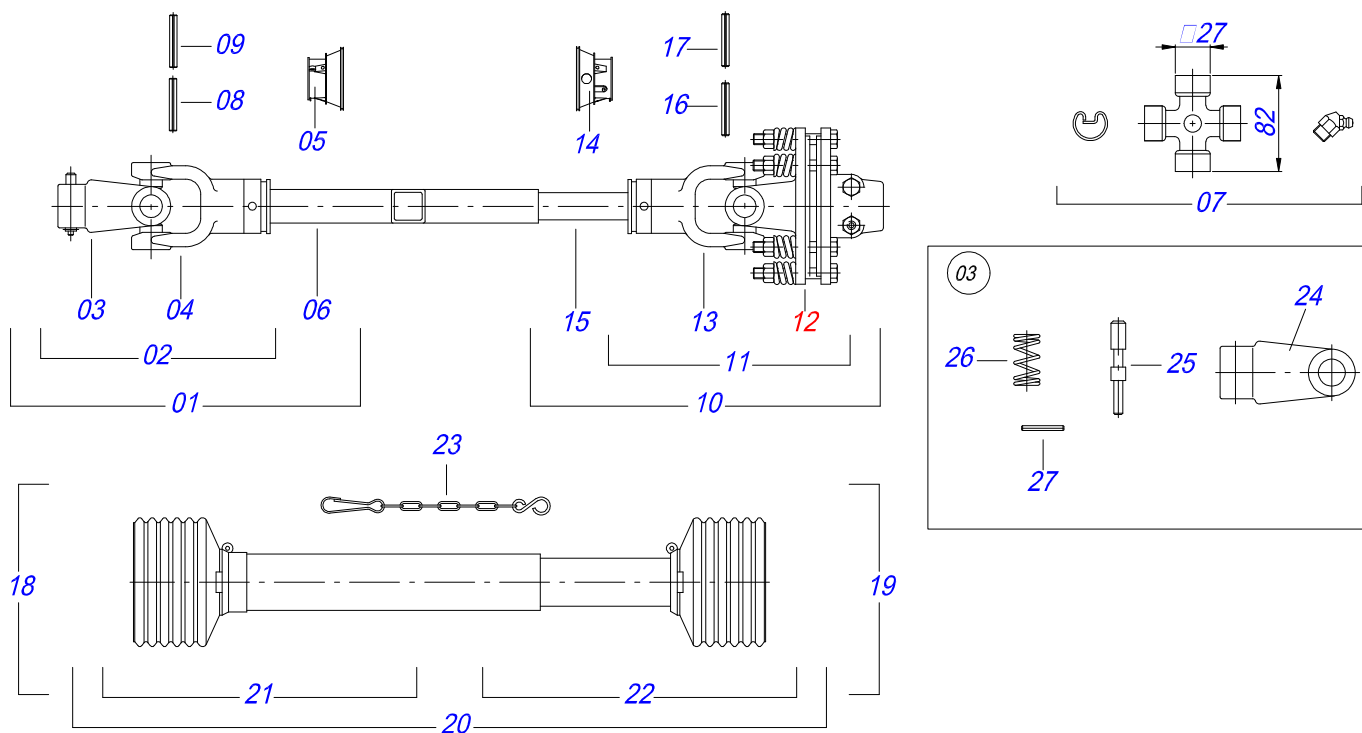


Item	Code	Description	See page	QT
01	0521064702	FRAME	01	01
02	0511064760	930 SKID	02	02
03	0501014177	5/8" X 2-1/2" BOLT	04	04
04	1902010083	SQUARE WASHER	04	04
05	0503010027	5/8" SPRING WASHER	04	04
06	0503010013	5/8" NUT	04	04
07	0561011661	SKID GUIDE	02	02
08	0503012956	1/2" X 1-1/2" BOLT	06	06
09	0511017302	FLAT WASHER	06	06
10	0503010020	1/2"NUT	06	06
11	0511067766	DRAWBAR	01	01
12	0561011662	PIVOT FIXER TUBE	01	01
13	0551011714	COUPLING SHAFT	03	03
14	0503030168	HAIR PIN	05	05
15	0521060420	FRENCH HAND	01	01
16	0501017305	3/4" X 2-1/4" BOLT	01	01
17	0501010322	FLAT WASHER	02	02
18	0503010023	3/4" SPRING WASHER	07	07
19	0503010014	3/4" NUT	07	07
20	0501010216	3/4" X 4-1/2" BOLT	02	02
21	0561011699	SLEVE FIXATION	01	01
22	0521013311	RC2 1300 AXLE	02	02
23	0503031035	HAIR PIN	03	03
24	0501060330	PIVOT DOUBLE BAR	01	01
25	0521013938	HITCH AXLE	01	01
26	0521010443	1" SLEEVE	01	01
27	0501058820	SET WHEEL ASSY	01	01
27A	0511069419	DEPTH ARM FIXER	01	01
27B	0501010098	3/4" UNC BOLT	04	04
27C	0511069421	REAR WHEELS FORK	01	01
27D	0501018535	1/2 X 1 BOLT	02	02

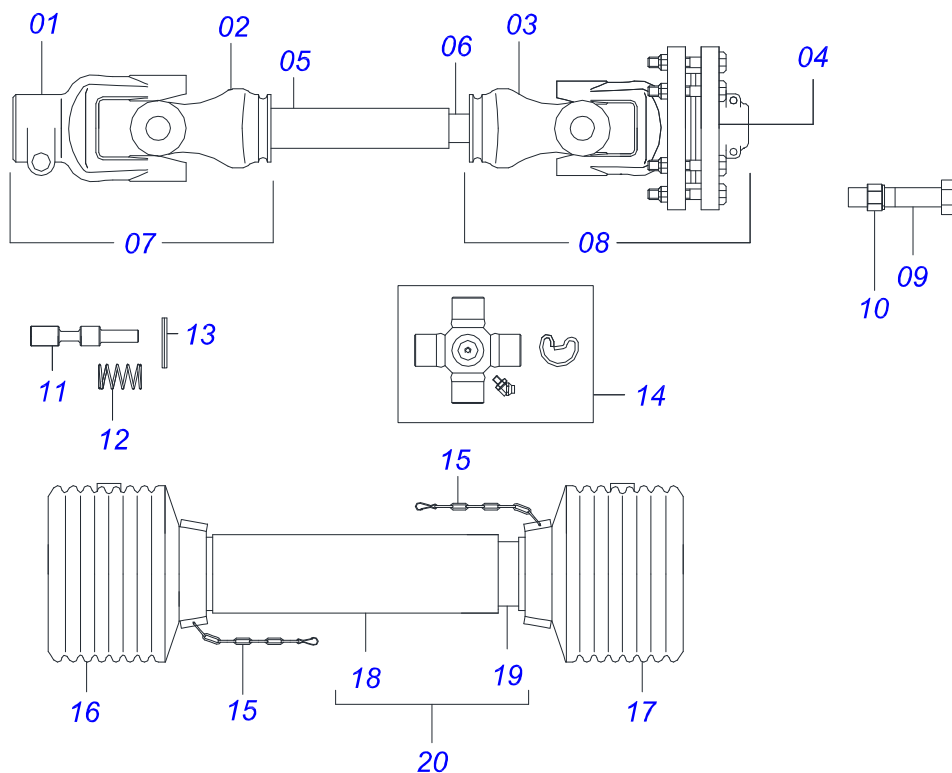
Item	Code	Description	See page	QT
27E	0551018422	SLEEVE 38,5 X 61 X 25		02
27F	0502020106	WHEEL		01
27G	0503011198	C3/4" X 6" SCREW		01
27H	0503011255	3/4" LOCK NUT		01
27I	0503010002	1800 GREASE FITTING		01
28	0501046851	MULTIPLIER	6	01
29	0503013390	3/4" UNC BOLT		04
30	0511069475	LH FIXER COVER		01
31	0511069476	RIGHT COVER FIXER		01
32	0531017832	PROTECTION COVER		01
33	0503010256	3/8" X 3/4" BOLT		04
34	0501010984	FLAT WASHER		04
35	0501047949	DRIVE SHAFT	3	01
36	0501110186	OIL SMALLER LEVEL INDICATOR		01
37	0531050565	SUPPORT ROTARY CUTTER WITH 04 CUTTER	2	01
38	0501010536	KEYWAY SQUARE		02
39	0511054731	CURRENT PROTECTION		01
39A	0501010942	3/8" X 1-1/4" BOLT		22
39B	0501011600	1/2" X 1-1/4" BOLT		11
39C	0503010019	1/2" SPRING WASHER		11
39D	0503010020	1/2"NUT		11
39E	0503010025	3/8" SPRING WASHER		22
39F	0503010026	3/8" NUT		22
39G	0511017302	FLAT WASHER		11
39H	0511011774	8,00 CHAIN 4 LINK		86
39I	0571015427	CHAIN PROTECTION BODY		01
39J	0571015430	CLAW PROTECTION CHAIN		02
40	0511054751	CURRENT PROTECTION		03
40A	0571015267	CLAW PROTECTION CHAIN		03
40B	0571015268	CHAIN PROTECTION BODY		03



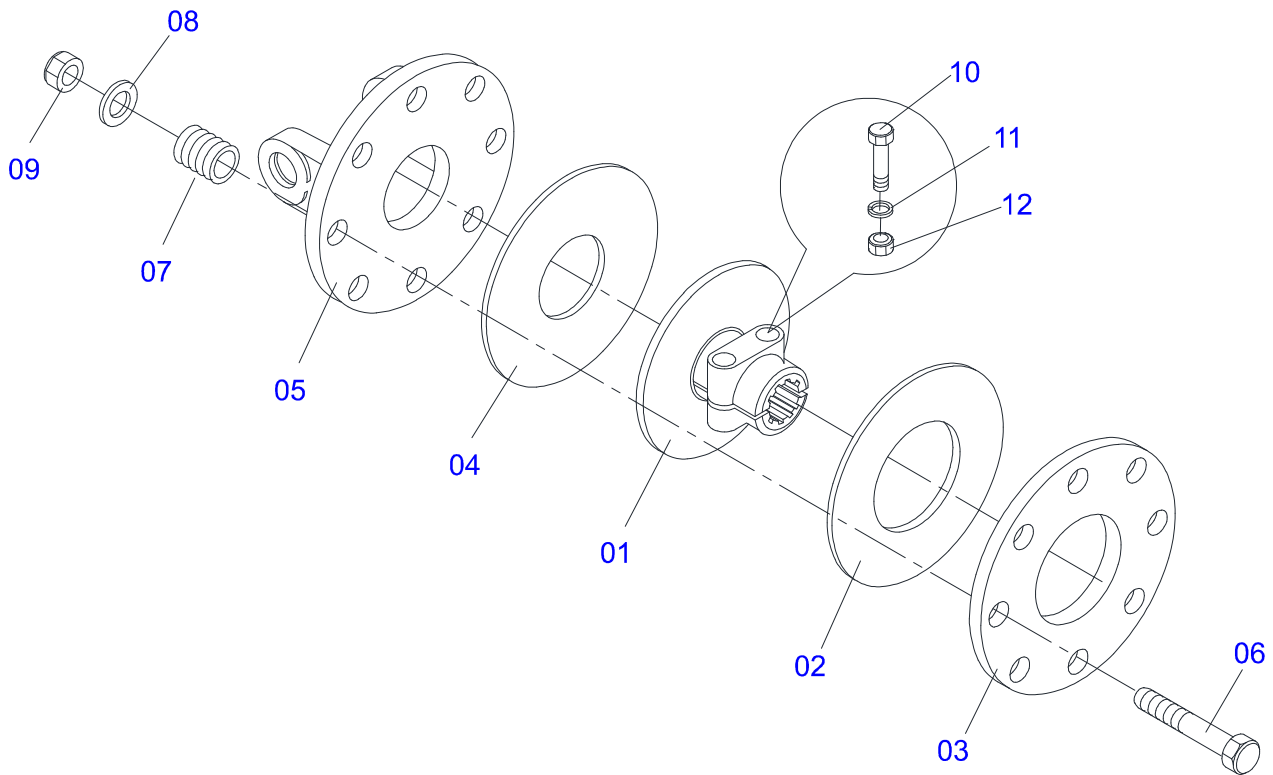
Item	Code	Description	See page	QT
001	0503010067	3/16" X 2.1/2" COTTER PIN		01
002	0503011438	SPRING WASHER		02
003	0502012508	FIXER SUPPORT CUTTERS		01
004	0541013328	FASTERNER ROCADORES		02
005	0622400053	20.5" X 3.94" X 0.5" ROTARY CUTTER		02
006	0503010063	1" SELF-ALIGNING NUT		02
007	0501017779	32 X 60 X 4.75 FLAT WASHER		01
008	0503011052	1.1/4" X 0.77" CASTLE NUT		01



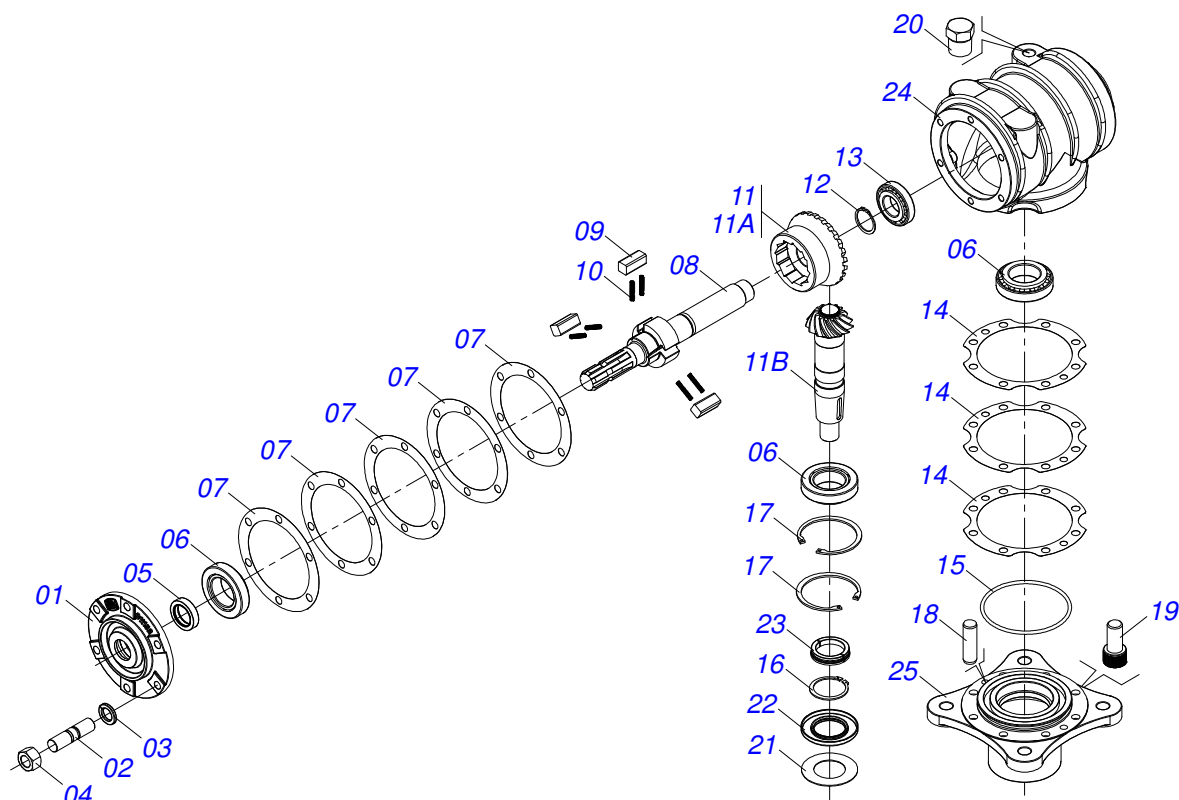
Item	Code	Description	See page	QT
01	0501051715	UNIVERSAL JOINT		01
02	0501050265	UNIVERSAL JOINT		01
03	0501050333	1-40 TERMINAL WITH HITCH		01
04	0502010565	2-40 TERMINAL W/ SH 1.5"/1.5"		01
05	0503012069	ADAPTER FOR BUSHING PROTECT		01
06	0501017429	31" X 1.5" SQUARE SLEEVE		01
07	0503010836	CARDAN CROSSPIECE		02
08	0503011069	0.4" X 2.8" SPRING PIN		01
09	0503010510	0.2" X 2.6" SPRING PIN		01
10	0501051716	UNIVERSAL JOINT WITH SHAFT		01
11	0501050466	UNIVERSAL JOINT WITH CROSSPIECE		01
12	0501043660	FRICITION	5	01
13	0502010566	3-40 TERMINAL WITH SH 1.2"/1.2"		01
14	0503012070	ADAPTER FOR AXLE PROTECTION		01
15	0501017425	1.2" X 31.5" SQUARE SHAFT		01
16	0503010361	SPRING PIN		01
17	0503010756	0.2" X 2.4" SPRING PIN		01
18	0501051701	UNIVERSAL JOINT WITH SLEEVE/PROT		01
19	0501051702	UNIVERSAL JOINT WITH AXLE/PROT		01
20	0503012077	PROTECTION ASSY		01
21	0503012078	PROTECTION FOR UNIV JOINT AND SLEEV		01
22	0503012079	PROTECTION FOR UNIV JOINT AND AXLE		01
23	0503012023	CHAIN FOR PROTECTION		02
24	0502010563	1-40 STRIATED 1.3/8" TERMINAL		01
25	0521010638	0.5" X 3.3" QUIC HITCH COUPL SHAFT		01
26	0503030518	0.5"X1.0"X 0.1" COMPRESSION SPRING		01
27	0503010838	0.1" X 0.8" SPRING PIN		01



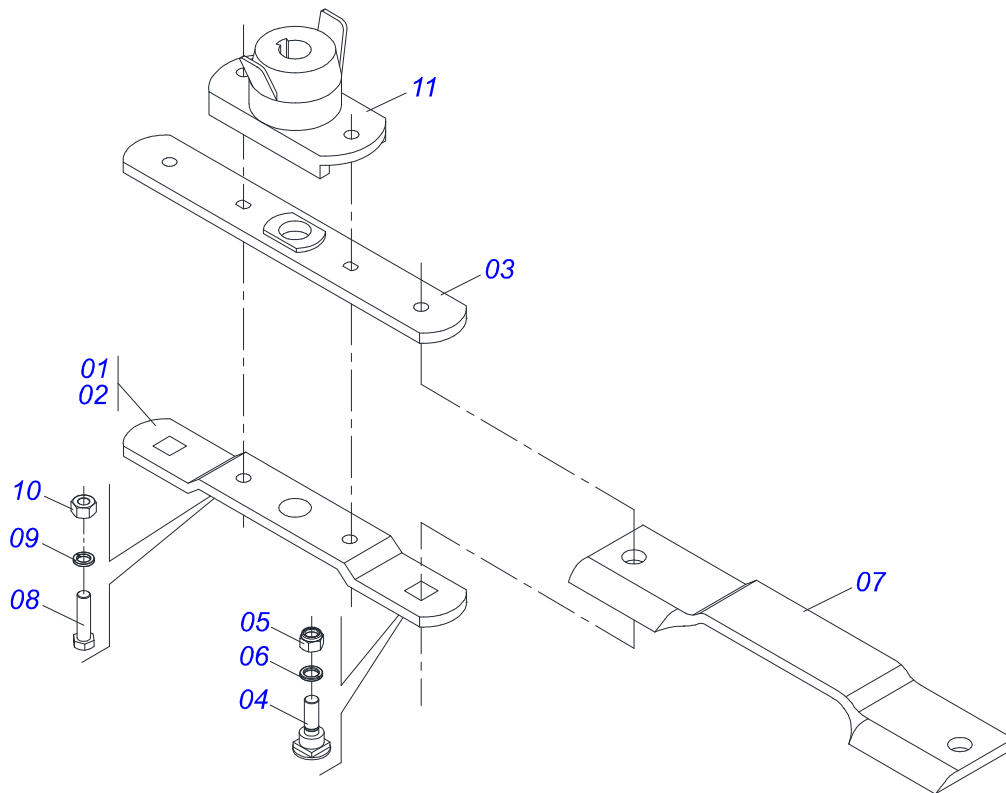
Item	Code	Description	See page	QT
01	0503017647	TERMINAL		01
02	0503017648	TERMINAL		01
03	0503017649	TERMINAL		01
04	0503062339	FRICTION		01
05	0503017652	TUBE		01
06	0503017653	BAR		01
07	0503062340	JOINT		01
08	0503062341	JOINT		01
09	0503017645	HEXAGON BOLT		06
10	0503017646	NUT		06
11	0503017626	COUPLING SHAFT		01
12	0503017627	HITCH SPRING		01
13	0503017628	COTTERPIN		01
14	0503017644	CROSSPIECE		02
15	0503017631	CHAIN ASSY		01
16	0503017632	COVER		01
17	0503017633	COVER		01
18	0503017677	PLASTIC TUBE		01
19	0503017678	PLASTIC TUBE		01
20	0503062352	COMPLETE PROTECTION		01



Item	Code	Description	See page	QT
01	0503011869	CENTRAL FLANGE		01
02	0503031478	OUTER FRICTION DISC		01
03	0503011870	REAR FLANGE		01
04	0503031474	INNER FRICTION DISC		01
05	0503011868	FRONT FLANGE		01
06	0503010752	1/2" X 3.1/2" BOLT		08
07	0503030630	1.02"X1.3"X0.2" COMPRESSION SPRING		08
08	0511017302	FLAT WASHER		08
09	0503011336	1/2" HEX SELF ADJUSTING NUT		08
10	0503010741	1/2" X 2-3/4" BOLT		02
11	0503010019	1/2" SPRING WASHER		02
12	0503010060	1/2" NUT		02



Item	Code	Description	See page	QT
01	0502011152	SMALLER COVER		01
02	0503030084	1/2" X 1/2" X 2.0" STUD		06
03	0503011440	SPRING WASHER		06
04	0503010028	1/2" NUT		06
05	0503011171	00912-BRG SEAL		01
06	0503010006	32210 ROLLER BEARING		03
07	0503030783	7.1" X 5.3" X 0.008" JOINT		05
08	0503050063	UPPER AXLE		01
09	0501010649	RATCHET CLICK		03
10	0503030051	0.2" X 1" X 0.1" COMPRESSION SPRING		06
11	0503060210	CROWN PINION SET		01
11A	0503050074	25Z CONICAL GEAR		01
11B	0503061048	PINION		01
12	0503010217	501040 CLAMPING RING (FOR AXLE)		01
13	0503010037	30207 ROLLER BEARING		01
14	0503030785	7.9" X 5.9" X 0.008" JOINT		03
15	0503010286	2-355 N 3006-9B O'RING		01
16	0503010396	501060 CLAMPING RING (FOR AXLE)		01
17	0503011190	SEAL RING		02
18	0503017877	PIN GUIDE		02
19	0503010562	1/2" X 1" BOLT		08
20	0503031604	1/2" BSP PLUG		01
21	0521018064	FLAT WASHER		01
22	0503011047	5089 SEAL		01
23	0511010142	LOCK RING		01
24	0502010984	LEFT MULTIPLIER BOX		01
25	0502011393	LOWER HUB		01



Item	Code	Description	See page	QT
01	0501056326	SUPPORT WITH ROTARY CUTTER BLADES		01
02	0561017368	ROTARY LOWER SUPPORT		01
03	0561017308	SUPPORT UPPER BASE		01
04	0511019000	BOLT		02
05	0503010812	7/8" UNF SELF LOCKING NUT		02
06	0503011447	SPRING WASHER		02
07	0622400057	21.6" X 3.94" X 0.5" ROTARY CUTTER		02
08	0503010901	3/4UNC 3.1/2 BOLT		02
09	0503010023	3/4" SPRING WASHER		02
10	0503010014	3/4" NUT		02
11	0502012453	SUPPORT FLANGE		01



www.marchesan.com.br



Technical Publications | Elaboration and Revision
LUIZ CANDIDO