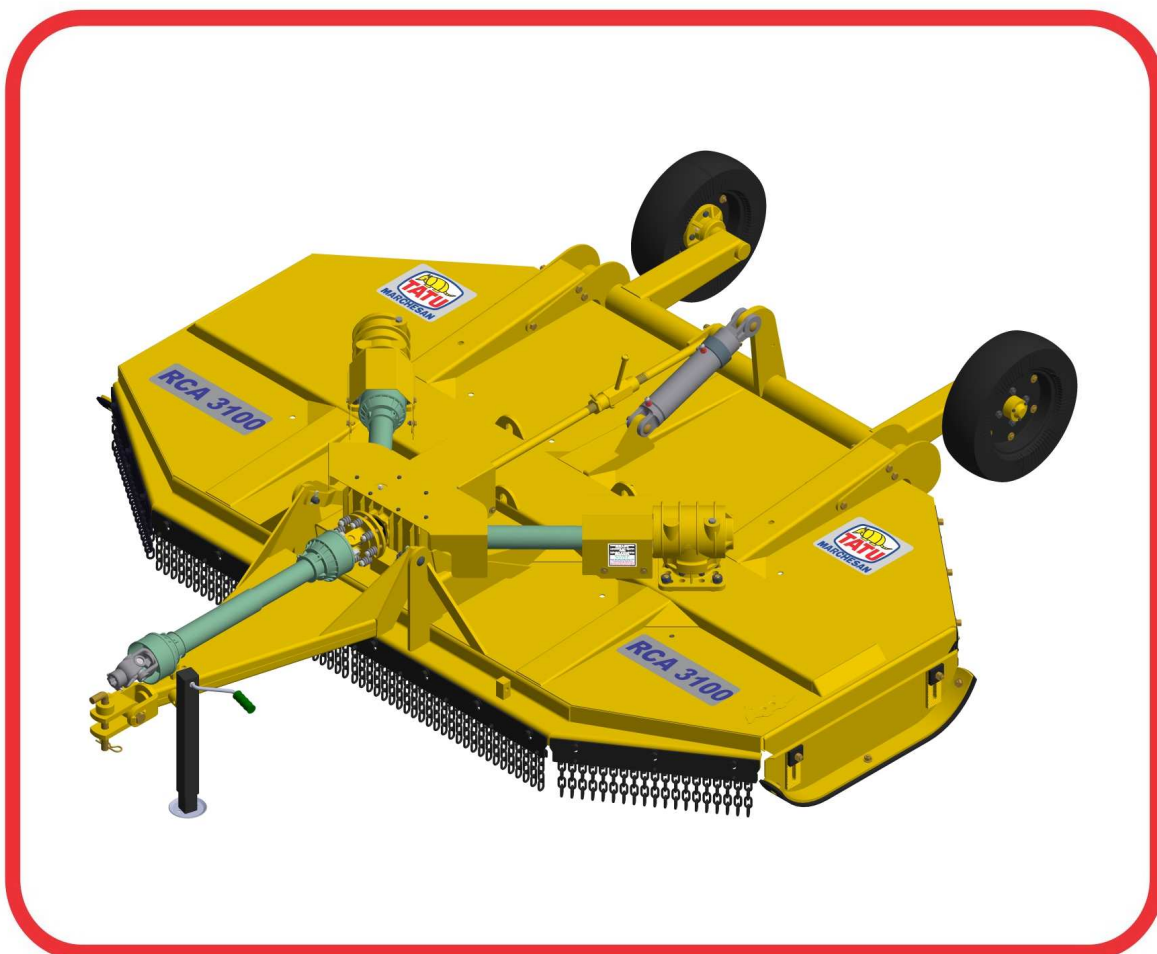


# PARTS CATALOG

## ROTARY CUTTERS

### RCA 3100

Code: 0501091338



Series: S-0214

Review: JUNHO/2016

ORIGINAL PARTS  
TATU



# PRODUCTS

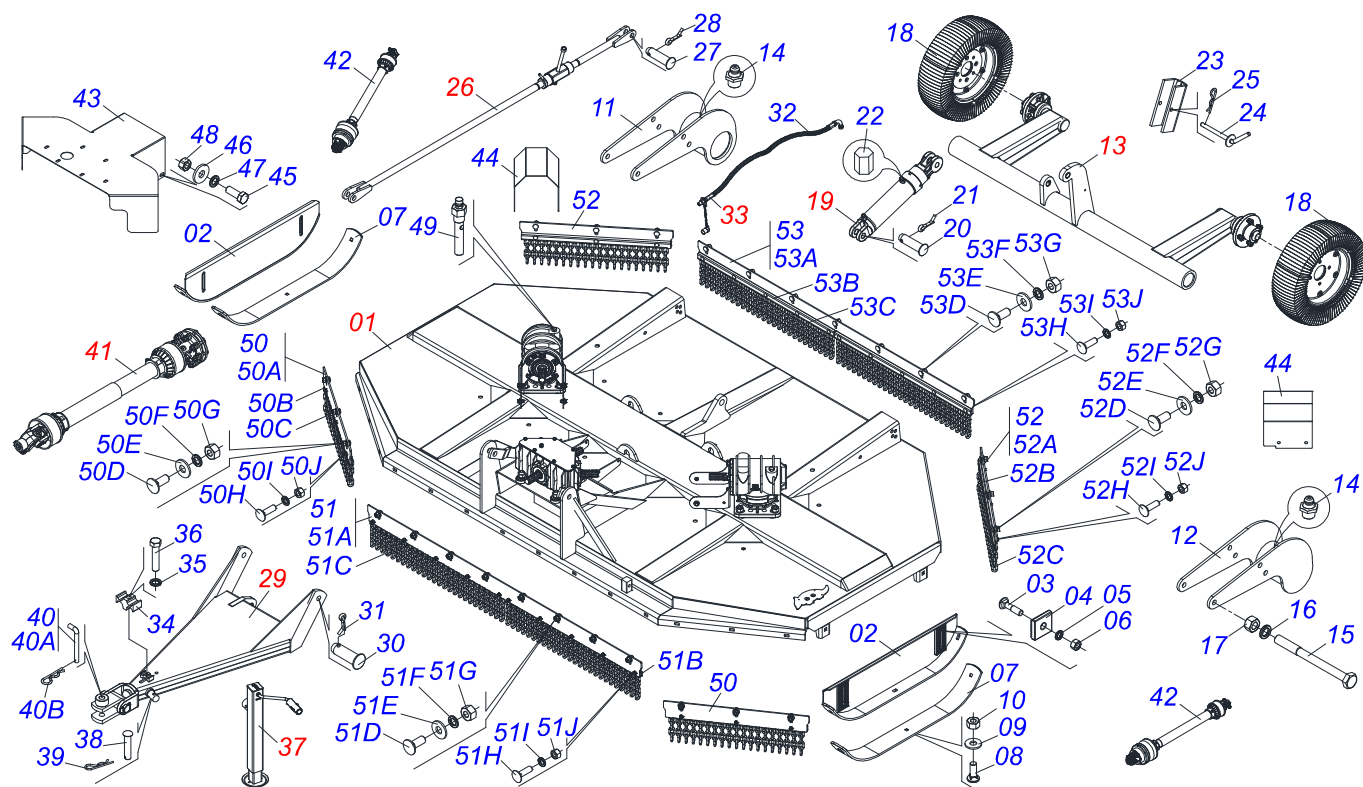
Code	Description
0104120066	RCA 3100 C/PROT CORR S-0214
0104120067	RCA 3100 EXPORT S-0214

## ATTENTION: **IMPORTANT**

MARCHESAN S/A RESERVES THE RIGHT AT ANY TIME TO MAKE IMPROVEMENTS IN THE DESIGN, MATERIAL OR SPECIFICATIONS OF MACHINERY, EQUIPMENT OR PARTS WITHOUT THEREBY BECOMING LIABLE TO MAKE SIMILAR CHANGES IN MACHINERY, EQUIPMENT OR PARTS PREVIOUSLY SOLD.

# INDEX

0909094701	FRAME ASSY	.....	1
0511055518	SEMIFINISHED FRAME	.....	2
0501049129	DRIVE SHAFT	.....	3
0501053834	QUICK CONECTION (MALE) 1/2NPT	.....	4
0511058441	HYDRAULIC CYLINDER 44,45 X 85,70 X 540 X 179	.....	5
0511055456	DRAWBAR W/ COUPLING OF THE TRACTOR	.....	6
0503062157	HEADER JACK	.....	7
0511055572		.....	8
0511055573		.....	9
0511042527	SPEED MULTIPLIER	.....	10
0511042525	BOX MULTIPLIER	.....	11
0501056330	CUTTER BLADES ROTARY SUPPORT	.....	12
0501044074	TRIPE DISTRIBUTOR RC 4500	.....	13

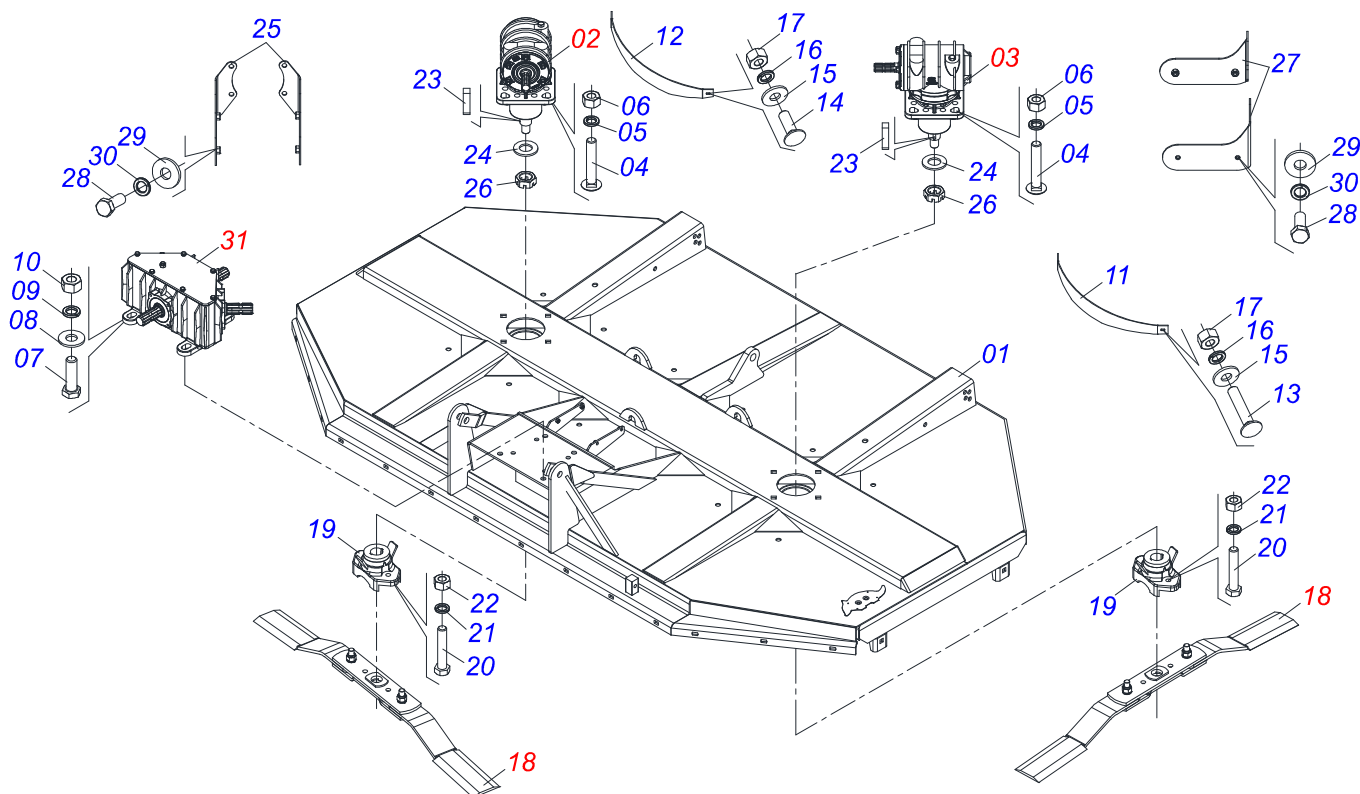


Item	Code	Description	QT
001	0511055518	SEMIFINISHED FRAME	01
002	0511064760	930 SKID	02
003	0501014177	5/8" X 2-1/2" BOLT	04
004	0502010083	SQUARE WASHER	04
005	0503010027	5/8" SPRING WASHER	04
006	0503010013	5/8" NUT	04
007	0531019436	SKID GUIDE	02
008	0503012956	1/2" X 1-1/2" BOLT	06
009	0511017302	FLAT WASHER	06
010	0503010020	1/2" NUT	06
011	0511060360	WHEELS RIGHT FIXER	01
012	0511060361	WHEELS LEFT FIXER	01
013	0511055573		01
014	0503010002	GREASE FITTING	02
015	0503010795	5/8" X 7" BOLT	06
016	0503010027	5/8" SPRING WASHER	06
017	0503010013	5/8" NUT	06
018	0501043559	RUBBER WHEEL ASSY	02
019	0511058441	HYDRAULIC CYLINDER 44,45 X 85,70 X 540 X 179	01
020	0521010575	COUPLING SHAFT	02
021	0503010571	1/4" X 1.1/2" COTTERPIN	02
022	0511017628	BREATHING HOLE OF THE CYLINDER HIDR	01
023	0521014258	LOCK BOLT	01
024	0501068994	0.3" X 3.1" LOCK PIN	01
025	0503030168	HAIR PIN	01
026	0511055572		01
027	0521010575	COUPLING SHAFT	02
028	0503010571	1/4" X 1.1/2" COTTERPIN	02
029	0511055456	DRAWBAR W/ COUPLING OF THE TRACTOR	01
030	0521010572	0.9" X 2.9" COUPLING SHAFT	02
031	0503010571	1/4" X 1.1/2" COTTERPIN	02
032	0501080365	3/8" X 137" HOSE	01
033	0501053834	QUICK CONECTION (MALE) 1/2NPT	01

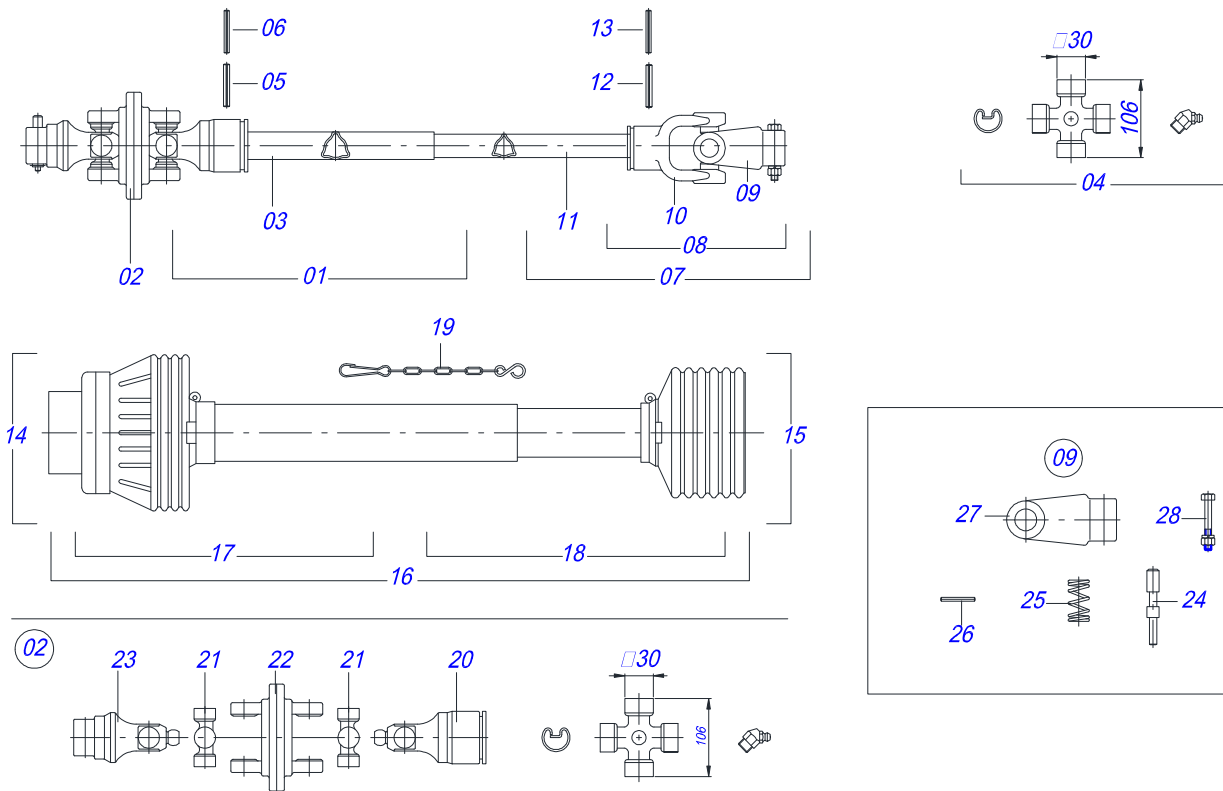


RCA 3100  
FRAME ASSY

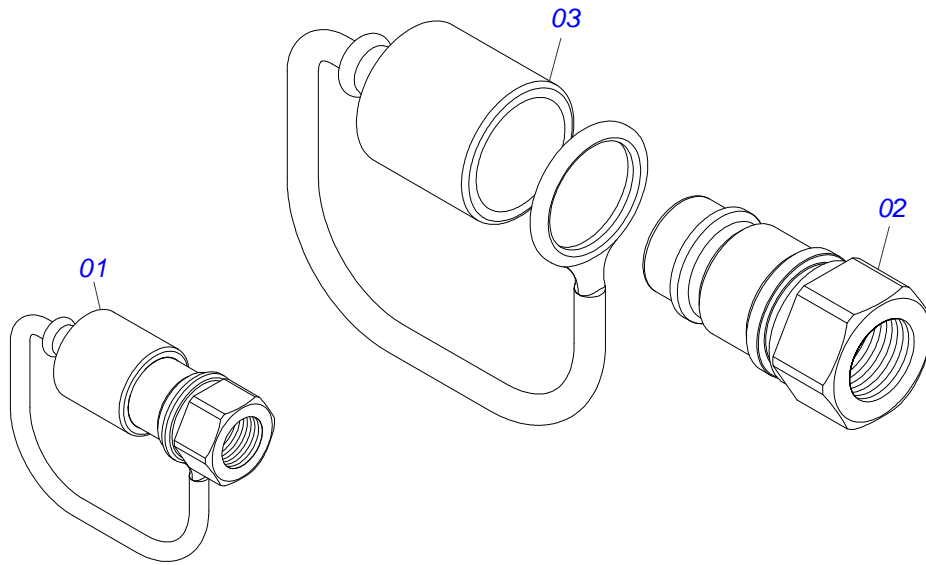
Item	Code	Description	QT
034	0502012702	UPPER CLAMP BODY	01
035	0503010180	7/16" SPRING WASHER	01
036	0503012555	7/16" X 2" BOLT	01
037	0503062157	HEADER JACK	01
038	0521010549	COUPLING SHAFT	01
039	0503030168	HAIR PIN	01
040	0501040343	DRAWBOLT ASSY	01
040A	0521010453	COUPLING SHAFT	01
040B	0503031035	HAIR PIN	01
041	0501049129	DRIVE SHAFT	01
042	0503062281		02
043	0521064970		01
044	0531017832	PROTECTION COVER	02
045	0503010237	3/8" X 1" BOLT	04
046	0501010984	FLAT WASHER	04
047	0503010025	3/8" SPRING WHASHER	04
048	0503810026		04
049	0501110186	OIL SMALLER LEVEL INDICATOR	01
050	0511055130	CHAIN PROTECTION	02
050A	0571016015		02
050B	0571016014		02
050C	0511011774	8,00 CHAIN 4 LINK	38
050D	0501011600	1/2" X 1-1/4" BOLT	06
050E	0511017302	FLAT WASHER	06
050F	0503010019	1/2" SPRING WASHER	06
050G	0503010020	1/2" NUT	06
050H	0501010942	3/8" X 1-1/4" BOLT	06
050I	0503010025	3/8" SPRING WHASHER	06
050J	0503010026	3/8" NUT	06
051	0511055077	CHAIN PROTECTION	01
051A	0571016006		01
051B	0571016007		02
051C	0511011774	8,00 CHAIN 4 LINK	52
051D	0501011600	1/2" X 1-1/4" BOLT	08
051E	0511017302	FLAT WASHER	08
051F	0503010019	1/2" SPRING WASHER	08
051G	0503010020	1/2" NUT	08
051H	0501010942	3/8" X 1-1/4" BOLT	10
051I	0503010025	3/8" SPRING WHASHER	10
051J	0503010026	3/8" NUT	10
052	0511055075	CHAIN PROTECTION	02
052A	0571016010		02
052B	0571016009		02
052C	0511011774	8,00 CHAIN 4 LINK	40
052D	0501011600	1/2" X 1-1/4" BOLT	06
052E	0511017302	FLAT WASHER	06
052F	0503010019	1/2" SPRING WASHER	06
052G	0503010020	1/2" NUT	06
052H	0501010942	3/8" X 1-1/4" BOLT	06
052I	0503010025	3/8" SPRING WHASHER	06
052J	0503010026	3/8" NUT	06
053	0511055076	CHAIN PROTECTION	01
053A	0571016005		01
053B	0571016008		02
053C	0511011774	8,00 CHAIN 4 LINK	52
053D	0501011600	1/2" X 1-1/4" BOLT	14
053E	0511017302	FLAT WASHER	14
053F	0503010019	1/2" SPRING WASHER	14
053G	0503010020	1/2" NUT	14
053H	0501010942	3/8" X 1-1/4" BOLT	10
053I	0503010025	3/8" SPRING WHASHER	10
053J	0503010026	3/8" NUT	10



Item	Code	Description	QT
001	0521064968		01
002	0511042527	SPEED MULTIPLIER	01
003	0511042525	BOX MULTIPLIER	01
004	0503010797	3/4" X 4" BOLT	08
005	0503011442	3/4" SPRING WASHER	08
006	0503010014	3/4" NUT	08
007	0501010125	3/4" X 2-1/2" BOLT	04
008	0501010322	FLAT WASHER	04
009	0503011442	3/4" SPRING WASHER	04
010	0503010014	3/4" NUT	04
011	0571016769		01
012	0571016768		01
013	0501011600	1/2" X 1-1/4" BOLT	02
014	0501010243	1/2" X 1-1/2" BOLT	01
015	0511017302	FLAT WASHER	03
016	0503010019	1/2" SPRING WASHER	03
017	0503010020	1/2" NUT	03
018	0501056330	CUTTER BLADES ROTARY SUPPORT	02
019	0502012453	SUPPORT FLANGE	02
020	0503011328	3/4" X 4" BOLT	04
021	0503011442	3/4" SPRING WASHER	04
022	0503010014	3/4" NUT	04
023	0501010536	0.4" X 1.7" KEYWAY SQUARE	04
024	0501017779	FLAT WASHER	02
025	0511069475	LH FIXER COVER	02
026	0503011052	1.1/4" X 0.77" CASTLE NUT	02
027	0511069476	RIGHT COVER FIXER	02
028	0503010237	3/8" X 1" BOLT	08
029	0501010984	FLAT WASHER	08
030	0503010025	3/8" SPRING WHASHER	08
031	0501044074	TRIPE DISTRIBUTOR RC 4500	01

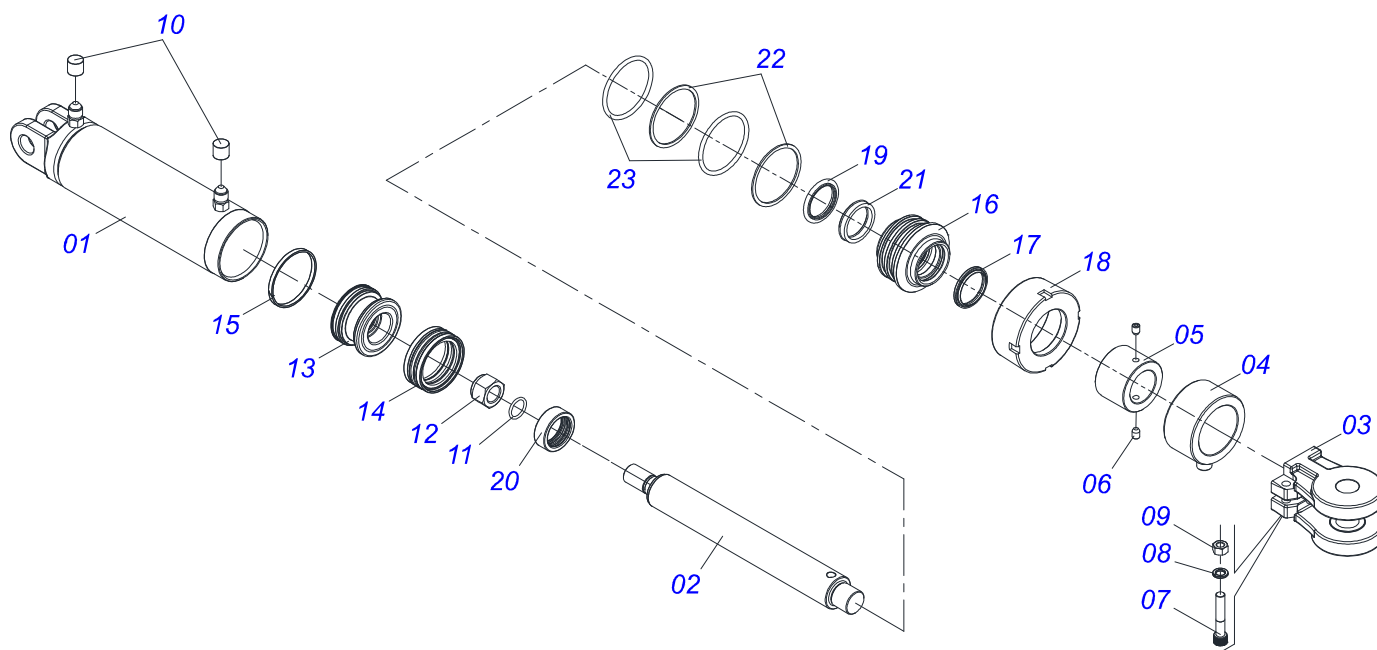


Item	Code	Description	
01	0501052544	HOMO JOINT WITH FEMALE BUSHING	01
02	0501052518	HOMOCINETIC JOINT ASSY	01
03	0503012618	2.1" X 2.0" X 31" TRIAN FEMALE TUB	01
04	0503010837	CARDAN CROSSPIECE	01
05	0503010843	0.4" X 3.3" SPRING PIN	01
06	0503011878	0.2" X 3.3" SPRING PIN	01
07	0501052545	UNIVERSAL JOINT WITH CROSS/SHAFT	01
08	0501052546	UNIVERSAL JOINT	01
09	0501052516	T6-60 TERMINAL WITH SCREW	01
10	0503012600	T3-60/CI52 TERMINAL	01
11	0503012619	1.8" X 1.7" X 31" TRIAN MALE TUB	01
12	0503011069	0.4" X 2.8" SPRING PIN	01
13	0503011805	0.2" X 2.8" SPRING PIN	01
14	0501052548	HOMO JOINT WITH PROT FEMALE BUSHING	01
15	0501052549	UNIVERSAL JOINT WITH SHAFT/PROT	01
16	0503012620	PROTECTION ASSY	01
17	0503012621	PROTECTION FOR HOMO JOINT AND SLEEV	01
18	0503012076	PROTECTION FOR UNIV JOINT AND AXLE	01
19	0503012023	CHAIN FOR UNIV JOINT PROTECTION	01
20	0503012604	HOMO TERMINAL W/ FEMALE BUSHING	01
21	0503012605	CROSSPIECE	02
22	0503012606	CENTER BODY	01
23	0503012607	TRACTOR HOMOCINETIC TERMINAL	01
24	0521010638	0.5" X 3.3" QUIC HITCH COUPL SHAFT	02
25	0503030518	0.5"X1.0"X 0.1" COMPRESSION SPRING	02
26	0503010838	0.1" X 0.8" SPRING PIN	02
27	0502010830	6-60 STRIATED 1.3/8" TERMINAL	01
28	0501047759	1/2" X 3-1/2" BOLT ASSY	02



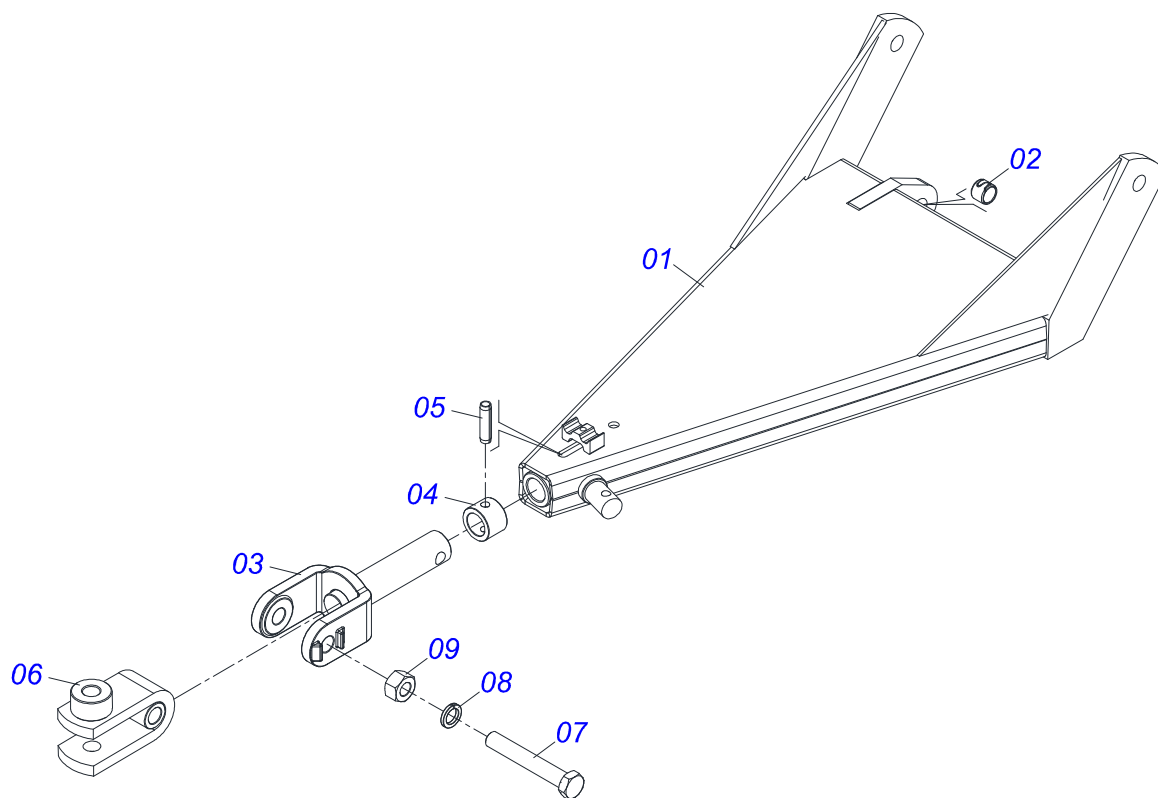
Item	Code	Description	QT
01	0501053834	QUICK CONECTION (MALE) 1/2NPT	02
02	0503011627	QUICK CONNECTION (MALE) AGR 1/2 NPT	01
03	0503011882	QUICK CONNECTION COVER	01



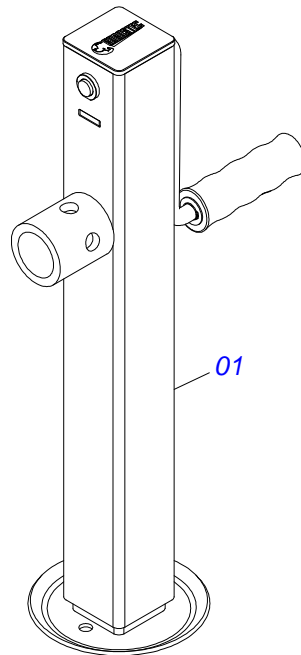


Item	Code	Description	QT
01	0501064255	2.4" X 8" CYLINDER CASE	01
02	0521014292	1.7" X 15" TURNBUCLE WITH HOLES	01
03	0502040493	CLEVIS 26,50 R41	01
04	0511060370	CARRY-W REG OUTER BODY ASSY	01
05	0521014003	REG INNER BODY OF THE CARRY-WHEEL	01
06	0503011148	3/8" X 1/2" BOLT	02
07	0503011094	3/8" X 2" BOLT C C S I 12.9	01
08	0503010025	3/8" SPRING WHASHER	01
09	0503010026	3/8" NUT	01
10	0503030385	PLUG	02
11	0503010042	2-214 N 3006-9B O'RING	01
12	0503010063	1" SELF-ALIGNING NUT	01
13	0571019710	1.7" X 3.4" PISTON	01
14	0503017935	RING	01
15	0503018144	RING	01
16	0571019711	RING SUPPORT	01
17	0503010761	D-1750 SCRAPER RING	01
18	0571019709	DETACHABLE COVER	01
19	0503017936	RING	01
20	0503017938	RING GUIDE	01
21	0503017937	GASKET	01
22	0503017940	8-337 BACK-UP RING	02
23	0503017939	2-337 N 3006-9B O' RING	02
24	0501031796	HYDRAULIC CYLINDER REPAIR KIT	

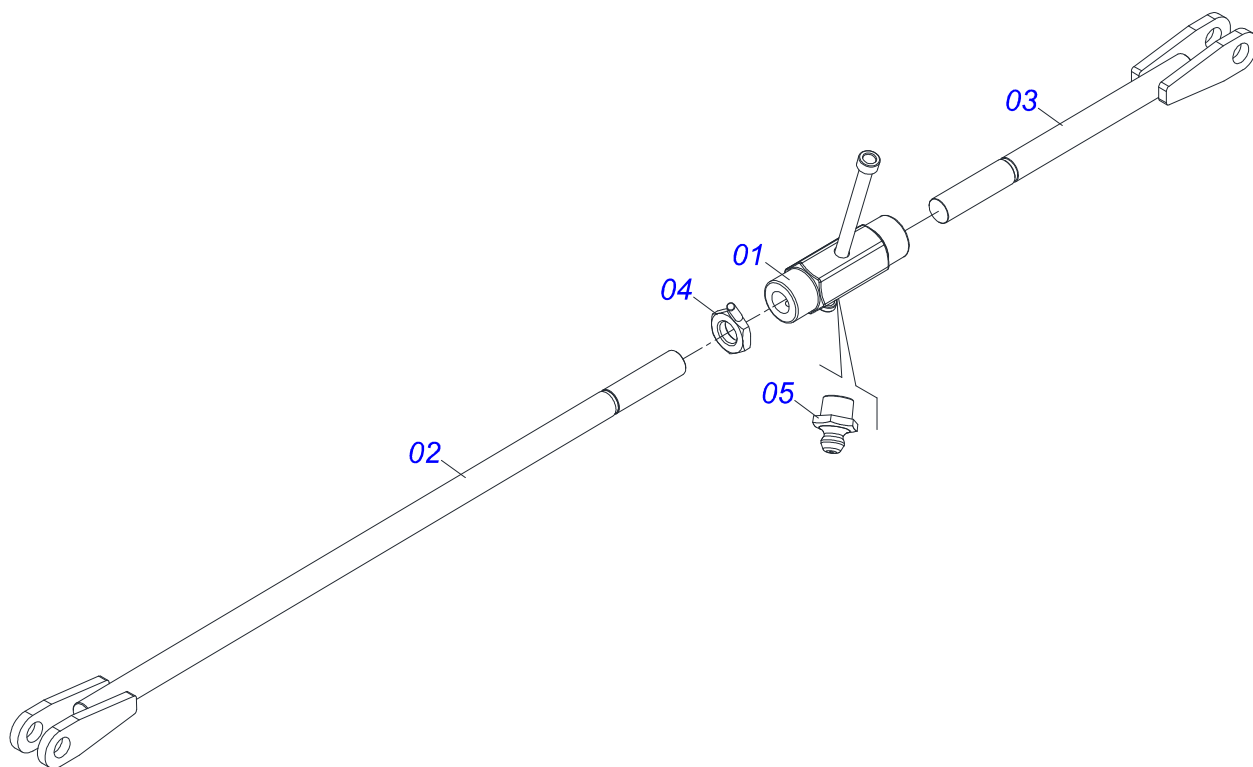
DRAWBAR W/ COUPLING OF THE TRACTOR



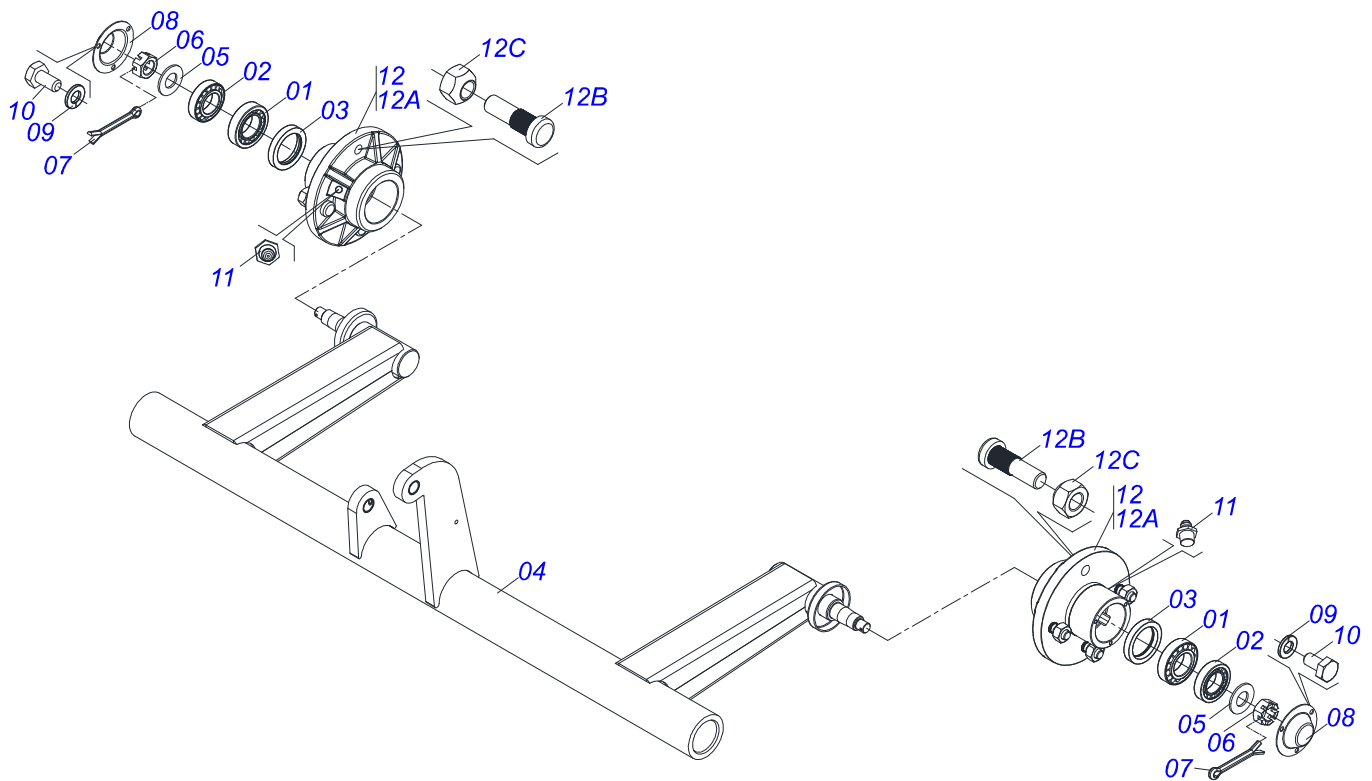
Item	Code	Description	QT
001	0521064860		01
002	0511019921	1.3" X 0.1" X 1" SLEEVE	01
003	0521066536		01
004	0521010473	1.5" X 2.2" X 1.6" SLEEVE WITH HOLE	01
005	0503010815	0.5" X 2.16" SPRING PIN	01
006	0521065106		01
007	0501010060	1" X 6-1/2" BOLT	01
008	0503011438	1" SPRING WASHER	01
009	0501010059	1" NUT	01



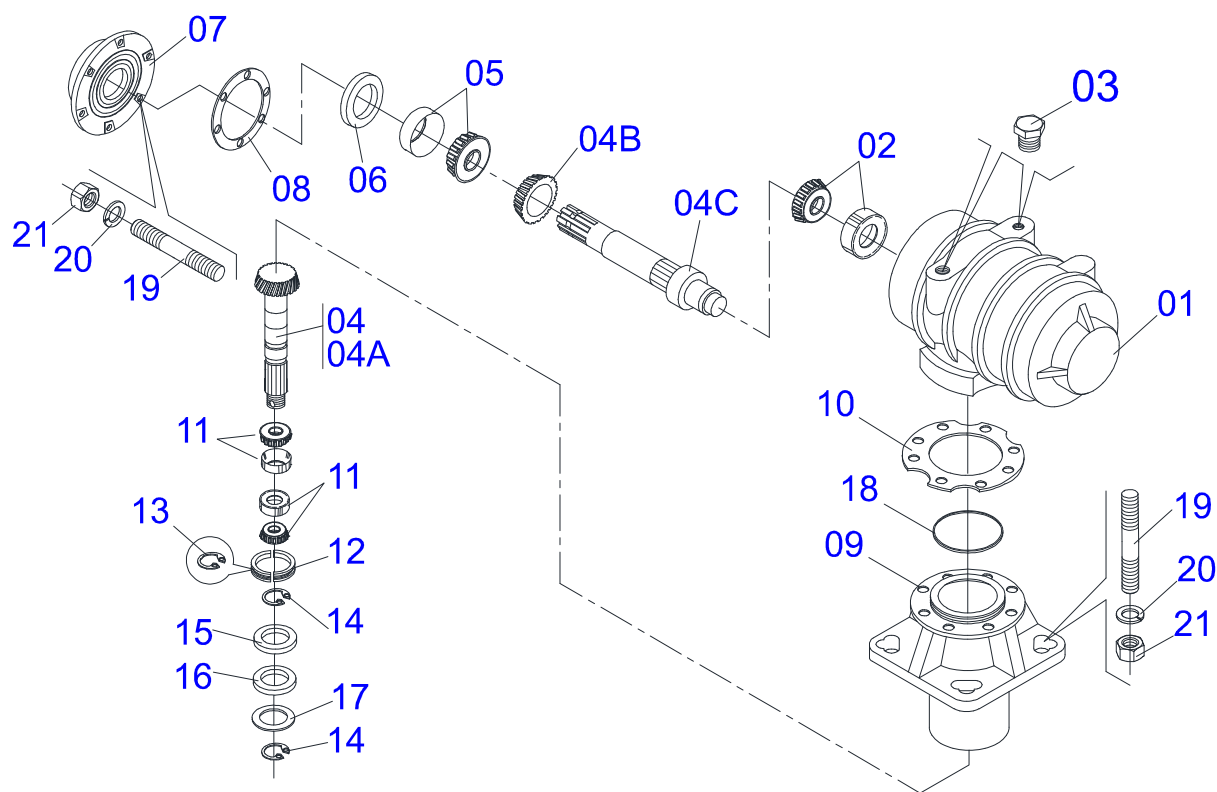
Item	Code	Description
01	0503062157	HEADER JACK



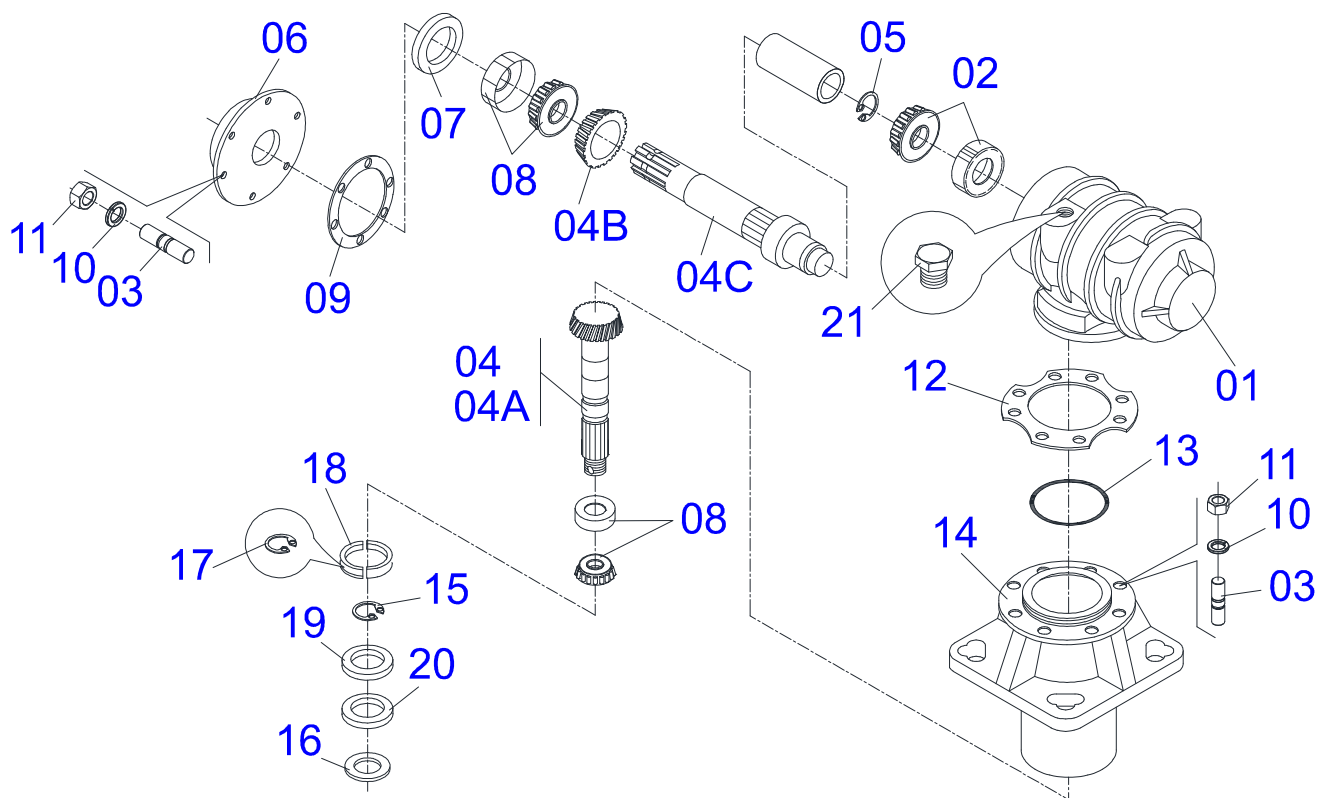
Item	Code	Description	QT
001	0521064756		01
002	0521064972		01
003	0521064973		01
004	0501064974	LOCKNUT WITH HANDLER	01
005	0503010002	GREASE FITTING	02



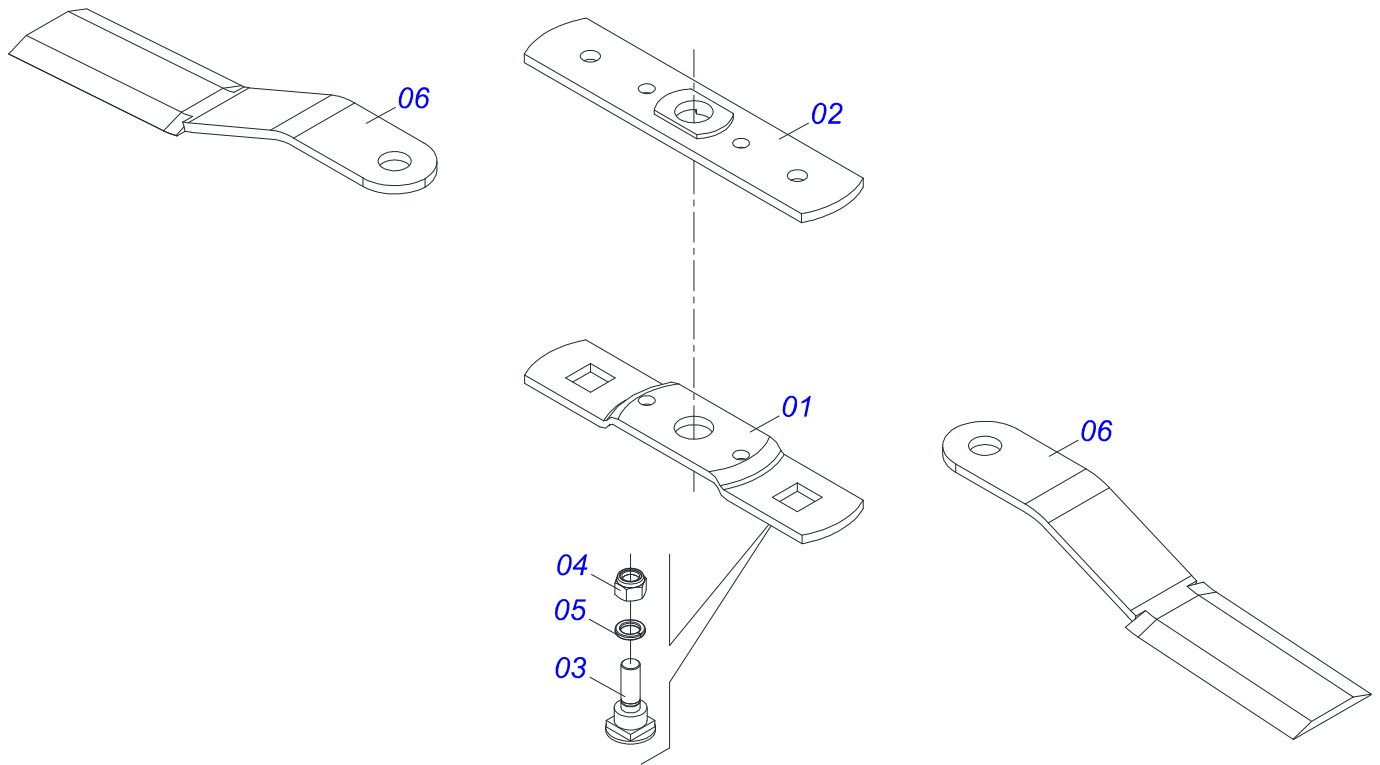
Item	Code	Description	QT
001	0503010016	BEARING LM 48548/48510	02
002	0503010022	BEARING LM 67048/67010	02
003	0503010278	SEAL # 00527-B	02
004	0521064971		01
005	0501010076	FLAT WASHER	02
006	0503030010	7/8" CASTLE NUT	02
007	0503010018	5/32" X 1-1/2" COTTERPIN	02
008	0521010388	PROTECTIVE COVER	02
009	0503011441	SPRING WASHER	06
010	0503013758	1/4" X 1-1/2" BOLT	06
011	0503010002	GREASE FITTING	02
012	0501110746		02
012A	0502020605	CARRYING WHEEL HUB	01
012B	0501010127	9/16" X 1-7/8" LUG BOLT	04
012C	0503010035	9/16" CONIC NUT	04



Item	Code	Description	
01	0502012204	SPEED MULTIPLIER BOX	01
02	0503012418	32211 ROLLER BEARING	01
03	0503031604	1/2" BSP PLUG	02
04	0503061699		01
04A	0503031918	18Z CONICAL GEAR	01
04B	0503031917	12Z LOWER CONICAL GEAR	01
04C	0503031924	UPPER AXLE	01
05	0503010750	30209 BALL BEARING	01
06	0503012103	5301 -BSEAL	01
07	0502012203	RH COVER MULTIPLIER	01
08	0503030783	7.1" X 5.3" X 0.008" JOINT	06
09	0502012206	LOWER HUB	01
10	0503030785	7.9" X 5.9" X 0.008" JOINT	03
11	0503012418	32211 ROLLER BEARING	02
12	0531019302	LOCK RING	01
13	0503012311	501065 RENO RING	01
14	0503011420	502100 CLAMPING RING (FOR AXLE)	02
15	0503013211	6016 BRG SEAL	01
16	0503013201	ARCA 6016 BRG SEAL	01
17	0531018823	FLAT WASHER	01
18	0503010286	2-355 N 3006-9B O'RING	01
19	0503030084	1/2" X 1/2" X 2.0" STUD	14
20	0503011440	1/2" SPRING WASHER	14
21	0503010028	1/2" NUT	14

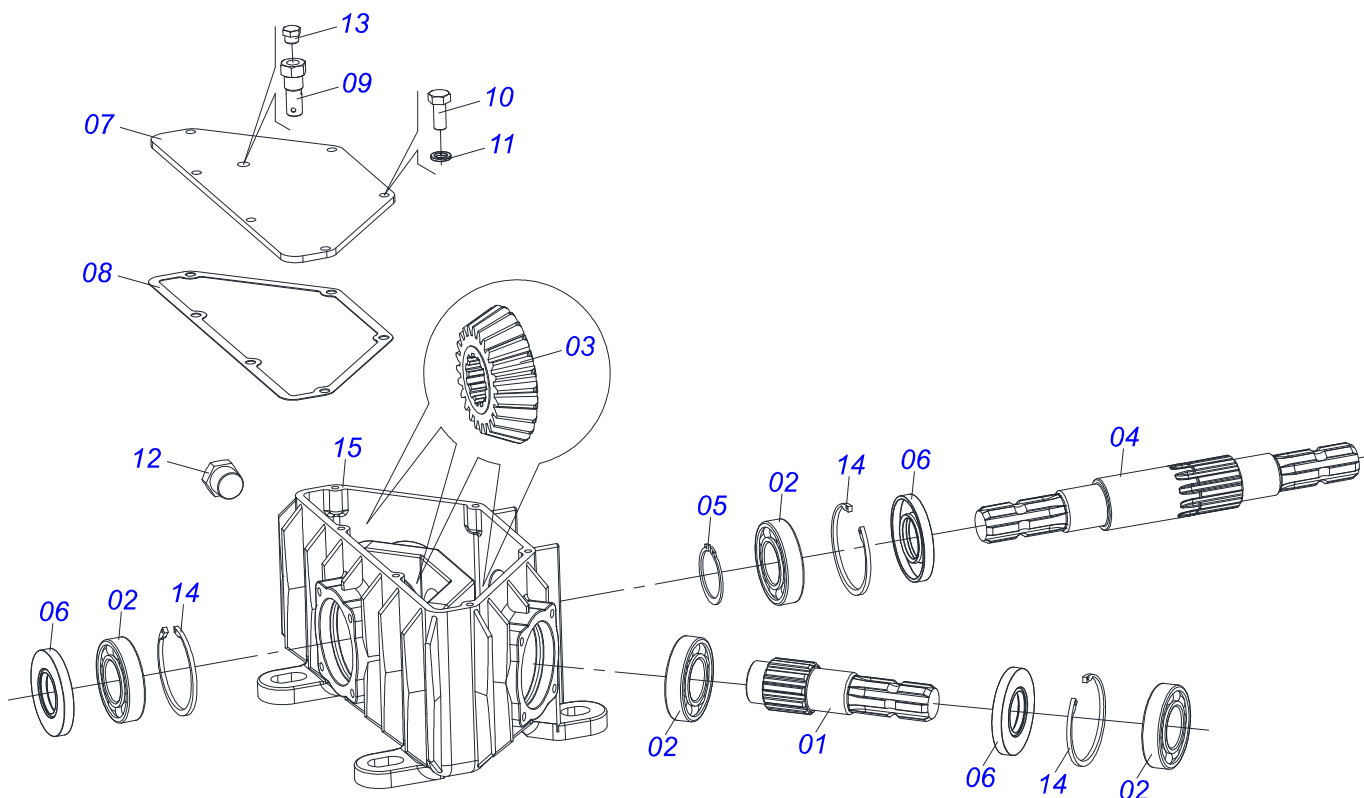


Item	Code	Description	
01	0502012205	BOX MULTIPLIER	01
02	0503010750	30209 BALL BEARING	01
03	0503030084	1/2" X 1/2" X 2.0" STUD	14
04	0503061698	CROWN PINION SET 12Z 12Z AXLE LEFT	01
04A	0503031917	12Z LOWER CONICAL GEAR	01
04B	0503031918	18Z CONICAL GEAR	01
04C	0503032043	UPPER AXLE	01
05	0503014772	501056 CLAMPING RING (FOR AXLE)	01
06	0502012207	COVER MULTIPLIER	01
07	0503012103	5301 -BSEAL	01
08	0503012418	32211 ROLLER BEARING	03
09	0503030783	7.1" X 5.3" X 0.008" JOINT	03
10	0503011440	1/2" SPRING WASHER	14
11	0503010028	1/2" NUT	14
12	0503030785	7.9" X 5.9" X 0.008" JOINT	03
13	0503010286	2-355 N 3006-9B O-RING	01
14	0502012206	LOWER HUB	01
15	0503011420	502100 CLAMPING RING (FOR AXLE)	02
16	0531018823	FLAT WASHER	01
17	0503012311	501065 RENO RING	01
18	0531019302	LOCK RING	01
19	0503013211	6016 BRG SEAL	01
20	0503013201	ARCA 6016 BRG SEAL	01
21	0503031604	1/2" BSP PLUG	01



Item	Code	Description	QT
01	0561017368	ROTARY LOWER SUPPORT	01
02	0561017308	SUPPORT UPPER BASE	01
03	0511019000	BOLT	02
04	0503010812	7/8" UNF SELF ADJUSTING NUT	02
05	0503011447	7/8" SPRING WASHER	02
06	0622400051	24.5" X 3.94" X 0.5" ROTARY CUTTER	02





Item	Code	Description	QT
001	0503030633	SIDE AXLE	02
002	0503011095	6208 BALL BEARING	06
003	0503030632	24Z CONICAL GEAR	03
004	0503030631	CENTRAL AXLE	01
005	0503010372	501050 CLAMPING RING (FOR AXLE)	01
006	0503010818	02675-BRG SEAL	04
007	0511011206	BOX COVER	01
008	0503030656	13.9" X 6.1" X 0.03" JOINT	01
009	0511013020	1.49" BREATHING HOLE	01
010	0503010240	5/16" X 3/4" BOLT	06
011	0503011444	5/16" SPRING WASHER	06
012	0503010856	3/8" OIL PLUG	01
013	0511017907	1/8" BSPT X 6 PLUG	01
014	0503011100	502080 CLAMPING RING (FOR AXLE)	08
015	0502010861	DISTRIBUTOR BOX	01





**MARCHESAN IMPLEMENTOS E MÁQUINAS AGRÍCOLAS TATU S.A.**

AV. Marchesan, 1979 - Post office box, 131 - CEP 15994-900 - Matão - SP - Brazil

Phone +55 16.3382-8282

(FAX Parts) + 55 16.3382. 8297 - (Export) + 55 16.3382.1003

e.mail: [tatu@marchesan.com.br](mailto:tatu@marchesan.com.br)    [www.marchesan.com.br](http://www.marchesan.com.br)

*Drafting and Illustration = GASPARI  
e.mail = [jgaspari@marchesan.com.br](mailto:jgaspari@marchesan.com.br)*

**ORIGINAL PARTS  
TATU**

