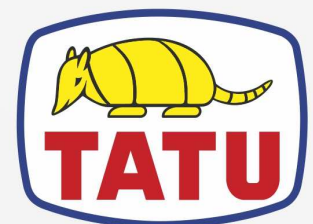


ROTARY CUTTERS

RCA2U 1700

Code: 0501091337
Series: S-0504
Revision: 00
Date Revision: MARÇO/2023

PARTS CATALOGUE



MARCHESAN



PRODUCTS

Code	Description	
0104100017	RCA2/U 1700	S-0504

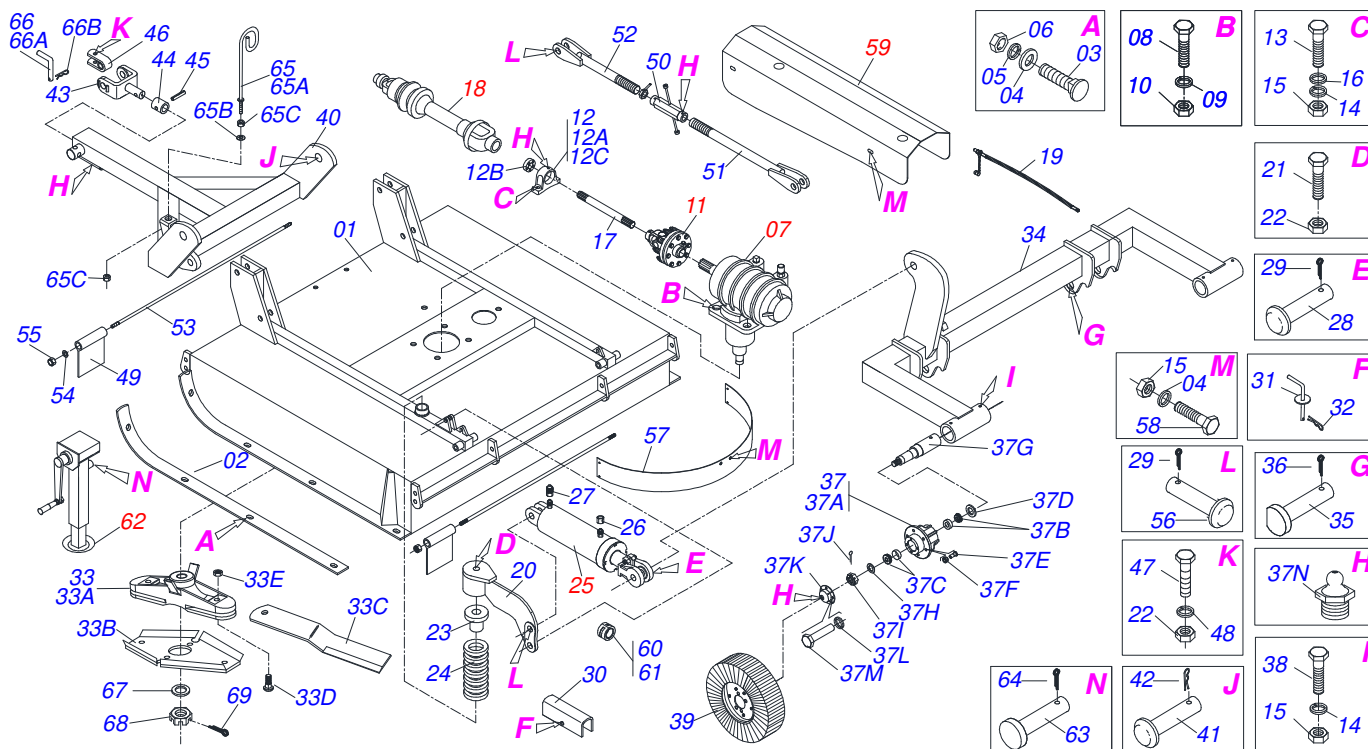
ATTENTION: IMPORTANT

Marchesan S.A. reserves the right to improve and/or modify the technical features of its products, without obligation to do the same with those products already sold and without prior knowledge of the dealer or the customer. The photos are only illustrative.



INDEX

0909091394	RCA2/U 1700	1
0501046978	SPEED MULTIPLIER	2
0511041259	DRAWBAR JACK ASSY	3
0501049129	DRIVE SHAFT	4
0501056010	FRICTION CLUTCH	5
0501049338	HYDRAULIC CYLINDER 44,45 X 85,72 X 515 X 203	6
0501042908	1.7" X 3.4" X 20" X 8" HYDRAULIC CYLINDER	7
0511043586	WHEEL	8
0909091430	(SHEET METAL SUPPORT)SPARE	9

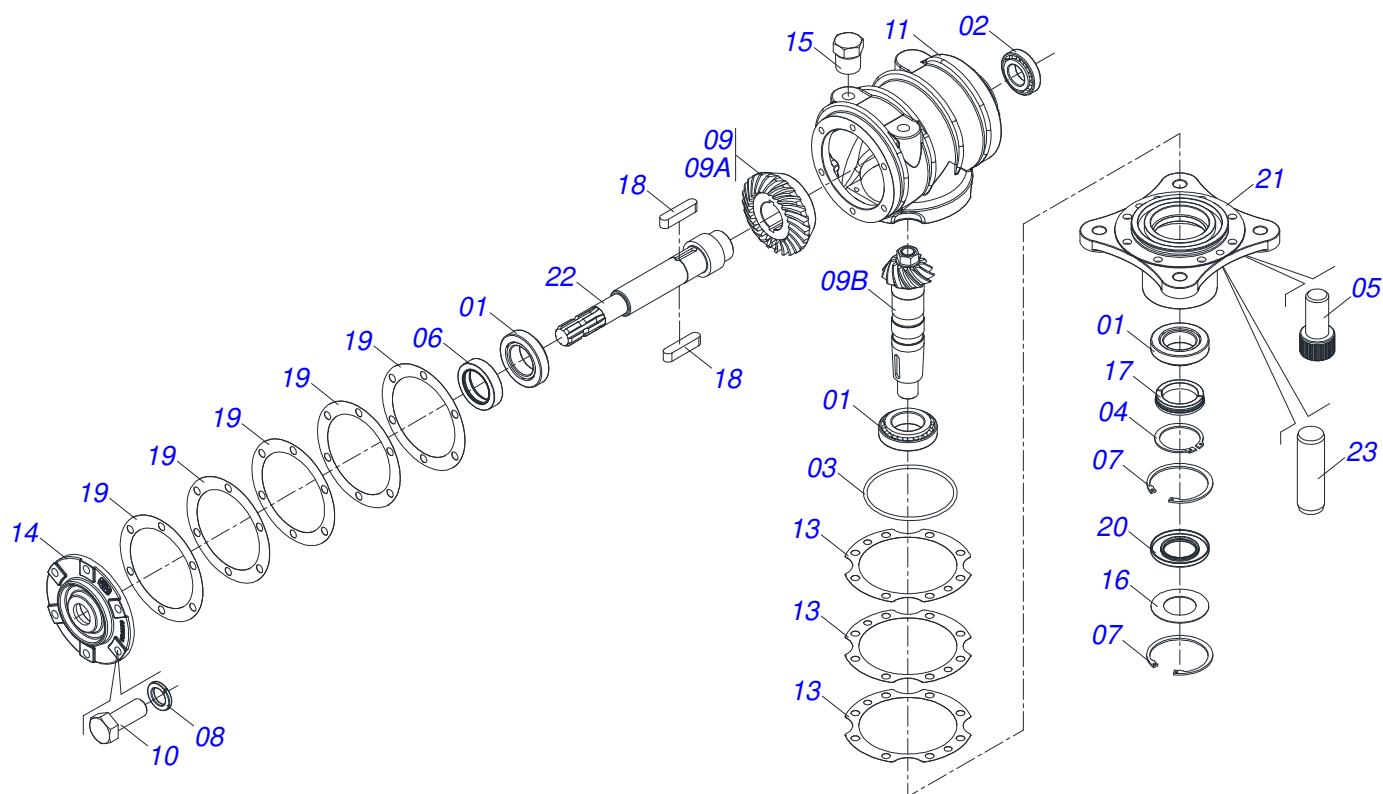


Item	Code	Description	See page
01	0511066342	FRAME	01
02	0541015683	SKID GUIDE	02
03	0503012956	1/2" X 1-1/2" BOLT	08
04	0511017302	FLAT WASHER 13,50 X 32,50 X 3,0 ZN	08
05	0503010019	1/2" SPRING WASHER	02
06	0503010020	1/2"NUT	08
07	0501046978	SPEED MULTIPLIER	2 01
08	0503013185	3/4" X 5-1/2" BOLT	04
09	0503011442	3/4" SPRING WASHER	04
10	0503010014	3/4" HEX NUT	04
11	0501047945	135 KG/M FRICTION ASSY	01
12	0501044307	AGRICULTURAL BEARING ASSY	01
12A	0503010596	AGRICULTURAL HOUSING BEARING	01
12B	0503010597	BALL BEARING	01
12C	0503010691	1/4" GREASE FITTING	01
13	0503010734	1/2" X 2-1/2" BOLT	02
14	0503010019	1/2" SPRING WASHER	08
15	0503010060	1/2 UNC G.5 ZN HEX NUT	01
16	0511017302	FLAT WASHER 13,50 X 32,50 X 3,0 ZN	02
17	0541015686	TRANSMISSION AXLE	01
18	0501049129	DRIVE SHAFT	4 01
19	0501081007	3/8" X 4650 TR-TM HOSE ASSY	01
20	0511066344	CYLINDER FIXER	01
21	0503011432	BOLT	01
22	0501010059	1.5/8 NUT	02
23	0502011486	SPRING GUIDE	01
24	0503031390	2.1"X10"X1/2" COMPRESSION SPRING	01
25	0501049338	HYDRAULIC CYLINDER 44,45 X 85,72 X 515 X 203	6 01
26	0511017628	BREATHING HOLE OF THE CYLINDER H1DR	01
27	0511018012	HIDRAULIC ADAPTER	02
28	0521010575	C0.9" X 3.3" COUPLING SHAFT	02

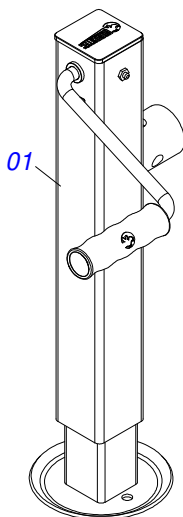
Item	Code	Description	See page
29	0503010571	1/4" X 1.1/2 COTTERPIN	06
30	0511010420	8.5" X 1.8" TRANSPORT LOCK	01
31	0501068994	8,30 X 78 LOCK PIN	01
32	0503030168	HITCH PIN CLIP	01
33	0501055982	SUPPORT ROTARY CUTTER BLADES 540	01
33A	0502011571	SUPPORT ROTARY CUTTER BLADES	01
33B	0541011990	SUPPORT PROTECTION FIXER	01
33C	0622400011	610 X 100 X 12 ROTARY CUTTER	02
33D	0511019000	BOLT	02
33E	0503010812	7/8" UNF SELF LOCKING NUT	02
34	0511066348	WHEEL RCA2/U 1700	01
35	0541015699	LOCK PIN	02
36	0503010534	3/8 X 2-1/2 COTTERPIN	02
37	0501054931	STUB SHAFT & HUB	02
37A	0502011121	CARRYING WHEEL HUB	01
37B	0503010006	32210 ROLLER BEARING	01
37C	0503010037	30207 ROLLER BEARING	01
37D	0503012928	SEAL	01
37E	0501010127	9/16" X 1-7/8" LUG BOLT	06
37F	0503010035	9/16" CONIC NUT	06
37G	0541010739	2.5" X 12.2" AXLE	01
37H	0501016545	FLAT WASHER	01
37I	0503030009	1" CASTLE NUT	01
37J	0503010018	5/32 X 1-1/2 COTTERPIN	01
37K	0502020591	PROTECCION COVER	01
37L	0503011444	SPRING WASHER	04
37M	0503010358	5/16" X 5/8" BOLT	04
37N	0503010002	1800 GREASE FITTING	02
38	0503010706	BOLT 1/2 UNC X 4.1/2 C S G.5 ZN	04
39	0511043586	WHEEL	8 02
40	0511066343	DRAWBAR	01
41	0521010629	1.1" X 5.1" COUPLING SHAFT	02
42	0503030430	7/16 X 2" PIN LOCK	02
43	0501063628	ROTARY HITCH	01
44	0501017106	1.5" X 2.2" X 1.6" BUSHING	01
45	0503010815	0.5" X 2.16" SPRING PIN	01
46	0501063629	U TRACTOR HITCH	01
47	0501010191	1" X 6" BOLT	01
48	0503011438	SPRING WASHER	01
49	0511066345	FRONT PROTECTION AND REAR	24
50	0501110252	185 ADJUSTMENT NUT	01
51	0511066346	1492 TURNBUCKLE	01
52	0511066347	482 TURNBUCKLE	01
53	0541015685	1790 ROD	02
54	0501010984	10,50 X 27 X 3,00 FLAT WASHER	04
55	0503010026	3/8" NUT	04
56	0521010572	0.9" X 2.9" COUPLING SHAFT	04
57	0541015986	REAR PROTECTION LOWER	01
58	0503010834	1/2 X 1 BOLT	10
59	0541015687	PROTECTION COVER	01
60	0501047889	1.96" ROD STOP	01
61	0501047896	1.18" ROD STOP	01
62	0511041259	DRAWBAR JACK ASSY	3 01
63	0521010549	COUPLING SHAFT	01
64	0503030168	HITCH PIN CLIP	01
65	0501043004	3/4" X 26" HOSE HOLDER	01
65A	0501017992	3/4" X 648 HOSE HOLDER	01
65B	0503011442	3/4" SPRING WASHER	01
65C	0503010014	3/4" HEX NUT	02



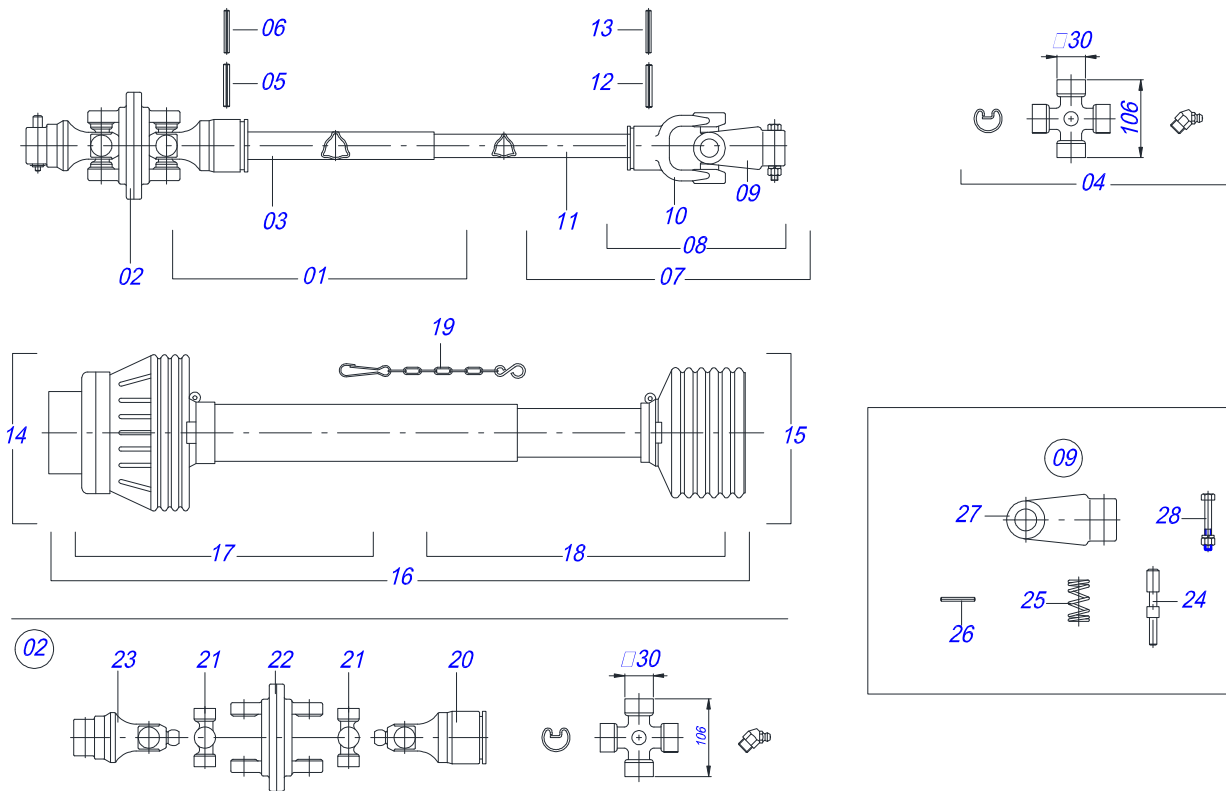
Item	Code	Description	See page
66	0501040343	DRAWBOLT ASSY	01
66A	0521010453	AXI SHAFT	01
66B	0503031035	HITCH PIN CLIP	01
67	0501017779	32 X 60 X 4.75 FLAT WASHER	03
68	0503011052	1.1/4" X 0.77" CASTLE NUT	03
69	0503010067	3/16" X 2.1/2" COTTER PIN	01



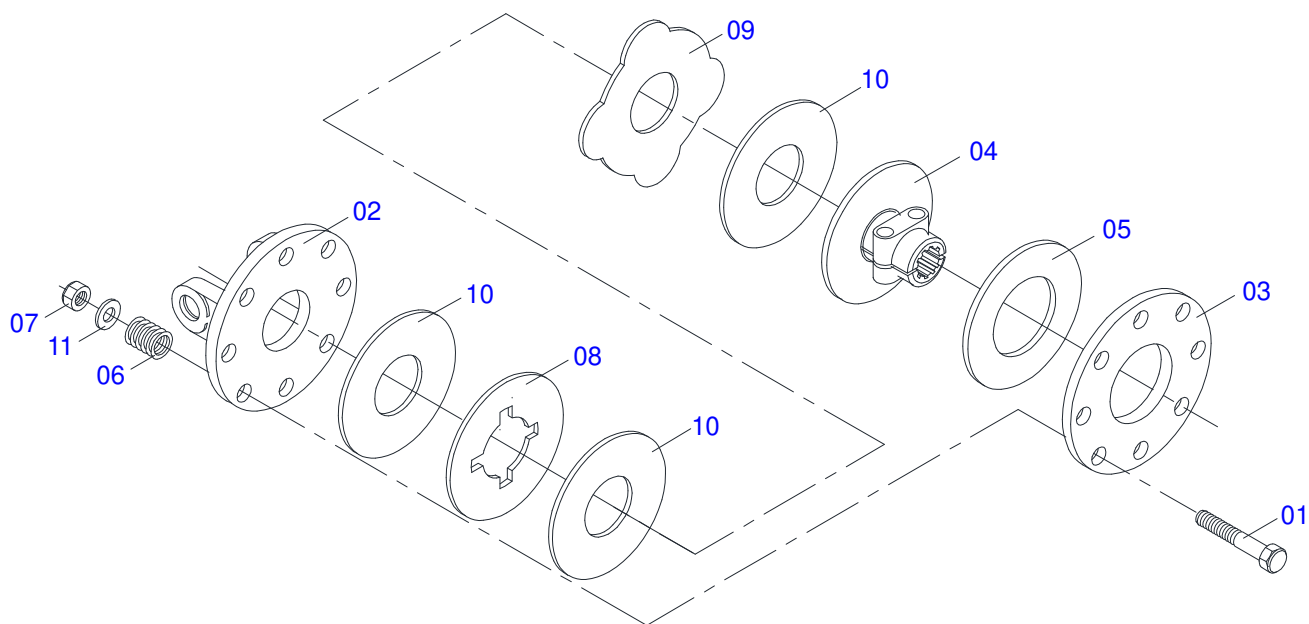
Item	Code	Description	See page	QT
01	0503010006	32210 ROLLER BEARING		03
02	0503010037	30207 ROLLER BEARING		01
03	0503010286	2-355 N 3006-9B O'RING		01
04	0503010396	501060 CLAMPING RING (FOR AXLE)		01
05	0503010562	1/2" X 1" BOLT		08
06	0503011171	00912-BRG SEAL		01
07	0503011190	SEAL RING		02
08	0503011440	SPRING WASHER		06
09	0503060211	CROWN PINION SET		01
09A	0503050069	25Z CONICAL GEAR		01
09B	0503061048	PINION		01
10	0503010395	1/2" X 1-1/4" BOLT		06
11	0502010983	RIGHT MULTIPLIER BOX		01
12	3402301247	MINERAL OIL GREASE		2,5Lts
13	0503030785	7.9" X 5.9" X 0.008" JOINT		03
14	0502010986	SMALLER COVER		01
15	0503031604	1/2" BSP PLUG		02
16	0521018064	FLAT WASHER		01
17	0511010142	LOCK RING		01
18	0501010536	KEYWAY SQUARE		02
19	0503030783	7.1" X 5.3" X 0.008" JOINT		05
20	0503011047	5089 SEAL		01
21	0502011393	LOWER HUB		01
22	0503050068	UPPER AXLE		01
23	0503017877	PIN GUIDE		02



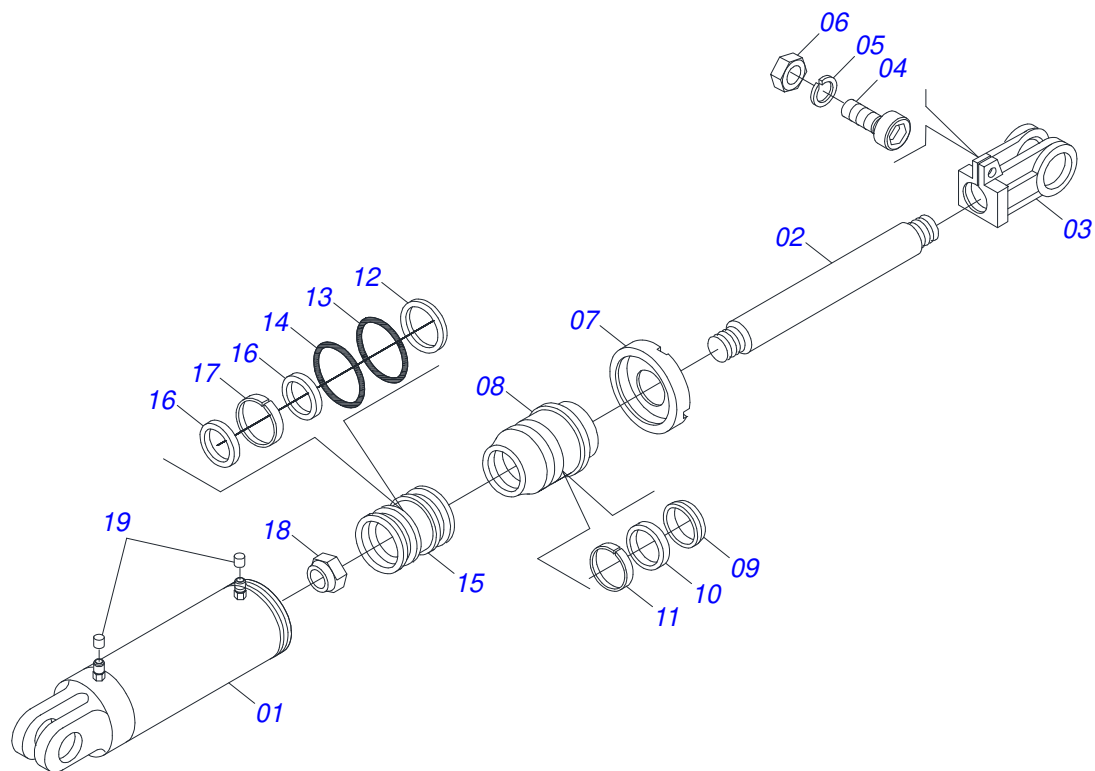
Item	Code	Description	See page	QT
01	0503062157	DRAWBAR JACK		01



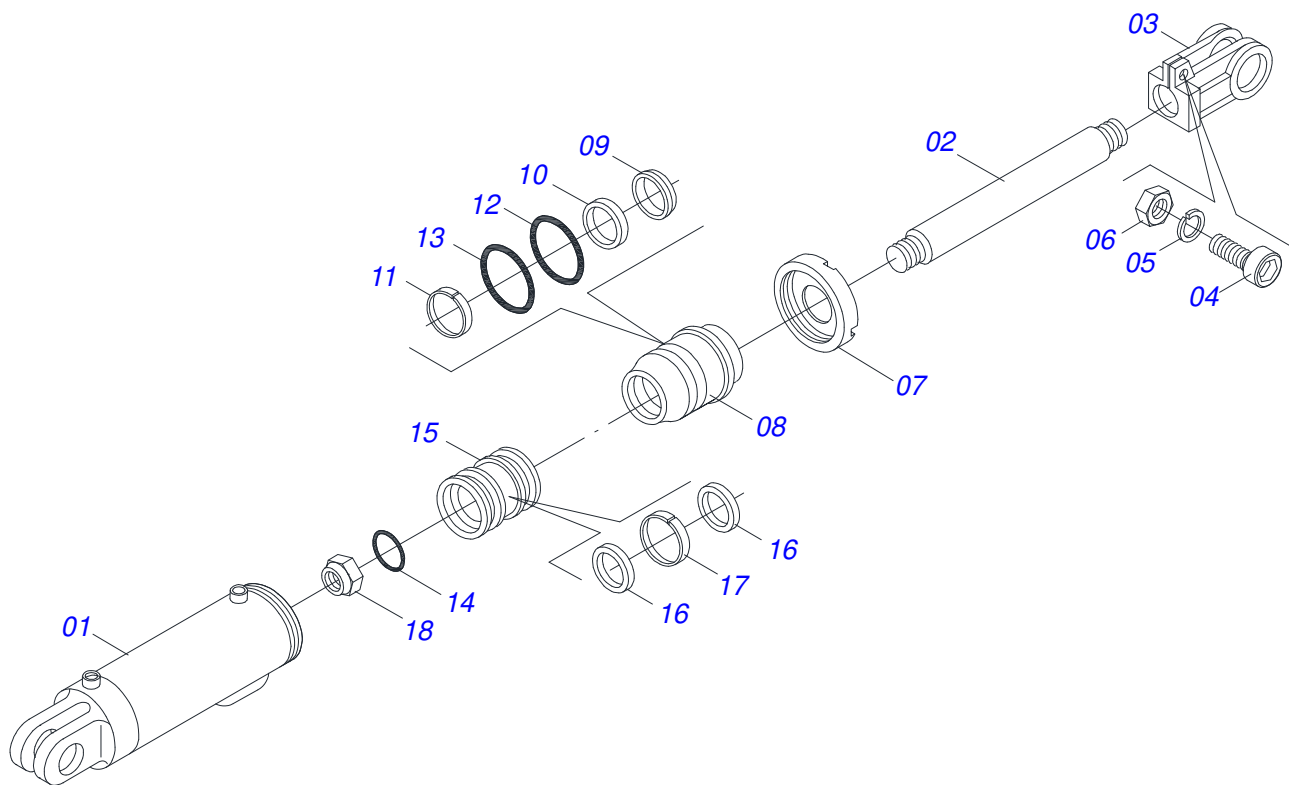
Item	Code	Description	See page	QT
01	0501052544	HOMO JOINT WITH FEMALE BUSHING		01
02	0501052518	HOMOCINETIC JOINT ASSY		01
03	0503012618	2.1" X 2.0" X 31" TRIAN FEMALE TUB		01
04	0503010837	CARDAN CROSSPIECE		01
05	0503010843	0.4" X 3.3" SPRING PIN		01
06	0503011878	0.2" X 3.3" SPRING PIN		01
07	0501052545	UNIVERSAL JOINT WITH CROSS/SHAFT		01
08	0501052546	UNIVERSAL JOINT		01
09	0501052516	T6-60 TERMINAL WITH SCREW		01
10	0503012600	T3-60/CI52 TERMINAL		01
11	0503012619	1.8" X 1.7" X 31" TRIAN MALE TUB		01
12	0503011069	0.4" X 2.8" SPRING PIN		01
13	0503011805	0.2" X 2.8" SPRING PIN		01
14	0501052548	HOMO JOINT WITH PROT FEMALE BUSHING		01
15	0501052549	UNIVERSAL JOINT WITH SHAFT/PROT		01
16	0503012620	PROTECTION ASSY		01
17	0503012621	PROTECTION FOR HOMO JOINT AND SLEEV		01
18	0503012076	PROTECTION FOR UNIV JOINT AND AXLE		01
19	0503012023	CHAIN FOR PROTECTION		01
20	0503012604	HOMO TERMINAL W/ FEMALE BUSHING		01
21	0503012605	CROSSPIECE		02
22	0503012606	CENTER BODY		01
23	0503012607	TRACTOR HOMOCINETIC TERMINAL		01
24	0503037375	PIN QUICK COUPLING		02
25	0503030518	0.5"X1.0"X 0.1" COMPRESSION SPRING		02
26	0503010838	0.1" X 0.8" SPRING PIN		02
27	0502010830	6-60 STRIATED 1.3/8" TERMINAL		01
28	0501047756	1/2" X 3" SET PARTS		02



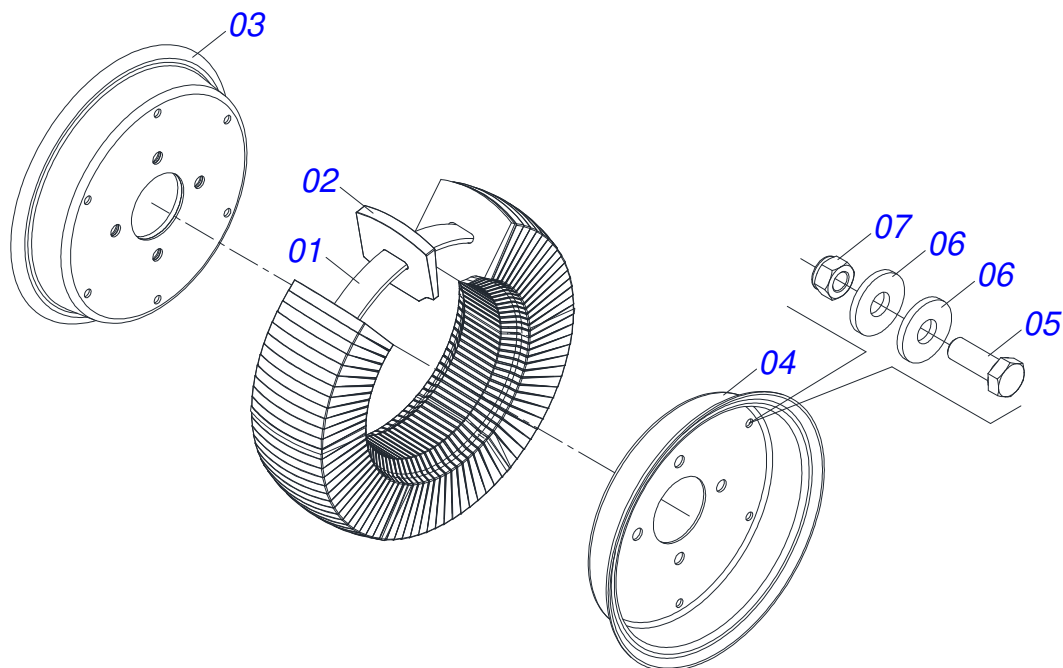
Item	Code	Description	See page	QT
01	0503013564	FRICTION BOLT		08
02	0503013554	FLANGE		01
03	0503013557	COUPLING DISC		01
04	0503013556	CENTRAL CORE		01
05	0503013555	FRICTION DISC		01
06	0503013558	FRICTION SPRING		08
07	0503013559	FRICTION NUT		08
08	0503013561	NOTCHED DISC		01
09	0503013560	INTERMEDIATE DISC		01
10	0503013562	FRICTION DISC		03
11	0503013563	FRICTION WASHER		08



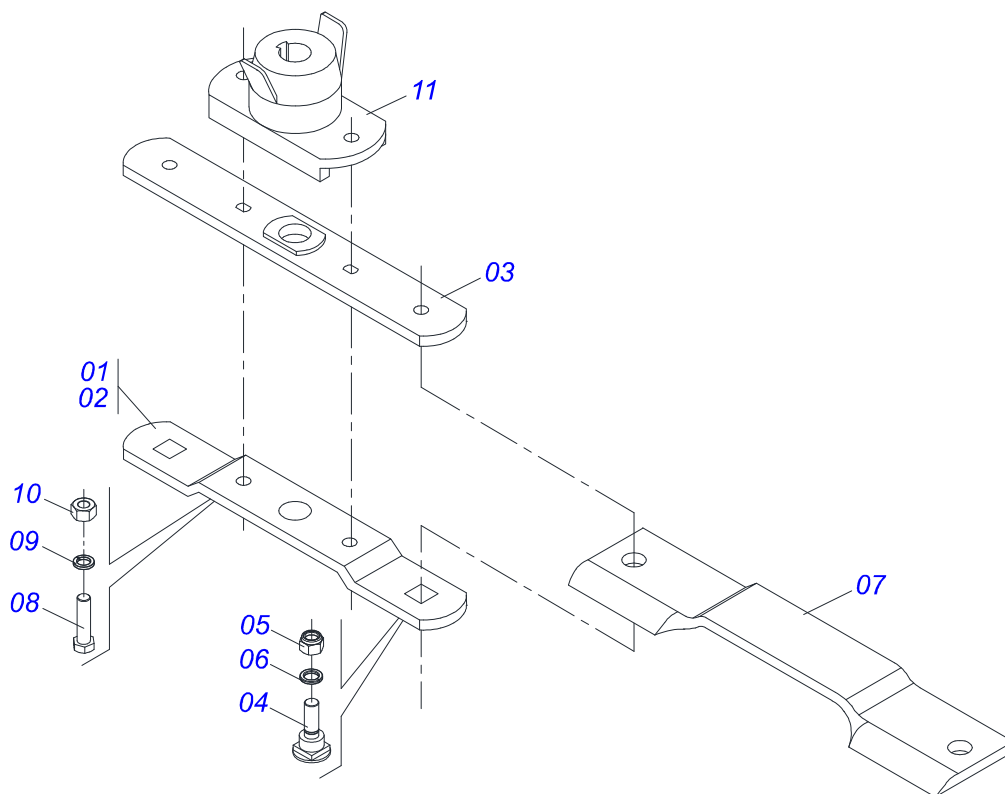
Item	Code	Description	See page	QT
01	0511061588	3.4" X 16" CYLINDER CASE		01
02	0521010421	HYDRAULIC CYLINDER TURNBUCKLE		01
03	0502040747	32.54 CLEVIS CLAMP		01
04	0503011094	3/8" X 2" BOLT		01
05	0503010025	3/8 SPRING WASHER		01
06	0503010026	3/8" NUT		01
07	0502010993	DETACHABLE COVER		01
08	0502010781	RING SUPPORT		01
09	0503010761	D-1750 SCRAPER RING		01
10	0503010990	GASKET		01
11	0503010949	W2-2000-500 PK RING G.E		01
12	0503011060	8-336 BACK-UP RING		01
13	0503010976	2-336 N 3006-9B O'RING		01
14	0503010042	2-214 N 3006-9B O'RING		01
15	0502010843	1.8" X 3.4" PISTON		01
16	0503010170	PACKING 3120 2750		02
17	0503010948	W4-3346-590 PK RING G.E		01
18	0503010063	1" SELF-ALIGNING NUT		01
19	0503030385	CYLINDER PLUG N-002		02
20	0501031796	HYDRAULIC CYLINDER REPAIR KIT		01



Item	Code	Description	See page
01	0501064255	2.4" X 8" CYLINDER CASE	01
02	0501018532	1.7" X 15.6" TURNBUCLE	01
03	0502040493	CLEVIS 26,50 R41	01
04	0503011094	3/8" X 2" BOLT	01
05	0503010025	3/8 SPRING WASHER	01
06	0503010026	3/8" NUT	01
07	0502010993	DETACHABLE COVER	01
08	0502010781	RING SUPPORT	01
09	0503010761	D-1750 SCRAPER RING	01
10	0503010990	GASKET	01
11	0503010949	W2-2000-500 PK RING G.E	01
12	0503011060	8-336 BACK-UP RING	01
13	0503010976	2-336 N 3006-9B O'RING	01
14	0503010042	2-214 N 3006-9B O'RING	01
15	0502010843	1.8" X 3.4" PISTON	01
16	0503010170	PACKING 3120 2750	02
17	0503010948	W4-3346-590 PK RING G.E	01
18	0503010063	1" SELF-ALIGNING NUT	01
19	0501031796	HYDRAULIC CYLINDER REPAIR KIT	



Item	Code	Description	See page	QT
01	0511014700	SEGMENT WHEEL RING 1330		01
02	0511014699	WHEEL SEGMENT 525 X 135		90
03	0511066428	SEMI RING WITH REINFORCEMENT		01
04	0541016122	SEMI RING		01
05	0503010237	3/8" X 1" BOLT		06
06	0501012803	FLAT WASHER		12
07	0503010026	3/8" NUT		06



Item	Code	Description	See page	QT
01	0501056326	SUPPORT WITH ROTARY CUTTER BLADES		01
02	0561017368	ROTARY LOWER SUPPORT		01
03	0561017308	SUPPORT UPPER BASE		01
04	0511019000	BOLT		02
05	0503010812	7/8" UNF SELF LOCKING NUT		02
06	0503011447	SPRING WASHER		02
07	0622400057	21.6" X 3.94" X 0.5" ROTARY CUTTER		02
08	0503010901	3/4UNC 3.1/2 BOLT		02
09	0503010023	3/4" SPRING WASHER		02
10	0503010014	3/4" HEX NUT		02
11	0502012453	SUPPORT FLANGE		01



MARCHESAN

Technical Publications | Elaboration and Revision

LUIZ CANDIDO

www.marchesan.com.br

