

ROTARY CUTTERS

RC2 4500

Code: 0501091336
Series: S-0400
Revision: 00
Date Revision: MARÇO/2023

PARTS CATALOGUE



MARCHESAN



PRODUCTS

Code	Description
0104070012	RC2 4500 S-0400
0104070016	RC2 4500 TERRAMEC S-400
0104070019	RC2 4500 C/ROCADOR CM S-0400
0104070018	RC2 4500 ROCADOR CM S-0400
0104070021	RC2 4500 S/RODA SEGM TERRAMEC S-400

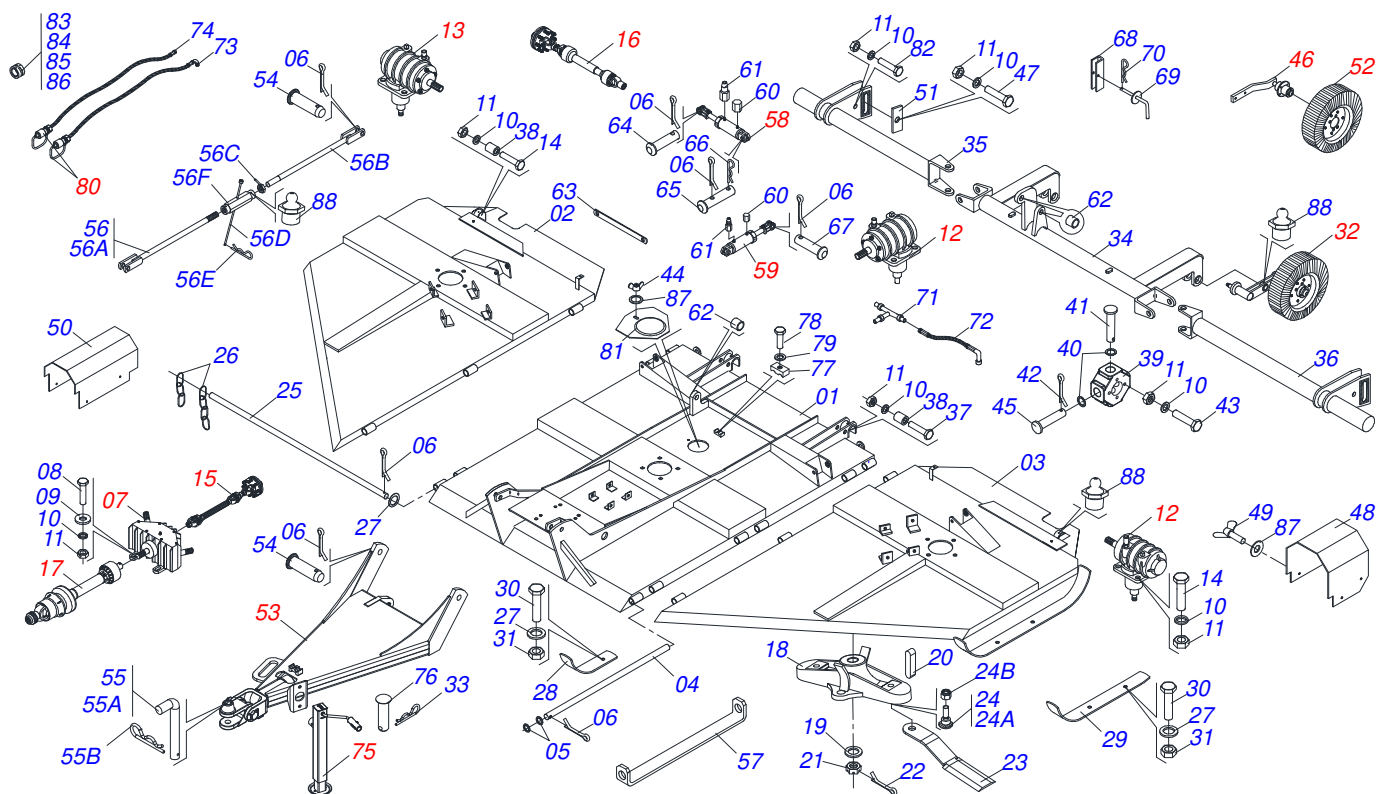
ATTENTION: IMPORTANT

Marchesan S.A. reserves the right to improve and/or modify the technical features of its products, without obligation to do the same with those products already sold and without prior knowledge of the dealer or the customer. The photos are only illustrative.



INDEX

0909090288	ROTARY CUTTER 4500 RC2	1
0501044074	TRIPE DISTRIBUTOR	2
0501046948	MULTIPLIER	3
0501046978	SPEED MULTIPLIER	4
0501049130	DRIVE SHAFT	5
0501047953	90 KGM FRICTION	6
0501049131	DRIVE SHAFT	7
0501049129	DRIVE SHAFT	8
0909091389	WALKING BEAM RIGHT/LEFT ASSY	9
0501054971	SIDE WHEEL WITHOUT TIRE	10
0501043559	SEGMENTED WHEEL 525	11
0501053006	HEAD WITH TRACTOR HITCH	12
0511041449	1.7" X 3.4" X 20" HYDRAULIC CYLINDER	13
0501048464	1.7" X 3.4" X 21" X 7" HYDRAULIC CYLINDER	14
0511041259	DRAWBAR JACK ASSY	15
0503062157	DRAWBAR JACK	16
0501043642	RUBBER WHEEL ASSY	17
0909091430	(SHEET METAL SUPPORT)SPARE	18



Item	Code	Description	See page	CM	DM
01	0511062050	CENTRAL FRAME		01	01
02	0511062051	RIGHT SIDE FRAME		01	01
03	0511062052	LEFT SIDE FRAME		01	01
04	0511017240	1" X 87.4" ROD		02	02
05	0501011445	FLAT WASHER		04	04
06	0503010571	1/4" X 1.1/2 COTTERPIN		14	14
07	0501044074	TRIPE DISTRIBUTOR	2	01	01
08	0501010125	3/4" X 2-1/2" BOLT		04	04
09	0501010322	FLAT WASHER		04	04
10	0503010023	3/4" SPRING WASHER		20	20
11	0503010014	3/4" HEX NUT		20	20
12	0501046948	MULTIPLIER	3	02	02
13	0501046978	SPEED MULTIPLIER	4	01	01
14	0501010370	3/4" X 5-1/2" BOLT		14	14
15	0501049130	DRIVE SHAFT	5	01	01
16	0501049131	DRIVE SHAFT	7	02	02
17	0501049129	DRIVE SHAFT	8	01	01
18	0502011570	SUPPORT ROTARY CUTTER BLADES		02	02
18.	0502011571	SUPPORT ROTARY CUTTER BLADES		01	01
19	0501017779	32 X 60 X 4.75 FLAT WASHER		03	03
20	0501010536	KEYWAY SQUARE		06	06
21	0503011052	1.1/4" X 0.77" CASTLE NUT		03	03
22	0503010067	3/16" X 2.1/2" COTTER PIN		03	03
23	0622400051	24.5" X 3.94" X 0.5" ROTARY CUTTER		06	00
23.	0622340052	24.5" X 3.94" X 0.5" ROTARY CUTTER		06	00
24	0501047573	BOLT		06	06
24A	0511019000	BOLT		06	06
24B	0503010812	7/8" UNF SELF LOCKING NUT		06	06
25	0511012252	63" ROD OF THE CHAIN		01	01
25.	0511012253	71.2" ROD OF THE CHAIN		02	02
26	0511011774	8,00 CHAIN 4 LINK		138	138

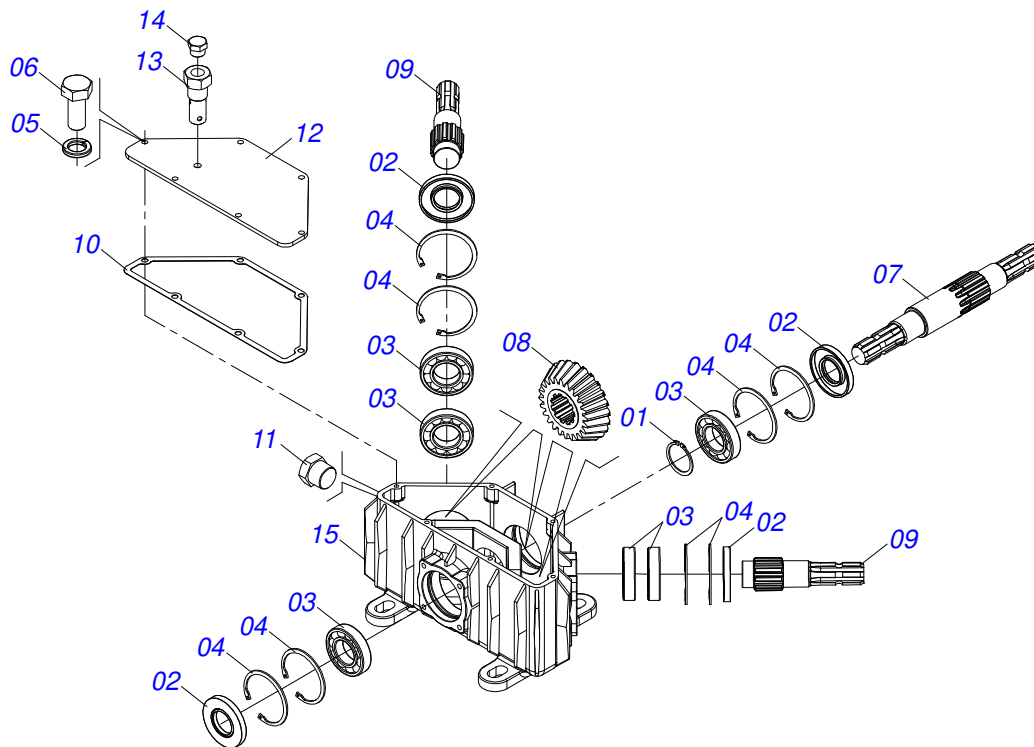
Item	Code	Description	See page	CM	DM
27	0511017302	FLAT WASHER 13,50 X 32,50 X 3,0 ZN		16	16
28	0521018988	SKID MIDDLE GUIDE		02	02
29	0521018989	SKID SIDE GUIDE		02	02
30	0503012956	1/2" X 1-1/2" BOLT		10	10
31	0503010020	1/2"NUT		10	10
32	0501045566	ROCKER ARM RIGHT ASSY		01	01
32.	0501045567	ROCKER ARM LEFT ASSY		01	01
33	0503030168	HITCH PIN CLIP		01	01
34	0501067127	MIDDLE CARRYING WHEELS ASSY		01	01
35	0501065217	RIGHT SIDE CARRYING WHEELS ASSY		01	01
36	0501065215	LEFT SIDE CARRYING WHEELS ASSY		01	01
37	0503011198	C3/4" X 6" SCREW		02	02
38	0511017147	0.8" X 1.2" X 4.1" BUSHING		02	02
39	0502011268	ARTICULATOR BODY		02	02
40	0521010907	FLAT WASHER		08	08
41	0521010627	1.2" X 2.8" CROSSPIECE COUP SHAFT		04	04
42	0503010523	1/4" X 2" COTTERPIN		02	02
43	0501011048	3/8" X 2-1/2" BOLT		04	04
44	0503010209	3/8" UNC BUTTERFLY NUT		04	04
45	0521018993	CROSSPIECE COUPLING SHAFT		02	02
46	0501054971	SIDE WHEEL WITHOUT TIRE	10	02	02
47	0503013185	3/4" X 5-1/2" BOLT		02	02
48	0531018035	COVER OF RIGHT PROTECTION		01	01
48.	0531018036	COVER OF LEFT PROTECTION		01	01
49	0503012904	3/8" BUTTERFLY BOLT		12	12
50	0531018034	COVER OF CENTER PROTECTION		01	01
51	0502012231	SQUARE WASHER		04	04
52	0501043559	SEGMENTED WHEEL 525	11	02	02
53	0501053006	HEAD WITH TRACTOR HITCH	12	01	01
54	0521010572	0.9" X 2.9" COUPLING SHAFT		04	04
55	0501040343	DRAWBOLT ASSY		01	01
55A	0521010453	AXI SHAFT		01	01
55B	0503031035	HITCH PIN CLIP		01	01
56	0501051263	ROD STABILIZER ASSY		01	01
56A	0521064850	ROD STABILIZER		01	01
56B	0521064851	ROD STABILIZER		01	01
56C	0501064974	LOCKNUT WITH HANDLER		01	01
56D	0501066104	VARON RIGTH JACK CABLE		01	01
56E	0503030168	HITCH PIN CLIP		01	01
56F	0521064756	ADJUSTING NUT		02	02
57	0531018343	SIDE FRAME PROTECTION		01	01
58	0511041449	1.7" X 3.4" X 20" HYDRAULIC CYLINDER	13	01	01
59	0501048464	1.7" X 3.4" X 21" X 7" HYDRAULIC CYLINDER	14	02	02
60	0511017628	BREATHING HOLE OF THE CYLINDER HIDR		03	03
61	0511018012	HIDRAULIC ADAPTER		02	02
62	0511019921	1.3" X 0.1" X 1" SLEEVE		02	02
63	0511011755	LATERAL TRANSPORT LOCK		02	02
64	0521010585	0.9" X 5.9" COUPLING SHAFT		02	02
65	0521010586	0.9" X 6.1" COUPLING SHAFT WITH 2 H		02	02
66	0503030012	HITCH PIN CLIP		02	02
67	0521010575	C0.9" X 3.3" COUPLING SHAFT		02	02
68	0511010420	8.5" X 1.8" TRANSPORT LOCK		01	01
69	0501068994	8,30 X 78 LOCK PIN		01	01
70	0503030168	HITCH PIN CLIP		02	02
71	0501072676	OIL DISTRIBUTOR BODY		01	01
72	0501080396	3/8" X 45" HOSE		02	02
73	0501080361	3/8" X 157" TR-TM HOSE		01	01
74	0501080446	3/8 X" 169" TC-TM HOSE ASSY		01	01
75	0511041259	DRAWBAR JACK ASSY	15	01	01



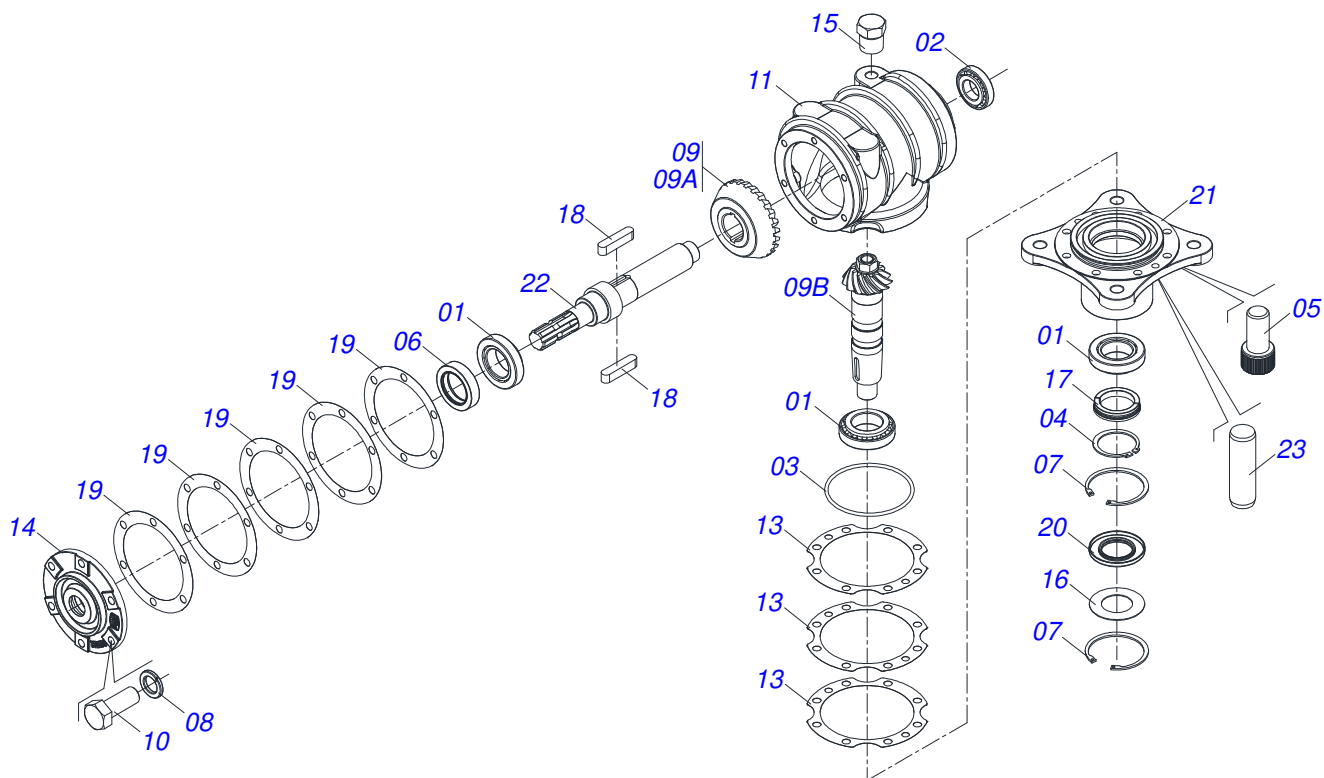
ROTARY CUTTER 4500 RC2

0909090288

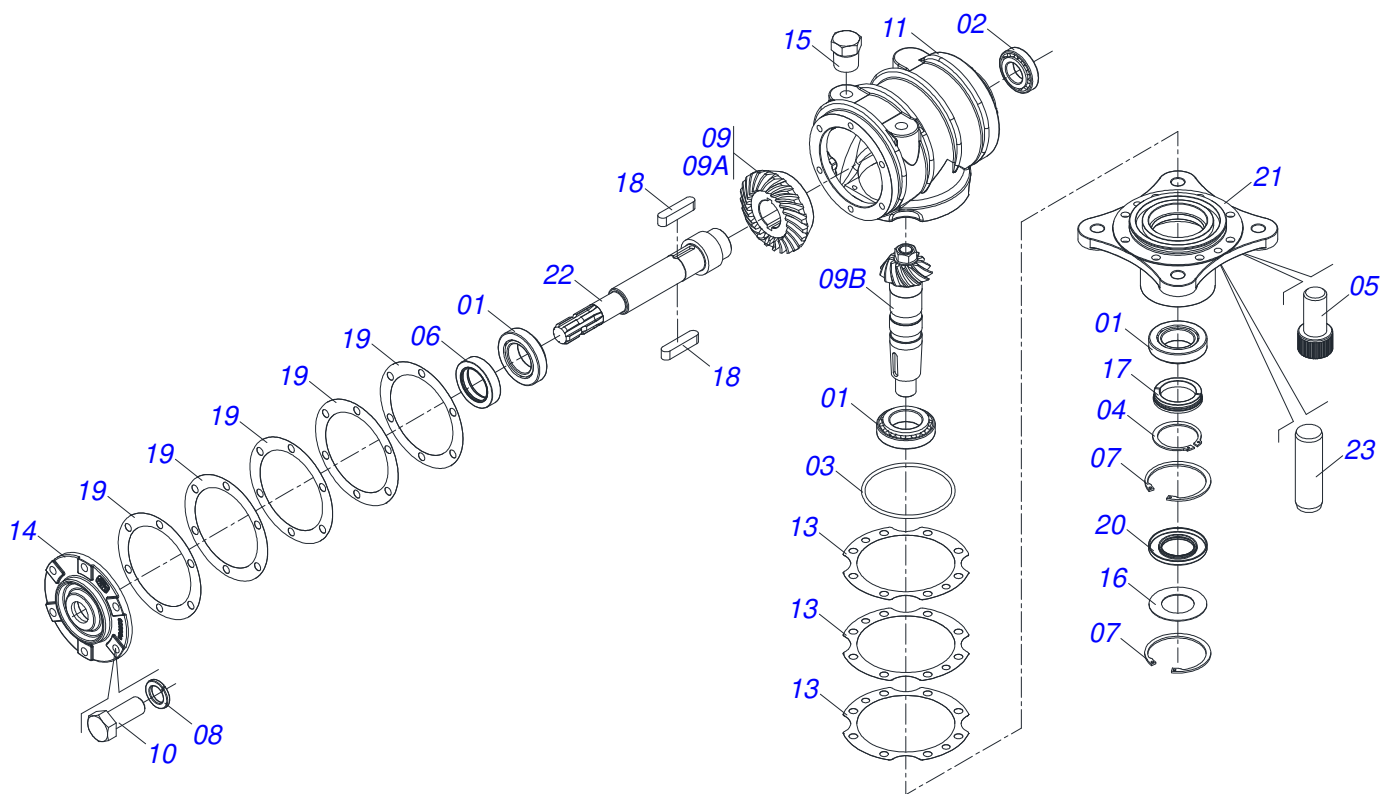
Item	Code	Description	See page	CM	DM
75.	0503062157	DRAWBAR JACK	16	01	01
76	0521010549	COUPLING SHAFT		01	01
77	0502010477	HOSE CLAMP		02	02
78	0503010751	C3/8" X 1.1/4" HEX BOLT G.5		02	02
79	0503010025	3/8 SPRING WASHER		02	02
80	0501053834	MALE QUICK COUPLER		02	02
81	0511010421	COVER CENTRAL BASE		01	01
82	0503012334	3/4" UNC X 3.1/2" BOLT		02	02
83	0501047884	0.98" ROD STOP		01	01
84	0501047885	30 ROD STOP		01	01
85	0501047888	45 ROD STOP		01	01
86	0501047898	1.57" ROD STOP		01	01
87	0501010984	10,50 X 27 X 3,00 FLAT WASHER		12	12
88	0503010002	1800 GREASE FITTING		06	06



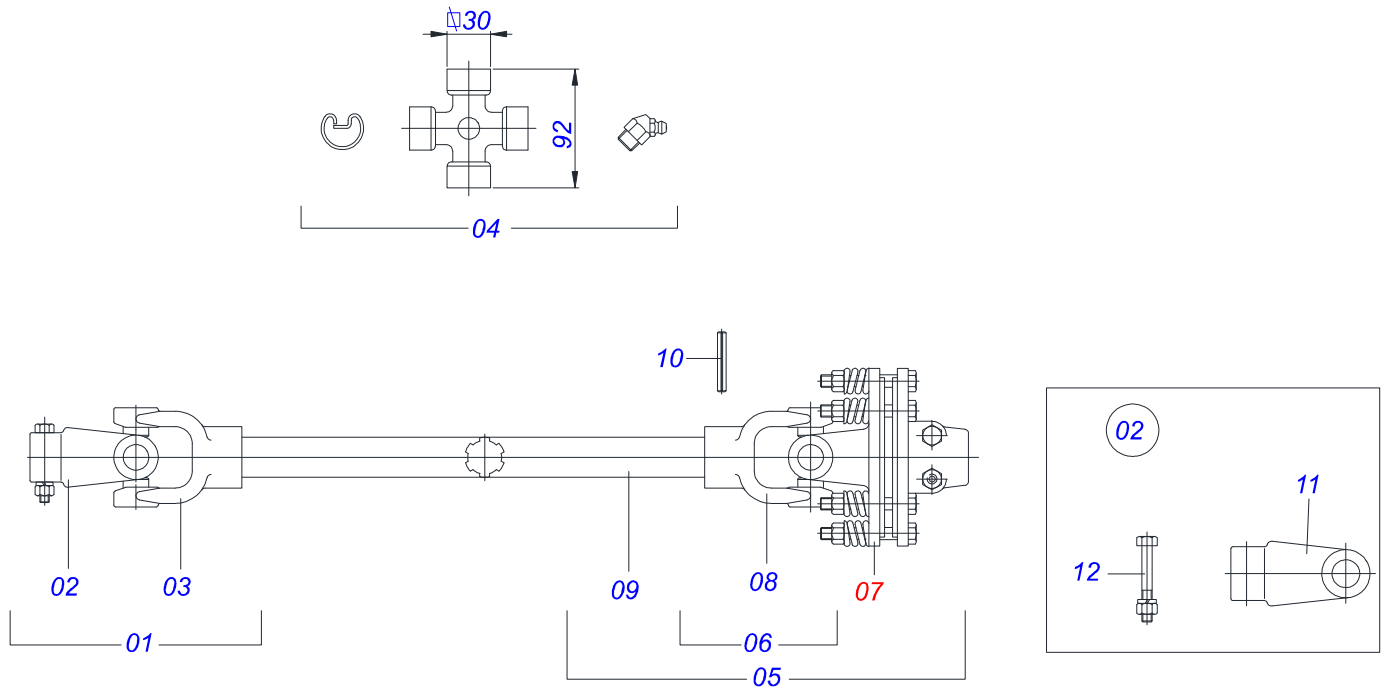
Item	Code	Description	See page	QT
01	0503010372	501050 CLAMPING RING (FOR AXLE)		01
02	0503010818	02675-BRG SEAL		04
03	0503011095	6208 BALL BEARING		06
04	0503011100	502080 CLAMPING RING (FOR AXLE)		08
05	0503011444	SPRING WASHER		06
06	0503010240	BOLT		06
07	0503030631	CENTRAL AXLE		01
08	0503030632	24Z CONICAL GEAR		03
09	0503030633	SIDE AXLE		02
10	0503030656	13.9" X 6.1" X 0.03" JOINT		01
11	0503010856	OIL PLUG		01
12	0511011206	BOX COVER		01
13	0511013020	1.49" BREATHING HOLE		01
14	0511017907	1/8" BSPT X 6 PLUG		01
15	0502010861	DISTRIBUTOR BOX		01
16	3402301247	MINERAL OIL GREASE		02Lts



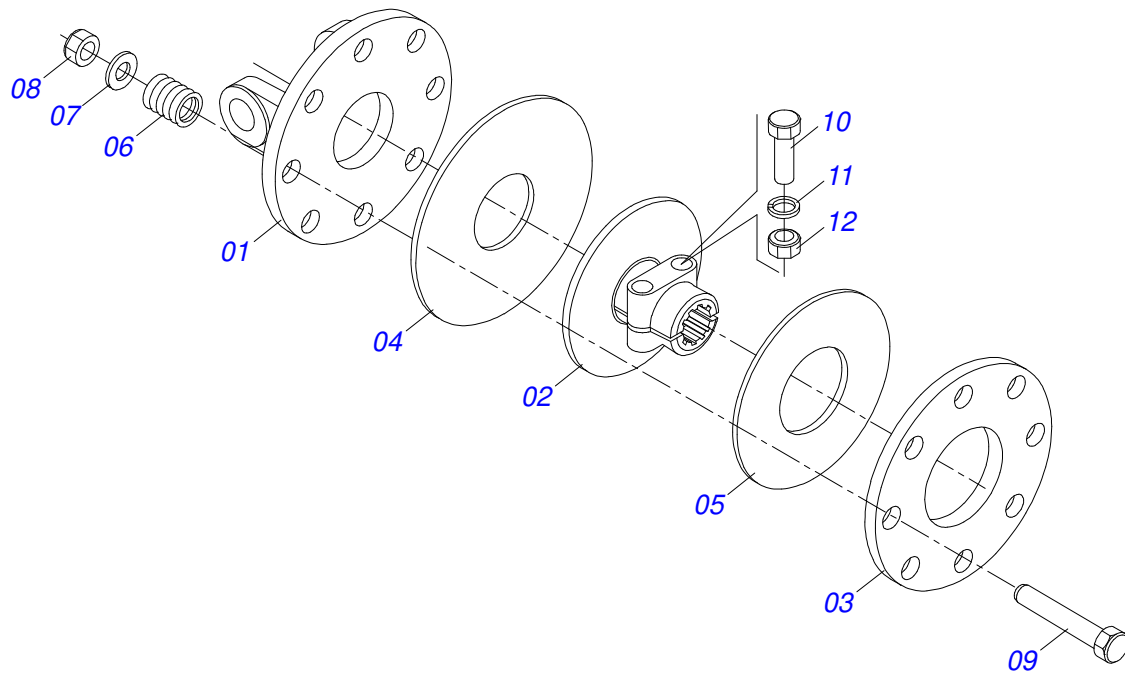
Item	Code	Description	See page	QT
01	0503010006	32210 ROLLER BEARING		03
02	0503010037	30207 ROLLER BEARING		01
03	0503010286	2-355 N 3006-9B O'RING		01
04	0503010396	501060 CLAMPING RING (FOR AXLE)		01
05	0503010562	1/2" X 1" BOLT		08
06	0503011171	00912-BRG SEAL		01
07	0503011190	SEAL RING		02
08	0503011440	SPRING WASHER		06
09	0503060211	CROWN PINION SET		01
09A	0503050069	25Z CONICAL GEAR		01
09B	0503061048	PINION		01
10	0503010395	1/2" X 1-1/4" BOLT		06
11	0502010984	LEFT MULTIPLIER BOX		01
12	3402301247	MINERAL OIL GREASE		2,5Lts
13	0503030785	7.9" X 5.9" X 0.008" JOINT		03
14	0502011152	SMALLER COVER		01
15	0503031604	1/2" BSP PLUG		01
16	0521018064	FLAT WASHER		01
17	0511010142	LOCK RING		01
18	0501010536	KEYWAY SQUARE		02
19	0503030783	7.1" X 5.3" X 0.008" JOINT		05
20	0503011047	5089 SEAL		01
21	0502011393	LOWER HUB		01
22	0503050067	UPPER AXLE		01
23	0503017877	PIN GUIDE		02



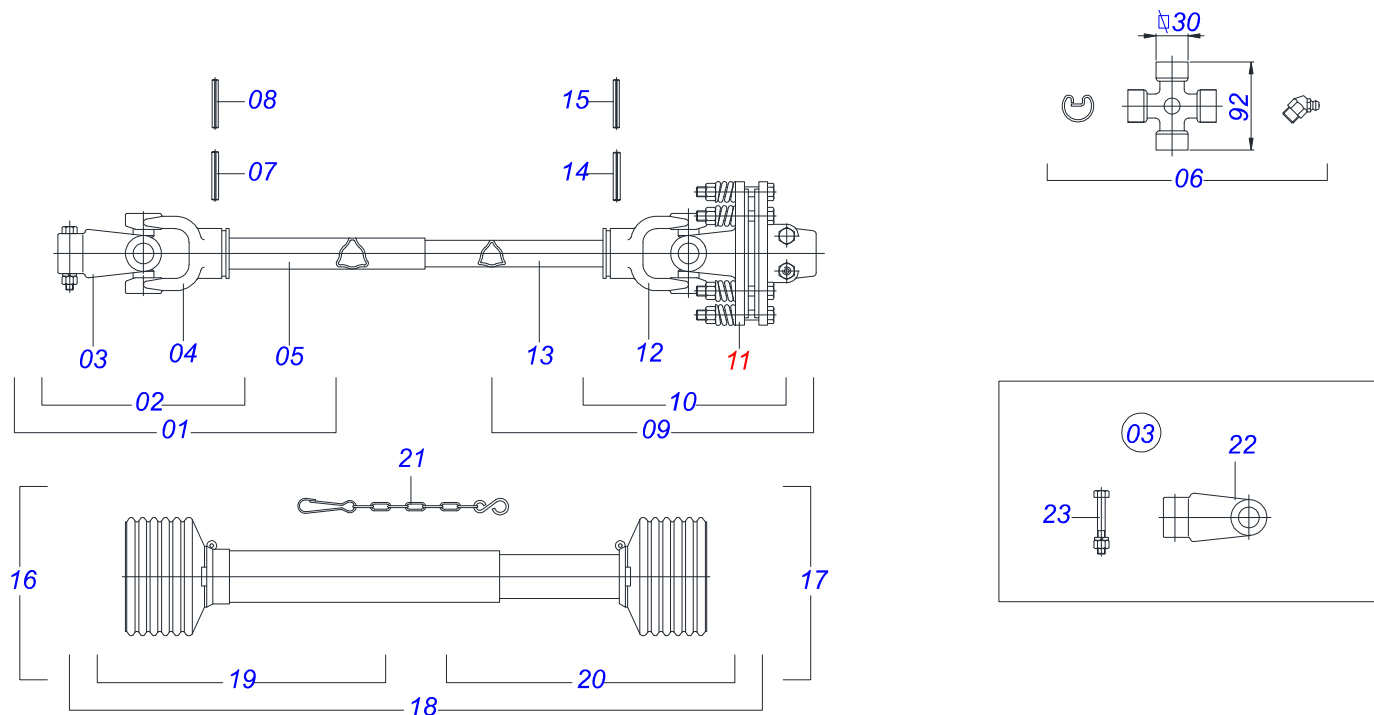
Item	Code	Description	See page	QT
01	0503010006	32210 ROLLER BEARING		03
02	0503010037	30207 ROLLER BEARING		01
03	0503010286	2-355 N 3006-9B O'RING		01
04	0503010396	501060 CLAMPING RING (FOR AXLE)		01
05	0503010562	1/2" X 1" BOLT		08
06	0503011171	00912-BRG SEAL		01
07	0503011190	SEAL RING		02
08	0503011440	SPRING WASHER		06
09	0503060211	CROWN PINION SET		01
09A	0503050069	25Z CONICAL GEAR		01
09B	0503061048	PINION		01
10	0503010395	1/2" X 1-1/4" BOLT		06
11	0502010983	RIGHT MULTIPLIER BOX		01
12	3402301247	MINERAL OIL GREASE		2,5Lts
13	0503030785	7.9" X 5.9" X 0.008" JOINT		03
14	0502010986	SMALLER COVER		01
15	0503031604	1/2" BSP PLUG		02
16	0521018064	FLAT WASHER		01
17	0511010142	LOCK RING		01
18	0501010536	KEYWAY SQUARE		02
19	0503030783	7.1" X 5.3" X 0.008" JOINT		05
20	0503011047	5089 SEAL		01
21	0502011393	LOWER HUB		01
22	0503050068	UPPER AXLE		01
23	0503017877	PIN GUIDE		02



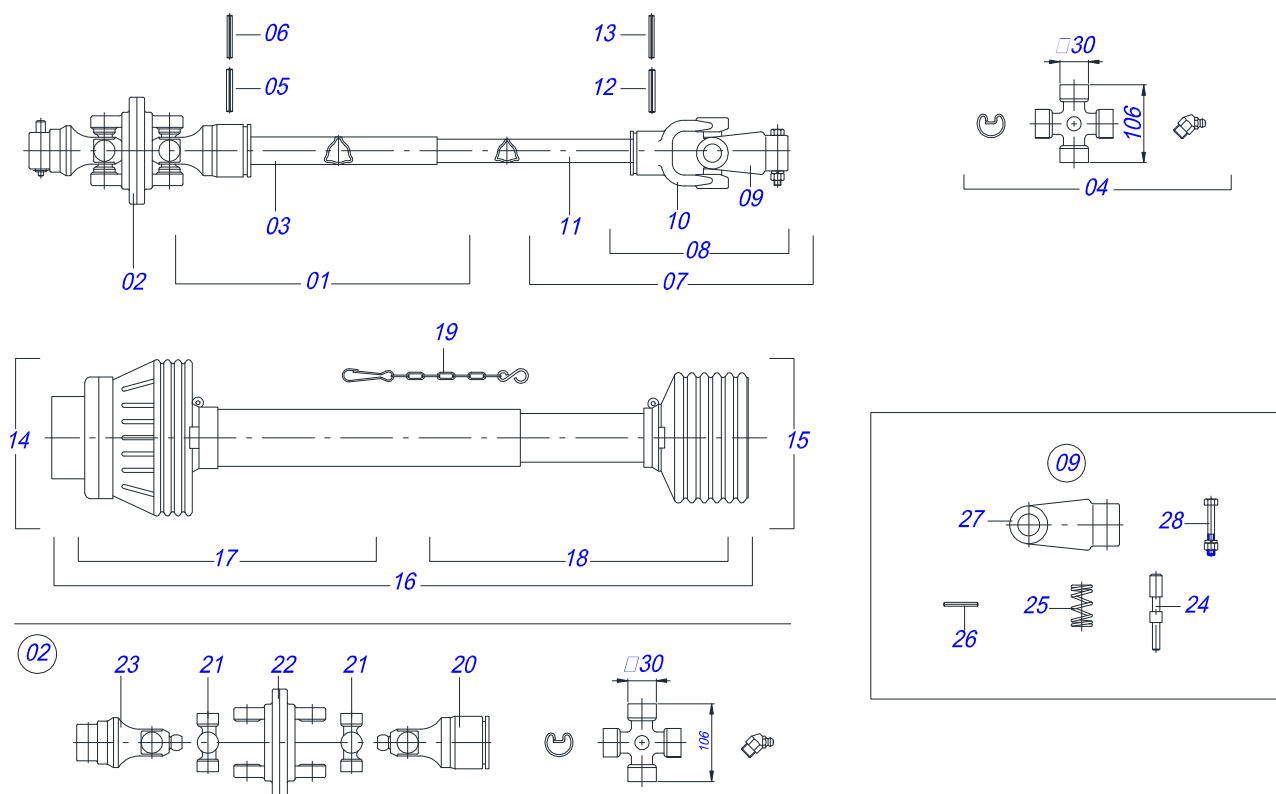
Item	Code	Description	See page	QT
01	0501052531	UNIVERSAL JOINT		01
02	0501052559	8-40 TERMINAL WITH SCREW		01
03	0503012611	T2-40E TERMINAL		01
04	0503012096	CROSSPIECE		02
05	0501052532	UNIVERSAL JOINT W/ CROSS/STR SHAFT		01
06	0501052533	UNIVERSAL JOINT WITH CROSSPIECE		01
07	0501047953	90 KGM FRICTION	6	01
08	0503012612	T2-40EF TERMINAL		01
09	0503012613	240 STRIATED AXLE		01
10	0503011877	0.3" X 2.4" SPRING PIN		01
11	0502011428	8-40 TERMINAL		01
12	0501047756	1/2" X 3" SET PARTS		01



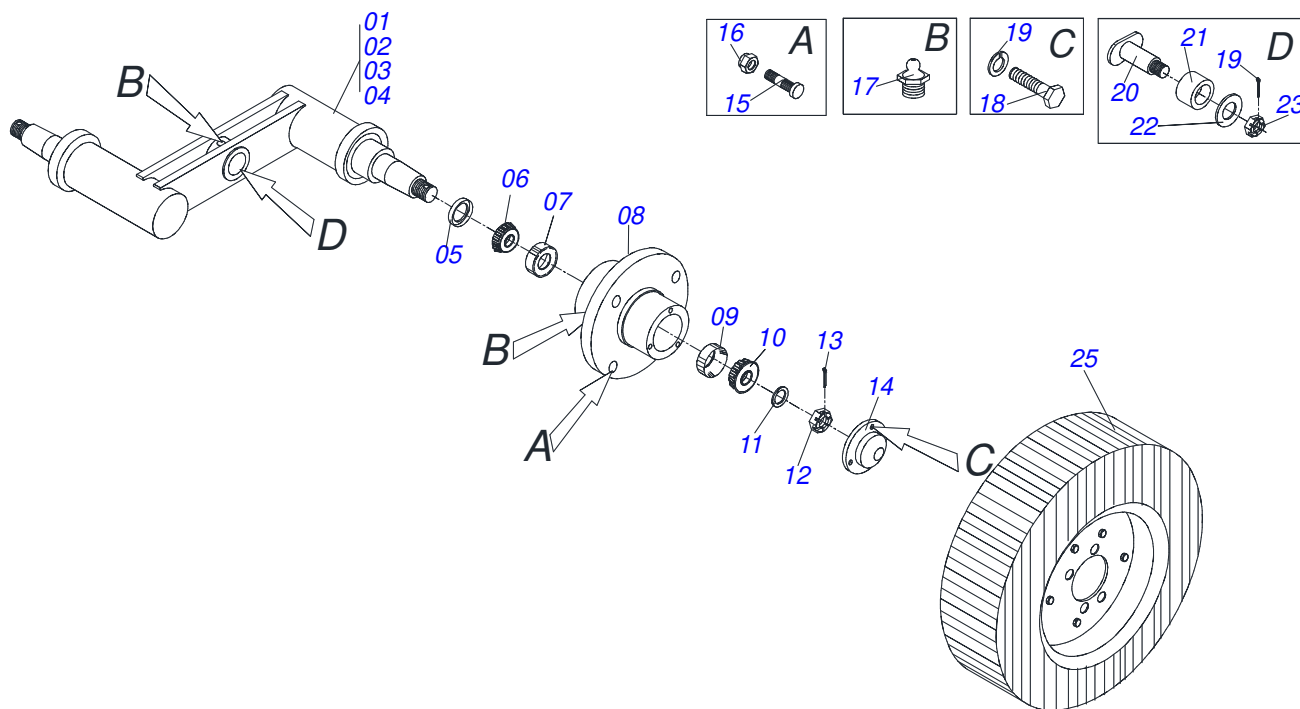
Item	Code	Description	See page	QT
01	0503012095	FRONT FLANGE		01
02	0503011869	CENTRAL FLANGE		01
03	0503011870	REAR FLANGE		01
04	0503031474	INNER FRICTION DISC		01
05	0503031478	OUTER FRICTION DISC		01
06	0503030630	1.02"X1.3"X0.2" COMPRESSION SPRING		08
07	0511017302	FLAT WASHER 13,50 X 32,50 X 3,0 ZN		08
08	0503011336	1/2" HEX SELF ADJUSTING NUT		08
09	0503010752	1/2" X 3.1/2" BOLT		08
10	0503010741	1/2" X 2-3/4" BOLT		02
11	0503010019	1/2" SPRING WASHER		02
12	0503010060	1/2 UNC G.5 ZN HEX NUT		02



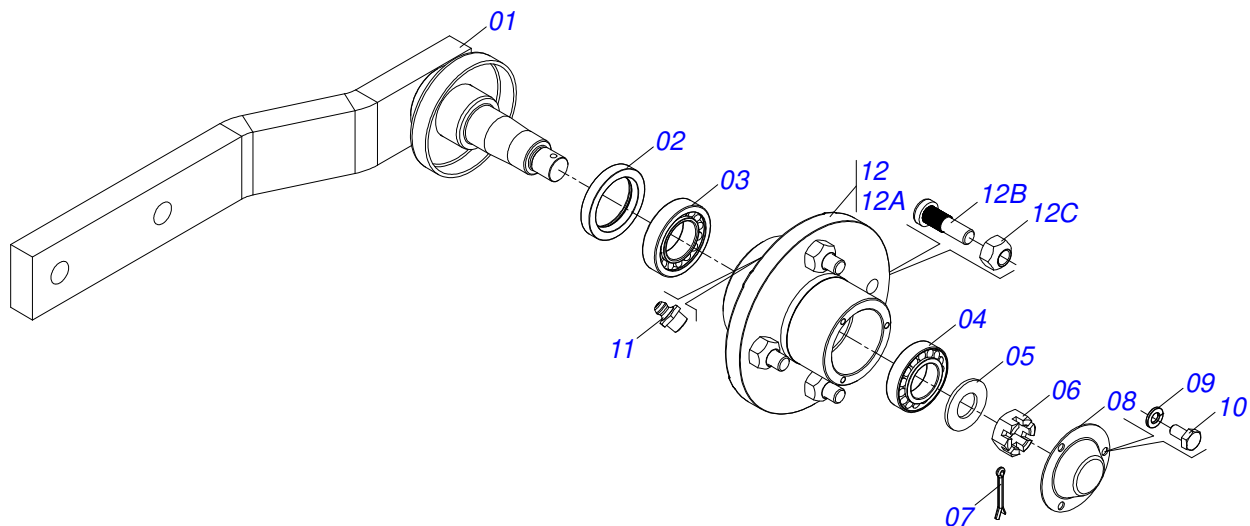
Item	Code	Description	See page	QT
01	0501052534	UNIVERSAL JOINT WITH SLEEVE		01
02	0501052535	UNIVERSAL JOINT		01
03	0501052559	8-40 TERMINAL WITH SCREW		01
04	0503012614	T2-40/CI251 TERMINAL		01
05	0503012615	2.1" X 2.0" X 38" TRIAN FEMALE		01
06	0503012096	CROSSPIECE		02
07	0503011069	0.4" X 2.8" SPRING PIN		01
08	0503010510	0.2" X 2.6" SPRING PIN		01
09	0501052536	UNIVERSAL JOINT WITH CROSS/SHAFT		01
10	0501052537	UNIVERSAL JOINT WITH CROSSPIECE		01
11	0501047953	90 KGM FRICTION	6	01
12	0503012616	T3-40/CI252 TERMINAL		01
13	0503012617	1.8" X 1.7" X 38" TRIAN MALE TU		01
14	0503010361	SPRING PIN		01
15	0503010756	0.2" X 2.4" SPRING PIN		01
16	0501052539	UNIVERSAL JOINT WITH SLEEVE/PROT		01
17	0501052540	UNIVERSAL JOINT WITH SHAFT/PROT		01
18	0503012098	PROTECTION ASSY		01
19	0503012099	PROTECTION FOR UNIV JOINT AND SLEEV		01
20	0503012100	PROTECTION FOR UNIV JOINT AND AXLE		01
21	0503012023	CHAIN FOR PROTECTION		02
22	0502011428	8-40 TERMINAL		01
23	0501047756	1/2" X 3" SET PARTS		01



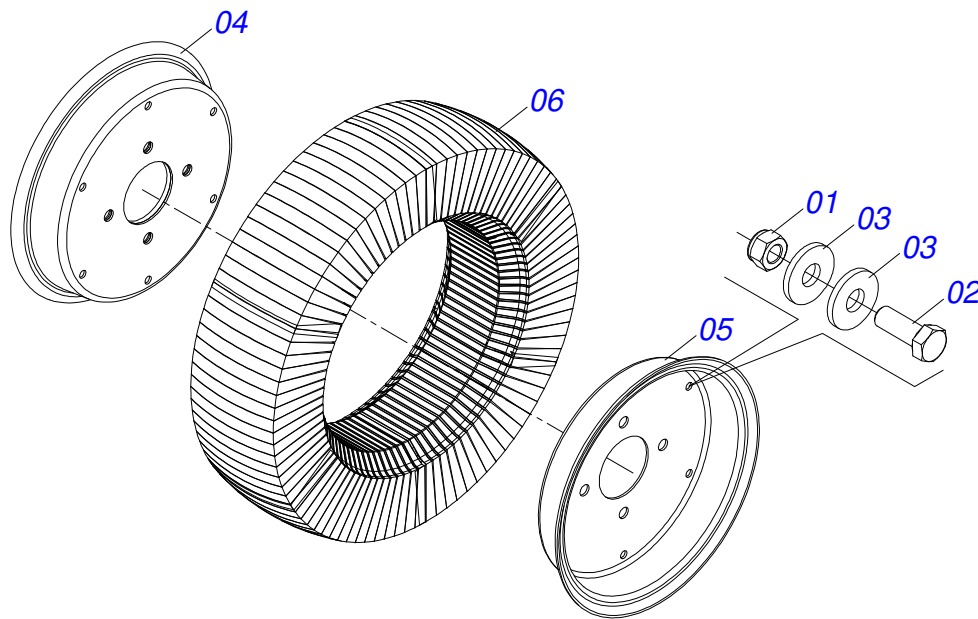
Item	Code	Description	See page	QT
01	0501052544	HOMO JOINT WITH FEMALE BUSHING		01
02	0501052518	HOMOCINETIC JOINT ASSY		01
03	0503012618	2.1" X 2.0" X 31" TRIAN FEMALE TUB		01
04	0503010837	CARDAN CROSSPIECE		01
05	0503010843	0.4" X 3.3" SPRING PIN		01
06	0503011878	0.2" X 3.3" SPRING PIN		01
07	0501052545	UNIVERSAL JOINT WITH CROSS/SHAFT		01
08	0501052546	UNIVERSAL JOINT		01
09	0501052516	T6-60 TERMINAL WITH SCREW		01
10	0503012600	T3-60/CI52 TERMINAL		01
11	0503012619	1.8" X 1.7" X 31" TRIAN MALE TUB		01
12	0503011069	0.4" X 2.8" SPRING PIN		01
13	0503011805	0.2" X 2.8" SPRING PIN		01
14	0501052548	HOMO JOINT WITH PROT FEMALE BUSHING		01
15	0501052549	UNIVERSAL JOINT WITH SHAFT/PROT		01
16	0503012620	PROTECTION ASSY		01
17	0503012621	PROTECTION FOR HOMO JOINT AND SLEEV		01
18	0503012076	PROTECTION FOR UNIV JOINT AND AXLE		01
19	0503012023	CHAIN FOR PROTECTION		01
20	0503012604	HOMO TERMINAL W/ FEMALE BUSHING		01
21	0503012605	CROSSPIECE		02
22	0503012606	CENTER BODY		01
23	0503012607	TRACTOR HOMOCINETIC TERMINAL		01
24	0503037375	PIN QUICK COUPLING		02
25	0503030518	0.5"X1.0"X 0.1" COMPRESSION SPRING		02
26	0503010838	0.1" X 0.8" SPRING PIN		02
27	0502010830	6-60 STRIATED 1.3/8" TERMINAL		01
28	0501047756	1/2" X 3" SET PARTS		02



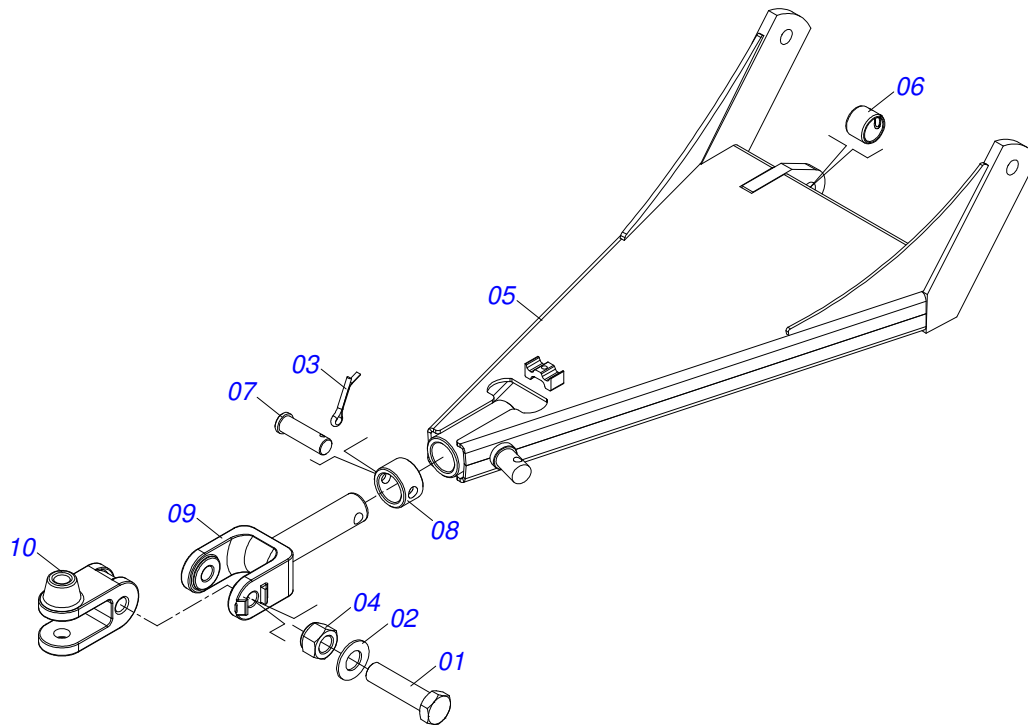
Item	Code	Description	See page	QT
01	0501045566	ROCKER ARM RIGHT ASSY		01
02	0501045567	ROCKER ARM LEFT ASSY		01
03	0501067124	RIGHT BALANCIN BODY		01
04	0501067125	LEFT BELL CRANCK BODY		01
05	0503010278	SEAL		02
06	0503010617	48548 CONE		02
07	0503010618	48510 CAP		02
08	0502020605	CARRYING WHEEL HUB		02
09	0503010619	67048 CONE		02
10	0503010620	67010 CAP		02
11	0501010076	FLAT WASHER		02
12	0503030010	7/8" CASTLE NUT		02
13	0503010018	5/32 X 1-1/2 COTTERPIN		02
14	0501014374	COVER AELH		02
15	0501010127	9/16" X 1-7/8" LUG BOLT		08
16	0503010035	9/16" CONIC NUT		11
17	0503010002	1800 GREASE FITTING		01
18	0503013758	1/4" X 1-1/2" BOLT		06
19	0503010143	1/4" SPRING WASHER		06
20	0511015742	144PIVOT SHAFT		01
21	0521010749	1.5" X 1.8" X 1.2" SLEEVE		02
22	0501010623	FLAT WASHER		01
23	0503030420	1" X 0.67" CASTLE NUT		01
24	0503010010	1/4" X 2.1/2" COTTERPIN		01
25	0501043559	SEGMENTED WHEEL 525	11	02
26	0909091066	HYDRAULIC CYLYNDER		



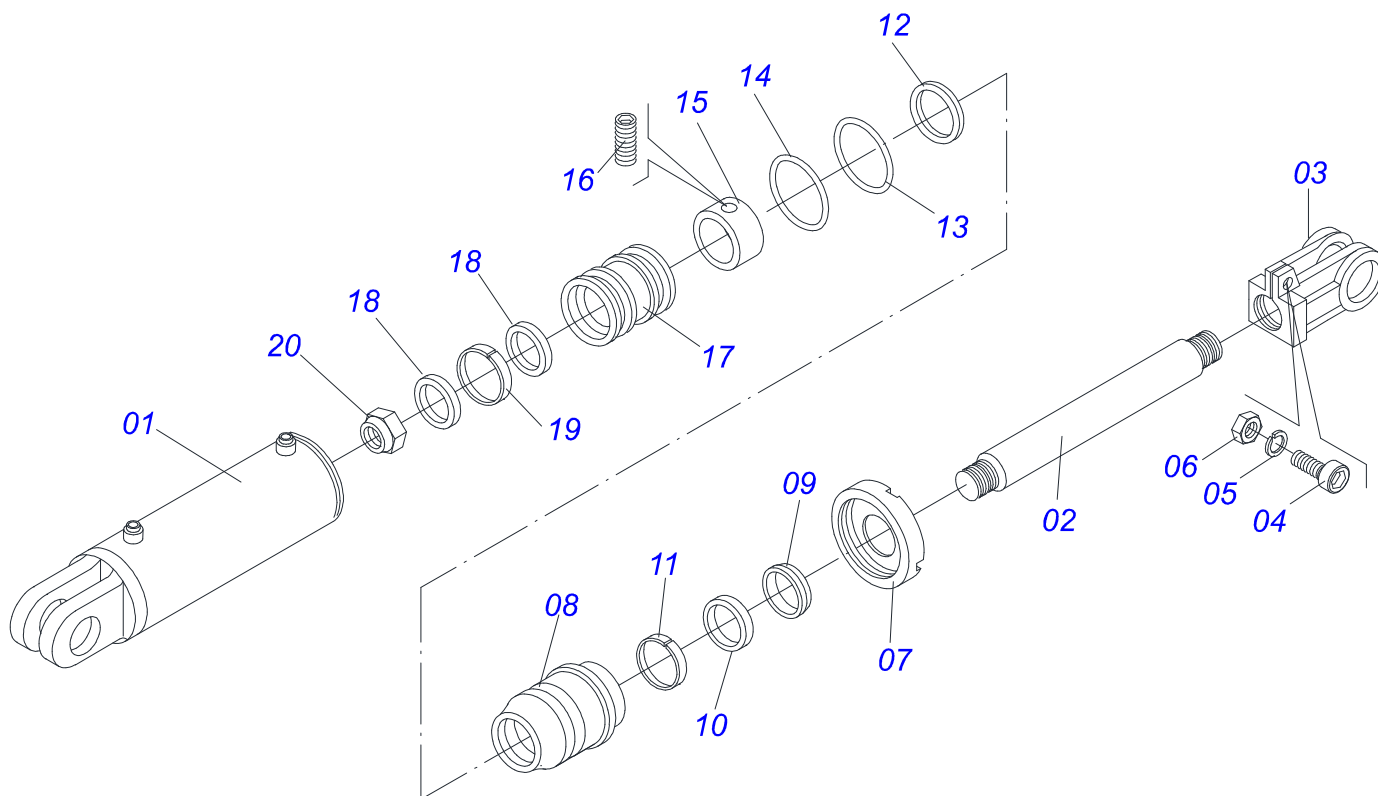
Item	Code	Description	See page
01	0511065148	AXLE SIDE CARRYING-WHEELS ARM	01
02	0503010278	SEAL	01
03	0503010016	BEARING LM	01
04	0503010022	BEARING LM	01
05	0501010076	FLAT WASHER	01
06	0503030010	7/8" CASTLE NUT	01
07	0503010018	5/32 X 1-1/2 COTTERPIN	01
08	0521010388	PROTECTIVE COVER	01
09	0503011441	SPRING WASHER	03
10	0503013758	1/4" X 1-1/2" BOLT	03
11	0503010002	1800 GREASE FITTING	01
12	0501110746	CARRYING WHEEL HUB	01
12A	0501010127	9/16" X 1-7/8" LUG BOLT	04
12B	0503010035	9/16" CONIC NUT	04
13	1882970002	GREASE SOAP	0.13Kg



Item	Code	Description	See page	QT
01	0503013357	3/8 SELF-ADJUSTING NUT		06
02	0503010237	3/8" X 1" BOLT		06
03	0501010984	10,50 X 27 X 3,00 FLAT WASHER		12
04	0501069093	RIM FLANGE		01
05	0521010829	RIM FLANGE		01
06	0501110168	WHEEL SEGMENT BODY		01

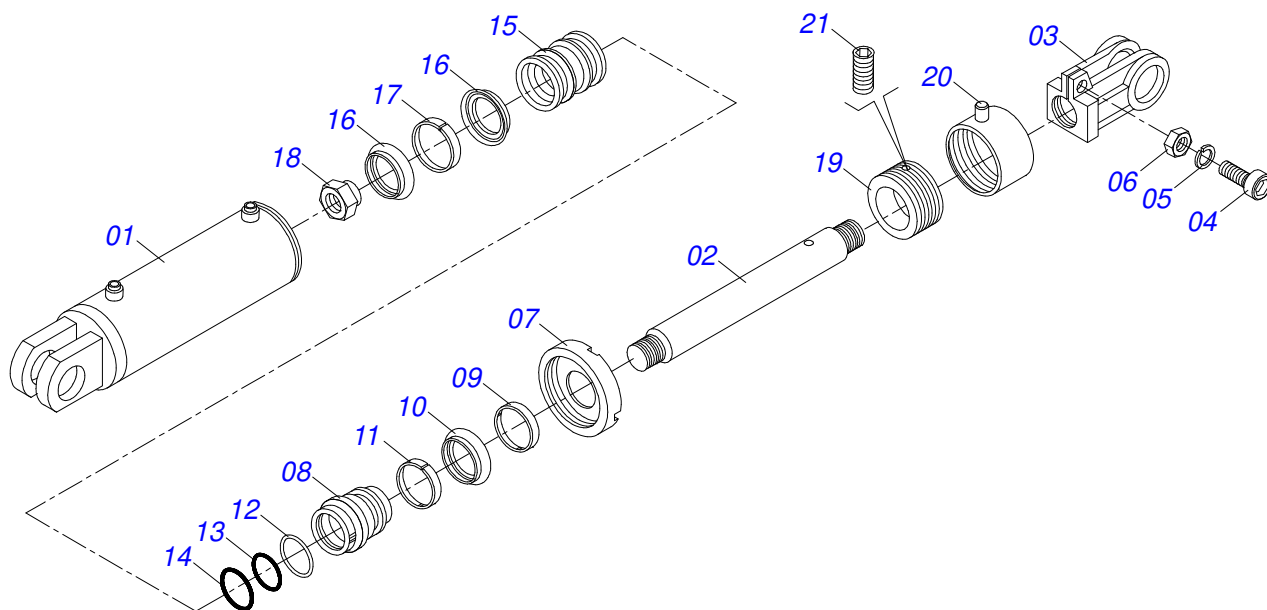


Item	Code	Description	See page	QT
01	0501010060	1" X 6-1/2" BOLT		01
02	0501810623	27 X 53 X 3.00 FLAT WASHER		01
03	0503010571	1/4" X 1.1/2 COTTERPIN		01
04	0503018754	1-8 UNC NUT		01
05	0511062049	DRAWBAR		01
06	0511019921	1.3" X 0.1" X 1" SLEEVE		01
07	0521010639	COUPLING SHAFT		01
08	0521010681	BUSHING COUPLING BODY		01
09	1902040923	ROTATING HITCH		01
10	1902040921	U HITCH TRACTOR		01

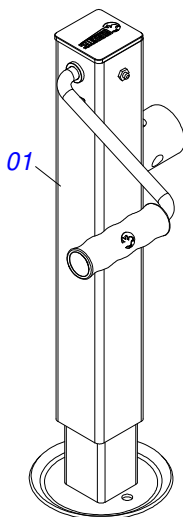


Item	Code	Description	See page
01	0501064255	2.4" X 8" CYLINDER CASE	01
02	0501018532	1.7" X 15.6" TURNBUCLE	01
03	0502040493	CLEVIS 26,50 R41	01
04	0503011094	3/8" X 2" BOLT	01
05	0503010025	3/8 SPRING WASHER	01
06	0503010026	3/8" NUT	01
07	0502010993	DETACHABLE COVER	01
08	0502010781	RING SUPPORT	01
09	0503010761	D-1750 SCRAPER RING	01
10	0503010990	GASKET	01
11	0503010949	W2-2000-500 PK RING G.E	01
12	0503011060	8-336 BACK-UP RING	01
13	0503010976	2-336 N 3006-9B O'RING	01
14	0503010042	2-214 N 3006-9B O'RING	01
15	0531018316	1.8"X 3"X 0.9" SLEEVE	01
16	0503011148	3/8" X 1/2" BOLT	01
17	0502010843	1.8" X 3.4" PISTON	01
18	0503010170	PACKING 3120 2750	02
19	0503010948	W4-3346-590 PK RING G.E	01
20	0503010063	1" SELF-ALIGNING NUT	01
21	0501031796	HYDRAULIC CYLINDER REPAIR KIT	

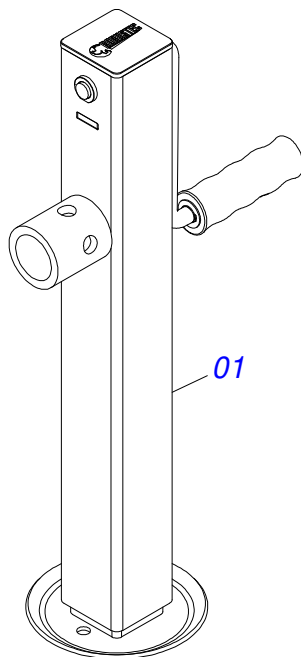
1.7" X 3.4" X 21" X 7" HYDRAULIC CYLINDER



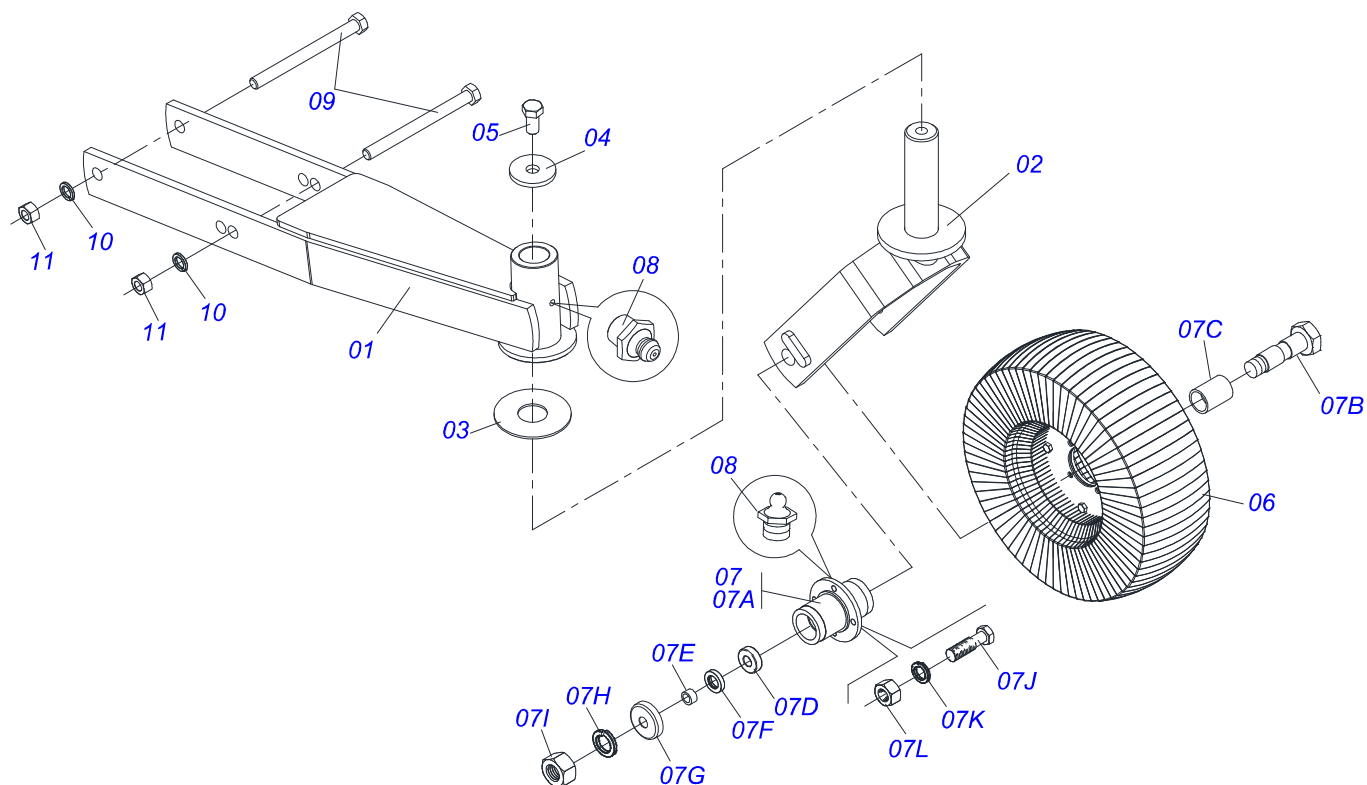
Item	Code	Description	See page	QT
01	0501064255	2.4" X 8" CYLINDER CASE		01
02	0521014292	1.7" X 15" TURNBUCLE WITH HOLES		01
03	0502040493	CLEVIS 26,50 R41		01
04	0503011094	3/8" X 2" BOLT		01
05	0503010025	3/8 SPRING WASHER		01
06	0503010026	3/8" NUT		01
07	0502010993	DETACHABLE COVER		01
08	0502010781	RING SUPPORT		01
09	0503010761	D-1750 SCRAPER RING		01
10	0503010990	GASKET		01
11	0503010949	W2-2000-500 PK RING G.E		01
12	0503011060	8-336 BACK-UP RING		01
13	0503010976	2-336 N 3006-9B O'RING		01
14	0503010042	2-214 N 3006-9B O'RING		01
15	0502010843	1.8" X 3.4" PISTON		01
16	0503010170	PACKING 3120 2750		02
17	0503010948	W4-3346-590 PK RING G.E		01
18	0503010063	1" SELF-ALIGNING NUT		01
19	0521014003	REG INNER BODY OF THE CARRY-WHEEL		01
20	0511060370	CARRY-W REG OUTER BODY ASSY		01
21	0503011148	3/8" X 1/2" BOLT		02
22	0501031796	HYDRAULIC CYLINDER REPAIR KIT		



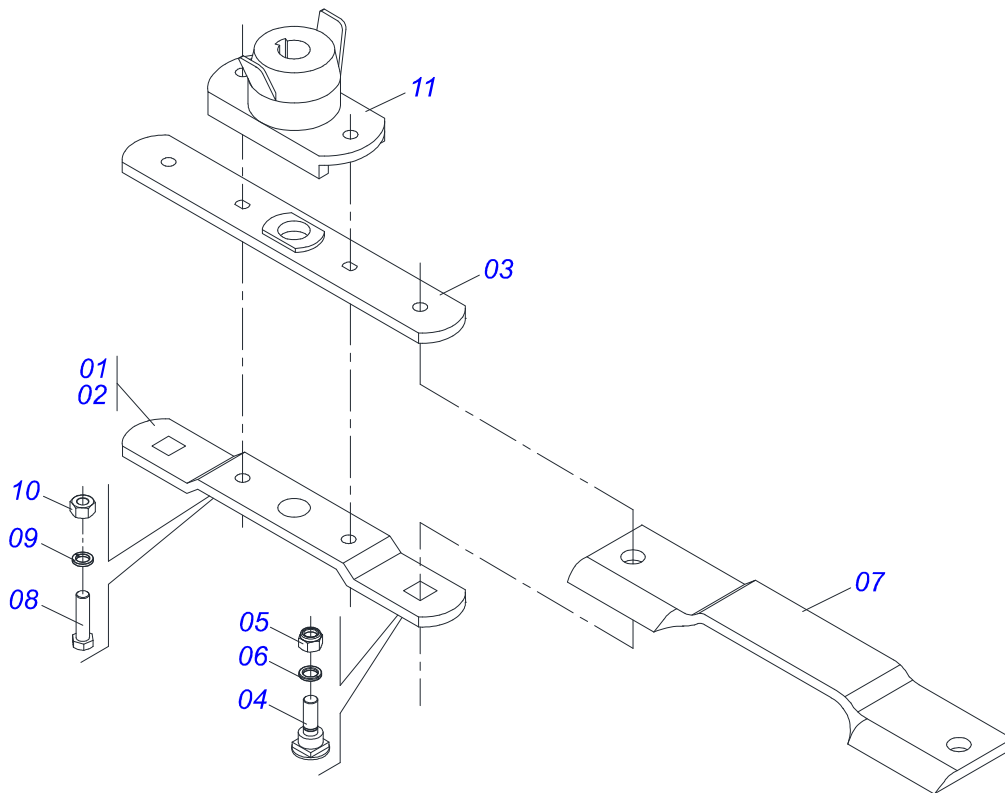
Item	Code	Description	See page	QT
01	0503062157	DRAWBAR JACK	16	01



Item	Code	Description	See page	QT
01	0503062157	DRAWBAR JACK	16	01



Item	Code	Description	See page	QT
01	0501069375	WHEEL SUPPORT		01
02	0501065266	WHELL FORK		01
03	0511013239	FLAT WASHER		01
04	0511010721	FLAT WASHER		01
05	0503010962	5/8" X 1-1/4" BOLT		01
06	0501050433	TIRE WHELL		01
07	0501051587	WHEELS BOX ASSY		01
07A	0502011286	WHEELS BOX ASSY		01
07B	0501017143	WHEEL AXLE		01
07C	0521010460	0.9" X 1.1" X 2.9" SLEEVE		01
07D	0503010269	6204 BALL BEARING		02
07E	0521010487	SPACER WASHER		02
07F	0503010268	00262-B SEAL		02
07G	0511014254	DUST CLOAK		01
07H	0503010023	3/4" SPRING WASHER		01
07I	0503010014	3/4" HEX NUT		04
07J	0501010080	3/8" BOLT		04
07K	0503010025	3/8" SPRING WASHER		04
07L	0503010026	3/8" NUT		02
08	0503010002	1800 GREASE FITTING		01
09	0503010795	5/8" X 7" BOLT		02
10	0503010027	5/8" SPRING WASHER		02
11	0503010013	5/8" NUT		02



Item	Code	Description	See page	QT
01	0501056326	SUPPORT WITH ROTARY CUTTER BLADES		01
02	0561017368	ROTARY LOWER SUPPORT		01
03	0561017308	SUPPORT UPPER BASE		01
04	0511019000	BOLT		02
05	0503010812	7/8" UNF SELF LOCKING NUT		02
06	0503011447	SPRING WASHER		02
07	0622400057	21.6" X 3.94" X 0.5" ROTARY CUTTER		02
08	0503010901	3/4UNC 3.1/2 BOLT		02
09	0503010023	3/4" SPRING WASHER		02
10	0503010014	3/4" HEX NUT		02
11	0502012453	SUPPORT FLANGE		01



MARCHESAN

Technical Publications | Elaboration and Revision

LUIZ CANDIDO

www.marchesan.com.br

