

ROTARY CUTTERS

RCA2 3100

Code: 0501091333
Series: S-0499
Revision: 00
Date Revision: MARÇO/2023

PARTS CATALOGUE



MARCHESAN



PRODUCTS

Code	Description	
0104120059	RCA 3100	S-0499

ATTENTION: IMPORTANT

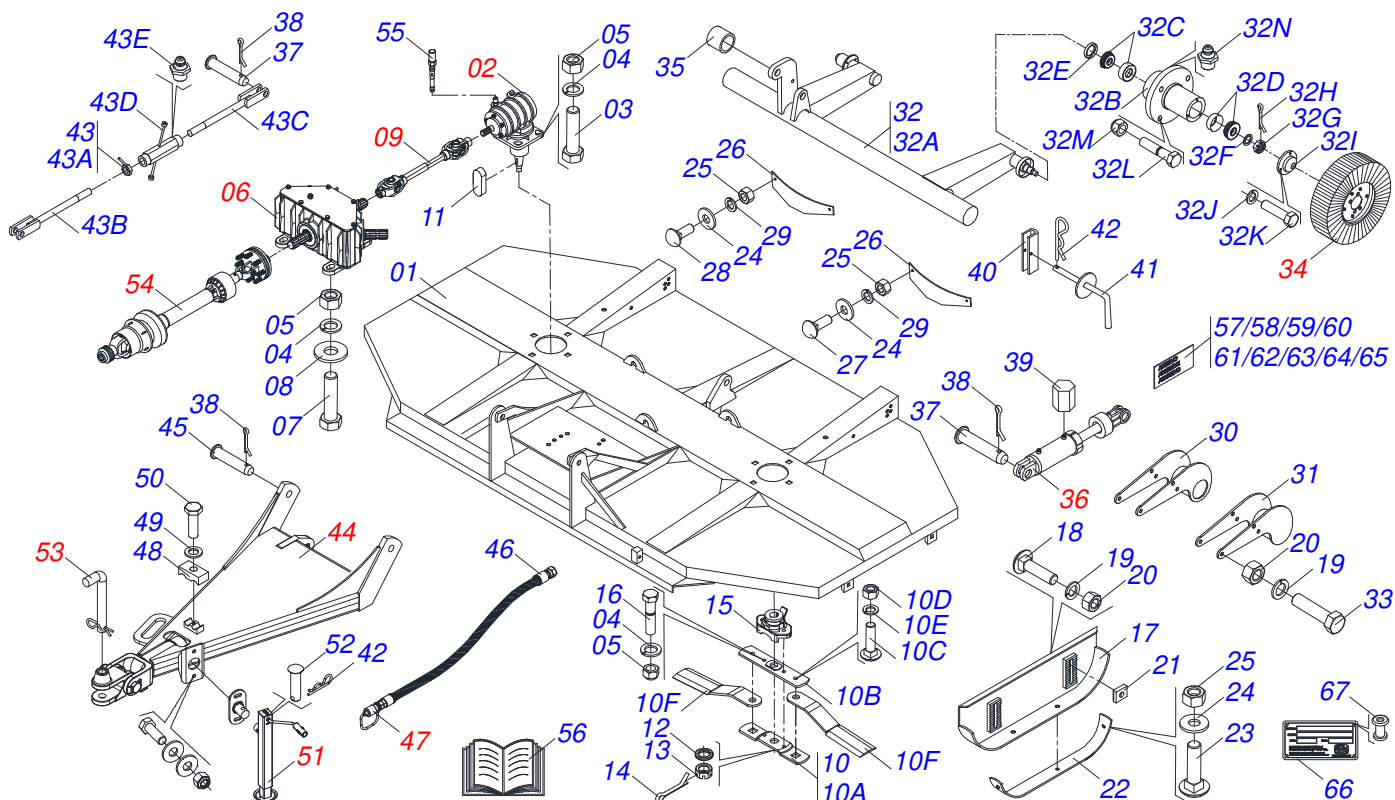
Marchesan S.A. reserves the right to improve and/or modify the technical features of its products, without obligation to do the same with those products already sold and without prior knowledge of the dealer or the customer. The photos are only illustrative.



MARCHESAN

INDEX

0909090286	ASSY FRAME	1
0511042527	RIGHT MULTIPLIER	2
0511042525	LEFT MULTIPLICATOR	3
0501044074	TRIPLE DISTRIBUTOR	4
0511044862	DRIVE SHAFT	5
0501048464	1.7" X 3.4" X 21" X 7" HYDRAULIC CYLINDER	6
0501049129	DRIVE SHAFT	7
0501043559	SEGMENTED WHEEL 525	8
0501053006	HEAD WITH TRACTOR HITCH	9
0503062157	DRAWBAR JACK	10
0501047881	AXIS JOINT ASSY	11
0909091430	(SHEET METAL SUPPORT)SPARE	12



Item	Code	Description	See page	QT
01	0511060417	FRAME		01
02	0511042527	RIGHT MULTIPLIER	2	01
02.	0511042525	LEFT MULTIPLICATOR	3	01
03	0503010797	3/4" X 4" BOLT		08
04	0503010023	3/4" SPRING WASHER		12
05	0503010014	3/4" HEX NUT		12
06	0501044074	TRIPLE DISTRIBUTOR	4	01
07	0501010125	3/4" X 2-1/2" BOLT		04
08	0501010322	FLAT WASHER		04
09	0511044862	DRIVE SHAFT	5	02
10	0501056320	SUPPORT		02
10A	0561017368	ROTARY LOWER SUPPORT		02
10B	0561017308	SUPPORT UPPER BASE		02
10C	0511019000	BOLT		04
10D	0503010812	7/8" UNF SELF LOCKING NUT		04
10E	0503011447	SPRING WASHER		04
10F	0622340052	24.5" X 3.94" X 0.5" ROTARY CUTTER		02
11	0501010536	KEYWAY SQUARE		04
12	0501017779	32 X 60 X 4.75 FLAT WASHER		02
13	0503011052	1.1/4" X 0.77" CASTLE NUT		02
14	0503010067	3/16" X 2.1/2" COTTER PIN		02
15	0502012453	SUPPORT FLANGE		01
16	0503011328	3/4" X 4" BOLT		04
17	0511064760	930 SKID		02
18	0501014177	5/8" X 2-1/2" BOLT		04
19	0503010027	5/8 SPRING WASHER		10
20	0503010013	5/8 NUT		10
21	0502010083	SQUARE WASHER		04
22	0531019436	SKID GUIDE		02
23	0503012956	1/2" X 1-1/2" BOLT		06
24	0511017302	FLAT WASHER 13,50 X 32,50 X 3,0 ZN		09



RCA2 3100
ASSY FRAME

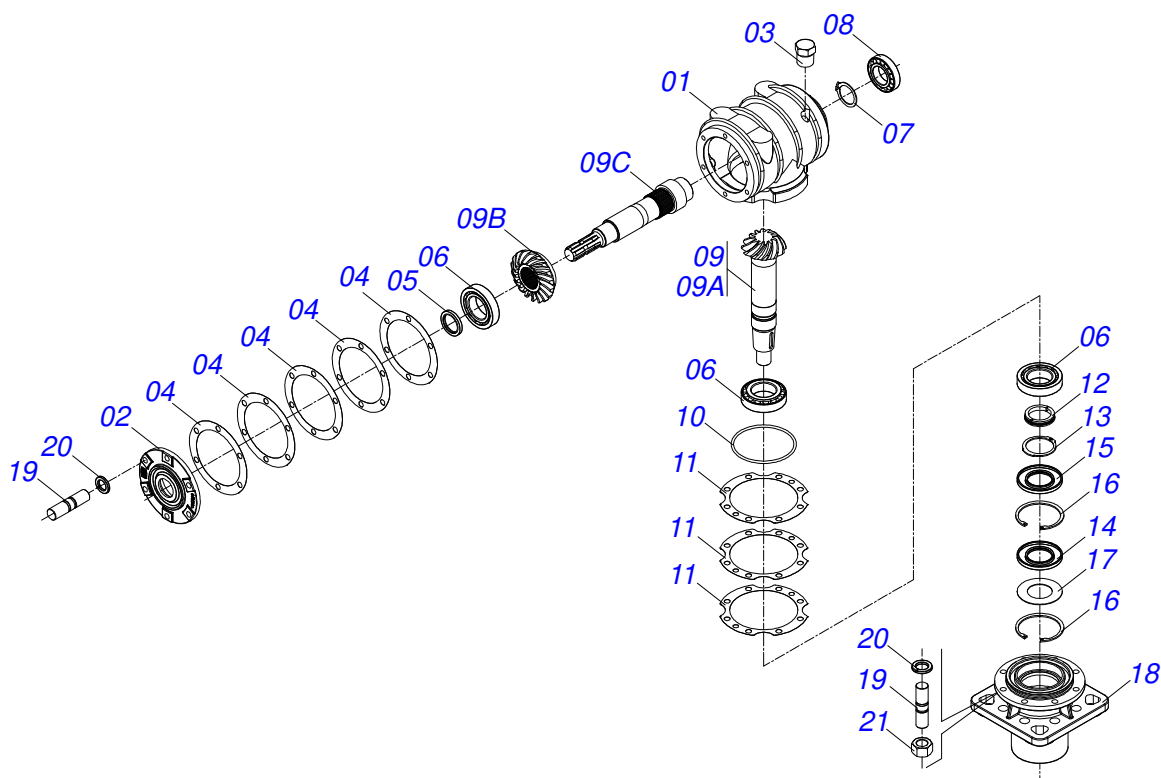
Item	Code	Description	See page	QT
25	0503010020	1/2"NUT		09
26	0591010772	RIGHT/LEFT TRIMMER		02
27	0501011600	1/2" X 1-1/4" BOLT		02
28	0501010243	1/2" X 1-1/2" BOLT		01
29	0503010019	1/2" SPRING WASHER		03
30	0511060360	WHEELS RIGHT FIXER		01
31	0511060361	WHEELS LEFT FIXER		01
32	0501052260	CARRYING WHEEL		02
32A	0511060359	CARRYING WHEEL		01
32B	0502020605	CARRYING WHEEL HUB		02
32C	0503010016	BEARING LM		02
32D	0503010022	BEARING LM		02
32E	0503010278	SEAL		02
32F	0501010076	FLAT WASHER		02
32G	0503030010	7/8" CASTLE NUT		02
32H	0503010018	5/32 X 1-1/2 COTTERPIN		02
32I	0521010388	PROTECTIVE COVER		02
32J	0503010143	1/4" SPRING WASHER		06
32K	0503010298	1/4" X 1/2" BOLT		06
32L	0501010127	9/16" X 1-7/8" LUG BOLT		12
32M	0503010035	9/16" CONIC NUT		12
32N	0503010002	1800 GREASE FITTING		06
33	0503010795	5/8" X 7" BOLT		06
34	0501043559	SEGMENTED WHEEL 525	8	02
35	0511019921	1.3" X 0.1" X 1" SLEEVE		04
36	0501048464	1.7" X 3.4" X 21" X 7" HYDRAULIC CYLINDER	6	01
37	0521010575	C0.9" X 3.3" COUPLING SHAFT		06
38	0503010571	1/4" X 1.1/2 COTTERPIN		08
39	0511017628	BREATHING HOLE OF THE CYLINDER HIDR		01
40	0521014258	LOCK BOLT		01
41	0501068994	8,30 X 78 LOCK PIN		01
42	0503030168	HITCH PIN CLIP		02
43	0501054837	ESTABILIZER ASSY		01
43A	0521064756	ADJUSTING NUT		01
43B	0511060368	ROD LARGER STABILIZER		01
43C	0511060369	ROD SMALLER STABILIZER		01
43D	0501064974	LOCKNUT WITH HANDLER		01
43E	0503010002	1800 GREASE FITTING		02
44	0501053006	HEAD WITH TRACTOR HITCH	9	01
45	0521010572	0.9" X 2.9" COUPLING SHAFT		02
46	0501080365	HOSE 3/8 X 3500 TC-TM		01
47	0503011627	MALE QUICK COUPLER AGR 1/2 NPT		01
48	0502012702	BODY SUPPORT CLAMP		01
49	0503010180	7/16" SPRING WASHER		01
50	0503012555	SCREW 7/16 UNC X 2 CS RT G.7 ZN		01
51	0503062157	DRAWBAR JACK	10	01
52	0521010549	COUPLING SHAFT		01
53	0501047881	AXIS JOINT ASSY	11	01
54	0501049129	DRIVE SHAFT	7	01
55	0501110186	OIL SMALLER LEVEL INDICATOR		01
56	0501090630	INSTRUCTION MANUAL RCA 3100		01
57	0503031428	READ MANUAL DECAL		01
58	0503031932	ADHESIVE LABEL		01
59	0503031427	ADHESIVE LABEL		01
60	0503031930	ADHESIVE LABEL		01
61	0503032534	ADHESIVE LABEL		01
62	0503031929	ADHESIVE LABEL		01
63	0503031087	ADHESIVE LABEL		01
64	0503060896	RCA 3100 SILVER ADHESIVE LABELS SET		01



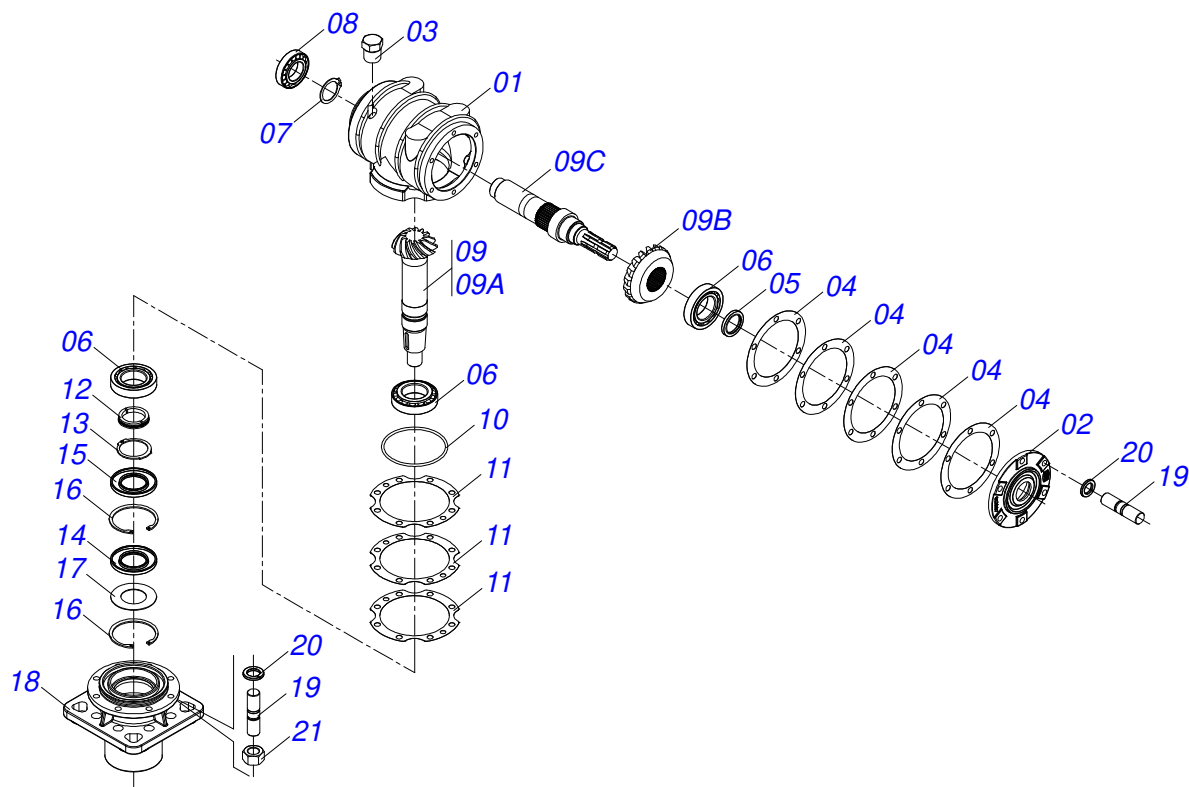
RCA2 3100
ASSY FRAME

Page 1
0909090286

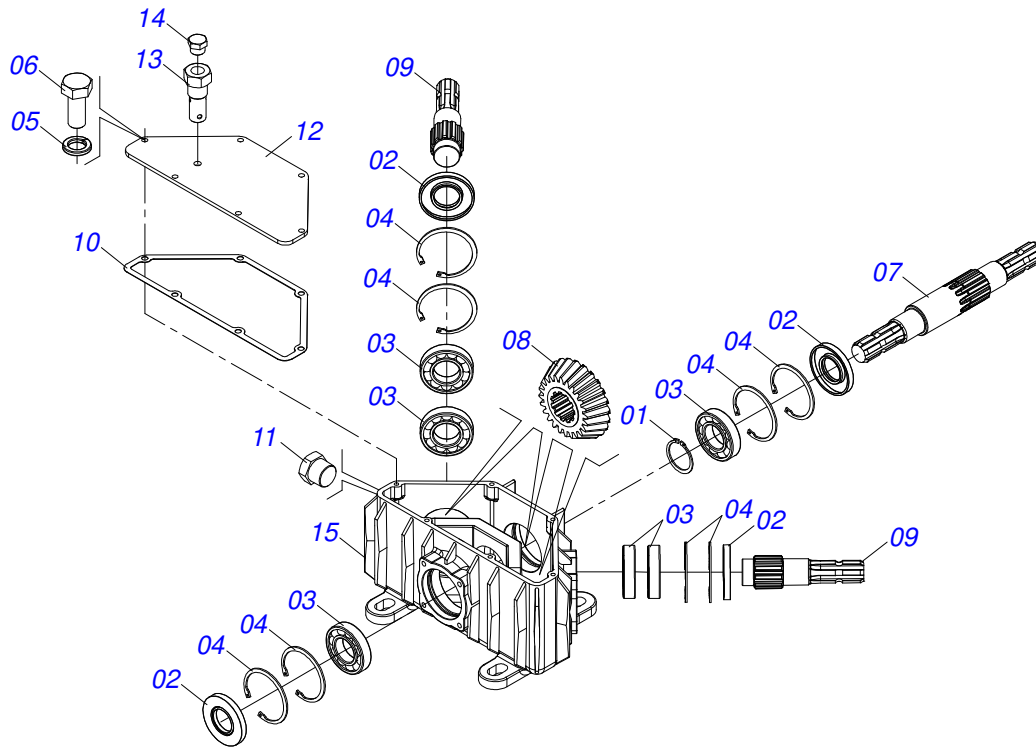
Item	Code	Description	See page	QT
65	0503032949	ADHESIVE LABEL		01
66	0503034003	SERIAL NUMBER TAG 61 X 118		01
67	0503010001	3.2 X 5.5 RIVET		04



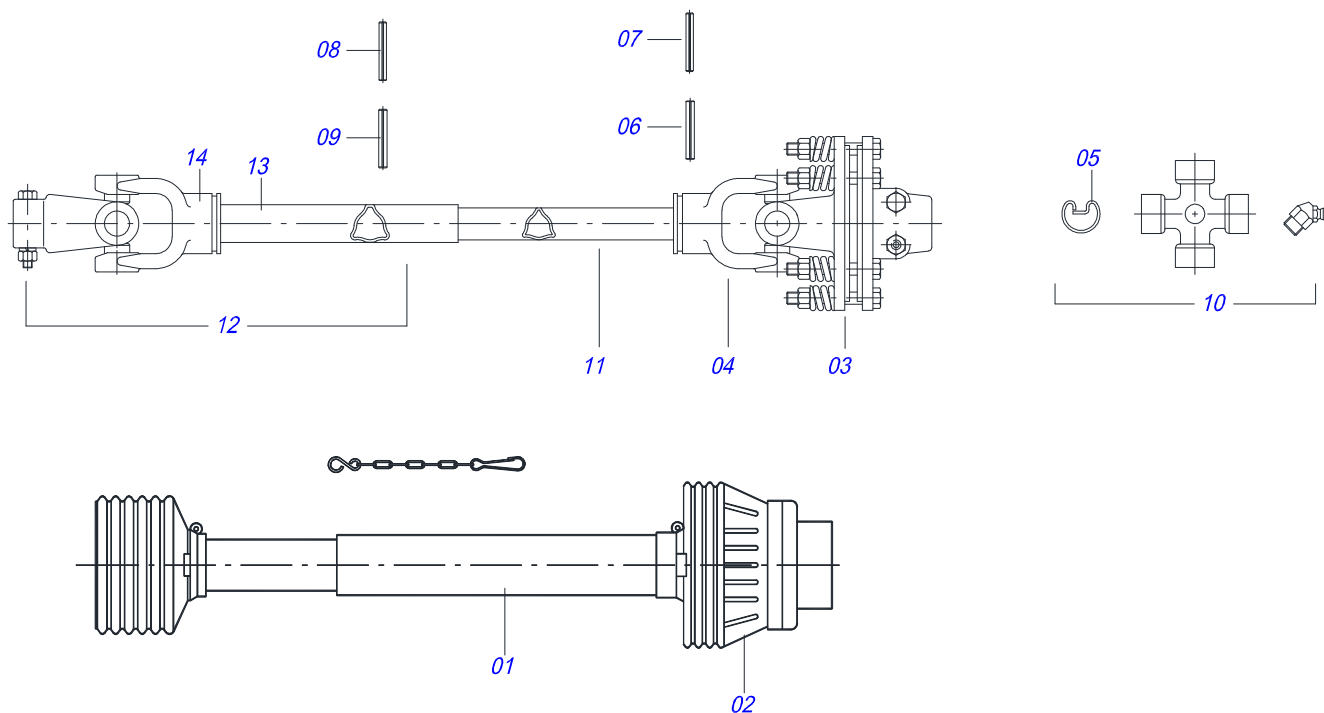
Item	Code	Description	See page	QT
01	0502012204	SPEED MULTIPLIER BOX	01	01
02	0502012203	RH COVER MULTIPLIER	01	01
03	0503031604	1/2" BSP PLUG	02	02
04	0503030783	7.1" X 5.3" X 0.008" JOINT	05	05
05	0503012103	5301 -BSEAL	01	01
06	0503012418	32211 ROLLER BEARING	03	03
07	0503014772	501056 CLAMPING RING (FOR AXLE)	01	01
08	0503010750	30209 BALL BEARING	01	01
09	0503061699	CHAIN ASSY	01	01
09A	0503031917	12Z LOWER CONICAL GEAR	01	01
09B	0503031918	18Z CONICAL GEAR	01	01
09C	0503032058	UPPER AXLE	01	01
10	0503010286	2-355 N 3006-9B O'RING	01	01
11	0503030785	7.9" X 5.9" X 0.008" JOINT	03	03
12	0531019302	LOCK RING	01	01
13	0503012311	501065 RENO RING	01	01
14	0503013201	ARCA 6016 BRG SEAL	01	01
15	0503013211	6016 BRG SEAL	01	01
16	0503011420	502100 CLAMPING RING (FOR AXLE)	02	02
17	0531018823	FLAT WASHER	01	01
18	0502012206	LOWER HUB	01	01
19	0503030084	1/2" X 1/2" X 2.0" STUD	14	14
20	0503011440	SPRING WASHER	14	14
21	0503010028	1/2" NUT	14	14
22	3402301247	MINERAL OIL GREASE	03	03



Item	Code	Description	See page	QT
01	0502012205	BOX MULTIPLIER		01
02	0502012207	COVER MULTIPLIER		01
03	0503031604	1/2" BSP PLUG		01
04	0503030783	7.1" X 5.3" X 0.008" JOINT		05
05	0503012103	5301 -BSEAL		01
06	0503012418	32211 ROLLER BEARING		03
07	0503014772	501056 CLAMPING RING (FOR AXLE)		01
08	0503010750	30209 BALL BEARING		01
09	0503061698	CROWN PINION SET 12Z 12Z AXLE LEFT		01
09A	0503031917	12Z LOWER CONICAL GEAR		01
09B	0503031918	18Z CONICAL GEAR		01
09C	0503032043	UPPER AXLE		01
10	0503010286	2-355 N 3006-9B O'RING		01
11	0503030785	7.9" X 5.9" X 0.008" JOINT		03
12	0531019302	LOCK RING		01
13	0503012311	501065 RENO RING		01
14	0503013201	ARCA 6016 BRG SEAL		01
15	0503013211	6016 BRG SEAL		01
16	0503011420	502100 CLAMPING RING (FOR AXLE)		02
17	0531018823	FLAT WASHER		01
18	0502012206	LOWER HUB		01
19	0503030084	1/2" X 1/2" X 2.0" STUD		14
20	0503011440	SPRING WASHER		14
21	0503010028	1/2" NUT		14
22	3402301247	MINERAL OIL GREASE		03

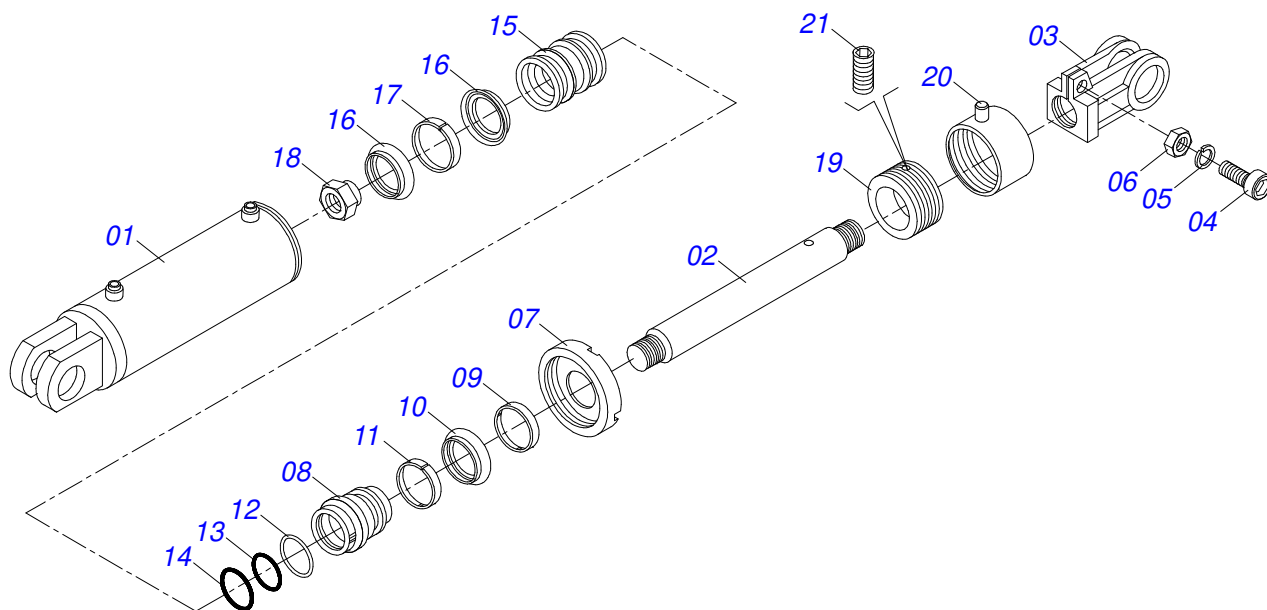


Item	Code	Description	See page	QT
01	0503010372	501050 CLAMPING RING (FOR AXLE)		01
02	0503010818	02675-BRG SEAL		04
03	0503011095	6208 BALL BEARING		06
04	0503011100	502080 CLAMPING RING (FOR AXLE)		08
05	0503011444	SPRING WASHER		06
06	0503010240	BOLT		06
07	0503030631	CENTRAL AXLE		01
08	0503030632	24Z CONICAL GEAR		03
09	0503030633	SIDE AXLE		02
10	0503030656	13.9" X 6.1" X 0.03" JOINT		01
11	0503010856	OIL PLUG		01
12	0511011206	BOX COVER		01
13	0511013020	1.49" BREATHING HOLE		01
14	0511017907	1/8" BSPT X 6 PLUG		01
15	0502010861	DISTRIBUTOR BOX		01
16	3402301247	MINERAL OIL GREASE		02Lts

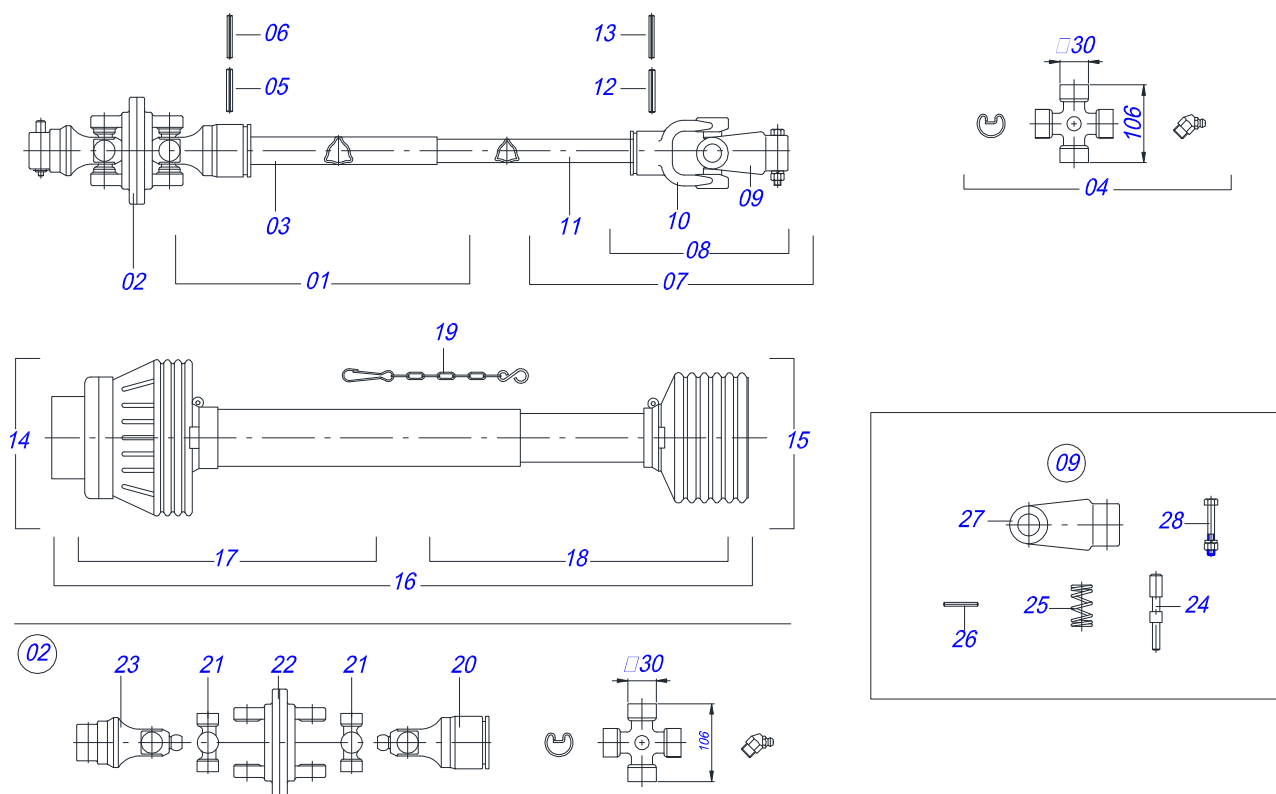


Item	Code	Description	See page	QT
01	0503016173	FEMALE PROTECTION ASSY		01
02	0503013262	FRICTION DISC PROTECTION ASSY		01
03	0503016172	CLUTCH ASSEMBLY		01
04	0502010830	6-60 STRIATED 1.3/8" TERMINAL		01
05	0503016171	LOCK RING		05
06	0503016170	ELASTIC PIN 06 X 75		01
07	0503016169	ELASTIC PIN 10 X 75		01
08	0503016168	ELASTIC PIN 06 X 85		01
09	0503016167	ELASTIC PIN 10 X 85		01
10	0503014096	CROSSPIECE		02
11	0503016166	MALE TRIANGLE TUBE S5000/2500 CI59		01
12	0503012600	T3-60/CI52 TERMINAL		01
13	0503016165	TRIANGULAR FEMALE TUBE S5000/2500		01
14	0503012608	T2-60/CI51 TERMINAL		01

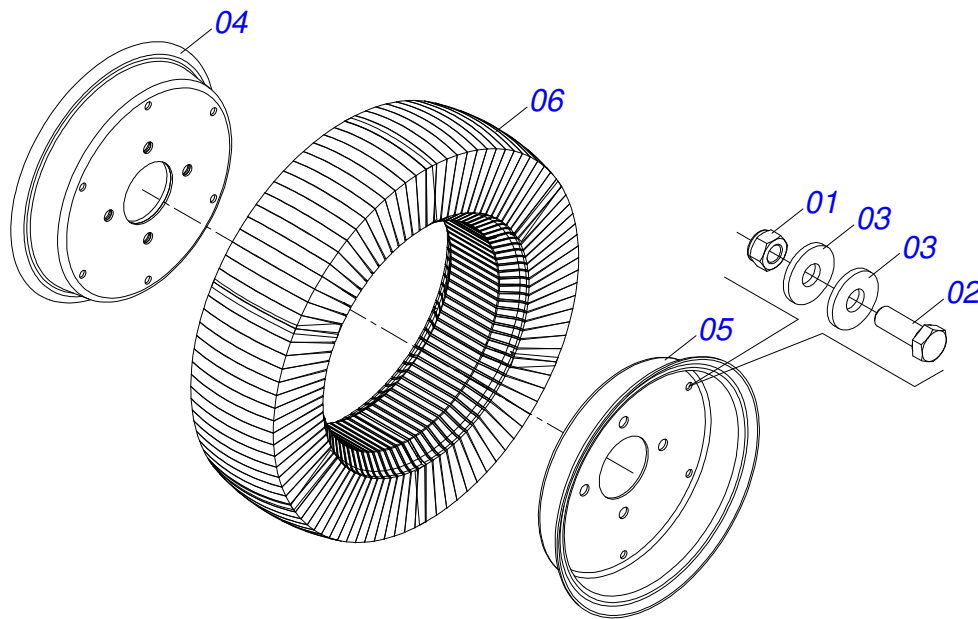
1.7" X 3.4" X 21" X 7" HYDRAULIC CYLINDER



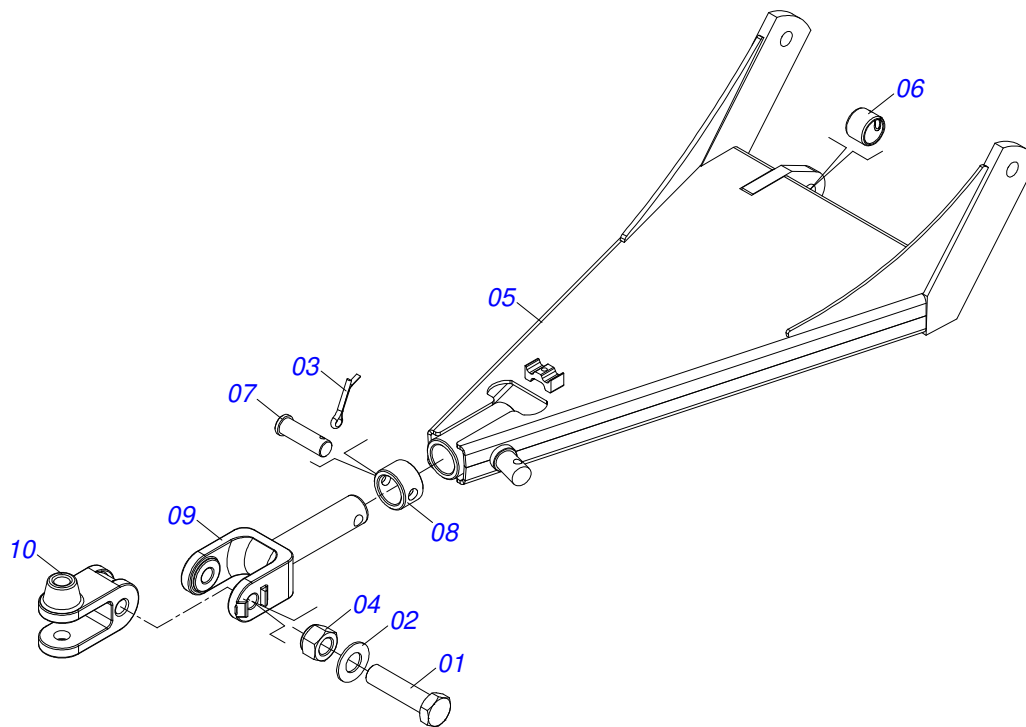
Item	Code	Description	See page	QT
01	0501064255	2.4" X 8" CYLINDER CASE		01
02	0521014292	1.7" X 15" TURNBUCLE WITH HOLES		01
03	0502040493	CLEVIS 26,50 R41		01
04	0503011094	3/8" X 2" BOLT		01
05	0503010025	3/8 SPRING WASHER		01
06	0503010026	3/8" NUT		01
07	0502010993	DETACHABLE COVER		01
08	0502010781	RING SUPPORT		01
09	0503010761	D-1750 SCRAPER RING		01
10	0503010990	GASKET		01
11	0503010949	W2-2000-500 PK RING G.E		01
12	0503011060	8-336 BACK-UP RING		01
13	0503010976	2-336 N 3006-9B O'RING		01
14	0503010042	2-214 N 3006-9B O'RING		01
15	0502010843	1.8" X 3.4" PISTON		01
16	0503010170	PACKING 3120 2750		02
17	0503010948	W4-3346-590 PK RING G.E		01
18	0503010063	1" SELF-ALIGNING NUT		01
19	0521014003	REG INNER BODY OF THE CARRY-WHEEL		01
20	0511060370	CARRY-W REG OUTER BODY ASSY		01
21	0503011148	3/8" X 1/2" BOLT		02
22	0501031796	HYDRAULIC CYLINDER REPAIR KIT		



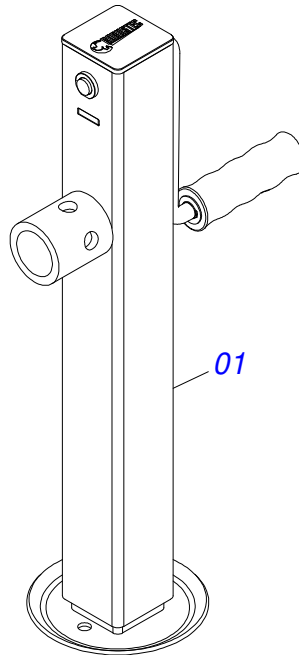
Item	Code	Description	See page	QT
01	0501052544	HOMO JOINT WITH FEMALE BUSHING		01
02	0501052518	HOMOCINETIC JOINT ASSY		01
03	0503012618	2.1" X 2.0" X 31" TRIAN FEMALE TUB		01
04	0503010837	CARDAN CROSSPIECE		01
05	0503010843	0.4" X 3.3" SPRING PIN		01
06	0503011878	0.2" X 3.3" SPRING PIN		01
07	0501052545	UNIVERSAL JOINT WITH CROSS/SHAFT		01
08	0501052546	UNIVERSAL JOINT		01
09	0501052516	T6-60 TERMINAL WITH SCREW		01
10	0503012600	T3-60/CI52 TERMINAL		01
11	0503012619	1.8" X 1.7" X 31" TRIAN MALE TUB		01
12	0503011069	0.4" X 2.8" SPRING PIN		01
13	0503011805	0.2" X 2.8" SPRING PIN		01
14	0501052548	HOMO JOINT WITH PROT FEMALE BUSHING		01
15	0501052549	UNIVERSAL JOINT WITH SHAFT/PROT		01
16	0503012620	PROTECTION ASSY		01
17	0503012621	PROTECTION FOR HOMO JOINT AND SLEEV		01
18	0503012076	PROTECTION FOR UNIV JOINT AND AXLE		01
19	0503012023	CHAIN FOR PROTECTION		01
20	0503012604	HOMO TERMINAL W/ FEMALE BUSHING		01
21	0503012605	CROSSPIECE		02
22	0503012606	CENTER BODY		01
23	0503012607	TRACTOR HOMOCINETIC TERMINAL		01
24	0503037375	PIN QUICK COUPLING		02
25	0503030518	0.5"X1.0"X 0.1" COMPRESSION SPRING		02
26	0503010838	0.1" X 0.8" SPRING PIN		02
27	0502010830	6-60 STRIATED 1.3/8" TERMINAL		01
28	0501047756	1/2" X 3" SET PARTS		02



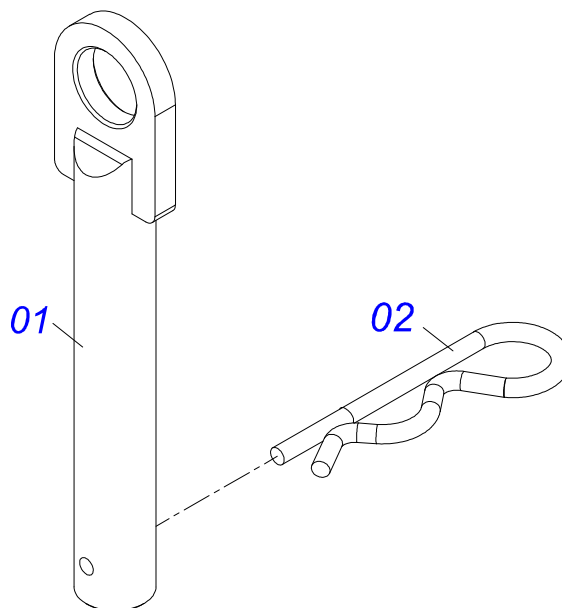
Item	Code	Description	See page	QT
01	0503013357	3/8 SELF-ADJUSTING NUT		06
02	0503010237	3/8" X 1" BOLT		06
03	0501010984	10,50 X 27 X 3,00 FLAT WASHER		12
04	0501069093	RIM FLANGE		01
05	0521010829	RIM FLANGE		01
06	0501110168	WHEEL SEGMENT BODY		01



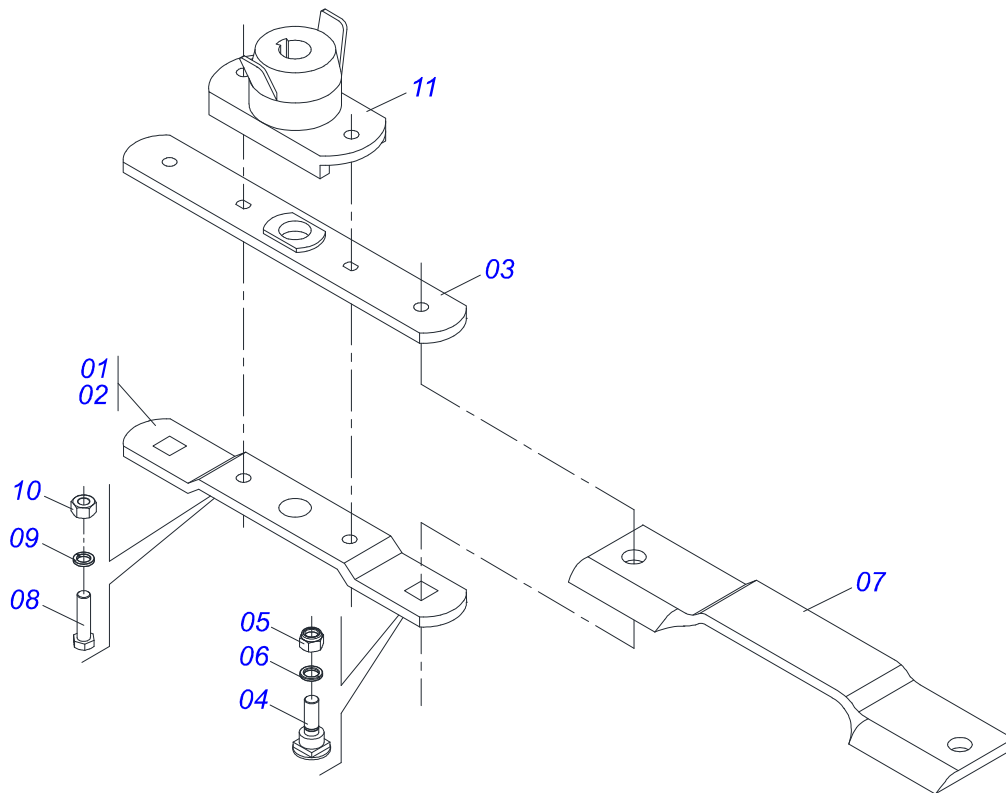
Item	Code	Description	See page	QT
01	0501010060	1" X 6-1/2" BOLT		01
02	0501810623	27 X 53 X 3.00 FLAT WASHER		01
03	0503010571	1/4" X 1.1/2 COTTERPIN		01
04	0503018754	1-8 UNC NUT		01
05	0511062049	DRAWBAR		01
06	0511019921	1.3" X 0.1" X 1" SLEEVE		01
07	0521010639	COUPLING SHAFT		01
08	0521010681	BUSHING COUPLING BODY		01
09	1902040923	ROTATING HITCH		01
10	1902040921	U HITCH TRACTOR		01



Item	Code	Description	See page	QT
01	0503062157	DRAWBAR JACK	10	01



Item	Code	Description	See page	QT
01	0501068989	COUPLING SHAFT		01
03	0503031035	HITCH PIN CLIP		01



Item	Code	Description	See page	QT
01	0501056326	SUPPORT WITH ROTARY CUTTER BLADES		01
02	0561017368	ROTARY LOWER SUPPORT		01
03	0561017308	SUPPORT UPPER BASE		01
04	0511019000	BOLT		02
05	0503010812	7/8" UNF SELF LOCKING NUT		02
06	0503011447	SPRING WASHER		02
07	0622400057	21.6" X 3.94" X 0.5" ROTARY CUTTER		02
08	0503010901	3/4UNC 3.1/2 BOLT		02
09	0503010023	3/4" SPRING WASHER		02
10	0503010014	3/4" HEX NUT		02
11	0502012453	SUPPORT FLANGE		01



MARCHESAN

Technical Publications | Elaboration and Revision
LUIZ CANDIDO

www.marchesan.com.br

