

PARTS CATALOG

ROTARY CUTTERS

RCA2 3100 S-0214

Code: 0501091332



Series: S-0214

Review: FEVEREIRO/14

ORIGINAL PARTS
TATU

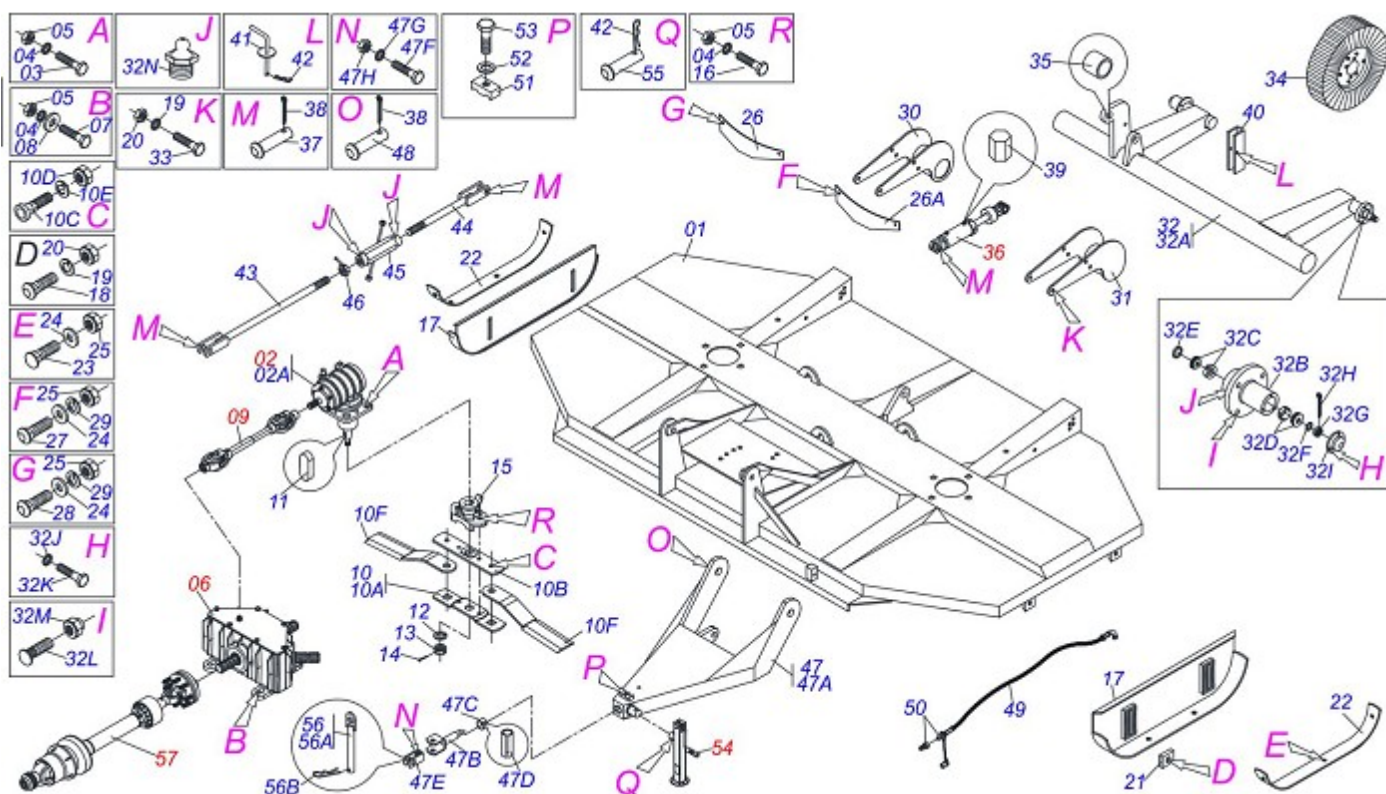


INDEX

SPEED MULTIPLIER	1
BOX MULTIPLIER	2
TRIPLE DISTRIBUTOR RC 4500	3
DRIVE SHAFT	4
90 KGM FRICTION	5
1.7" X 3.4" X 21" X 7" HYDRAULIC CYLINDER	6
DRIVE SHAFT	7
CARDAN 60 X 900 T1/T6 C/P 0501047948 (STU)	8
(SHEET METAL SUPPORT)SPARE	9
DRAWBAR JACK ASSY	10
	11

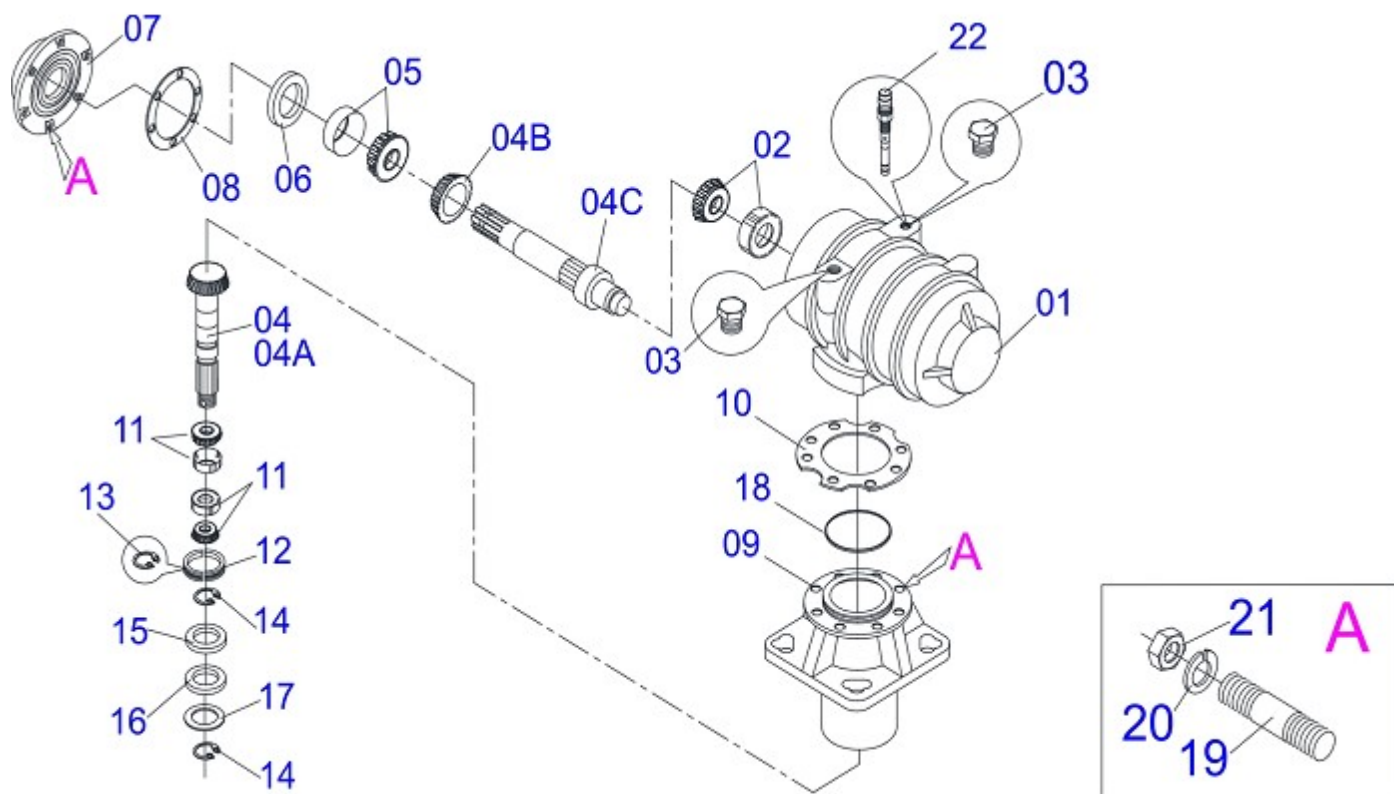
ATTENTION: **IMPORTANT**

MARCHESAN RESERVES THE RIGHT AT ANY TIME TO MAKE IMPROVEMENTS IN THE DESIGN, MATERIAL OR SPECIFICATIONS OF MACHINERY, EQUIPMENT OR PARTS WITHOUT THEREBY BECOMING LIABLE TO MAKE SIMILAR CHANGES IN MACHINERY, EQUIPMENT OR PARTS PREVIOUSLY SOLD.

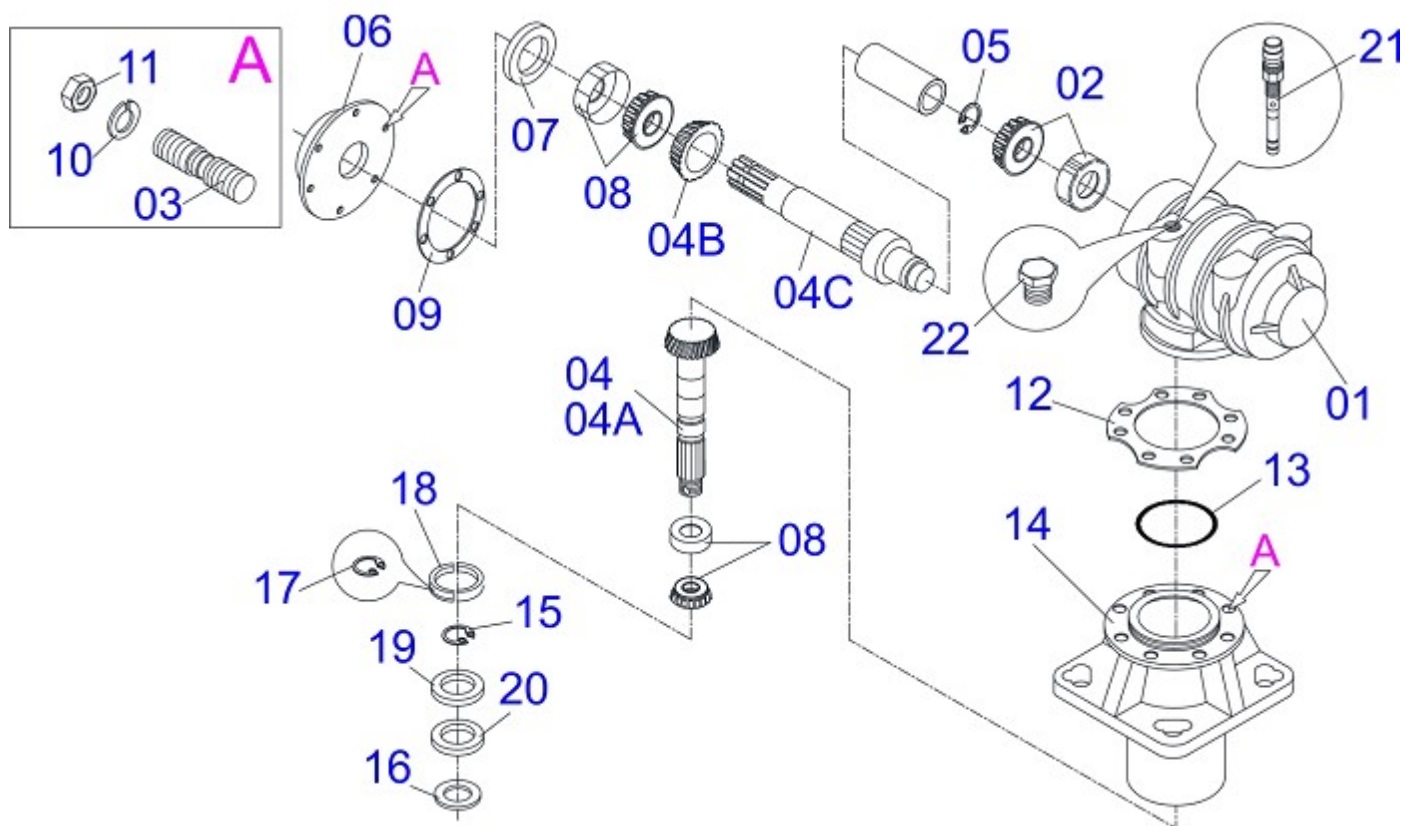


Item	Code	Description	QT
01	0511060417	FRAME	CHASSI RCA 3100
02	0511042527	SPEED MULTIPLIER	MULTIPLICADOR VELOCIDADE MSD 1.3/8"
02A	0511042525	BOX MULTIPLIER	MULTIPLICADOR VELOCIDADE MSE 1.3/8"
03	0503010797	3/4" X 4" BOLT	PARAFUSO 3/4" UNC X 4" C S G.5 ZN
04	0503010023	3/4" SPRING WASHER	ARRUELA PRESSAO 3/4" ZN 1K01584
05	0503010014	3/4" NUT	PORCA 3/4" NC S ZN
06	0501044074	TRIPLE DISTRIBUTOR RC 4500	DISTRIBUIDOR TRIPLO 1.3/8" RC 4500
07	0501010125	3/4" X 2-1/2" BOLT	PARAFUSO 3/4" UNC X 2.1/2" C S G.5 ZN
08	0501010322	FLAT WASHER	ARRUELA LISA 20,50 X 46 X 4,75 ZN
09	0501049332	DRIVE SHAFT	CARDAN 40 X 230 T8/FRI CC2562/2E
10	0501056320		SUPORTE ROÇADOR 340 C/ROCAD
10A	0561017368	ROTARY LOWER SUPPORT	SUPORTE INFERIOR ROCADOR 340
10B	0561017308	SUPPORT UPPER BASE	BASE SUP SUPT ROCADORES 340 RC2/E
10C	0511019000	FASTENER ROCADORES	PRENDEDOR ROCADORES RC2 3100 ZN
10D	0503010812	7/8" UNF SELF ADJUSTING NUT	PORCA AUTOFREN 7/8" UNF ALTA
10E	0503011447	7/8" SPRING WASHER	ARRUELA PRESSAO 7/8" SA
10F	0622340052	24.5" X 3.94" X 0.5" ROTARY CUTTER	ROCADOR CM 622X100X12 CD RC2/RCA
11	0501010536	0.4" X 1.7" KEYWAY SQUARE	CHAVETA Q 9,52 X 450.4" X
12	0501017779	FLAT WASHER	ARRUELA LISA 32 X 60 X 4,75 ZN
13	0503011052	1.1/4" X 0.77" CASTLE NUT	PORCA CAST 1.1/4" UNF X 19,5 ZN
14	0503010067	3/16" X 2.1/2" COTTER PIN	CONTRAPINO 3/16" X 2.1/2" SA
15	0502012453	SUPPORT FLANGE	FLANGE SUPT ROCAD RC2E 3100
16	0503011328	3/4" X 4" BOLT	PARAFUSO 3/4" UNC X 4" C S G.7 ZN
17	0511064760	930 SKATE	PATIM 930 RC2 3100 S-0503
18	0501014177	5/8" X 2-1/2" BOLT	PARAFUSO 5/8" UNC X 2.1/2" CAPQ G.5 ZN
19	0503010027	5/8" SPRING WASHER	ARRUELA PRESSÃO 5/8" ZN 1K01574
20	0503010013	5/8" NUT	PORCA 5/8" NC ZN 1K03087
21	0502010083	SQUARE WASHER	CREMALHEIRA REGD
22	0531019436	SKID GUIDE	GUIA PATIM RO2 3100 S-0503
23	0503012956	1/2" X 1-1/2" BOLT	PARAFUSO 1/2" BSW X 1.1/2" CEPQ G.5 ZN
24	0511017302	FLAT WASHER	ARRUELA LISA 13,50 X 32,50 X 3,0 ZN
25	0503010020	1/2" NUT	PORCA 1/2" BSW ZN 1K03768
26	0511019203	37.6" RIGHT PROTECTION	APARADOR DIR 955 RC2 3100

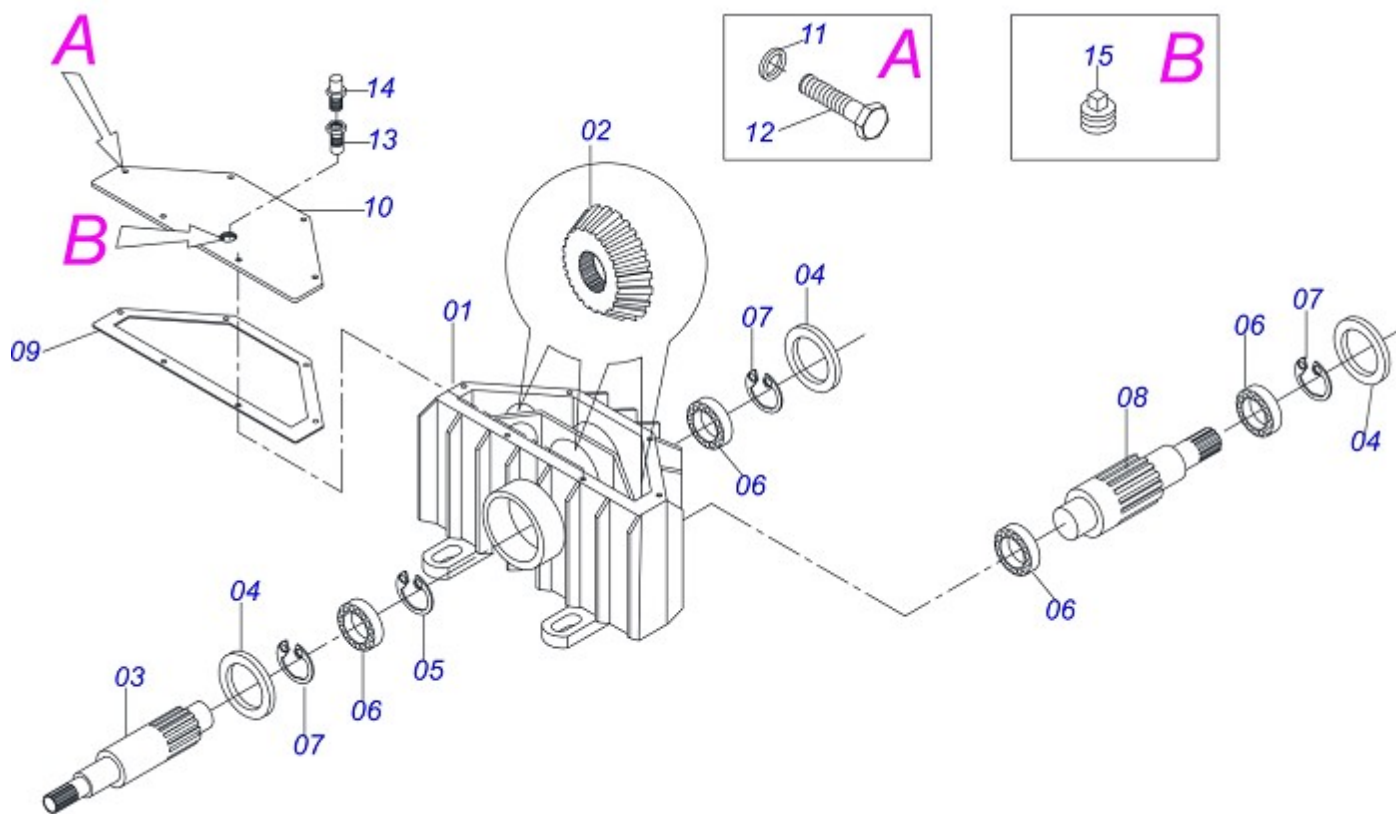
Item	Code	Description	QT
26A	0511019202	37.6" LEFT PROTECTION	APARADOR ESQ 955 RC2 3100
27	0501011600	1/2" X 1-1/4" BOLT	PARAFUSO 1/2" BSW X 1.1/4" CAPQ G.2 ZN
28	0501010243	1/2" X 1-1/2" BOLT	PARAFUSO 1/2" BSW X 1.1/2" CAPQ G.2 ZN
29	0503010019	1/2" SPRING WASHER	ARRUELA PRESSÃO 1/2" ZN 1K01556
30	0511060360	WHEELS RIGHT FIXER	FIXADOR DIR RODADO RCA 3100
31	0511060361	WHEELS LEFT FIXER	FIXADOR ESQ RODADO RCA 3100
32	0501052260	CARRYING WHEEL	RODADO TRANSP C/CAIXA RCA 3100
32A	0511060359	CARRYING WHEEL	RODADO TRANSPORTE RCA 3100
32B	0502020605	CARRYING WHEEL HUB	CAIXA RODADO RC 4500
32C	0503010016	BEARING LM 48548/48510	ROLAMENTO LM 48548/48510
32D	0503010022	BEARING LM 67048/67010	ROLAMENTO LM 67048/67010
32E	0503010278	SEAL # 00527-B	RETENTOR 00527-B
32F	0501010071	SUPPORT BODY	CORPO SUPORTE AF
32G	0503030010	7/8" CASTLE NUT	PORCA CAST 7/8 NF ZN
32H	0503010018	5/32" X 1-1/2" COTTERPIN	CONTRAPINO 5/32" X 1.1/2"
32I	0521010388	COVER	TAMPA PROT AELH
32J	0503010143	1/4" SPRING WASHER	ARRUELA PRESSÃO 1/4" ZN 1K01518
32K	0503010298	1/4" X 1/2" BOLT	PARAFUSO 1/4" UNC X 1/2" C S G.2 ZN
32L	0501010127	9/16" X 1-7/8" LUG BOLT	PARAFUSO ROD9/16"UNFX1.7/8"CR G.5
32M	0503010035	9/16" CONICAL NUT	PORCA CONICA 9/16" UNF ZN
32N	0503010002	GREASE FITTING	GRAXEIRA 1800
33	0503010795	5/8" X 7" BOLT	PARAFUSO 5/8" UNC X 7 C S G.5 ZN
34	0501043559	WHEEL SEGMENT	RODA SEGM 525 RC 4500
35	0511019921	1.3" X 0.1" X 1" SLEEVE	LUVA 32,50 X 3,05 X 25,40
36	0501048464	1.7" X 3.4" X 21" X 7" HYDRAULIC CYLINDER	CILINDRO HIDR 44,45 X 85,70 X 540 X 178
37	0521010575	0.9" X 3.7" COUPLING SHAFT	EIXO JUNCÃO 25 X 90 C A ZN
38	0503010571	1/4" X 1.1/2" COTTERPIN	CONTRAPINO 1/4" X 1.1/2"
39	0511017628	BREATHER 1/4 HYDRAULIC CYLINDER	RESPIRO CILINDRO HIDR RC 4500
40	0521014258	6.9" X 1.9" TRANSPORT LOCK	TRAVA P/TRANSP 175 X 47,5 RCA 3100
41	0501068994	0.3" X 3.1" LOCK PIN	EIXO TRAVA 8,30 X 78 ATCR ZN
42	0503030168	HAIR PIN	CUPILHA 3 X 50 SDA 11/6"
43	0511060368	ROD LARGER STABILIZER	VARÃO ESTAB MAIOR RCA 3100
44	0511060369	ROD SMALLER STABILIZER	VARÃO ESTAB MENOR RCA 3100
45	0501110252	185 ADJUSTMENT NUT	PORCA REG 185 PSA3
46	0501064974	LOCKNUT WITH HANDLER	CONTRAPORCA C/MANIP PSA2
47	0501053006	DRAWBAR W/ COUPLING OF THE TRACTOR	CABEÇALHO C/ENG TRATOR RC2 4500
47A	0511062049	DRAWBAR	CABEÇALHO RC2 4500
47B	0501063628	ROTARY HITCH	ENGATE GIRATORIO RO/RC
47C	0521010473	1.5" X 2.2" X 1.6" SLEEVE WITH HOLE	LUVA 38 X 56 X 40 C/FURO ROAT
47D	0503010815	0.5" X 2.16" ELASTIC PIN	PINO ELAST 701309 14 X 55
47E	0501063629	U TRACTOR COUPLING	U ENGATE TRATOR ROAT
47F	0501010191	1" X 6" BOLT	PARAFUSO 1" UNC X 6 C S G.5 ZN
47G	0503010012	1" SPRING WASHER	ARRUELA PRESSÃO 1" ZN 1K01602
47H	0501010059	1" NUT HEX	PORCA 1" NC SEXT 1.5/8" ZN
48	0521010572	0.9" X 2.9" COUPLING SHAFT	EIXO JUNCÃO 25 X 75 C A ZN
49	0501080365	3/8" X 137" HOSE	MANGUEIRA 3/8" X 3500 TC-TM
50	0503011627	QUICK CONNECTION (MALE) AGR 1/2 NPT	MACHO ENGATE RAP AGR 1/2" NPT
51	0502012702	UPPER CLAMP BODY	CORPO SUPERIOR PRESILHA R7/16"
52	0503010180	7/16" SPRING WASHER	ARRUELA PRESSÃO 7/16" ZN 1K01546
53	0503012555	7/16" X 2" BOLT	PARAFUSO 7/16" UNC X 2" C S RT G.7 ZN
54	0503062157	HEADER JACK	MACACO COMPLETO (1259) ROBUSTEC
55	0521010549	0.5" X 2.3" COUPLING SHAFT	EIXO JUNCÃO 12,70X60 CA GT M1120 ZN
56	0501047881	COUPLING SHAFT ASSY	EIXO JUNCÃO COMPL PST2
56A	0501068989	COUPLING SHAFT	EIXO JUNCÃO PST/PDC ZN
56B	0503031035	HAIR PIN	CUPILHA 6 X 88
57	0511044862	DRIVE SHAFT	CARDAN 60 X 195 T6/FR CI5092/1PE



Item	Code	Description	
00	0511042527	SPEED MULTIPLIER	
01	0502012204	SPEED MULTIPLIER BOX	01
02	0503012418	32211 ROLLER BEARING	01
03	0503031604	1/2" BSP PLUG	01
04	0503060623	CROWN PINION SET	01
04A	0503031918	18Z CONICAL GEAR	01
04B	0503031917	PINION CONICAL	01
04C	0503031924	UPPER AXLE	01
05	0503010750	30209 BALL BEARING	01
06	0503012103	5301 -BSEAL	01
07	0502012203	RH COVER MULTIPLIER	01
08	0503030783	7.1" X 5.3" X 0.008" JOINT	03
09	0502012206	LOWER HUB	01
10	0503030785	7.9" X 5.9" X 0.008" JOINT	03
11	0503012418	32211 ROLLER BEARING	02
12	0531019302	LOCK RING	01
13	0503012311	501065 RENO RING	01
14	0503011420	502100 CLAMPING RING (FOR AXLE)	02
15	0503013211	6016 BRG SEAL	01
16	0503013201	ARCA 6016 BRG SEAL	01
17	0531018823	FLAT WASHER	01
18	0503010286	2-355 N 3006-9B O'RING	01
19	0503030084	1/2" X 1/2" X 2.0" PRISONER	14
20	0503011440	1/2" SPRING WASHER	06
21	0503010028	1/2" NUT	06
22	0501110186	OIL SMALLER LEVEL INDICATOR	01

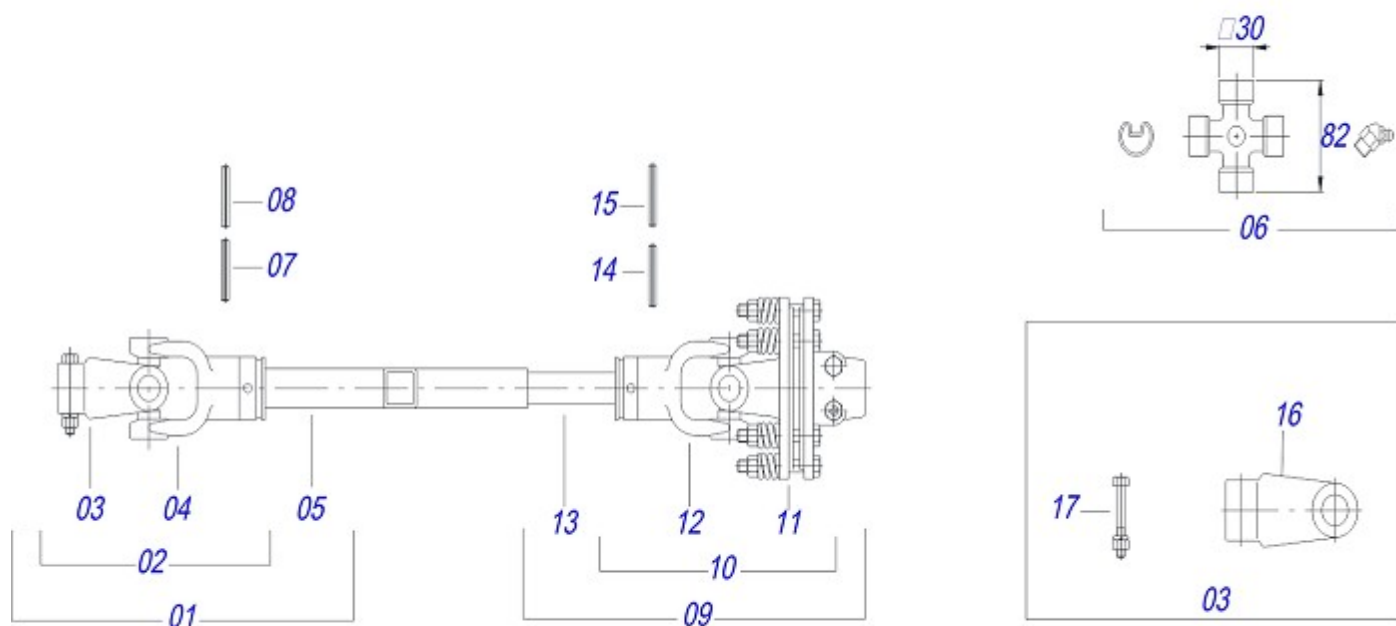


Item	Code	Description	
00	0511042525	BOX MULTIPLIER	00
01	0502012205	BOX MULTIPLIER	01
02	0503010750	30209 BALL BEARING	01
03	0503030084	1/2" X 1/2" X 2.0" PRISONER	14
04	0503061698	CROWN PINION SET 12Z 12Z AXLE LEFT	01
04A	0503031918	18Z CONICAL GEAR	01
04B	0503031917	PINION CONICAL	01
04C	0503032043	UPPER AXLE	01
05	0503014772	501056 CLAMPING RING (FOR AXLE)	01
06	0502012207	COVER MULTIPLIER	01
07	0503012103	5301 -BSEAL	01
08	0503012418	32211 ROLLER BEARING	03
09	0503030783	7.1" X 5.3" X 0.008" JOINT	03
10	0503011440	1/2" SPRING WASHER	14
11	0503010028	1/2" NUT	14
12	0503030785	7.9" X 5.9" X 0.008" JOINT	03
13	0503010286	2-355 N 3006-9B O'RING	01
14	0502012206	LOWER HUB	01
15	0531019302	LOCK RING	01
16	0531018823	FLAT WASHER	01
17	0503012311	501065 RENO RING	01
18	0503011420	502100 CLAMPING RING (FOR AXLE)	02
19	0503013211	6016 BRG SEAL	01
20	0503013201	ARCA 6016 BRG SEAL	01
21	0501110186	OIL SMALLER LEVEL INDICATOR	01
22	0503031604	1/2" BSP PLUG	01

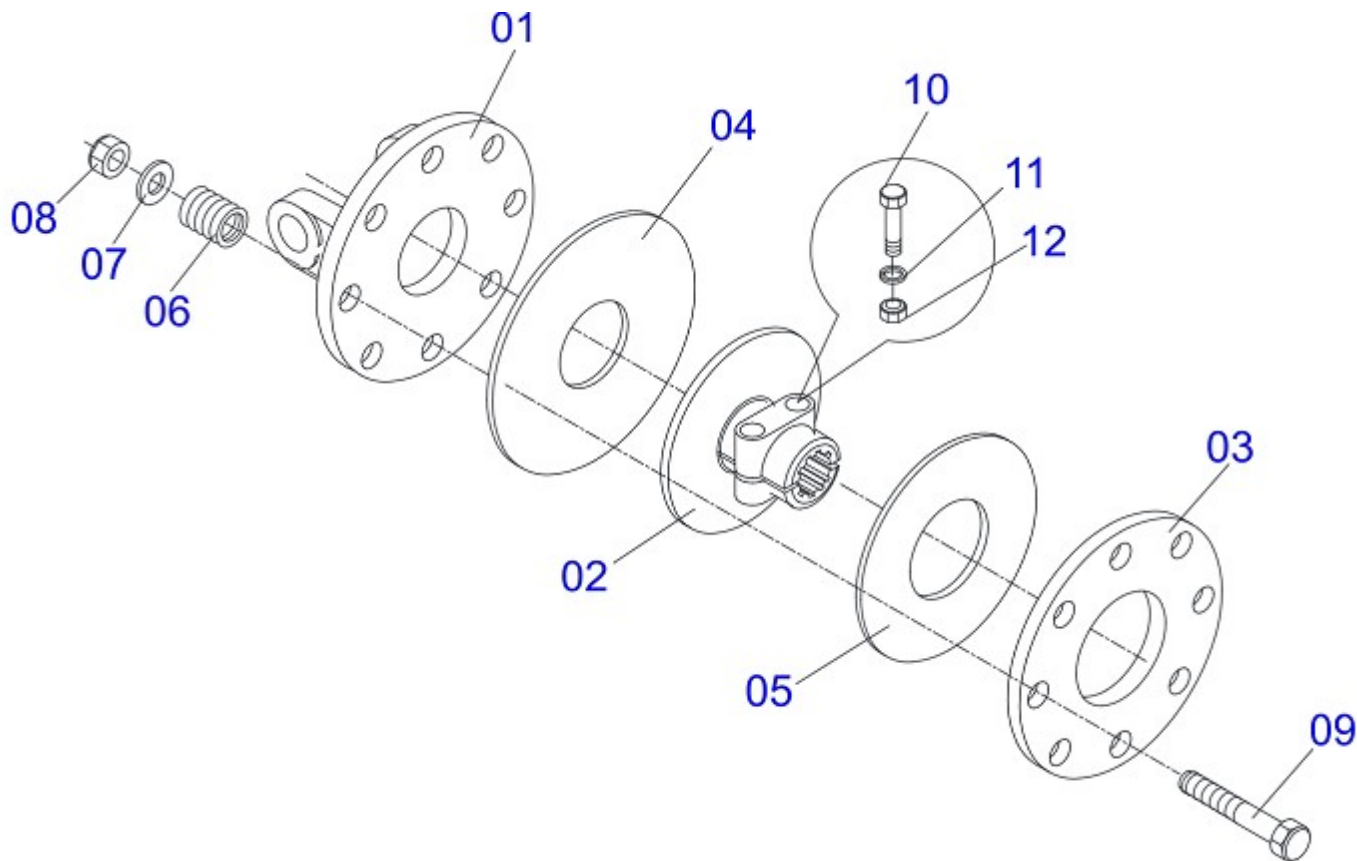


Item	Code	Description	
00	0501044074	TRIPE DISTRIBUTOR RC 4500	01
01	0502010861	DISTRIBUTOR BOX	01
02	0503030632	24Z CONICAL GEAR	03
03	0503030631	CENTRAL AXLE	01
04	0503010818	02675-BRG SEAL	04
05	0503010372	501050 CLAMPING RING (FOR AXLE)	01
06	0503011095	6208 BALL BEARING	06
07	0503011100	502080 CLAMPING RING (FOR AXLE)	04
08	0503030633	SIDE AXLE	02
09	0503030656	13.9" X 6.1" X 0.03" JOINT	01
10	0511011206	BOX COVER	01
11	0503010179	5/16" SPRING WASHER	06
12	0503010240	5/16" X 3/4" BOLT	06
13	0511013020	1.49" BREATHING HOLE	01
14	0503010325	VCA-118 VALVE	01
15	0503010856	3/8" OIL PLUG	02

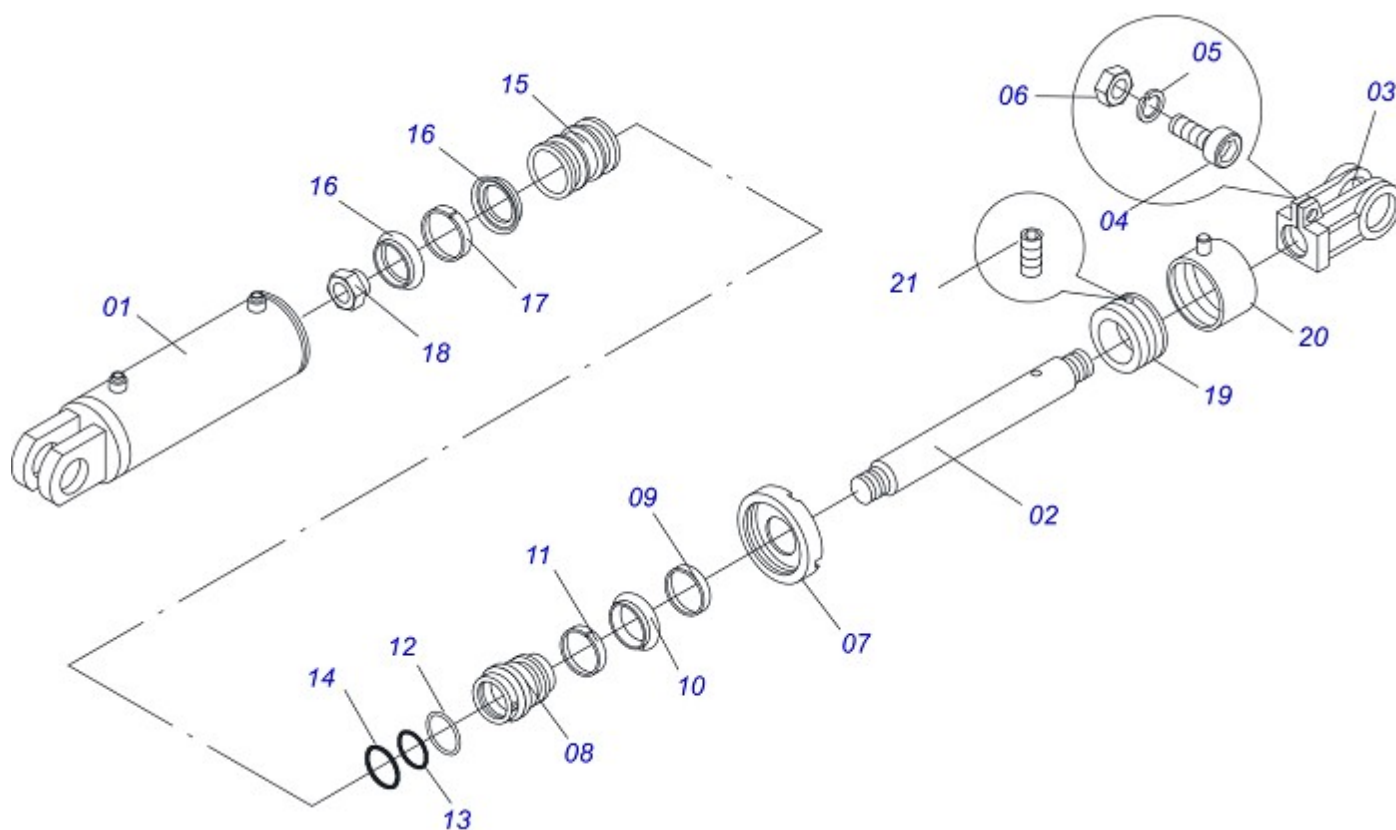
DRIVE SHAFT



Item	Code	Description	
00	0501049332	DRIVE SHAFT	01
01	0501052635	UNIVERSAL JOINT WITH SLEEVE	01
02	0501051731	UNIVERSAL JOINT	01
03	0501052559	8-40 TERMINAL WITH SCREW	01
04	0502011429	2-40 TERMINAL	01
05	0521017349	1.2" X 9.1" SQUARE SLEEVE	01
06	0503012096	CROSSPIECE	02
07	0503011069	0.4" X 2.8" ELASTIC PIN	01
08	0503010510	0.2" X 2.6" ELASTIC PIN	01
09	0501052663	UNIVERSAL JOINT WITH CROSS/SHAFT	01
10	0501051733	UNIVERSAL JOINT WITH CROSSPIECE	01
11	0501047953	90 KGM FRICTION	01
12	0502011430	3-40 TERMINAL	01
13	0521017531	1.3" X 9.1" SQUARE AXLE	01
14	0503010361	0.4" X 2.4" ELASTIC PIN	01
15	0503010756	0.2" X 2.4" ELASTIC PIN	01
16	0502011428	8-40 TERMINAL	01
17	0501047756	1/2" X 3" SET PARTS	01

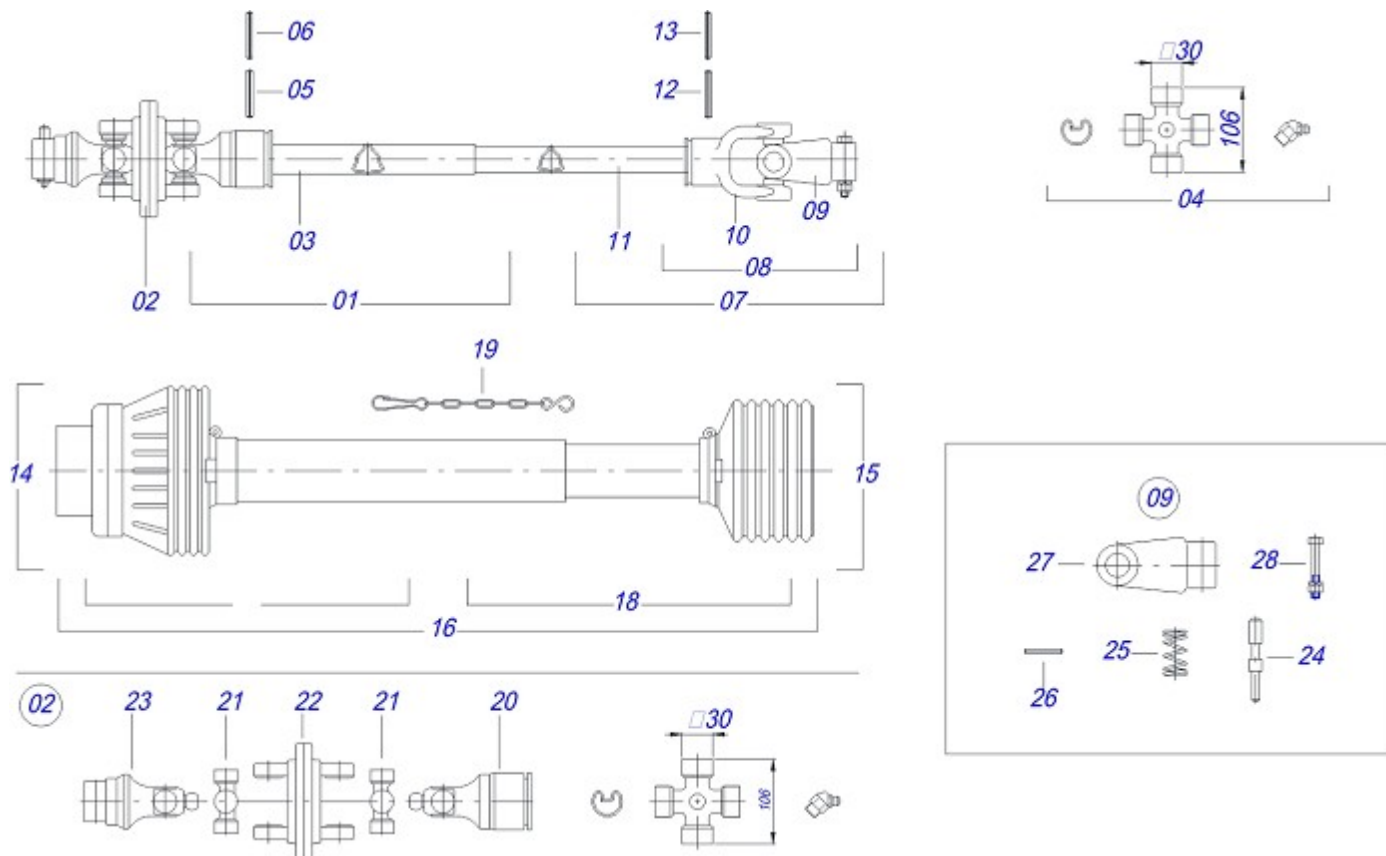


Item	Code	Description	
00	0501047953	90 KGM FRICTION	01
01	0503012095	FRONT FLANGE	01
02	0503011869	CENTRAL FLANGE	01
03	0503011870	REAR FLANGE	01
04	0503031474	INNER FRICTION DISC	01
05	0503031478	OUTER FRICTION DISC	01
06	0503030630	1.02"X1.3"X0.2" COMPRESSION SPRING	08
07	0511017302	FLAT WASHER	08
08	0503011336	1/2" HEX SELF ADJUSTING NUT	08
09	0503010752	1/2" X 3.1/2" BOLT	08
10	0503010741	1/2" X 2-3/4" BOLT	02
11	0503010019	1/2" SPRING WASHER	02
12	0503010060	1/2" NUT	02

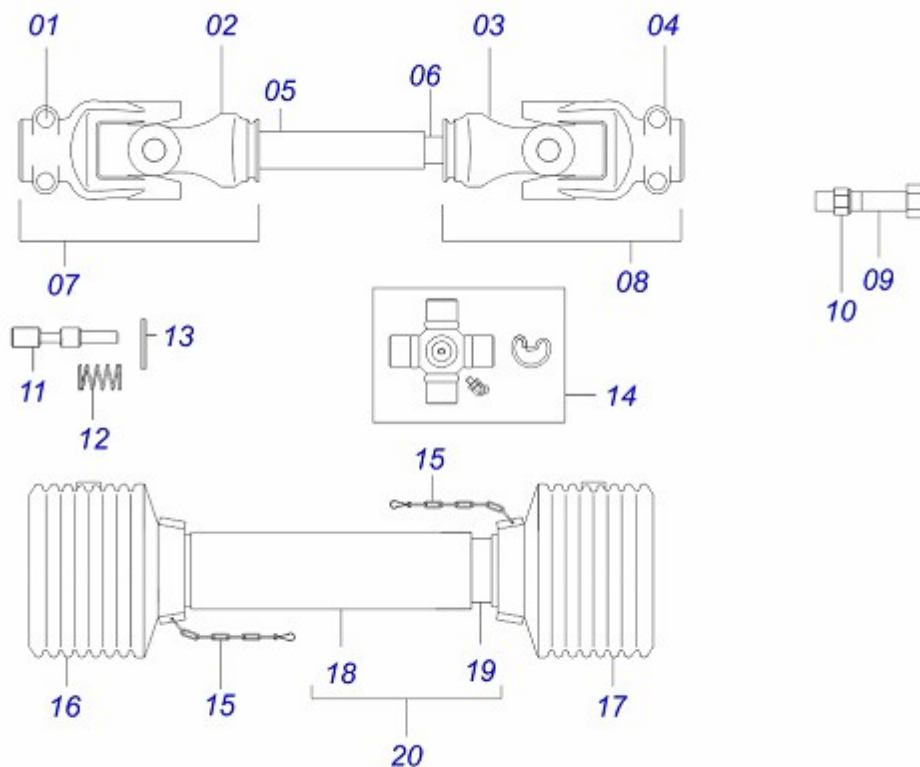


Item	Code	Description	
00	0501048464	1.7" X 3.4" X 21" X 7" HYDRAULIC CYLINDER	01
01	0501064255	2.4" X 8" CYLINDER CASE	01
02	0521014292	1.7" X 15" TURNBUCLE WITH HOLES	01
03	0502040493	CLEVIS 26,50 R41	01
04	0503011094	3/8" X 2" BOLT C C S I 12.9	01
05	0503010025	3/8" SPRING WHASHER	01
06	0503010026	3/8" NUT	01
07	0502010993	DETACHABLE COVER	01
08	0502010781	RING SUPPORT	01
09	0503010761	D-1750 SCRAPER RING	01
10	0503010990	GASKET	01
11	0503010949	W2-2000-500 PK RING G.E	01
12	0503011060	8-336 BACK-UP RING	01
13	0503010976	2-336 N 3006-9B O'RING	01
14	0503010042	2-214 N 3006-9B O'RING	01
15	0502010843	1.8" X 3.4" PISTON	01
16	0503010170	PACKING 3120 2750	02
17	0503010948	W4-3346-590 PK RING G.E	01
18	0503010063	1" SELF-ALIGNING NUT	01
19	0521014003	REG INNER BODY OF THE CARRY-WHEEL	01
20	0511060370	CARRY-W REG OUTER BODY ASSY	01
21	0503011148	3/8" X 1/2" BOLT	02
22	0501031796	HYDRAULIC CYLINDER REPAIR KIT	

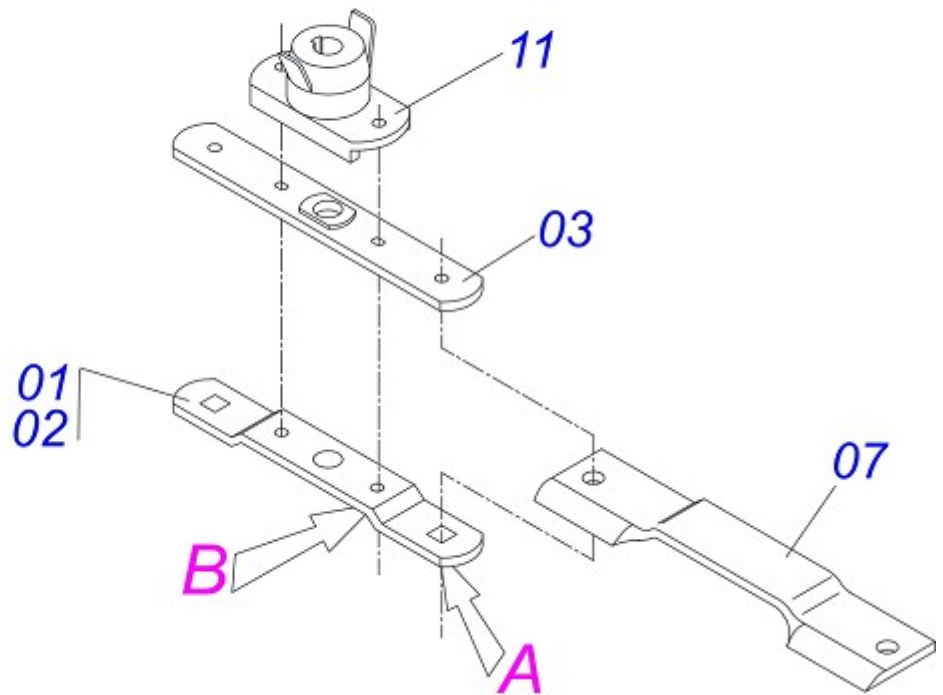
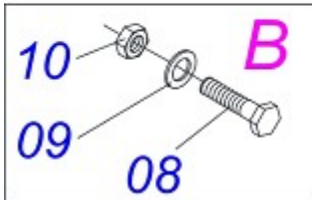
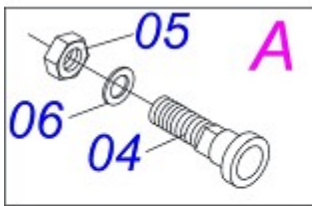
DRIVE SHAFT



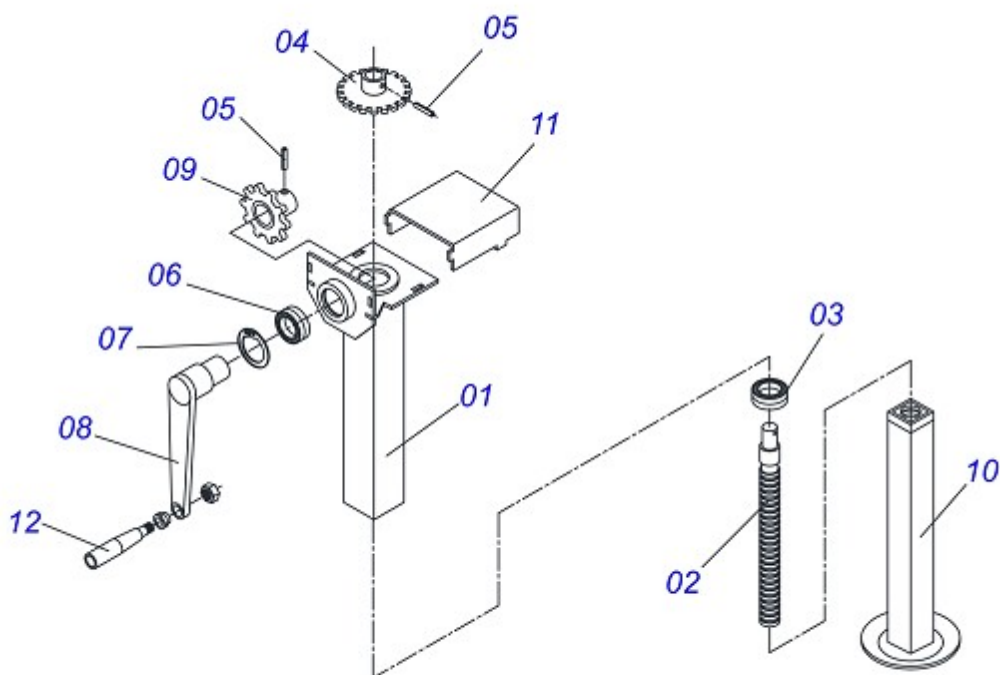
Item	Code	Description	
00	0501049129	DRIVE SHAFT	01
01	0501052544	HOMO JOINT WITH FEMALE BUSHING	01
02	0501052518	HOMOCINETIC JOINT ASSY	01
03	0503012618	2.1" X 2.0" X 31" TRIAN FEMALE TUB	01
04	0503010837	CARDAN CROSSPIECE	01
05	0503010843	0.4" X 3.3" ELASTIC PIN	01
06	0503011878	0.2" X 3.3" ELASTIC PIN	01
07	0501052545	UNIVERSAL JOINT WITH CROSS/SHAFT	01
08	0501052546	UNIVERSAL JOINT	01
09	0501052516	T6-60 TERMINAL WITH SCREW	01
10	0503012600	T3-60/CI52 TERMINAL	01
11	0503012619	1.8" X 1.7" X 31" TRIAN MALE TUB	01
12	0503011069	0.4" X 2.8" ELASTIC PIN	01
13	0503011805	0.2" X 2.8" ELASTIC SPRING PIN	01
14	0501052548	HOMO JOINT WITH PROT FEMALE BUSHING	01
15	0501052549	UNIVERSAL JOINT WITH SHAFT/PROT	01
16	0503012620	PROTECTION ASSY	01
17	0503012621	PROTECTION FOR HOMO JOINT AND SLEEV	01
18	0503012076	PROTECTION FOR UNIV JOINT AND AXLE	01
19	0503012023	CHAIN FOR UNIV JOINT PROTECTION	01
20	0503012604	HOMO TERMINAL W/ FEMALE BUSHING	01
21	0503012605	CROSSPIECE	02
22	0503012606	CENTER BODY	01
23	0503012607	TRACTOR HOMOCINETIC TERMINAL	01
24	0521010638	0.5" X 3.3" QUIC HITCH COUPL SHAFT	02
25	0503030518	0.5"X1.0"X 0.1" COMPRESSION SPRING	02
26	0503010838	0.1" X 0.8" ELASTIC PIN	02
27	0502010830	6-60 STRIATED 1.3/8" TERMINAL	01
28	0501047759	1/2" X 3-1/2" BOLT ASSY	02



Item	Code	Description	QT
01	0503017647		01
02	0503017672		01
03	0503017673		01
04	0503017674		01
05	0503017687		01
06	0503017685		01
07	0503062347		01
08	0503062348		01
09	0503017645		01
10	0503017646		01
11	0503017626		01
12	0503017627		01
13	0503017628		01
14	0503017667		02
15	0503017631		02
16	0503017680		01
17	0503017681		01
18	0503017682		01
19	0503017683		01
20	0503062354		01



Item	Code	Description	QT
01	0501056326	SUPPORT WITH ROTARY CUTTER BLADES	01
02	0561017368	ROTARY LOWER SUPPORT	01
03	0561017308	SUPPORT UPPER BASE	01
04	0511819000	FASTERNER ROCADORES	02
05	0503010812	7/8" UNF SELF ADJUSTING NUT	02
06	0503011447	7/8" SPRING WASHER	02
07	0622400057	21.6" X 3.94" X 0.5" ROTARY CUTTER	02
08	0503010901	3/4" X 3-1/2" BOLT	02
09	0503010023	3/4" SPRING WASHER	02
10	0503010014	3/4" NUT	02



Item	Code	Description	
00	0511041259	DRAWBAR JACK ASSY	01
01	0511064237	OUTER BODY DRAWBAR JACK	01
02	0531017603	JACK SPINDLE	01
03	0503013092	51305 BEARING	01
04	0511064234	20Z DRIVER GEAR	01
05	0503010561	0.2" X 1.4" ELASTIC PIN	02
06	0503011410	BALL BEARING	01
07	0503011105	502047 CLAMPING RING (FOR AXLE)	01
08	0511064235	JACK CRANK	01
09	0511064233	10Z DRIVER GEAR	01
10	0511064236	JACK INNER BODY	01
11	0531017602	PROTECTION COVER GEAR	01
12	0503011312	ROTATIVE CABLE	01



MARCHESAN

MARCHESAN IMPLEMENTOS E MÁQUINAS AGRÍCOLAS TATU S.A.

AV. Marchesan, 1979 - Post office box, 131 - CEP 15994-900 - Matão - SP - Brazil

Phone +55 16.3382-8282

(FAX Parts) + 55 16.3382. 8297 - (Export) + 55 16.3382.1003

e.mail: tatu@marchesan.com.br www.marchesan.com.br

*Drafting and Illustration = GASPARI
e.mail = jgaspari@marchesan.com.br*

**ORIGINAL PARTS
TATU**



MARCHESAN