

PARTS CATALOGUE



ROTARY CUTTERS

Code:

0501091330

Product:

RC2 3100



Series:

S-0498

Revision:

01

Date Revision:

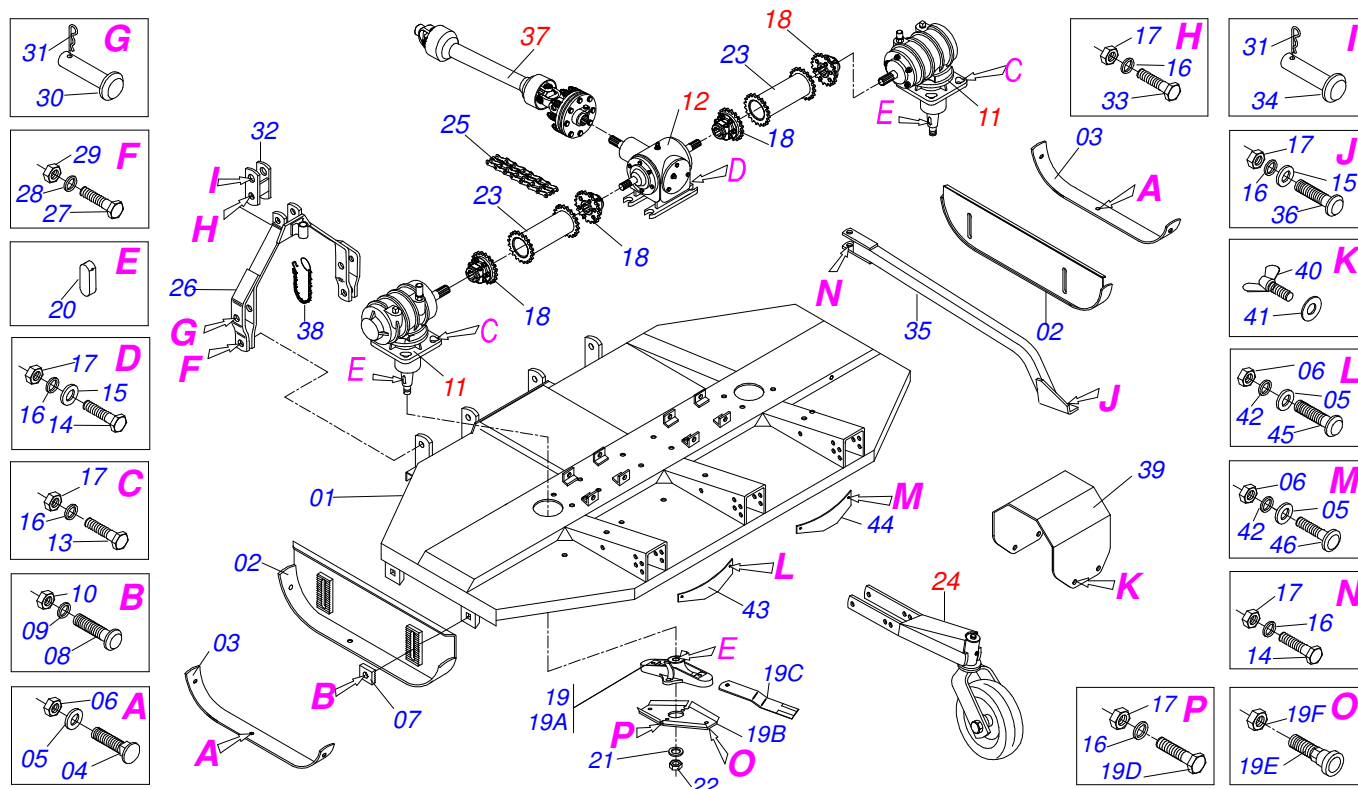
ABRIL/1998



MARCHESAN

INDEX

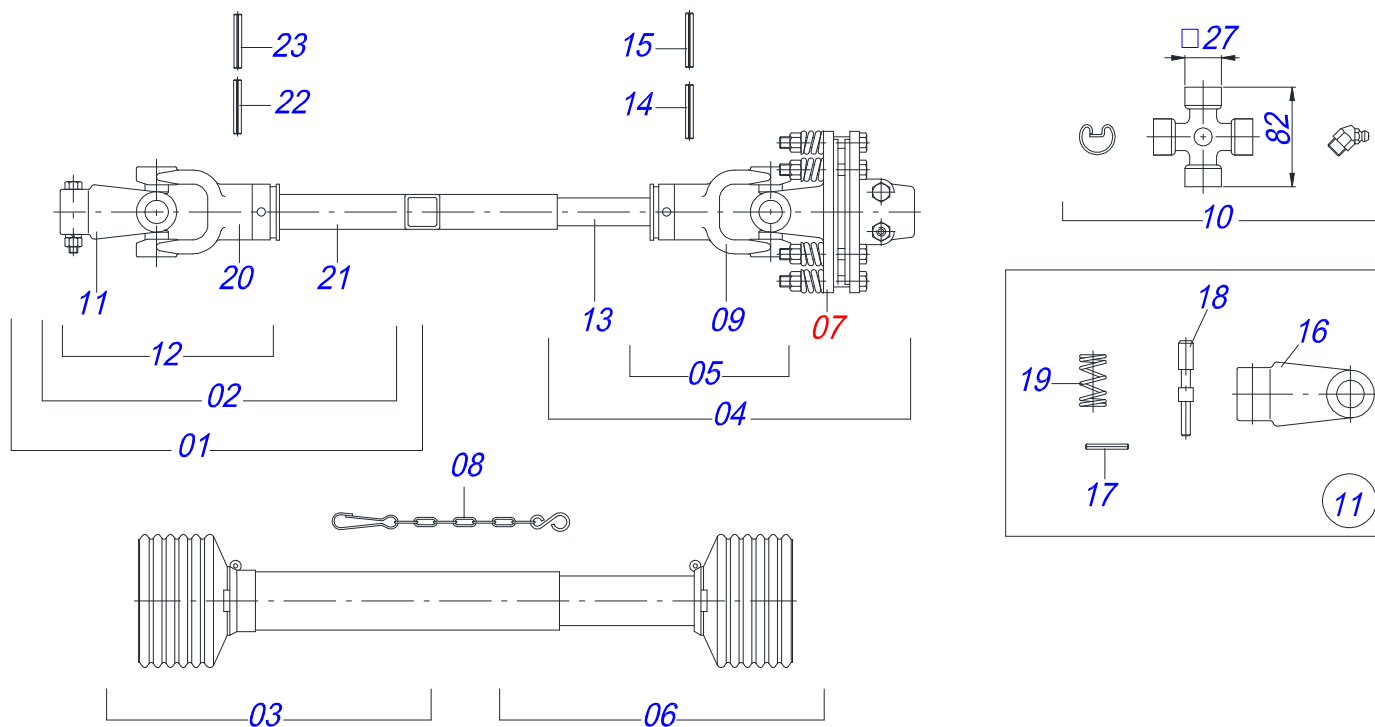
| | | | |
|------------|--|-------|---|
| 0909092960 | RC2 3100 C/R CL CM S-0205 | | 1 |
| 0511043450 | DRIVE SHAFT | | 2 |
| 0909090711 | CARDAN 60 X 600 T1/T6 C/P 0501047952 (STU) | | 3 |
| 0501056010 | FRICION CLUTCH | | 4 |
| 0511042158 | RH MULTIPLIER | | 5 |
| 0511041608 | DOUBLE DISTRIBUTOR | | 6 |
| 0501043642 | RUBBER WHEEL ASSY | | 7 |
| 0909091430 | (SHEET METAL SUPPORT)SPARE | | 8 |



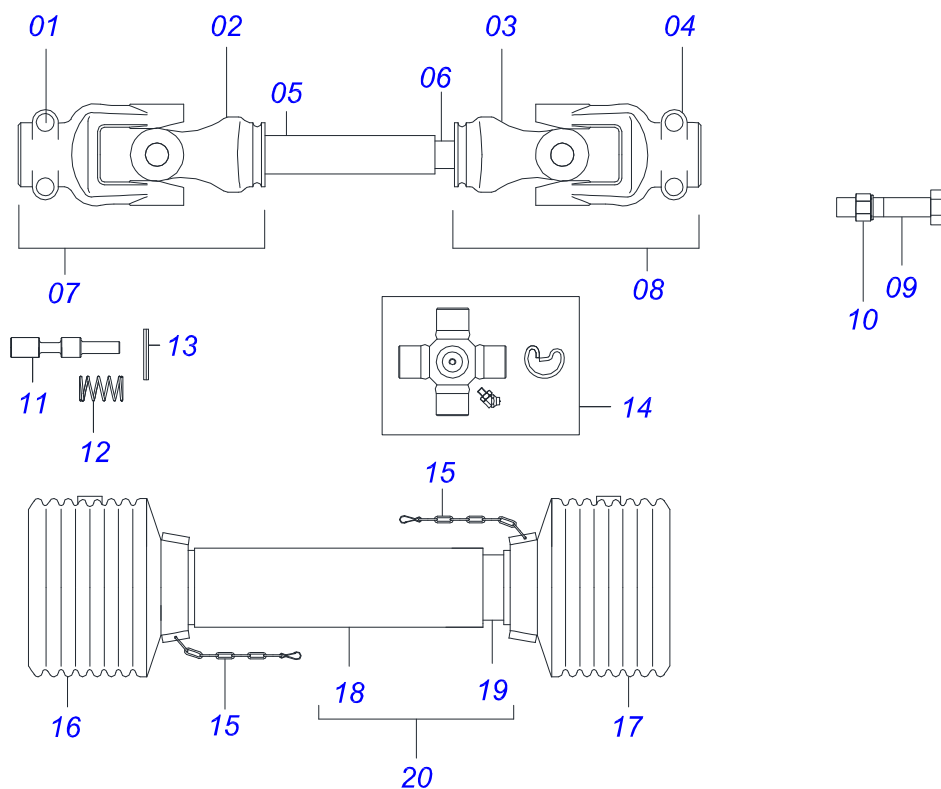
| Item | Code | Description | See page | QT |
|------|------------|------------------------------------|----------|----|
| 01 | 0511066373 | FRAME RC2 3100 CL S-0205 | | 01 |
| 02 | 0511064760 | 930 SKID | | 02 |
| 03 | 0531019436 | SKID GUIDE | | 02 |
| 04 | 0503012956 | 1/2" X 1-1/2" BOLT | | 06 |
| 05 | 0511017302 | FLAT WASHER | | 09 |
| 06 | 0503010020 | 1/2"NUT | | 09 |
| 07 | 0502010083 | SQUARE WASHER | | 04 |
| 08 | 0501014177 | 5/8" X 2-1/2" BOLT | | 04 |
| 09 | 0503010027 | 5/8" SPRING WASHER | | 04 |
| 10 | 0503010013 | 5/8" NUT | | 04 |
| 11 | 0511042158 | RH MULTIPLIER | 5 | 02 |
| 12 | 0511041608 | DOUBLE DISTRIBUTOR | 6 | 01 |
| 13 | 0503010797 | 3/4" X 4" BOLT | | 08 |
| 14 | 0501010216 | 3/4" X 4-1/2" BOLT | | 05 |
| 15 | 0501010322 | FLAT WASHER | | 05 |
| 16 | 0503010023 | 3/4" SPRING WASHER | | 19 |
| 17 | 0503010014 | 3/4" NUT | | 19 |
| 18 | 0511067340 | 1.3/4 TERMINAL | | 04 |
| 19 | 0501056455 | RH ROTARY SUPPORT 540 | | 02 |
| 19A | 0502012276 | ROTARY SUPPORT | | 02 |
| 19B | 0541014579 | SUPPORT FIXER KNIVES | | 02 |
| 19C | 0622400057 | 21.6" X 3.94" X 0.5" ROTARY CUTTER | | 04 |
| 19D | 0501010098 | 3/4" UNC BOLT | | 04 |
| 19E | 0541013328 | FASTERNER ROCADORES | | 04 |
| 19F | 0503010063 | 1" SELF-ALIGNING NUT | | 04 |
| 20 | 0501010536 | KEYWAY SQUARE | | 04 |
| 21 | 0501017779 | 32 X 60 X 4.75 FLAT WASHER | | 02 |
| 22 | 0503010817 | 1.1/4" SELF LOCKING NUT | | 02 |
| 23 | 0511066369 | COUPLING 274,5 (RC2 3100 CL) | | 02 |
| 24 | 0501043642 | RUBBER WHEEL ASSY | 7 | 02 |
| 25 | 0503013471 | 60-2 X 21 CHAIN LINK + MENDING | | 04 |



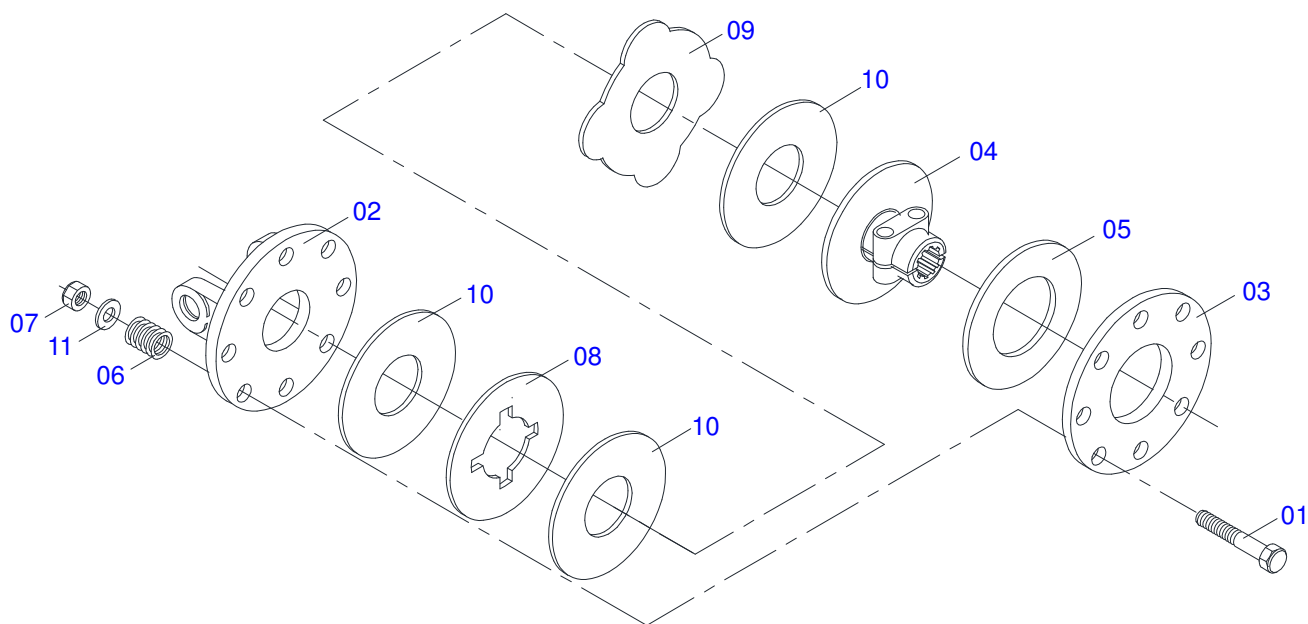
| Item | Code | Description | See page | QT |
|------|------------|--------------------------------|----------|----|
| 26 | 0501066446 | DRAWBAR | | 01 |
| 27 | 0501010171 | PARAFUSO 1 UNC X 3.1/2 C S G.5 | | 02 |
| 28 | 0503010012 | 1" SPRING WASHER | | 02 |
| 29 | 0501010059 | 1.5/8 NUT | | 02 |
| 30 | 0521010596 | COUPLING SHAFT | | 02 |
| 31 | 0503031035 | HAIR PIN | | 03 |
| 32 | 0501066445 | PIVOT DOUBLE BAR | | 01 |
| 33 | 0503011198 | C3/4" X 6" SCREW | | 01 |
| 34 | 0521010578 | COUPLING SHAFT | | 01 |
| 35 | 0501067540 | FRENCH HAND | | 01 |
| 36 | 0501017305 | 3/4" X 2-1/4" BOLT | | 01 |
| 37 | 0511043450 | DRIVE SHAFT | 2 | 01 |
| 38 | 0503011981 | 17.7" CHAIN WITH HOOK/LINK | | 01 |
| 39 | 0541015842 | PROTECTION COVER | | 02 |
| 40 | 0503012904 | 3/8" BUTTERFLY BOLT | | 08 |
| 41 | 0501010984 | FLAT WASHER | | 08 |
| 42 | 0503010019 | 1/2" SPRING WASHER | | 03 |
| 43 | 0511019203 | 37.6" RIGHT PROTECTION | | 01 |
| 44 | 0511019202 | 37.6" LEFT PROTECTION | | 01 |
| 45 | 0501011600 | 1/2" X 1-1/4" BOLT | | 02 |
| 46 | 0501010243 | 1/2" X 1-1/2" BOLT | | 01 |



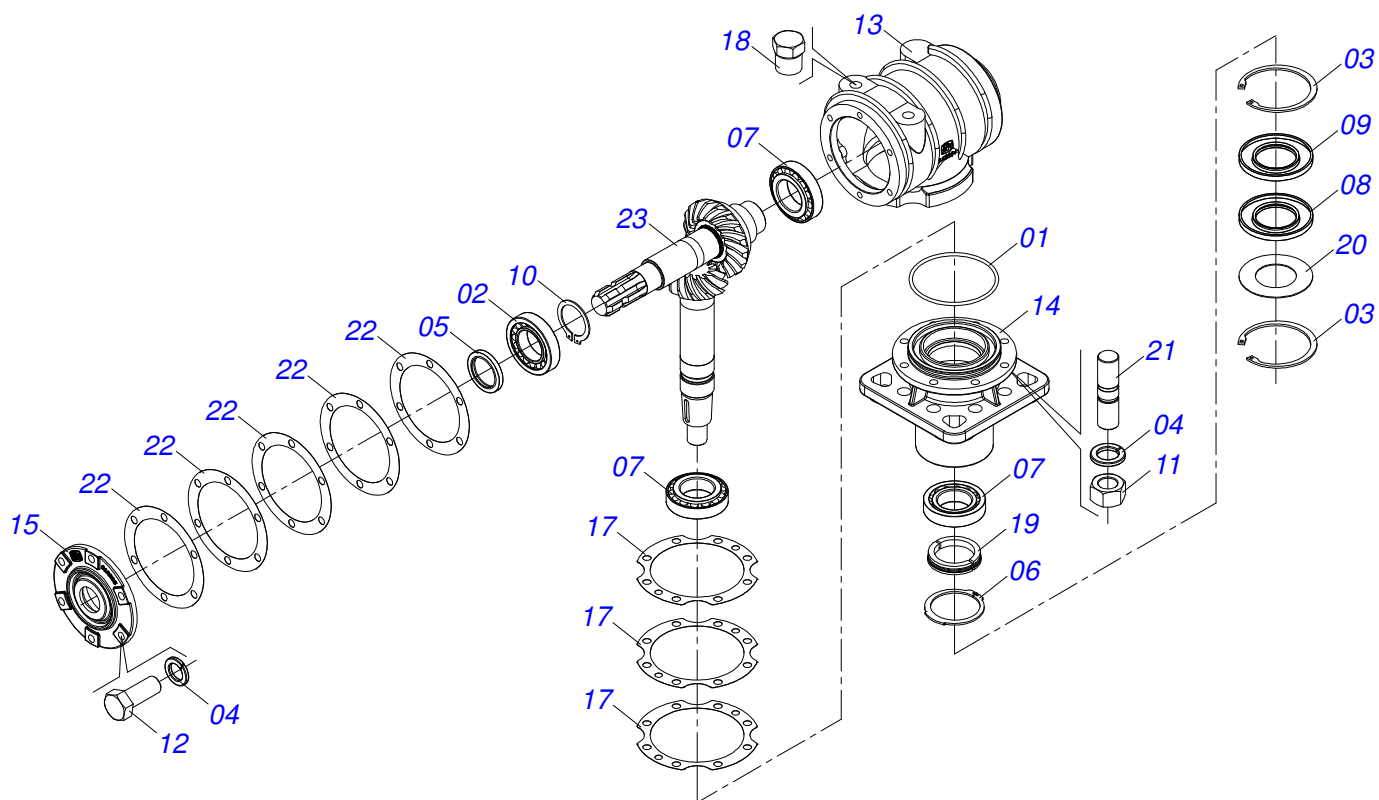
| Item | Code | Description | See page | QT |
|------|------------|--------------------------------------|----------|----|
| 01 | 0501056228 | PROT/SLEEVE UNIVERSAL JOINT | | 01 |
| 02 | 0501056227 | UNIVERSAL JOINT WITH SLEEVE | | 01 |
| 03 | 0503013619 | PROTECTION FOR UNIV JOINT AND SLEEVE | | 01 |
| 04 | 0501056229 | UNIVERSAL JOINT WITH AXLE/PROT | | 01 |
| 05 | 0501056226 | UNIVERSAL JOINT WITH SHAFT | | 01 |
| 06 | 0503013620 | PROTECTION FOR UNIV JOINT AND AXLE | | 01 |
| 07 | 0501056010 | FRICITION CLUTCH | 4 | 01 |
| 08 | 0503012023 | CHAIN FOR PROTECTION | | 02 |
| 09 | 0502010571 | 3-60 TERMINAL W/ SH 1.43"/1.43" | | 02 |
| 10 | 0503010837 | CARDAN CROSSPIECE | | 01 |
| 11 | 0501056223 | TERM 1-60 C/CANAL CC50 | | 01 |
| 12 | 0501056225 | UNIVERSAL JOINT | | 01 |
| 13 | 0541016743 | 36,51 X 800 SQUARE SHAFT | | 01 |
| 14 | 0503011069 | 0.4" X 2.8" SPRING PIN | | 01 |
| 15 | 0503011805 | 0.2" X 2.8" SPRING PIN | | 01 |
| 16 | 0502011421 | 1-60 TERMINAL | | 01 |
| 17 | 0503010838 | 0.1" X 0.8" SPRING PIN | | 01 |
| 18 | 0521010638 | 0.5" X 3.3" QUIC HITCH COUPL SHAFT | | 01 |
| 19 | 0503030518 | 0.5"X1.0"X 0.1" COMPRESSION SPRING | | 01 |
| 20 | 0502010570 | 2-60 TERMINAL W/ SH 1.8"/1.8" | | 01 |
| 21 | 0541016742 | 45,3 X Q37,2 SQUARE SLEEVE | | 01 |
| 22 | 0503010843 | 0.4" X 3.3" SPRING PIN | | 01 |
| 23 | 0503011878 | 0.2" X 3.3" SPRING PIN | | 01 |



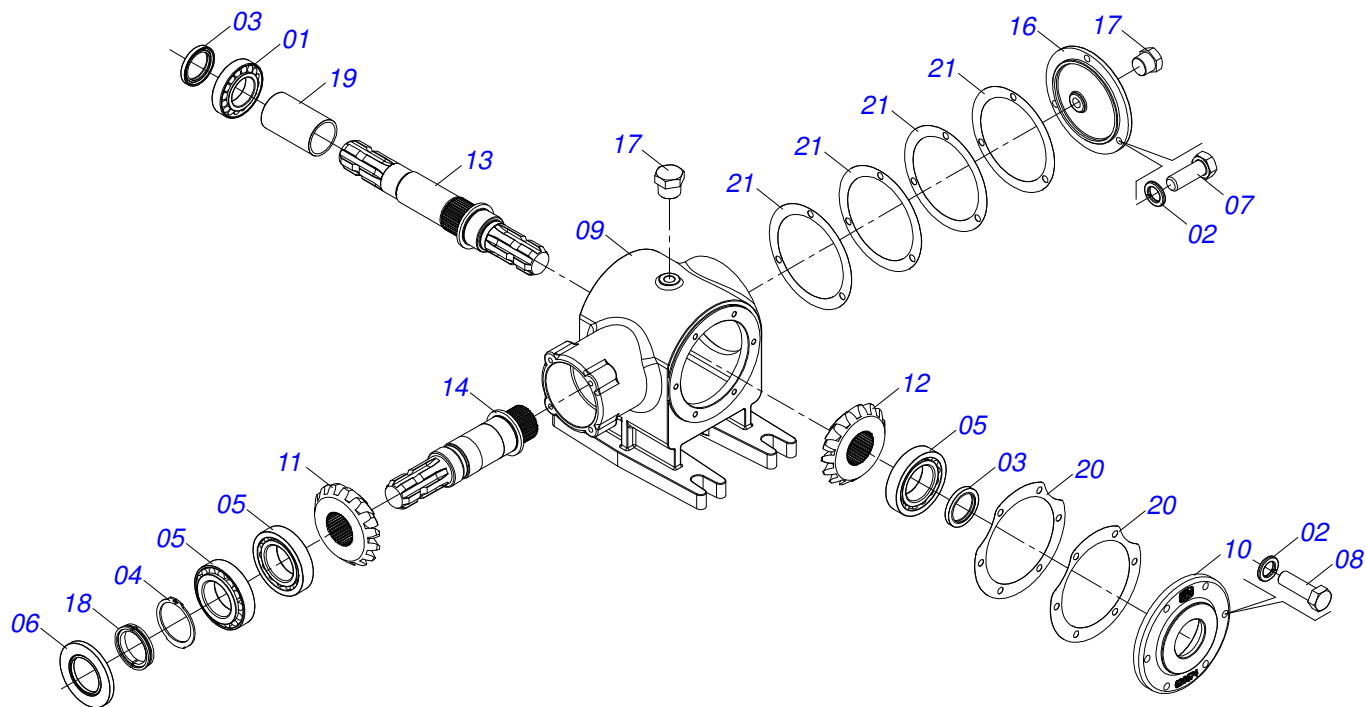
| Item | Code | Description | See page | QT |
|------|------------|--------------------------------|----------|----|
| 01 | 0503017671 | TERMINAL CRAR-353/TR 155000014 | | 01 |
| 02 | 0503017672 | TERMINAL | | 01 |
| 03 | 0503017673 | TERMINAL | | 01 |
| 04 | 0503017674 | TERMINAL | | 01 |
| 05 | 0503017669 | TUBE 600 X 45 | | 01 |
| 06 | 0503017670 | BAR 600 X 37 | | 01 |
| 07 | 0503062347 | UNIVERSAL JOINT | | 01 |
| 08 | 0503062348 | UNIVERSAL JOINT | | 01 |
| 09 | 0503017645 | HEXAGON BOLT | | 01 |
| 10 | 0503017646 | NUT | | 01 |
| 11 | 0503017626 | COUPLING SHAFT | | 01 |
| 12 | 0503017627 | HITCH SPRING | | 01 |
| 13 | 0503017628 | COTTERPIN | | 01 |
| 14 | 0503017667 | CROSS & BEARING | | 02 |
| 15 | 0503012023 | CHAIN FOR PROTECTION | | 01 |
| 16 | 0503017663 | SANFONA | | 01 |
| 17 | 0503017664 | SANFONA | | 01 |
| 18 | 0503017665 | TUBE | | 01 |
| 19 | 0503017666 | TUBE | | 01 |
| 20 | 0503062343 | ASSY PROTECTION | | 01 |



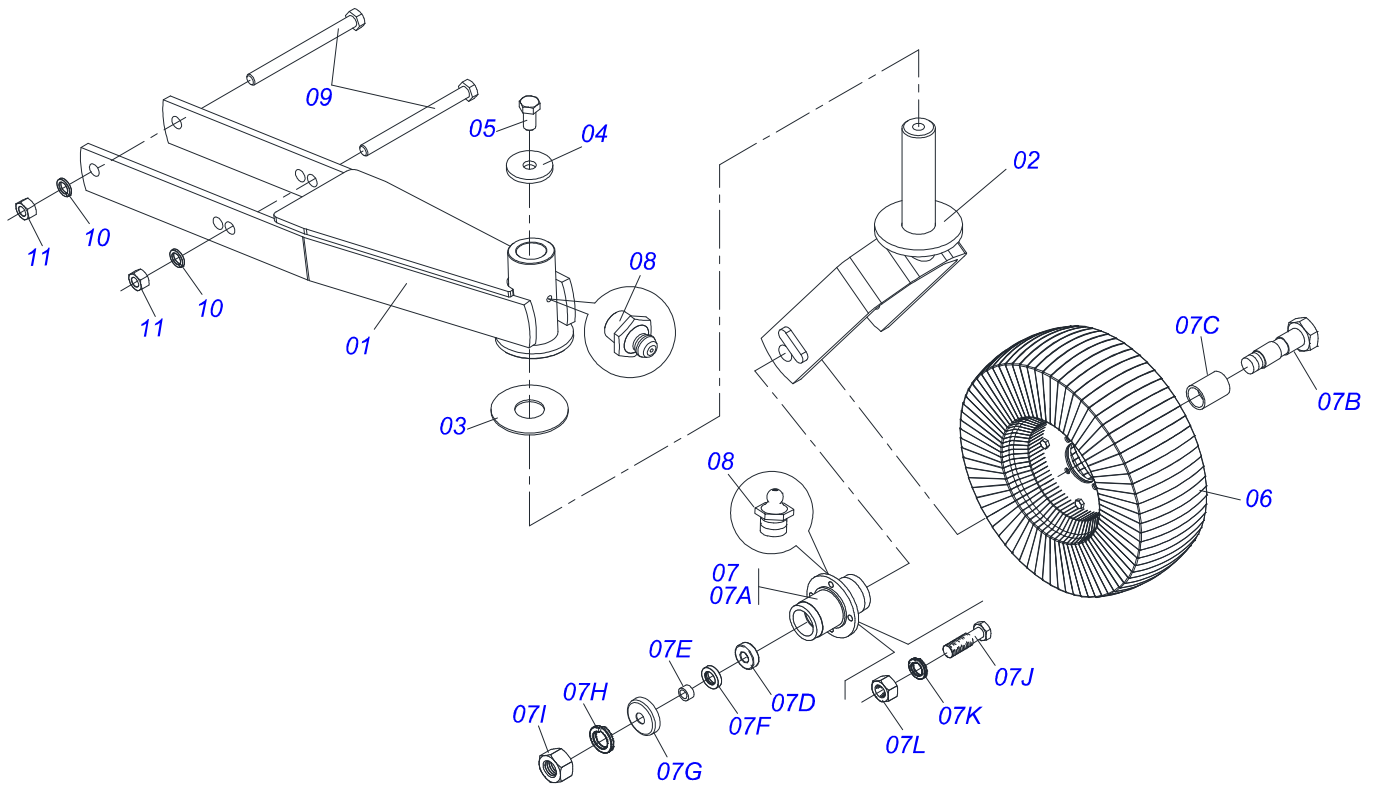
| Item | Code | Description | See page | QT |
|------|------------|-------------------|----------|----|
| 01 | 0503013564 | FRICION BOLT | | 08 |
| 02 | 0503013554 | FLANGE | | 01 |
| 03 | 0503013557 | COUPLING DISC | | 01 |
| 04 | 0503013556 | CENTRAL CORE | | 01 |
| 05 | 0503013555 | FRICION DISC | | 01 |
| 06 | 0503013558 | FRICION SPRING | | 08 |
| 07 | 0503013559 | FRICION NUT | | 08 |
| 08 | 0503013561 | NOTCHED DISC | | 01 |
| 09 | 0503013560 | INTERMEDIATE DISC | | 01 |
| 10 | 0503013562 | FRICION DISC | | 03 |
| 11 | 0503013563 | FRICION WASHER | | 08 |



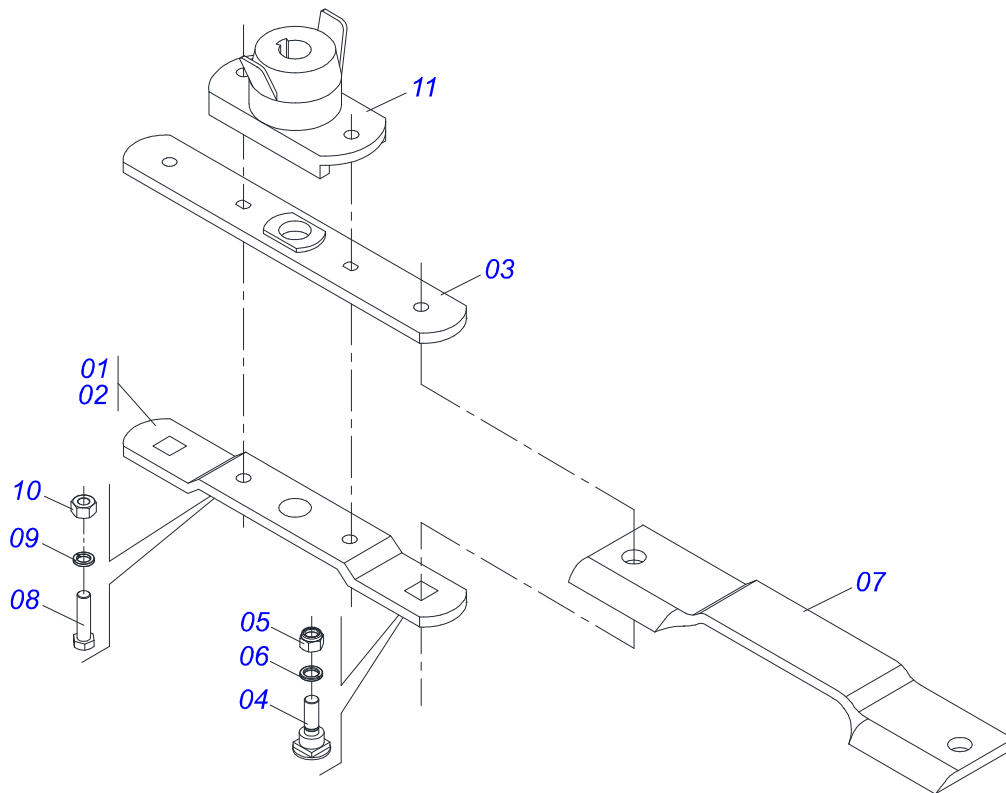
| Item | Code | Description | See page | QT |
|------|------------|-------------------------------------|----------|---------|
| 01 | 0503010286 | 2-355 N 3006-9B O'RING | | 01 |
| 02 | 0503010750 | 30209 BALL BEARING | | 01 |
| 03 | 0503011420 | 502100 CLAMPING RING (FOR AXLE) | | 02 |
| 04 | 0503011440 | SPRING WASHER | | 14 |
| 05 | 0503012103 | 5301 -BSEAL | | 01 |
| 06 | 0503012311 | 501065 RENO RING | | 01 |
| 07 | 0503012418 | 32211 ROLLER BEARING | | 03 |
| 08 | 0503013201 | ARCA 6016 BRG SEAL | | 01 |
| 09 | 0503013211 | 6016 BRG SEAL | | 01 |
| 10 | 0503014772 | 501056 CLAMPING RING (FOR AXLE) | | 01 |
| 11 | 0503810028 | NUT 1/2 NF SA | | 08 |
| 12 | 0503810395 | SCREW 1/2 UNC X 1.1/4 CSRT G.5 SA | | 06 |
| 13 | 0502012204 | SPEED MULTIPLIER BOX | | 01 |
| 14 | 0502012206 | LOWER HUB | | 01 |
| 15 | 0502012203 | RH COVER MULTIPLIER | | 01 |
| 16 | 3402301247 | MINERAL OIL GREASE | | 2,85Lts |
| 17 | 0503030785 | 7.9" X 5.9" X 0.008" JOINT | | 03 |
| 18 | 0503031604 | 1/2" BSP PLUG | | 02 |
| 19 | 0531019302 | LOCK RING | | 01 |
| 20 | 0531818823 | FLAT WASHER 55.20 X99,80 X1,50 SA | | 01 |
| 21 | 0503830084 | PRISONER 1/2 UNC X 1/2 UNF X 50 SA | | 08 |
| 22 | 0503030783 | 7.1" X 5.3" X 0.008" JOINT | | 05 |
| 23 | 0503061696 | CROWN PINION SET 12Z 12Z AXLE RIGHT | | 01 |



| Item | Code | Description | See page | QT |
|------|------------|---------------------------------|----------|--------|
| 01 | 0503010750 | 30209 BALL BEARING | | 01 |
| 02 | 0503011443 | 3/8" SPRING WASHER | | 09 |
| 03 | 0503012103 | 5301 -BSEAL | | 02 |
| 04 | 0503012311 | 501065 RENO RING | | 01 |
| 05 | 0503012418 | 32211 ROLLER BEARING | | 03 |
| 06 | 0503013201 | ARCA 6016 BRG SEAL | | 01 |
| 07 | 0503810237 | 3/8 UNC X 1 C S G.5 SA BOLT | | 03 |
| 08 | 0503810751 | 3/8 UNC X 1.1/4 C S G.5 - SCREW | | 06 |
| 09 | 0502012178 | DOUBLE DISTRIBUTOR BOX | | 01 |
| 10 | 0502020674 | DISTRIBUTOR DOUBLE COVER | | 01 |
| 11 | 0503033139 | RIGHT 15Z CONICAL GEAR | | 01 |
| 12 | 0503033140 | 15Z LEFT CONICAL GEAR | | 01 |
| 13 | 0503033141 | LARGER AXLE | | 01 |
| 14 | 0503033142 | SMALLER AXLE S-0503 EG-1935 | | 01 |
| 15 | 3402301247 | MINERAL OIL GREASE | | 2,0Lts |
| 16 | 0502020160 | COVER WITH DOUBLE DISTRIBUTOR | | 01 |
| 17 | 0503010856 | OIL PLUG | | 02 |
| 18 | 0531019302 | LOCK RING | | 01 |
| 19 | 0551018078 | SLEEVE FLANGE BALL BEARING | | 01 |
| 20 | 0503030228 | 7.1" X 5.3" X 0.008" JOINT | | 02 |
| 21 | 0503030341 | 6.4" X 0.008" JOINT | | 04 |



| Item | Code | Description | See page | QT |
|------|------------|---------------------------|----------|----|
| 01 | 0501069375 | WHEEL SUPPORT | | 01 |
| 02 | 0501065266 | WHELL FORK | | 01 |
| 03 | 0511013239 | FLAT WASHER | | 01 |
| 04 | 0511010721 | FLAT WASHER | | 01 |
| 05 | 0503010962 | 5/8" X 1-1/4" BOLT | | 01 |
| 06 | 0501050433 | TIRE WHELL | | 01 |
| 07 | 0501051587 | WHEELS BOX ASSY | | 01 |
| 07A | 0502011286 | WHEELS BOX ASSY | | 01 |
| 07B | 0501017143 | WHEEL AXLE | | 01 |
| 07C | 0521010460 | 0.9" X 1.1" X 2.9" SLEEVE | | 01 |
| 07D | 0503010269 | 6204 BALL BEARING | | 02 |
| 07E | 0521010487 | SPACER WASHER | | 02 |
| 07F | 0503010268 | 00262-B SEAL | | 02 |
| 07G | 0511014254 | DUST CLOAK | | 01 |
| 07H | 0503010023 | 3/4" SPRING WASHER | | 01 |
| 07I | 0503010014 | 3/4" NUT | | 04 |
| 07J | 0501010080 | 3/8" BOLT | | 04 |
| 07K | 0503010025 | 3/8" SPRING WASHER | | 04 |
| 07L | 0503010026 | 3/8" NUT | | 02 |
| 08 | 0503010002 | 1800 GREASE FITTING | | 01 |
| 09 | 0503010795 | 5/8" X 7" BOLT | | 02 |
| 10 | 0503010027 | 5/8" SPRING WASHER | | 02 |
| 11 | 0503010013 | 5/8" NUT | | 02 |



| Item | Code | Description | See page | QT |
|------|------------|------------------------------------|----------|----|
| 01 | 0501056326 | SUPPORT WITH ROTARY CUTTER BLADES | | 01 |
| 02 | 0561017368 | ROTARY LOWER SUPPORT | | 01 |
| 03 | 0561017308 | SUPPORT UPPER BASE | | 01 |
| 04 | 0511019000 | BOLT | | 02 |
| 05 | 0503010812 | 7/8" UNF SELF LOCKING NUT | | 02 |
| 06 | 0503011447 | SPRING WASHER | | 02 |
| 07 | 0622400057 | 21.6" X 3.94" X 0.5" ROTARY CUTTER | | 02 |
| 08 | 0503010901 | 3/4UNC 3.1/2 BOLT | | 02 |
| 09 | 0503010023 | 3/4" SPRING WASHER | | 02 |
| 10 | 0503010014 | 3/4" NUT | | 02 |
| 11 | 0502012453 | SUPPORT FLANGE | | 01 |



www.marchesan.com.br



Technical Publications | Elaboration and Revision
ALESSANDRA PATRICIA KAWAHARA CARRILI