

PARTS CATALOG

ROTARY CUTTERS

RC2 3100 CUTRALE

Code: 0501091328



Series: S-0708

Rev.: 00

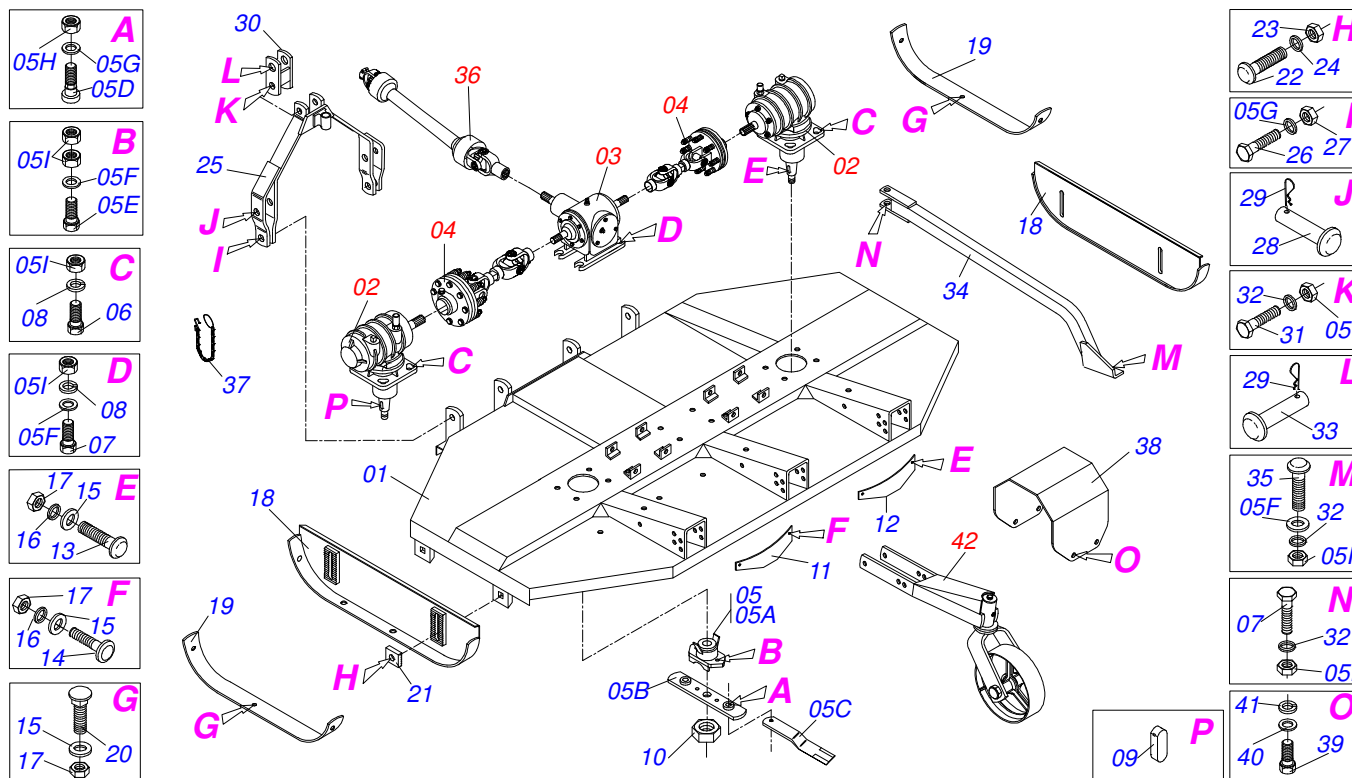
Date Rev.: JULHO/2008

**ORIGINAL PARTS
TATU**



INDEX

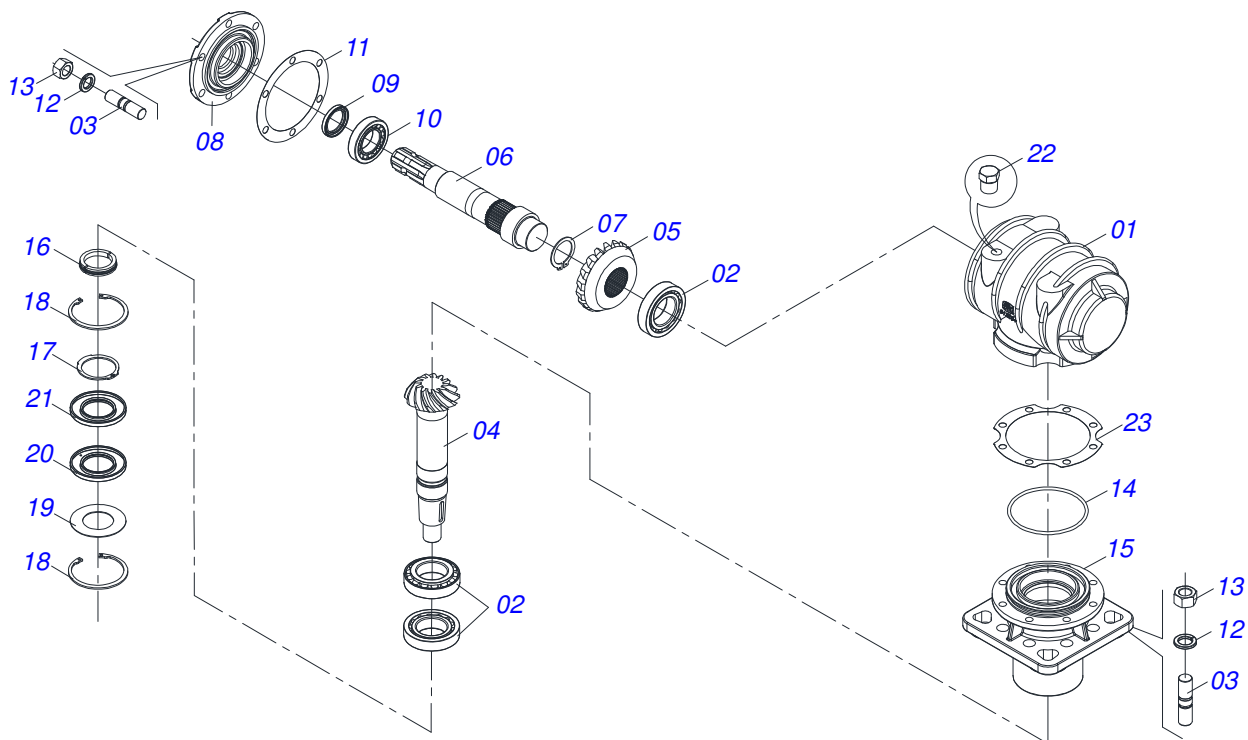
0909094549	FRAME RC2 3100	1
0511042158	RH MULTIPLIER	2
0511041608	DOUBLE DISTRIBUTOR	3
0511046328	DRIVE SHAFT	4
0511043450	DRIVE SHAFT	5
0909090711	CARDAN 60 X 600 T1/T6 C/P 0501047952 (STU)	6
0501056010	FRICTION CLUTCH	7
0511047301	CARRYING WHEELS ASSY	8



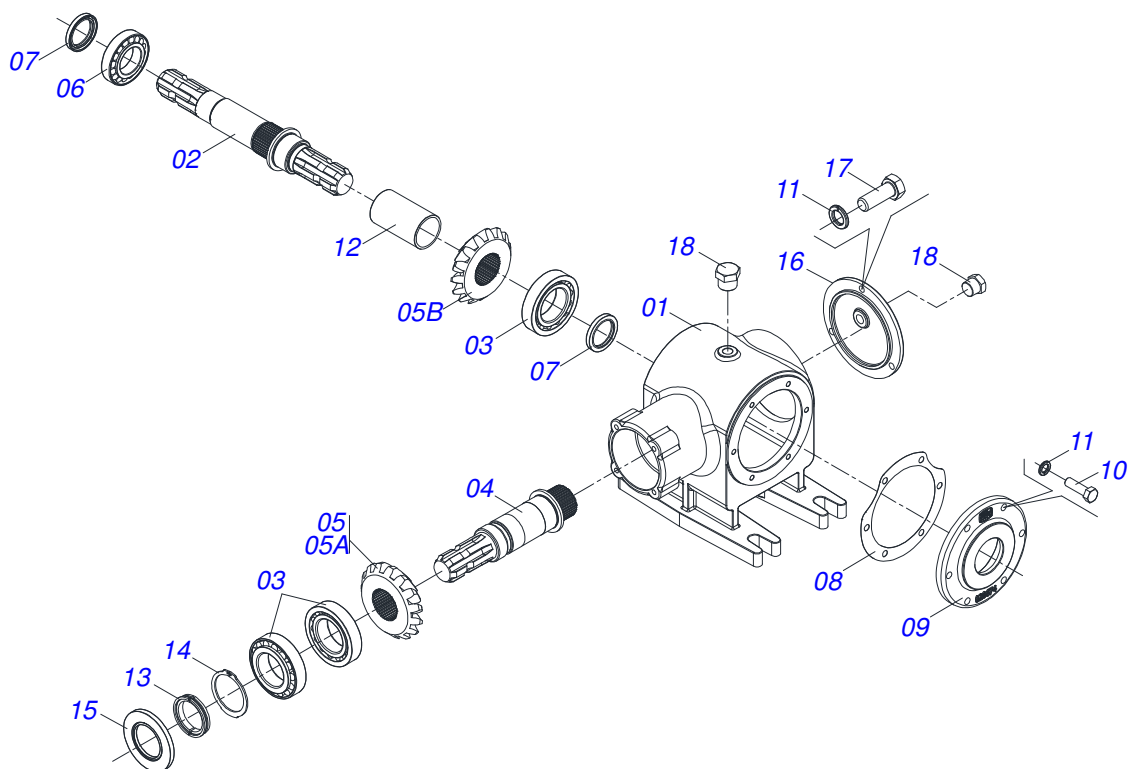
Item	Code	Description	QT
01	0521061816	FRAME	01
02	0511042158	RH MULTIPLIER	02
03	0511041608	DOUBLE DISTRIBUTOR	01
04	0511046328	DRIVE SHAFT	02
05	0501058776	RH SUPPORT ASSY	02
05A	0502012453	SUPPORT FLANGE	02
05B	0511069195	ROTARY CUTTER FIXER	02
05C	0622340052	24.5" X 3.94" X 0.5" ROTARY CUTTER	04
05D	0541013328	FASTENER ROCADORES	04
05E	0503010901	3/4UNC 3.1/2 BOLT	04
05F	0501010322	FLAT WASHER	09
05G	0503010012	1" SPRING WASHER	06
05H	0503010063	1" SELF-ALIGNING NUT	04
05I	0503010014	3/4" NUT	31
06	0503010797	3/4" X 4" BOLT	08
07	0501010216	3/4" X 4-1/2" BOLT	05
08	0503011442	3/4" SPRING WASHER	12
09	0501010536	KEYWAY SQUARE	04
10	0503010817	1-1/4" SELF-ADJUSTING NUT	02
11	0511019203	37.6" RIGHT PROTECTION	01
12	0511019202	37.6" LEFT PROTECTION	01
13	0501011600	1/2" X 1-1/4" BOLT	02
14	0501010243	1/2" X 1-1/2" BOLT	01
15	0511017302	FLAT WASHER	09
16	0503011440	SPRING WASHER	03
17	0503010020	1/2"NUT	09
18	0511064760	930 SKID	02
19	0531019436	SKID GUIDE	02
20	0503012956	1/2" X 1-1/2" BOLT	06
21	0502010083	SQUARE WASHER	04
22	0501014177	5/8" X 2-1/2" BOLT	04
23	0503010027	SPRING WASHER	04
24	0503010013	5/8" NUT	04



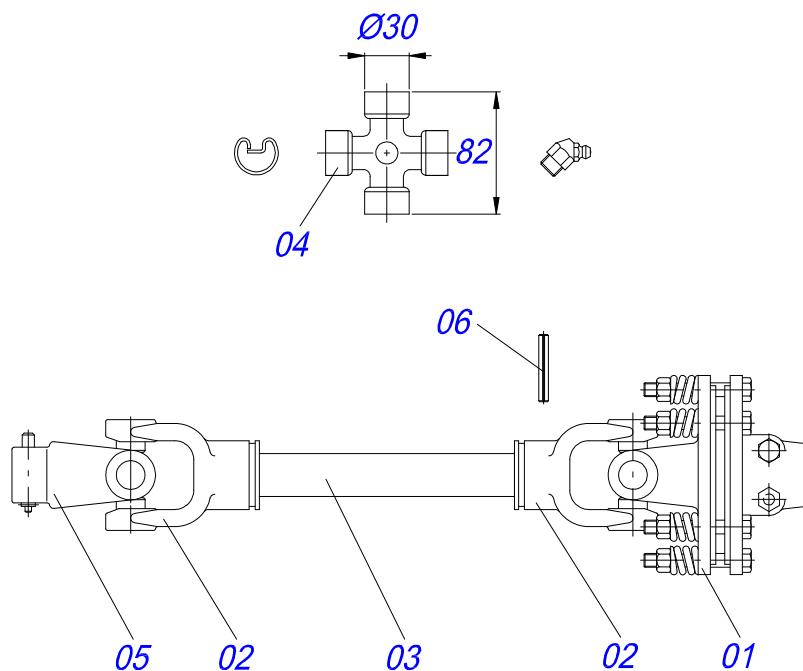
Item	Code	Description	QT
25	0501066446	DRAWBAR	01
26	0501010171	PARAFUSO 1 UNC X 3.1/2 C S G.5	02
27	0501010059	1.5/8 NUT	02
28	0521010596	COUPLING SHAFT	02
29	0503031035	HAIR PIN	03
30	0501066445	PIVOT DOUBLE BAR	01
31	0503011198	C3/4" X 6" BOLT	01
32	0503010023	SPRING WASHER	03
33	0521010578	COUPLING SHAFT	01
34	0501067540	ATTACHMENT BAR	01
35	0501017305	3/4" X 2-1/4" BOLT	01
36	0511043450	DRIVE SHAFT	01
37	0503011981	17.7" CHAIN WITH HOOK/LINK	01
38	0541015842	PROTECTION COVER	02
39	0503010256	3/8" X 3/4" BOLT	08
40	0501010984	FLAT WASHER	08
41	0503010025	3/8 SPRING WASHER	08
42	0511047301	CARRYING WHEELS ASSY	02



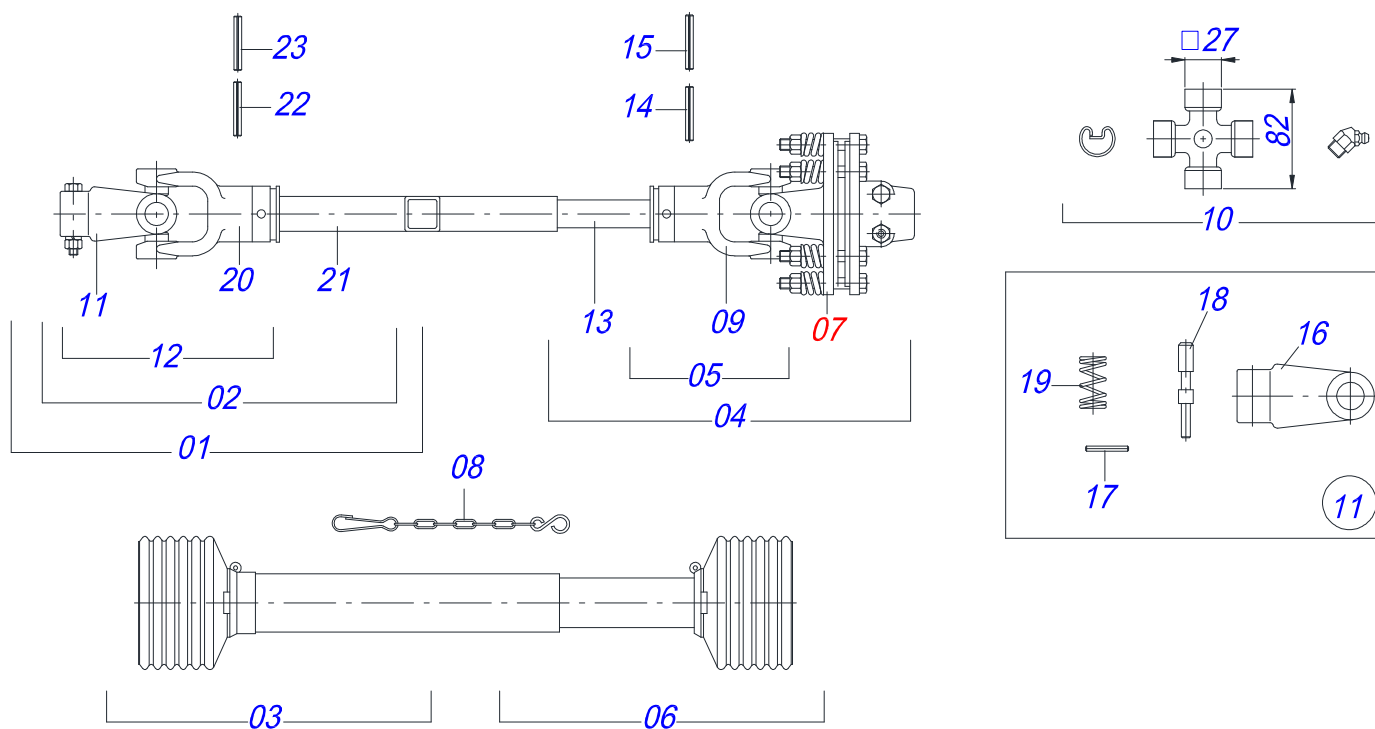
Item	Code	Description	
01	0502012204	SPEED MULTIPLIER BOX	01
02	0503012418	32211 ROLLER BEARING	03
03	0503030084	1/2" X 1/2" X 2.0" STUD	14
04	0503031917	12Z LOWER CONICAL GEAR	01
05	0503031918	18Z CONICAL GEAR	01
06	0503031916	UPPER AXLE	01
07	0503014772	501056 CLAMPING RING (FOR AXLE)	01
08	0502012203	RH COVER MULTIPLIER	01
09	0503012103	5301 -BSEAL	01
10	0503010750	30209 BALL BEARING	01
11	0503030783	7.1" X 5.3" X 0.008" JOINT	06
12	0503011440	SPRING WASHER	06
13	0503010028	1/2" NUT	06
14	0503010286	2-355 N 3006-9B O-RING	01
15	0502012206	LOWER HUB	01
16	0531019302	LOCK RING	01
17	0503012311	501065 RENO RING	01
18	0503011420	502100 CLAMPING RING (FOR AXLE)	02
19	0531018823	FLAT WASHER	01
20	0503013211	6016 BRG SEAL	01
21	0503013201	ARCA 6016 BRG SEAL	01
22	0503031604	1/2" BSP PLUG	01
23	0503030785	7.9" X 5.9" X 0.008" JOINT	03



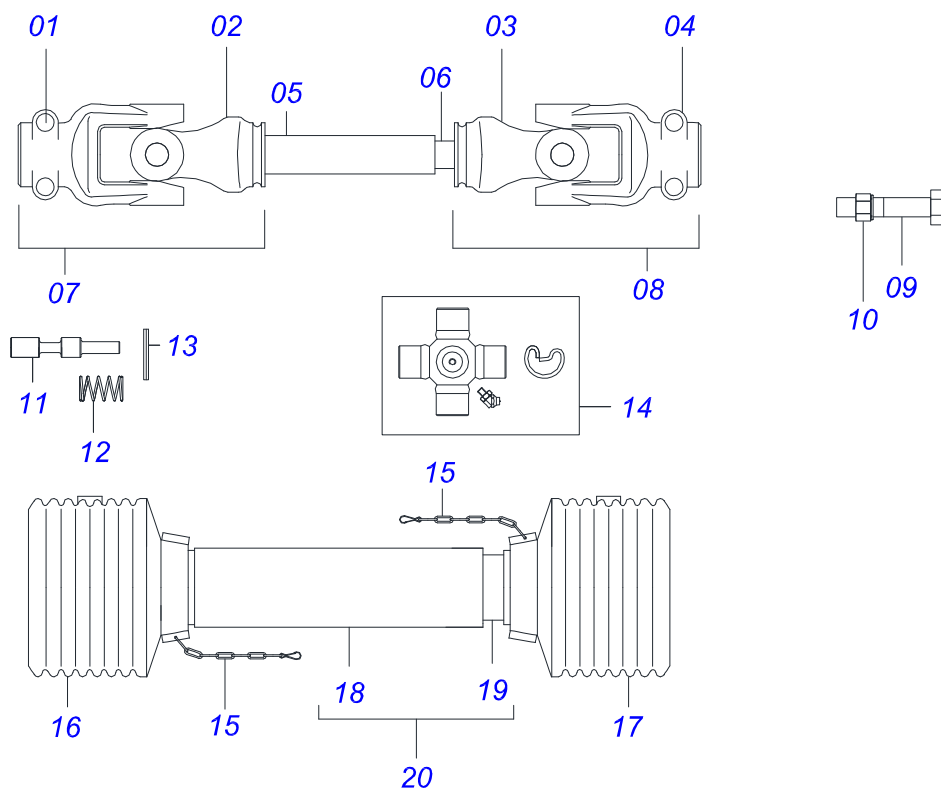
Item	Code	Description	
01	0502012178	DOUBLE DISTRIBUTOR BOX	01
02	0503033141	LARGER AXLE	01
03	0503012418	32211 ROLLER BEARING	03
04	0503033142	SMALLER AXLE S-0503 EG-1935	01
05	0503060607	GEAR ASSY FOR DOUBLE DISTRIBUTOR	01
05A	0503033139	RIGHT 15Z CONICAL GEAR	01
05B	0503033140	15Z LEFT CONICAL GEAR	01
06	0503010750	30209 BALL BEARING	01
07	0503012103	5301 -BSEAL	02
08	0503030228	7.1" X 5.3" X 0.008" JOINT	01
09	0502020674	DISTRIBUTOR DOUBLE COVER	01
10	0503010751	C3/8" X 1.1/4" HEX BOLT G.5	06
11	0503011443	SPRING WASHER	09
12	0551018078	SLEEVE FLANGE BALL BEARING	01
13	0531019302	LOCK RING	01
14	0503012311	501065 RENO RING	01
15	0503013201	ARCA 6016 BRG SEAL	01
16	0502020160	COVER WITH DOUBLE DISTRIBUTOR	01
17	0503010237	3/8" X 1" BOLT	03
18	0503010856	OIL PLUG	02



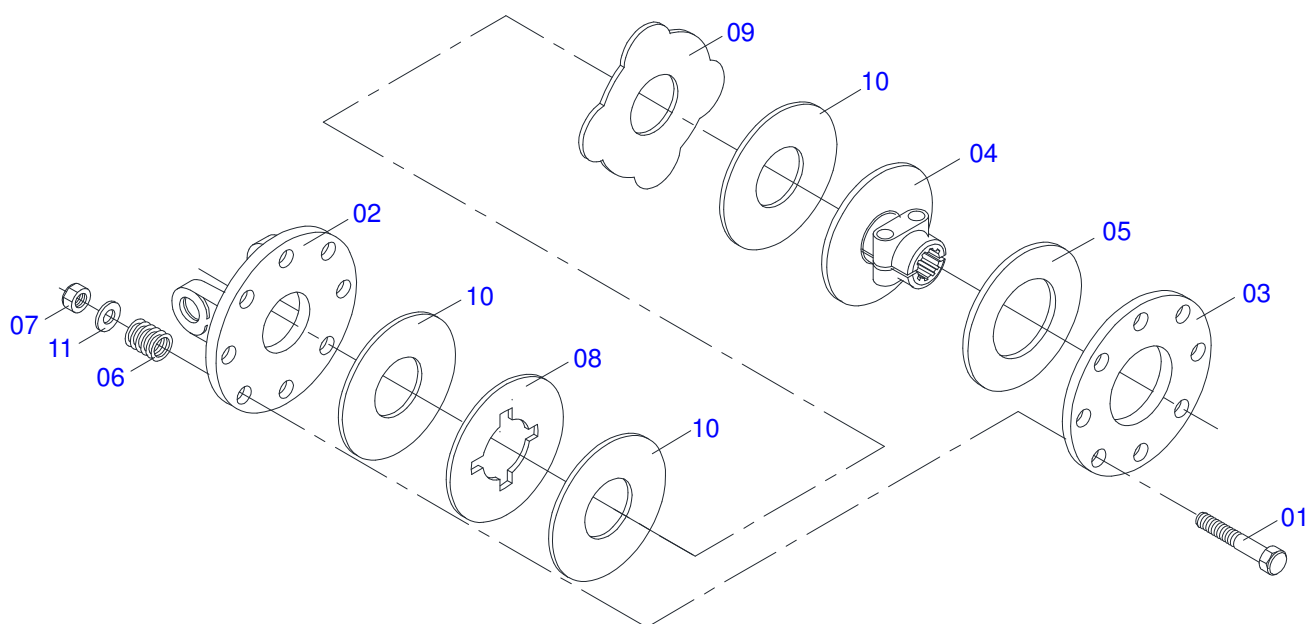
Item	Code	Description	
01	0503015156	FRICION ASSY	01
02	0503015160	STRIATED TERMINAL	02
03	0503015158	STRIATED AXLE	01
04	0503015157	CROSSPIECE	02
05	0503015155	STRIATED TERMINAL	01
06	0503015159	10 X 65 SPRING PIN	01



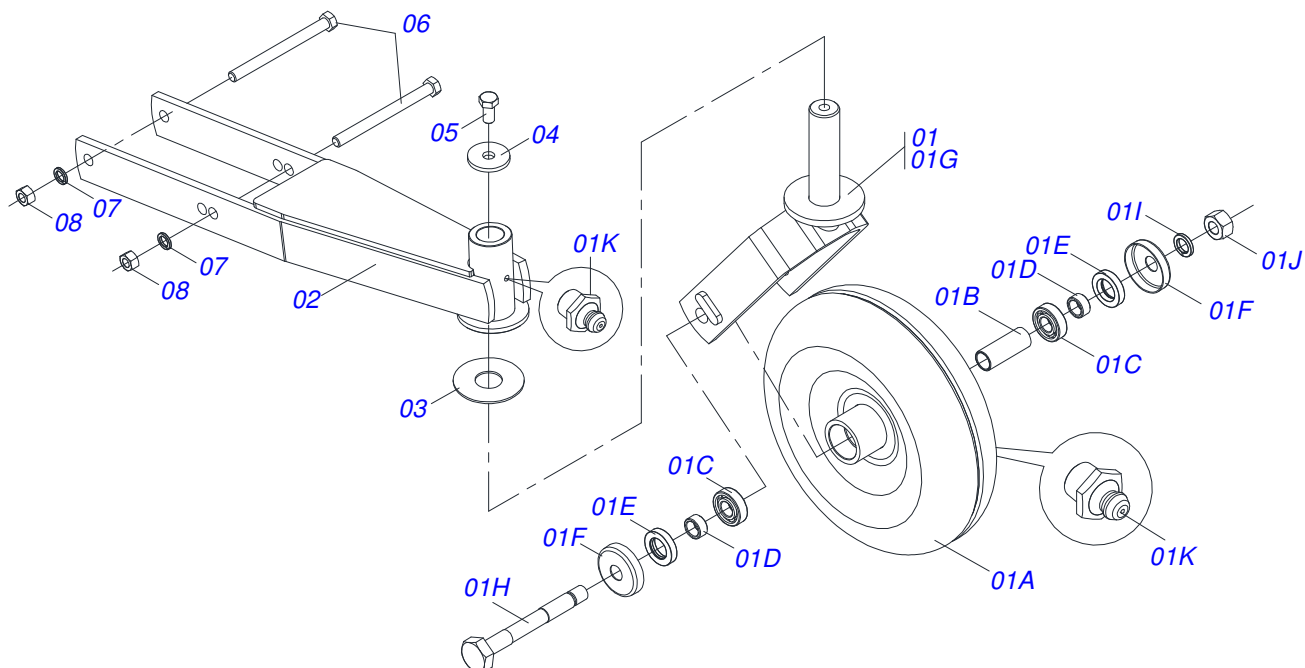
Item	Code	Description	
01	0501056228	PROT/SLEEVE UNIVERSAL JOINT	01
02	0501056227	UNIVERSAL JOINT WITH SLEEVE	01
03	0503013619	PROTECTION FOR UNIV JOINT AND SLEEVE	01
04	0501056229	UNIVERSAL JOINT WITH AXLE/PROT	01
05	0501056226	UNIVERSAL JOINT WITH SHAFT	01
06	0503013620	PROTECTION FOR UNIV JOINT AND AXLE	01
07	0501056010	FRICTION CLUTCH	01
08	0503012023	CHAIN FOR UNIV JOINT PROTECTION	02
09	0502010571	3-60 TERMINAL W/ SH 1.43"/1.43"	02
10	0503010837	CARDAN CROSSPIECE	01
11	0501056223	TERM 1-60 C/CANAL CC50	01
12	0501056225	UNIVERSAL JOINT	01
13	0541016743	36,51 X 800 SQUARE SHAFT	01
14	0503011069	0.4" X 2.8" SPRING PIN	01
15	0503011805	0.2" X 2.8" SPRING PIN	01
16	0502011421	1-60 TERMINAL	01
17	0503010838	0.1" X 0.8" SPRING PIN	01
18	0521010638	0.5" X 3.3" QUIC HITCH COUPL SHAFT	01
19	0503030518	0.5"X1.0"X 0.1" COMPRESSION SPRING	01
20	0502010570	2-60 TERMINAL W/ SH 1.8"/1.8"	01
21	0541016742	45,3 X Q37,2 SQUARE SLEEVE	01
22	0503010843	0.4" X 3.3" SPRING PIN	01
23	0503011878	0.2" X 3.3" SPRING PIN	01



Item	Code	Description	QT
01	0503017671		01
02	0503017672	TERMINAL	01
03	0503017673	TERMINAL	01
04	0503017674	TERMINAL	01
05	0503017669		01
06	0503017670		01
07	0503062347	UNIVERSAL JOINT	01
08	0503062348	UNIVERSAL JOINT	01
09	0503017645	HEXAGON BOLT	01
10	0503017646	NUT	01
11	0503017626	COUPLING SHAFT	01
12	0503017627	HITCH SPRING	01
13	0503017628	COTTERPIN	01
14	0503017667	CROSS & BEARING	02
15	0503013671		01
16	0503017663		01
17	0503017664		01
18	0503017665		01
19	0503017666		01
20	0503062343		01



Item	Code	Description	
01	0503013564	FRICTION BOLT	08
02	0503013554	FLANGE	01
03	0503013557	COUPLING DISC	01
04	0503013556	CENTRAL CORE	01
05	0503013555	FRICTION DISC	01
06	0503013558	FRICTION SPRING	08
07	0503013559	FRICTION NUT	08
08	0503013561	NOTCHED DISC	01
09	0503013560	INTERMEDIATE DISC	01
10	0503013562	FRICTION DISC	01
11	0503013563	FRICTION WASHER	08



Item	Code	Description	QT
01	0501058460	CARRYING WHEELS	01
01A	0501063309	13.8" X 4.33" WHEEL ASSY	01
01B	0521010460	0.9" X 1.1" X 2.9" SLEEVE	01
01C	0503010269	6204 BALL BEARING	02
01D	0521010487	SPACER WASHER	02
01E	0503010268	00262-B SEAL	02
01F	0511014254	DUST CLOAK	02
01G	0501065266	WHELL FORK	01
01H	0501017143	WHEEL AXLE	01
01I	0503011442	3/4" SPRING WASHER	01
01J	0503010014	3/4" NUT	01
01K	0503010002	1800 GREASE FITTING	02
02	0521065281	WHEEL SUPPORT	01
03	0511013239	FLAT WASHER	01
04	0511010721	FLAT WASHER	01
05	0503010962	5/8" X 1-1/4" BOLT	01
06	0503010795	5/8" X 7" BOLT	02
07	0503010027	SPRING WASHER	02
08	0503010013	5/8" NUT	02



MARCHESAN IMPLEMENTOS E MÁQUINAS AGRÍCOLAS TATU S.A.

AV. Marchesan, 1979 - Post office box, 131 - CEP 15994-900 - Matão - SP - Brazil

Phone +55 16.3382-8282

(FAX Parts) + 55 16.3382. 8297 - (Export) + 55 16.3382.1003

e.mail: tatu@marchesan.com.br www.marchesan.com.br

Technical Publications: Elaboration

LUIZ CANDIDO

Technical Publications: Revision

JOSÉ DOMINGOS GASPARI

Contact Catálogo:

E-mail = jgaspari@marchesan.com.br

**ORIGINAL PARTS
TATU**

