

ROTARY CUTTERS

RC2 2600 CL - 01 WHEEL

Code: 0501091325
Series: S-0205
Revision: 00
Date Revision: AGOSTO/2021

PARTS CATALOGUE



MARCHESAN



PRODUCTS

Code	Description
0104120035	RC2 2600 C/R CL S-0205
0104120035C	RC2 2600 C/R CL EXP S-0205

ATTENTION: IMPORTANT

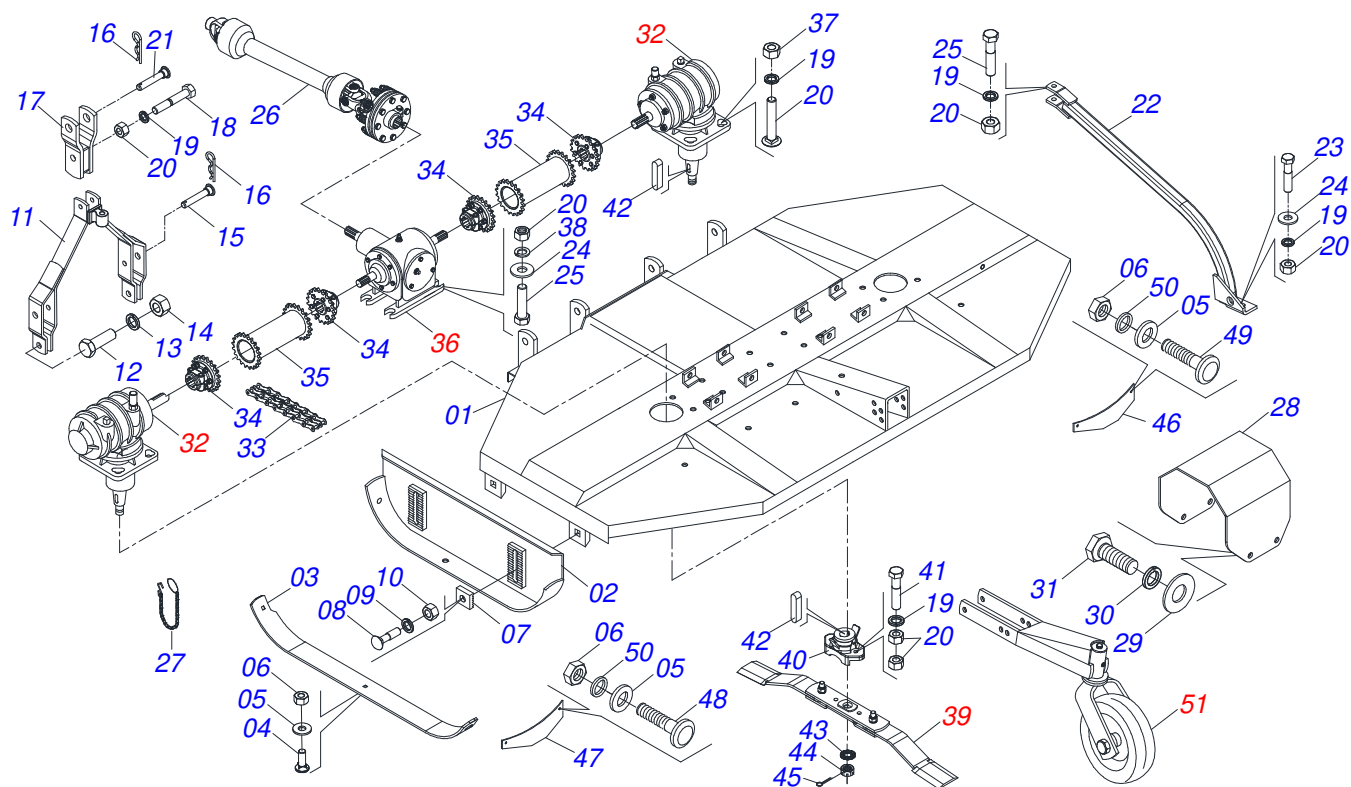
Marchesan S.A. reserves the right to improve and / or modify the technical features of its products, without obligation to do the same with those products already sold and without prior knowledge of the dealer or the consumer.



MARCHESAN

INDEX

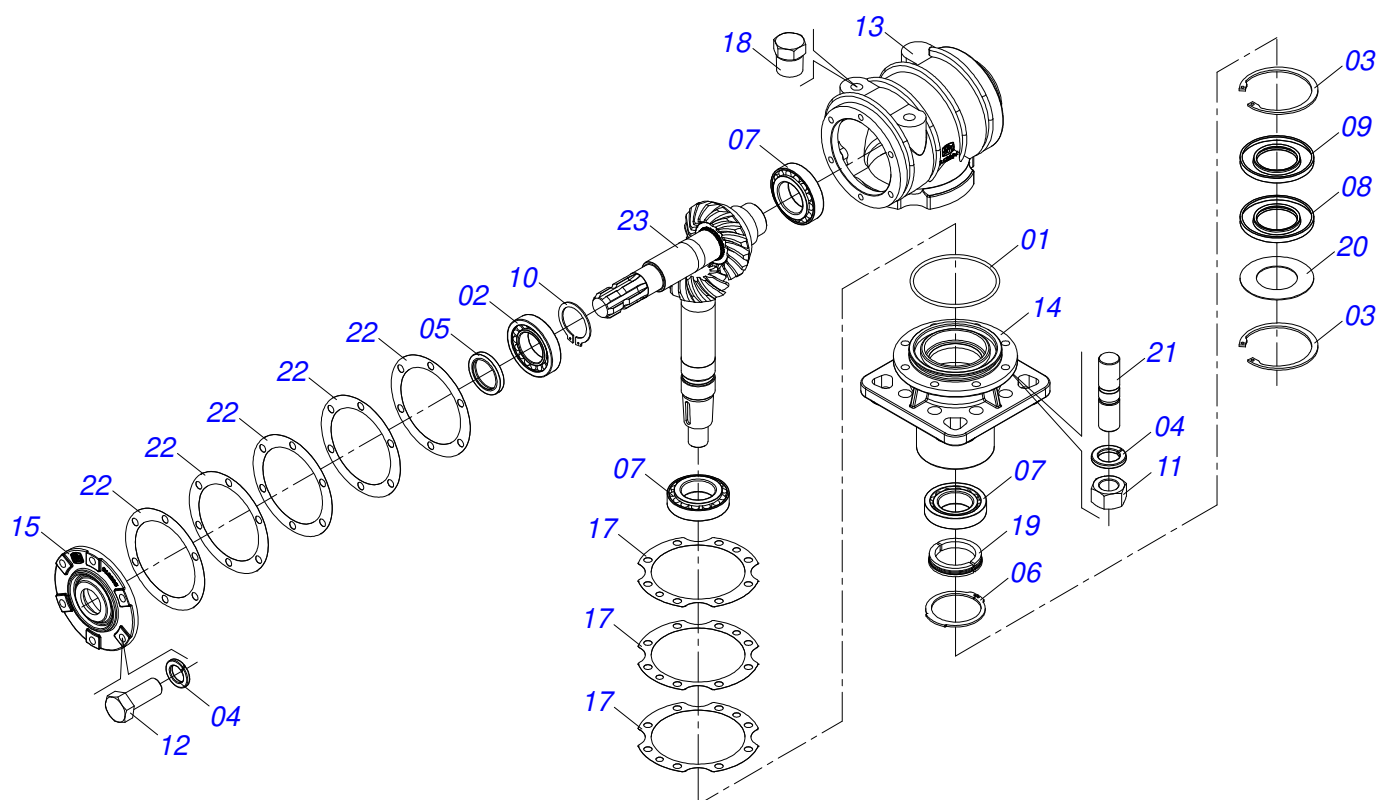
0909094551	FRAME RC2 2600	1
0511042158	RH MULTIPLIER	2
0511041608	DOUBLE DISTRIBUTOR	3
0511043450	DRIVE SHAFT	4
0909090711	CARDAN 60 X 600 T1/T6 C/P 0501047952 (STU)	5
0501056010	FRICTION CLUTCH	6
0511047301	CARRYING WHEELS ASSY	7
0501043642	RUBBER WHEEL ASSY	8
0909091430	(SHEET METAL SUPPORT)SPARE	9



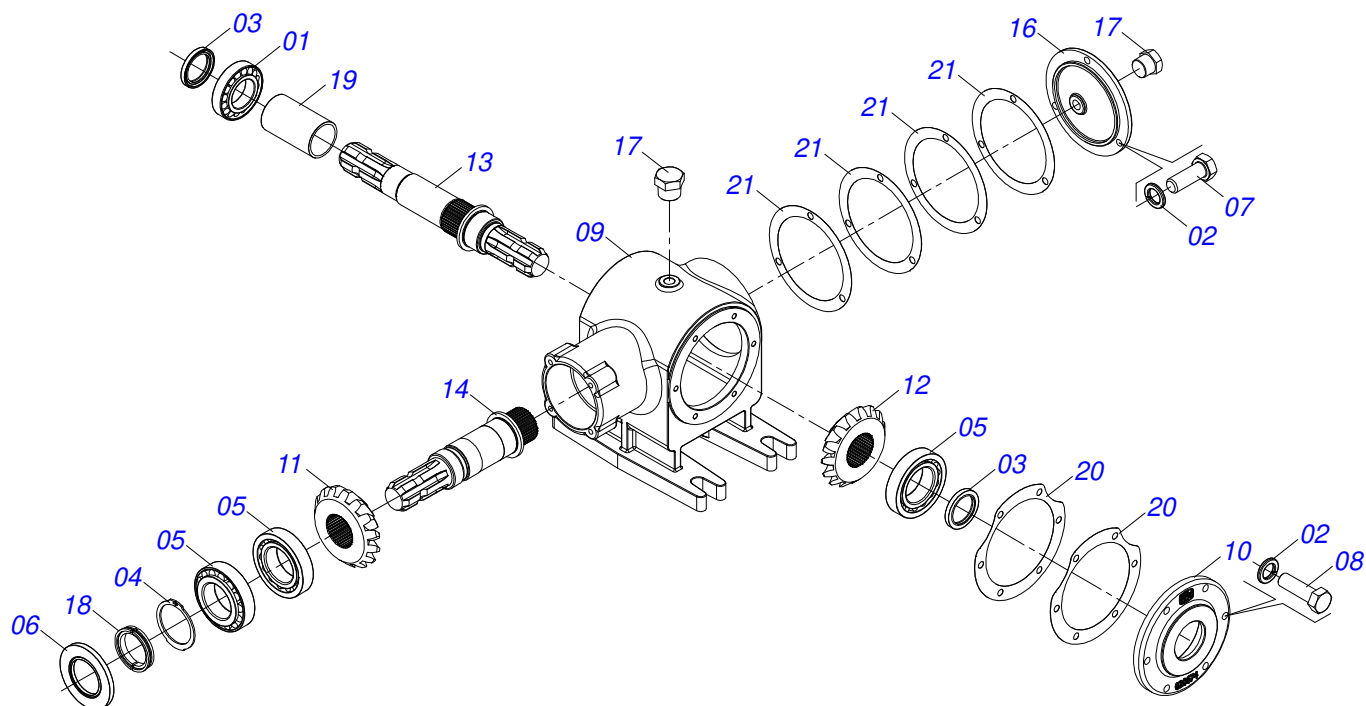
Item	Code	Description	See page	QT
01	0511066372	FRAME		01
01.	0511069382	FRAME TO WHEELS		01
02	0511064760	930 SKID		02
03	0531019436	SKID GUIDE		02
04	0503012956	1/2" X 1-1/2" BOLT		06
05	0511017302	FLAT WASHER		09
06	0503010020	1/2"NUT		09
07	0502010083	SQUARE WASHER		04
08	0501014177	5/8" X 2-1/2" BOLT		04
09	0503010027	5/8" SPRING WASHER		04
10	0503010013	5/8" NUT		04
11	0501066446	DRAWBAR		01
12	0501010171	BOLT 1 UNC X 3.1/2 C S G.5		02
13	0503010012	1" SPRING WASHER		02
14	0501010059	1.5/8 NUT		02
15	0521010596	COUPLING SHAFT		02
16	0503031035	HAIR PIN		03
17	0501066445	PIVOT DOUBLE BAR		01
18	0503011198	C3/4" X 6" SCREW		01
19	0503010023	3/4" SPRING WASHER		19
20	0503010014	3/4" NUT		19
21	0521010578	COUPLING SHAFT		01
22	0501067540	FRENCH HAND		01
23	0501017305	3/4" X 2-1/4" BOLT		01
24	0501010322	FLAT WASHER		05
25	0501010216	3/4" X 4-1/2" BOLT		05
26	0511043450	DRIVE SHAFT	4	01
27	0503011981	17.7" CHAIN WITH HOOK/LINK		01
28	0541015841	PROTECTION COVER		02
29	0501010984	FLAT WASHER		08
30	0503010025	3/8" SPRING WASHER		08



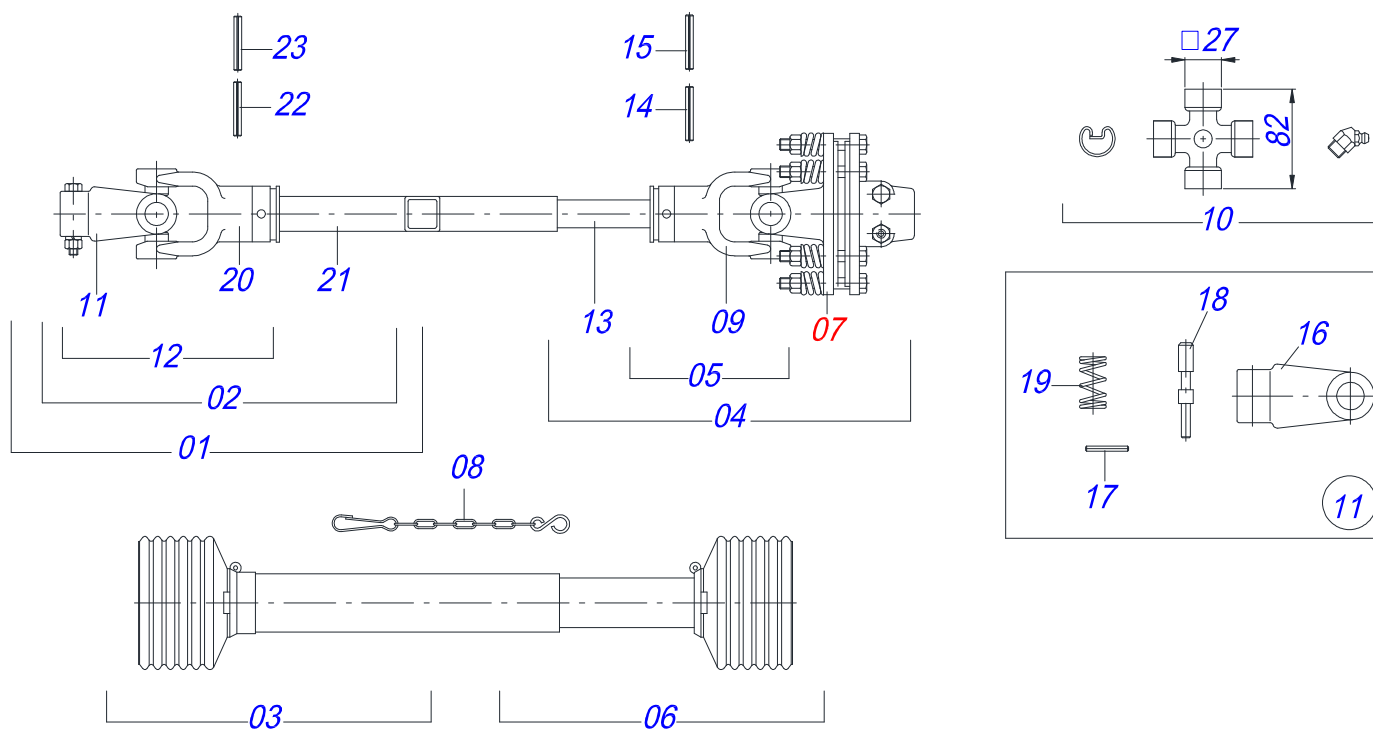
Item	Code	Description	See page	QT
31	0503010256	3/8" X 3/4" BOLT		08
32	0511042158	RH MULTIPLIER	2	02
33	0503013471	60-2 X 21 CHAIN LINK + MENDING		04
34	0511067340	1.3/4 TERMINAL		04
35	0511066368	174,5 COUPLING (RC2 2600 CL)		02
36	0511041608	DOUBLE DISTRIBUTOR	3	01
37	0503010797	3/4" X 4" BOLT		08
38	0501011445	FLAT WASHER		04
39	0501055991	SUPPORT WITH ROTARY CUTTER BLADES		02
40	0502012453	SUPPORT FLANGE		02
41	0503011328	3/4" X 4" BOLT		04
42	0501010536	KEYWAY SQUARE		04
43	0501017779	32 X 60 X 4.75 FLAT WASHER		02
44	0503011052	1.1/4" X 0.77" CASTLE NUT		02
45	0503010067	3/16" X 2.1/2" COTTER PIN		02
46	0511019205	35.4" RIGHT PROTECTION		01
47	0511019204	35.4" LEFT PROTECTION		01
48	0501010243	1/2" X 1-1/2" BOLT		01
49	0501011600	1/2" X 1-1/4" BOLT		02
50	0503011440	SPRING WASHER		03
51	0511047301	CARRYING WHEELS ASSY	7	01



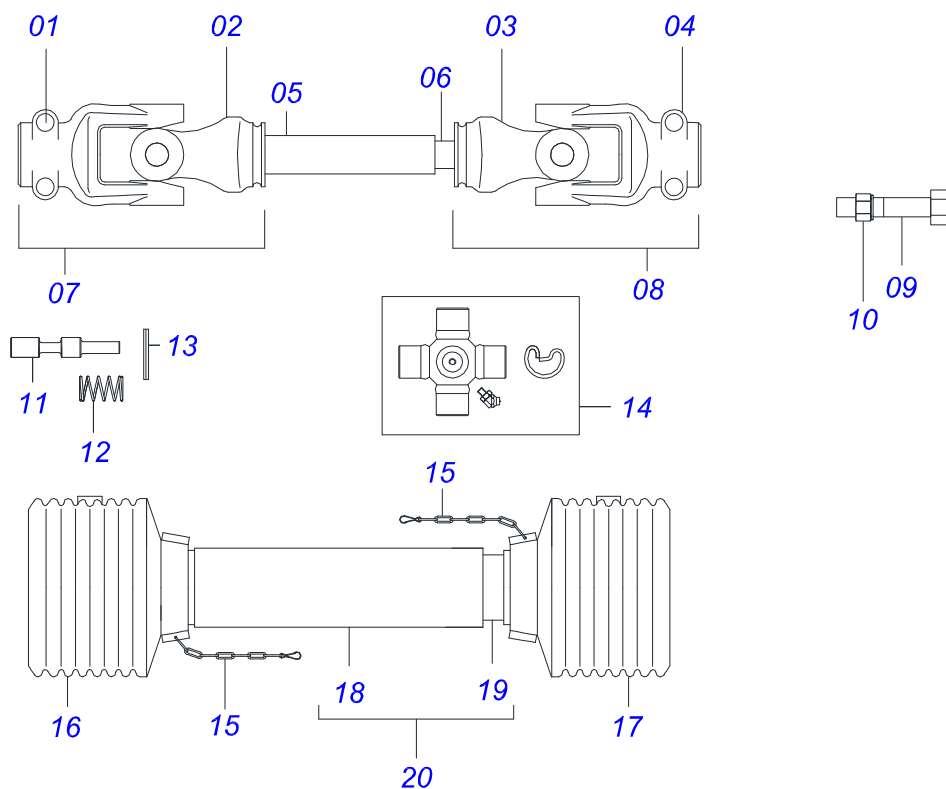
Item	Code	Description	See page	QT
01	0503010286	2-355 N 3006-9B O'RING		01
02	0503010750	30209 BALL BEARING		01
03	0503011420	502100 CLAMPING RING (FOR AXLE)		02
04	0503011440	SPRING WASHER		14
05	0503012103	5301 -BSEAL		01
06	0503012311	501065 RENO RING		01
07	0503012418	32211 ROLLER BEARING		03
08	0503013201	ARCA 6016 BRG SEAL		01
09	0503013211	6016 BRG SEAL		01
10	0503014772	501056 CLAMPING RING (FOR AXLE)		01
11	0503810028	NUT 1/2 NF SA		08
12	0503810395	SCREW 1/2 UNC X 1.1/4 CSRT G.5 SA		06
13	0502012204	SPEED MULTIPLIER BOX		01
14	0502012206	LOWER HUB		01
15	0502012203	RH COVER MULTIPLIER		01
16	3402301247	MINERAL OIL GREASE		2,85Lts
17	0503030785	7.9" X 5.9" X 0.008" JOINT		03
18	0503031604	1/2" BSP PLUG		02
19	0531019302	LOCK RING		01
20	0531818823	FLAT WASHER 55.20 X99,80 X1,50 SA		01
21	0503830084	PRISONER 1/2 UNC X 1/2 UNF X 50 SA		08
22	0503030783	7.1" X 5.3" X 0.008" JOINT		05
23	0503061696	CROWN PINION SET 12Z 12Z AXLE RIGHT		01



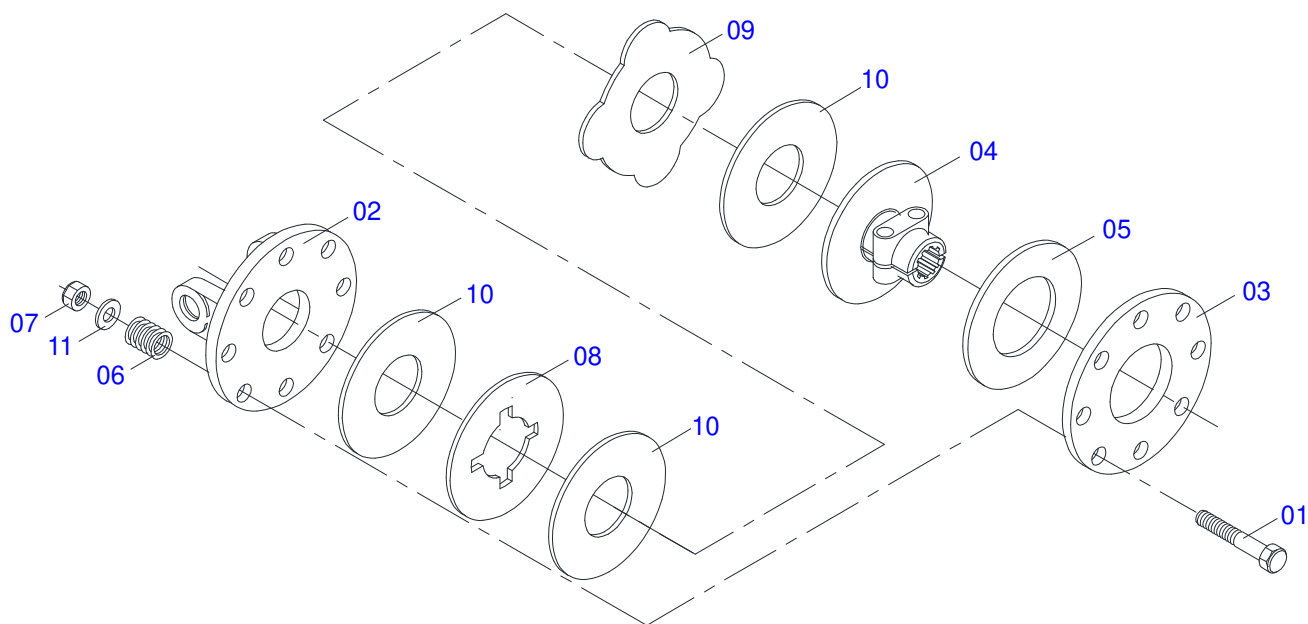
Item	Code	Description	See page	QT
01	0503010750	30209 BALL BEARING		01
02	0503011443	3/8" SPRING WASHER		09
03	0503012103	5301 -BSEAL		02
04	0503012311	501065 RENO RING		01
05	0503012418	32211 ROLLER BEARING		03
06	0503013201	ARCA 6016 BRG SEAL		01
07	0503810237	3/8 UNC X 1 C S G.5 SA BOLT		03
08	0503810751	3/8 UNC X 1.1/4 C S G.5 - SCREW		06
09	0502012178	DOUBLE DISTRIBUTOR BOX		01
10	0502020674	DISTRIBUTOR DOUBLE COVER		01
11	0503033139	RIGHT 15Z CONICAL GEAR		01
12	0503033140	15Z LEFT CONICAL GEAR		01
13	0503033141	LARGER AXLE		01
14	0503033142	SMALLER AXLE S-0503 EG-1935		01
15	3402301247	MINERAL OIL GREASE		2,0Lts
16	0502020160	COVER WITH DOUBLE DISTRIBUTOR		01
17	0503010856	OIL PLUG		02
18	0531019302	LOCK RING		01
19	0551018078	SLEEVE FLANGE BALL BEARING		01
20	0503030228	7.1" X 5.3" X 0.008" JOINT		02
21	0503030341	6.4" X 0.008" JOINT		04



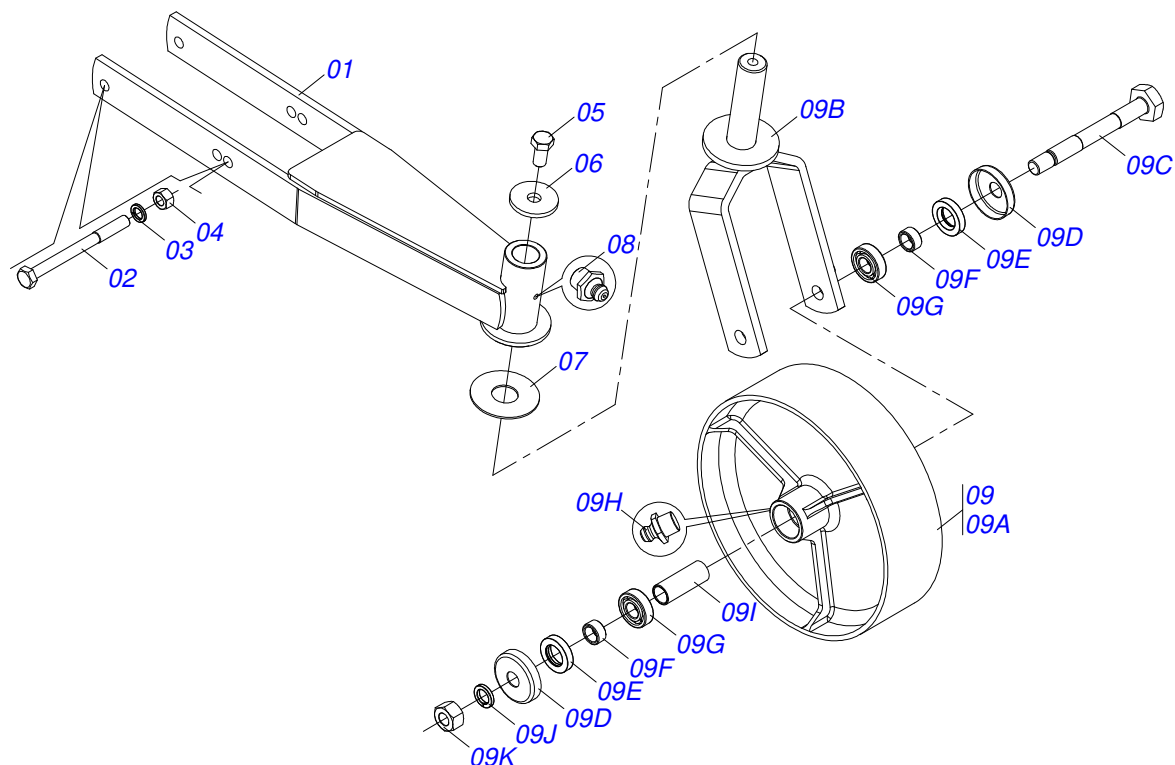
Item	Code	Description	See page	QT
01	0501056228	PROT/SLEEVE UNIVERSAL JOINT		01
02	0501056227	UNIVERSAL JOINT WITH SLEEVE		01
03	0503013619	PROTECTION FOR UNIV JOINT AND SLEEVE		01
04	0501056229	UNIVERSAL JOINT WITH AXLE/PROT		01
05	0501056226	UNIVERSAL JOINT WITH SHAFT		01
06	0503013620	PROTECTION FOR UNIV JOINT AND AXLE		01
07	0501056010	FRICITION CLUTCH	6	01
08	0503012023	CHAIN FOR PROTECTION		02
09	0502010571	3-60 TERMINAL W/ SH 1.43"/1.43"		02
10	0503010837	CARDAN CROSSPIECE		01
11	0501056223	TERM 1-60 C/CANAL CC50		01
12	0501056225	UNIVERSAL JOINT		01
13	0541016743	36,51 X 800 SQUARE SHAFT		01
14	0503011069	0.4" X 2.8" SPRING PIN		01
15	0503011805	0.2" X 2.8" SPRING PIN		01
16	0502011421	1-60 TERMINAL		01
17	0503010838	0.1" X 0.8" SPRING PIN		01
18	0521010638	0.5" X 3.3" QUIC HITCH COUPL SHAFT		01
19	0503030518	0.5"X1.0"X 0.1" COMPRESSION SPRING		01
20	0502010570	2-60 TERMINAL W/ SH 1.8"/1.8"		01
21	0541016742	45,3 X Q37,2 SQUARE SLEEVE		01
22	0503010843	0.4" X 3.3" SPRING PIN		01
23	0503011878	0.2" X 3.3" SPRING PIN		01



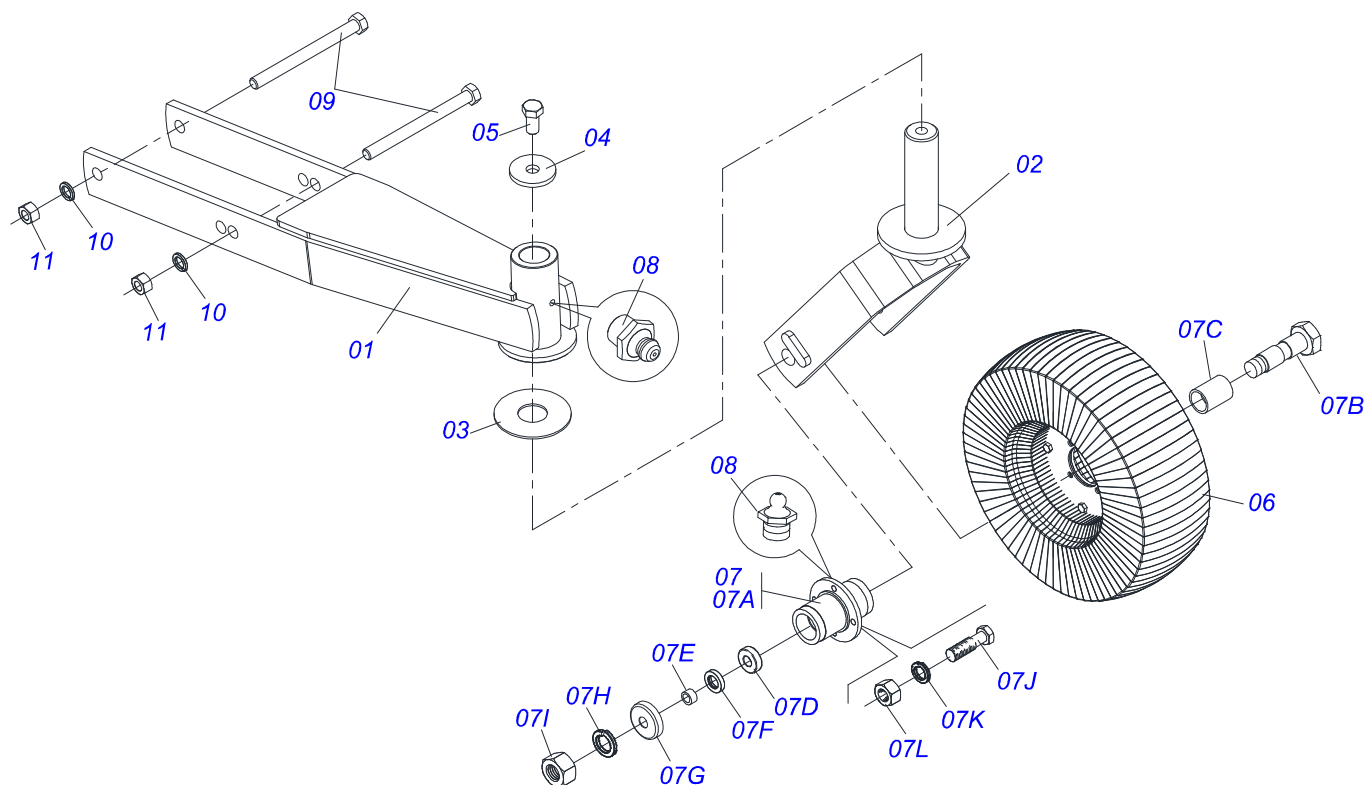
Item	Code	Description	See page	QT
01	0503017671	TERMINAL CRAR-353/TR 155000014		01
02	0503017672	TERMINAL		01
03	0503017673	TERMINAL		01
04	0503017674	TERMINAL		01
05	0503017669	TUBE 600 X 45		01
06	0503017670	BAR 600 X 37		01
07	0503062347	UNIVERSAL JOINT		01
08	0503062348	UNIVERSAL JOINT		01
09	0503017645	HEXAGON BOLT		01
10	0503017646	NUT		01
11	0503017626	COUPLING SHAFT		01
12	0503017627	HITCH SPRING		01
13	0503017628	COTTERPIN		01
14	0503017667	CROSS & BEARING		02
15	0503012023	CHAIN FOR PROTECTION		01
16	0503017663	SANFONA		01
17	0503017664	SANFONA		01
18	0503017665	TUBE		01
19	0503017666	TUBE		01
20	0503062343	ASSY PROTECTION		01



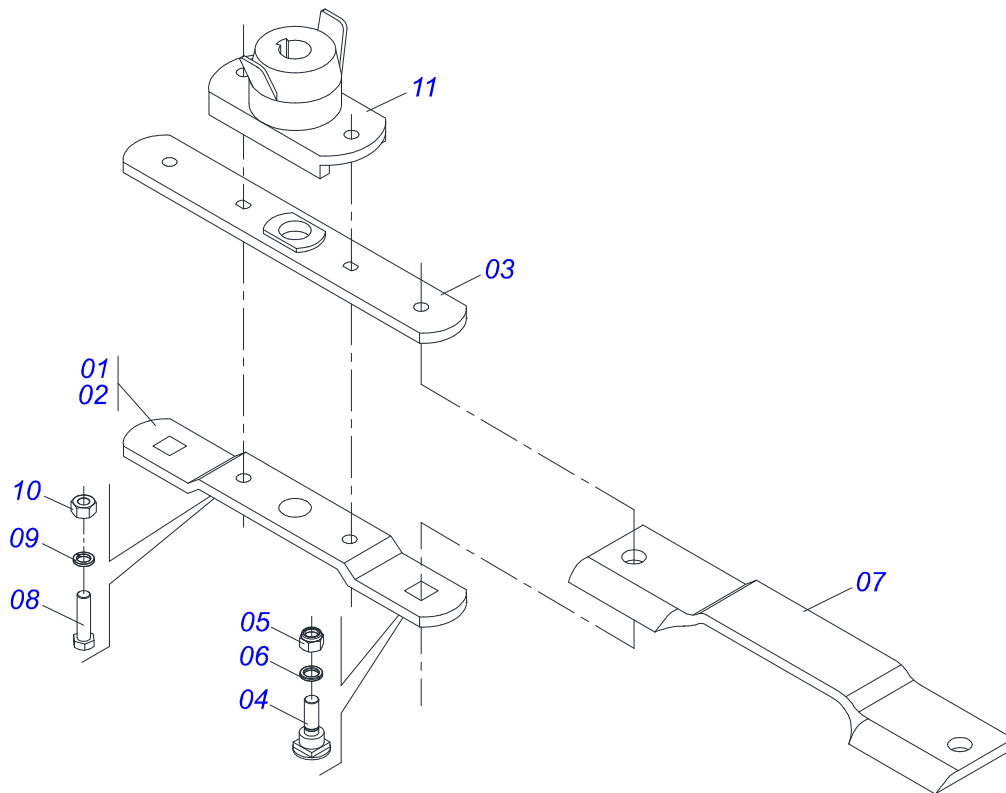
Item	Code	Description	See page	QT
01	0503013564	FRICION BOLT		08
02	0503013554	FLANGE		01
03	0503013557	COUPLING DISC		01
04	0503013556	CENTRAL CORE		01
05	0503013555	FRICION DISC		01
06	0503013558	FRICION SPRING		08
07	0503013559	FRICION NUT		08
08	0503013561	NOTCHED DISC		01
09	0503013560	INTERMEDIATE DISC		01
10	0503013562	FRICION DISC		03
11	0503013563	FRICION WASHER		08



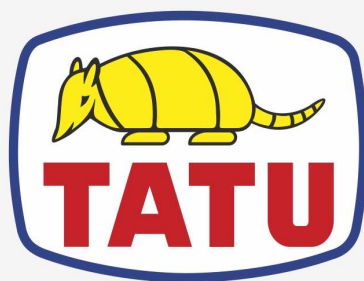
Item	Code	Description	See page	QT
01	0521065281	WHEEL SUPPORT		01
02	0503010795	5/8" X 7" BOLT		02
03	0503010027	5/8" SPRING WASHER		02
04	0503010013	5/8" NUT		02
05	0503010962	5/8" X 1-1/4" BOLT		01
06	0511010721	FLAT WASHER		01
07	0511013239	FLAT WASHER		01
08	0503010002	1800 GREASE FITTING		01
09	0501058460	CARRYING WHEELS		01
09A	0502012519	350 X 100 WHEEL		01
09B	0501065266	WHELL FORK		01
09C	0501017143	WHEEL AXLE		01
09D	0511014254	DUST CLOAK		02
09E	0503010268	00262-B SEAL		02
09F	0521010487	SPACER WASHER		02
09G	0503010269	6204 BALL BEARING		02
09H	0503010002	1800 GREASE FITTING		01
09I	0521010460	0.9" X 1.1" X 2.9" SLEEVE		01
09J	0503011442	3/4" SPRING WASHER		01
09K	0503010014	3/4" NUT		01



Item	Code	Description	See page	QT
01	0501069375	WHEEL SUPPORT		01
02	0501065266	WHELL FORK		01
03	0511013239	FLAT WASHER		01
04	0511010721	FLAT WASHER		01
05	0503010962	5/8" X 1-1/4" BOLT		01
06	0501050433	TIRE WHELL		01
07	0501051587	WHEELS BOX ASSY		01
07A	0502011286	WHEELS BOX ASSY		01
07B	0501017143	WHEEL AXLE		01
07C	0521010460	0.9" X 1.1" X 2.9" SLEEVE		01
07D	0503010269	6204 BALL BEARING		02
07E	0521010487	SPACER WASHER		02
07F	0503010268	00262-B SEAL		02
07G	0511014254	DUST CLOAK		01
07H	0503010023	3/4" SPRING WASHER		01
07I	0503010014	3/4" NUT		04
07J	0501010080	3/8" BOLT		04
07K	0503010025	3/8" SPRING WASHER		04
07L	0503010026	3/8" NUT		02
08	0503010002	1800 GREASE FITTING		01
09	0503010795	5/8" X 7" BOLT		02
10	0503010027	5/8" SPRING WASHER		02
11	0503010013	5/8" NUT		02



Item	Code	Description	See page	QT
01	0501056326	SUPPORT WITH ROTARY CUTTER BLADES		01
02	0561017368	ROTARY LOWER SUPPORT		01
03	0561017308	SUPPORT UPPER BASE		01
04	0511019000	BOLT		02
05	0503010812	7/8" UNF SELF LOCKING NUT		02
06	0503011447	SPRING WASHER		02
07	0622400057	21.6" X 3.94" X 0.5" ROTARY CUTTER		02
08	0503010901	3/4UNC 3.1/2 BOLT		02
09	0503010023	3/4" SPRING WASHER		02
10	0503010014	3/4" NUT		02
11	0502012453	SUPPORT FLANGE		01



MARCHESAN

Technical Publications | Elaboration and Revision

ALESSANDRA PATRICIA KAWAHARA CARRILI

www.marchesan.com.br

