

**ROTARY CUTTERS**

## RC2 2600 LSL - 01 WHEEL

**Code:** 0501091324  
**Series:** S-1195  
**Revision:** 00  
**Date Revision:** AGOSTO/2021

# PARTS CATALOGUE



**MARCHESAN**



# PRODUCTS

Code	Description
0104120010	RC2 2600 C/R LSL S-1195
0104120010C	RC2 2600 C/R LSL EXP S-1195

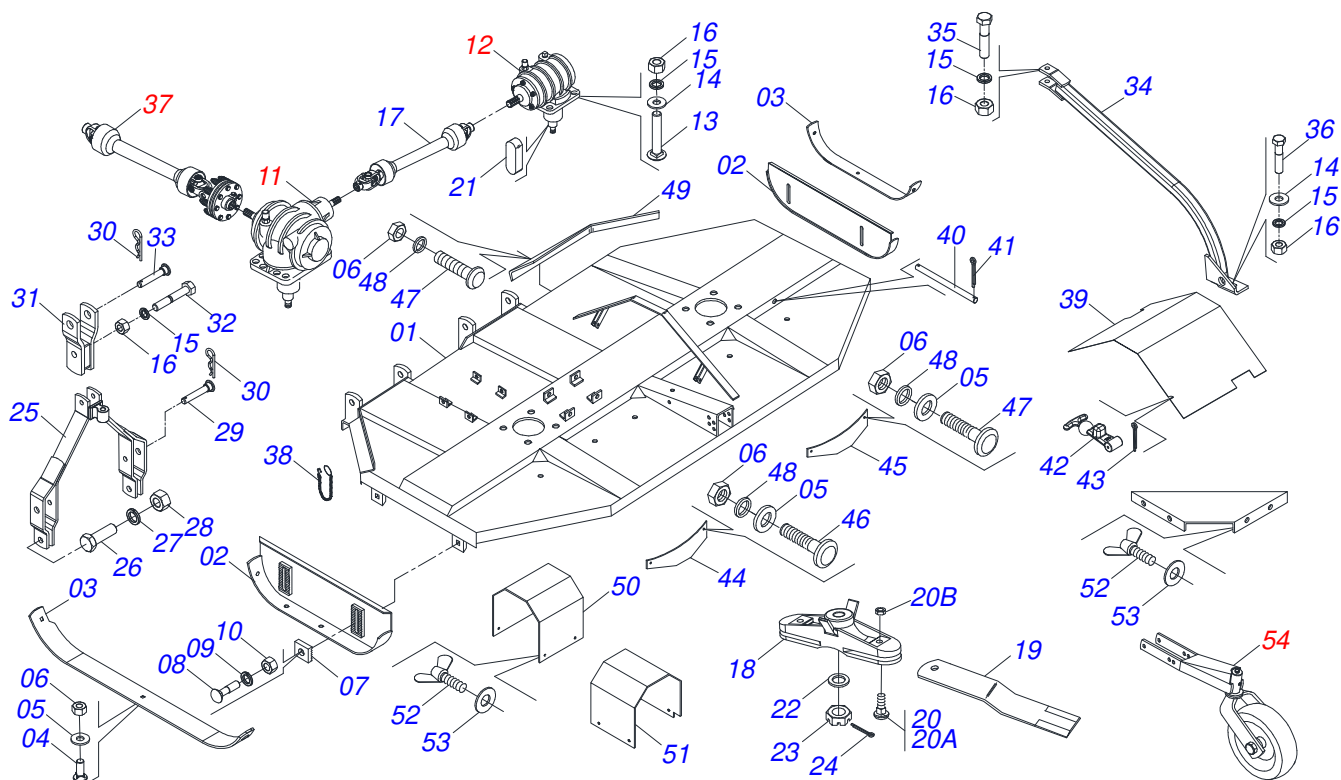
## ATTENTION: IMPORTANT

Marchesan S.A. reserves the right to improve and / or modify the technical features of its products, without obligation to do the same with those products already sold and without prior knowledge of the dealer or the consumer.



# INDEX

0909090277	ROTARY CUTTER 2600 LSL RC2	.....	1
0501042923	CARRYING WHEELS	.....	2
0501047684	DISTRIBUTOR MULTIPLIER	.....	3
0501044496	SPEED TRANSMISSION	.....	4
0501045888	DRIVE SHAFT	.....	5
0501045426	DRIVE SHAFT	.....	6
0909090712	CARDAN 60 X 900 T1/T6 C/P 0501047948 ( STU )	.....	7
0501049150	90 KGM FRICTION	.....	8
0501043642	RUBBER WHEEL ASSY	.....	9
0909091430	(SHEET METAL SUPPORT)SPARE	.....	10

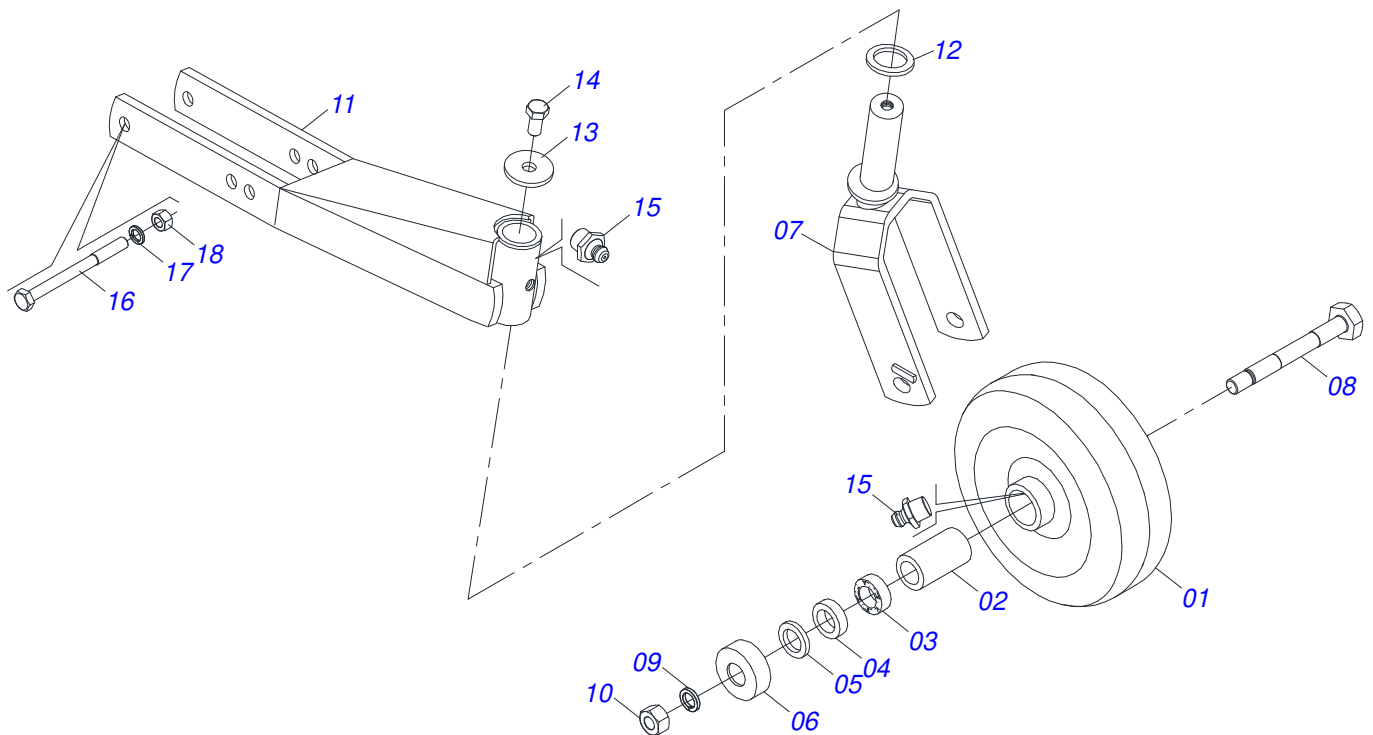


Item	Code	Description	See page	QT
01	0501069540	FRAME		01
02	0511064760	930 SKID		02
03	0531019436	SKID GUIDE		02
04	0503012956	1/2" X 1-1/2" BOLT		06
05	0511017302	FLAT WASHER		09
06	0503010020	1/2"NUT		06
07	0502010083	SQUARE WASHER		04
08	0501014177	5/8" X 2-1/2" BOLT		04
09	0503010027	5/8" SPRING WASHER		04
10	0503010013	5/8" NUT		04
11	0501047684	DISTRIBUTOR MULTIPLIER	3	01
12	0501044496	SPEED TRANSMISSION	4	01
13	0503010797	3/4" X 4" BOLT		08
14	0501010322	FLAT WASHER		09
15	0503010023	3/4" SPRING WASHER		11
16	0503010014	3/4" NUT		11
17	0501045888	DRIVE SHAFT	5	01
18	0502011570	SUPPORT ROTARY CUTTER BLADES		02
19	0622400057	21.6" X 3.94" X 0.5" ROTARY CUTTER		02
20	0501047573	BOLT		02
20A	0511019000	BOLT		02
20B	0503010812	7/8" UNF SELF LOCKING NUT		02
21	0501010536	KEYWAY SQUARE		04
22	0501017779	32 X 60 X 4.75 FLAT WASHER		02
23	0503011052	1.1/4" X 0.77" CASTLE NUT		02
24	0503010067	3/16" X 2.1/2" COTTER PIN		02
25	0501066446	DRAWBAR		01
26	0501010171	BOLT 1 UNC X 3.1/2 C S G.5		02
27	0503010012	1" SPRING WASHER		02
28	0501010059	1.5/8 NUT		02
29	0521010596	COUPLING SHAFT		02

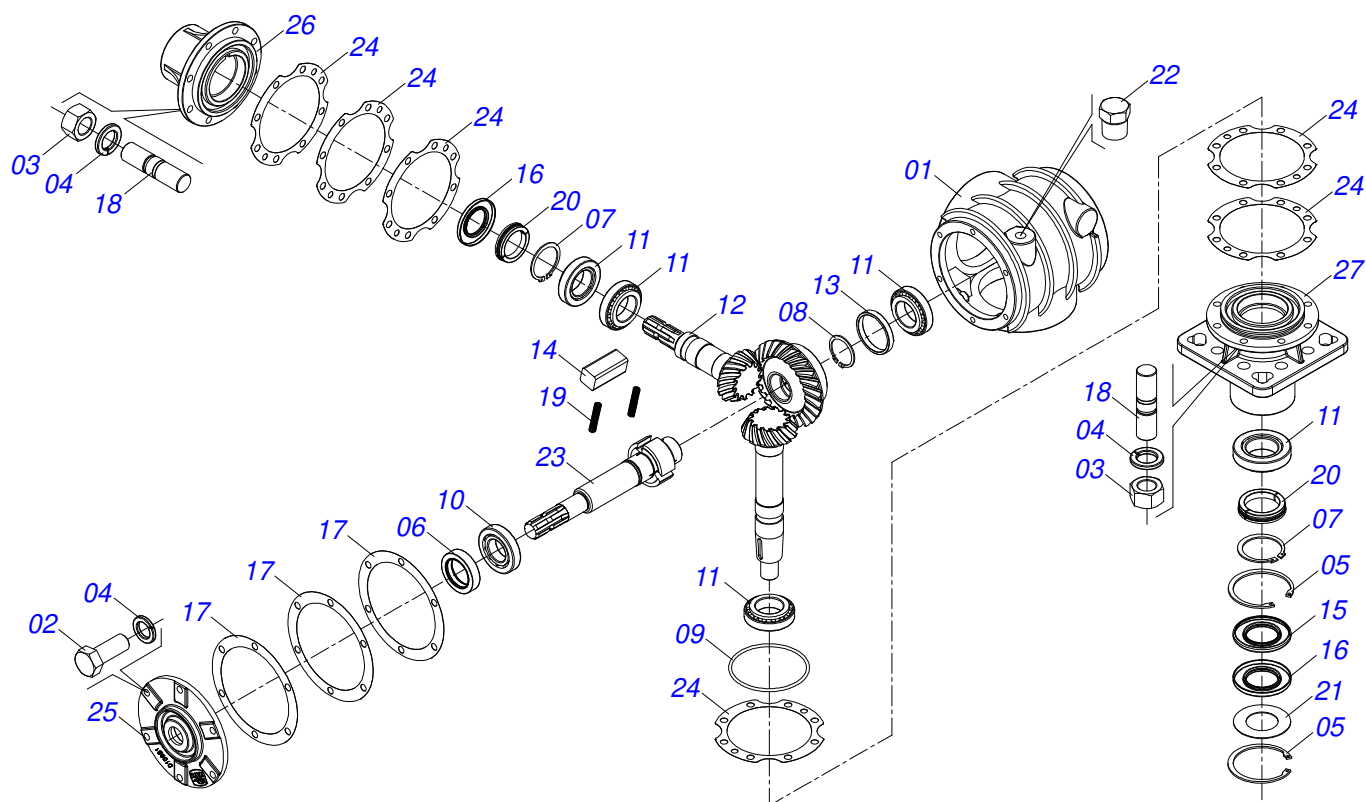


RC2 2600 LSL - 01 WHEEL  
ROTARY CUTTER 2600 LSL RC2

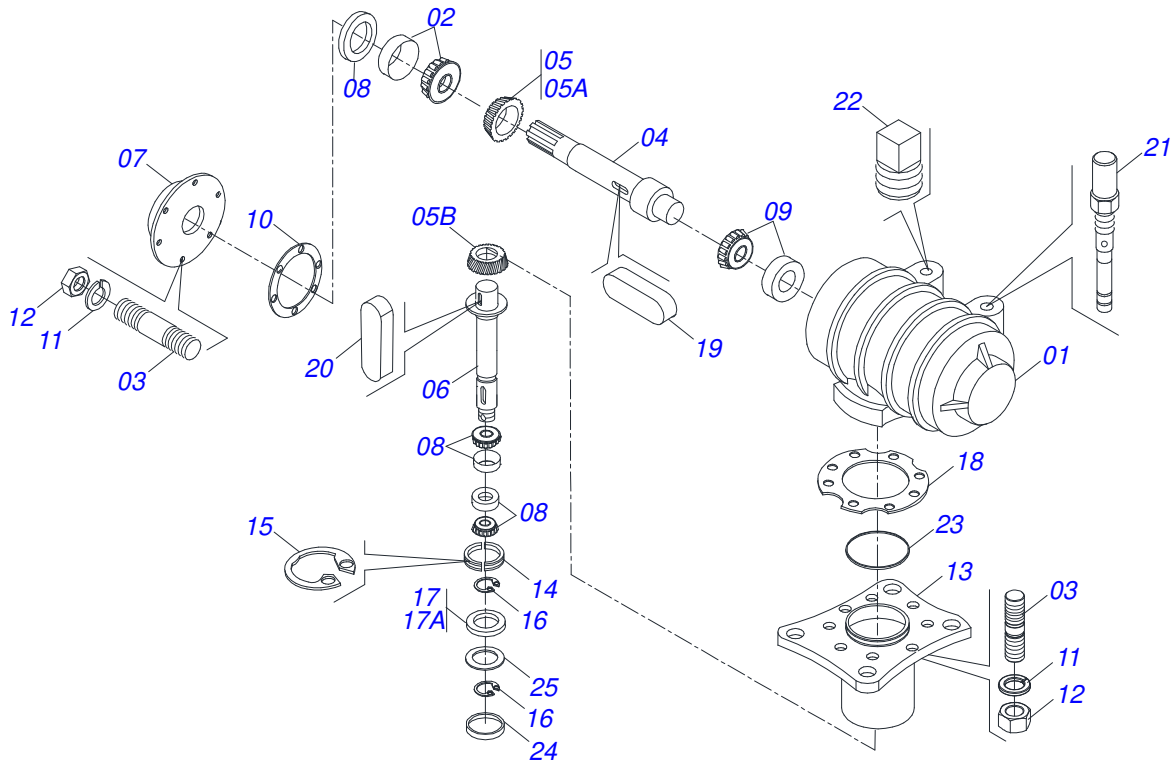
Item	Code	Description	See page	QT
30	0503031035	HAIR PIN		03
31	0501066445	PIVOT DOUBLE BAR		01
32	0503011198	C3/4" X 6" SCREW		01
33	0521010578	COUPLING SHAFT		01
34	0501067540	FRENCH HAND		01
35	0501010216	3/4" X 4-1/2" BOLT		01
36	0501017305	3/4" X 2-1/4" BOLT		01
37	0501045426	DRIVE SHAFT	6	01
38	0503011981	17.7" CHAIN WITH HOOK/LINK		01
39	0501069542	PROTECTION COVER		01
40	0521012315	AXLE WITH PROTECTION CAP		01
41	0503010131	3/16" X 1-1/2" COTTERPIN		02
42	0503011333	COVER FIXER		02
43	0503010523	1/4" X 2" COTTERPIN		02
44	0511019205	35.4" RIGHT PROTECTION		01
45	0511019204	35.4" LEFT PROTECTION		01
46	0501010243	1/2" X 1-1/2" BOLT		01
47	0501011600	1/2" X 1-1/4" BOLT		02
48	0503010019	1/2" SPRING WASHER		03
49	0501067827	FRONT PROTECTION		01
50	0531017842	COVER OF LATERAL PROTECTION		01
51	0531017843	FRONT PROTECTION COVER		01
52	0503012904	3/8" BUTTERFLY BOLT		08
53	0501010984	FLAT WASHER		08
54	0501042923	CARRYING WHEELS	2	01



Item	Code	Description	See page	QT
01	0501063309	13.8" X 4.33" WHEEL ASSY		01
02	0501017142	1.1" X 0.8" X 2.8" BUSHING		01
03	0503010269	6204 BALL BEARING		02
04	0501014032	BUSHING		02
05	0503010268	00262-B SEAL		02
06	0511014254	DUST CLOAK		02
07	0501065266	WHELL FORK		01
08	0501017143	WHEEL AXLE		01
09	0503010023	3/4" SPRING WASHER		01
10	0503010014	3/4" NUT		01
11	0501069375	WHEEL SUPPORT		01
12	0511013239	FLAT WASHER		01
13	0511010721	FLAT WASHER		01
14	0503010962	5/8" X 1-1/4" BOLT		01
15	0503010002	1800 GREASE FITTING		02
16	0503010795	5/8" X 7" BOLT		02
17	0503010027	5/8" SPRING WASHER		02
18	0503010013	5/8" NUT		02

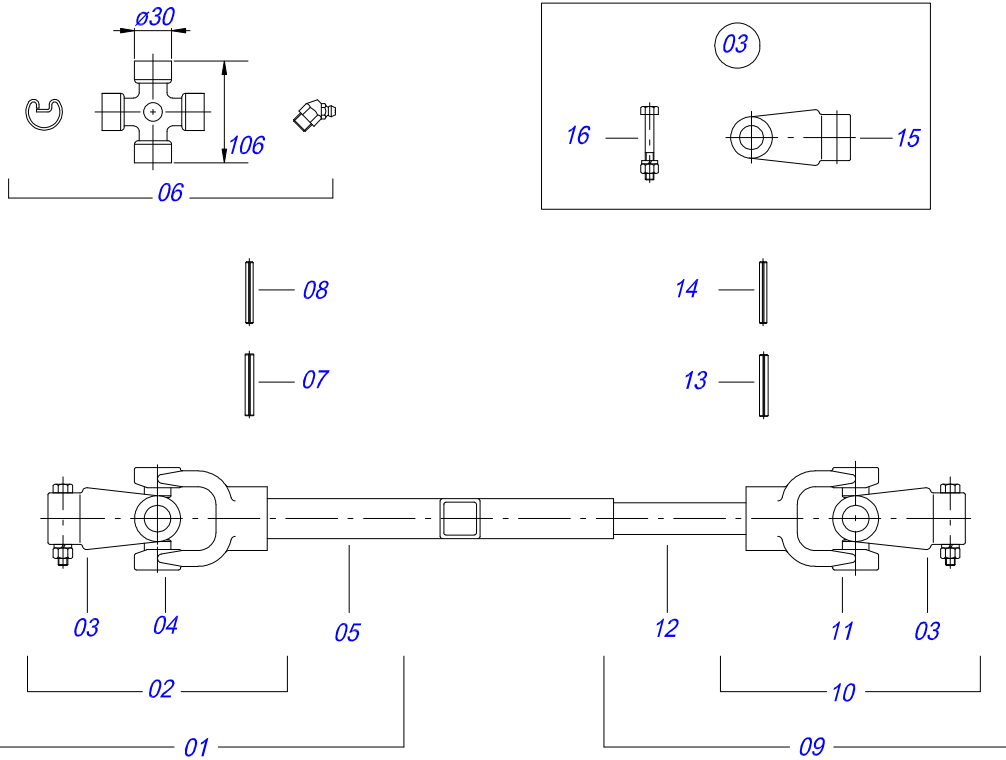


Item	Code	Description	See page	QT
01	0502011171	MULTIPLIER BOX	01	01
02	0503010395	1/2" X 1-1/4" BOLT	06	06
03	0503010028	1/2" NUT	16	16
04	0503011440	SPRING WASHER	22	22
05	0503011190	SEAL RING	02	02
06	0503011171	00912-BRG SEAL	01	01
07	0503010396	501060 CLAMPING RING (FOR AXLE)	02	02
08	0503010372	501050 CLAMPING RING (FOR AXLE)	01	01
09	0503010286	2-355 N 3006-9B O'RING	01	01
10	0503010037	30207 ROLLER BEARING	01	01
11	0503010006	32210 ROLLER BEARING	05	05
12	0503060216	CROWN PINION SET	01	01
13	0571013096	FLAT WASHER Ø63.45 X Ø72.85 X 10	01	01
14	0501010649	RATCHET CLICK	03	03
15	0503011201	5089 SEAL WITH HOLE	01	01
16	0503011047	5089 SEAL	02	02
17	0503030784	8.5" X 6.7" X 0.01" JOINT	03	03
18	0503030084	1/2" X 1/2" X 2.0" STUD	16	16
19	0503030051	0.2" X 1" X 0.1" COMPRESSION SPRING	06	06
20	0511010142	LOCK RING	02	02
21	0521018064	FLAT WASHER	01	01
22	0503031604	1/2" BSP PLUG	01	01
23	0503050051	UPPER AXLE	01	01
24	0503030785	7.9" X 5.9" X 0.008" JOINT	06	06
25	0502010981	LARGER COVER	01	01
26	0502011997	SIDE BOX	01	01
27	0502011392	HOUSING LOWER	01	01
28	3402301247	MINERAL OIL GREASE	04	04

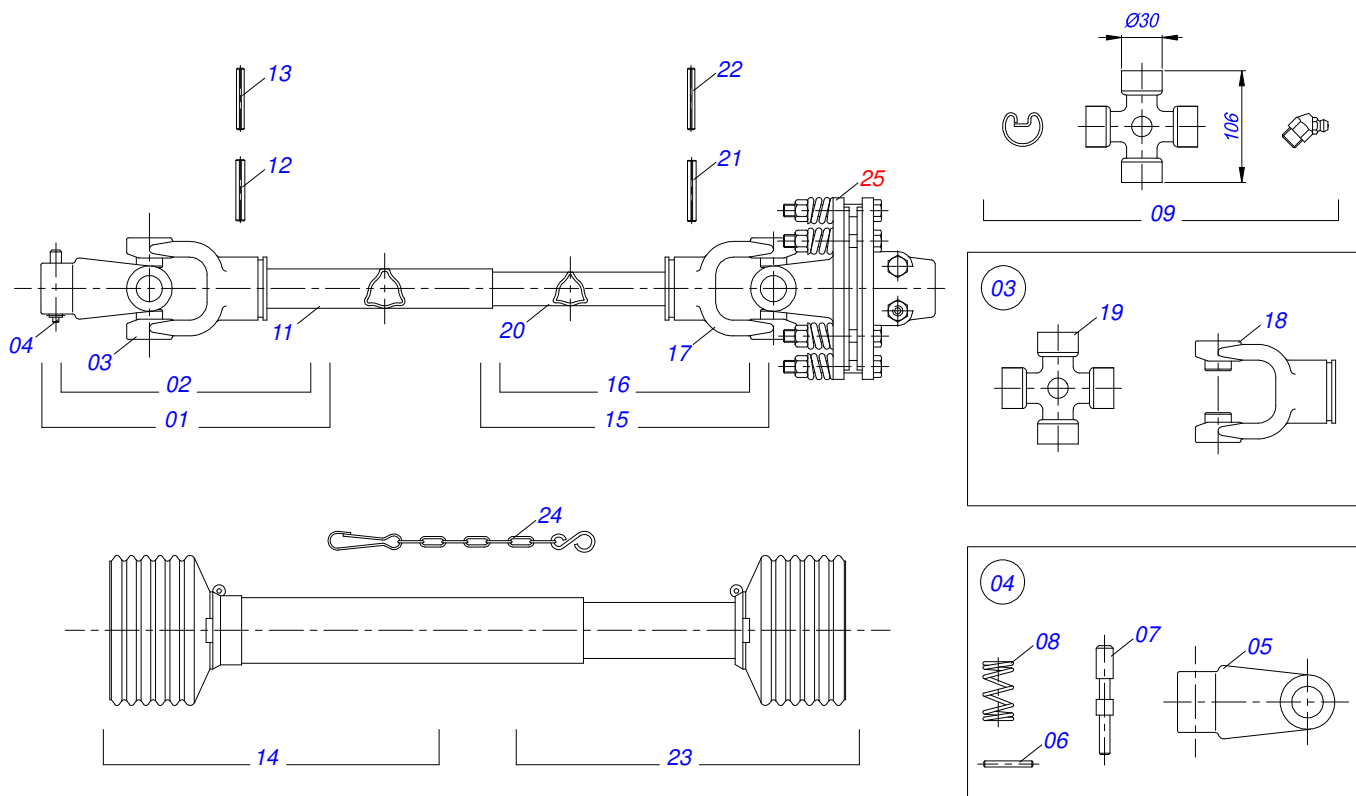


Item	Code	Description	See page	QT
01	0502010983	RIGHT MULTIPLIER BOX	01	01
02	0503010037	30207 ROLLER BEARING	01	01
03	0503030084	1/2" X 1/2" X 2.0" STUD	14	14
04	0503050068	UPPER AXLE	01	01
05	0503060249	CONICAL GEAR SET FOR DOUBLE DISTRIBUTOR	01	01
05A	0503030113	15Z RIGHT CONICAL GEAR	01	01
05B	0503031811	15Z LEFT CONICAL GEAR	01	01
06	0503050048	AXLE LOWER	01	01
07	0502010986	SMALLER COVER	01	01
08	0503011171	00912-BRG SEAL	01	01
09	0503010006	32210 ROLLER BEARING	03	03
10	0503030783	7.1" X 5.3" X 0.008" JOINT	03	03
11	0503010019	1/2" SPRING WASHER	14	14
12	0503010028	1/2" NUT	14	14
13	0502011392	HOUSING LOWER	01	01
14	0511010142	LOCK RING	01	01
15	0503010396	501060 CLAMPING RING (FOR AXLE)	01	01
16	0503011190	SEAL RING	02	02
17	0503011047	5089 SEAL	01	01
17A	0503011201	5089 SEAL WITH HOLE	01	01
18	0503030785	7.9" X 5.9" X 0.008" JOINT	03	03
19	0501010536	KEYWAY SQUARE	02	02
20	0501012993	0.4" X 1.1"KEYWAY SQUARE	02	02
21	0501110186	OIL SMALLER LEVEL INDICATOR	01	01
22	0503010123	1/2" BSPT PLUG	02	02
23	0503010286	2-355 N 3006-9B O'RING	01	01
24	0511017752	LOWER DUST CLOAK	01	01
25	0521018064	FLAT WASHER	01	01

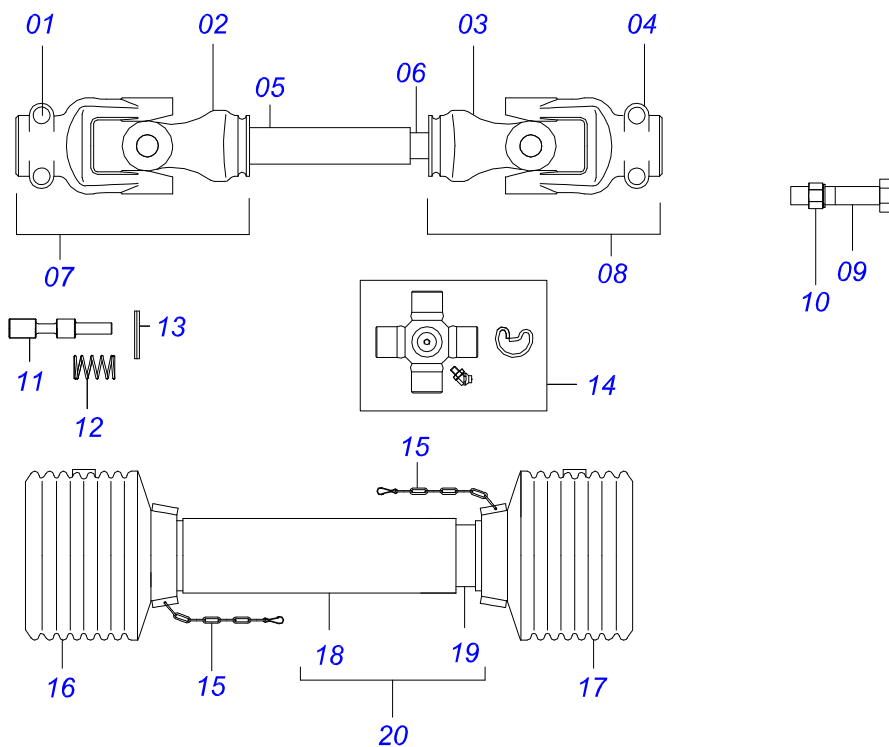




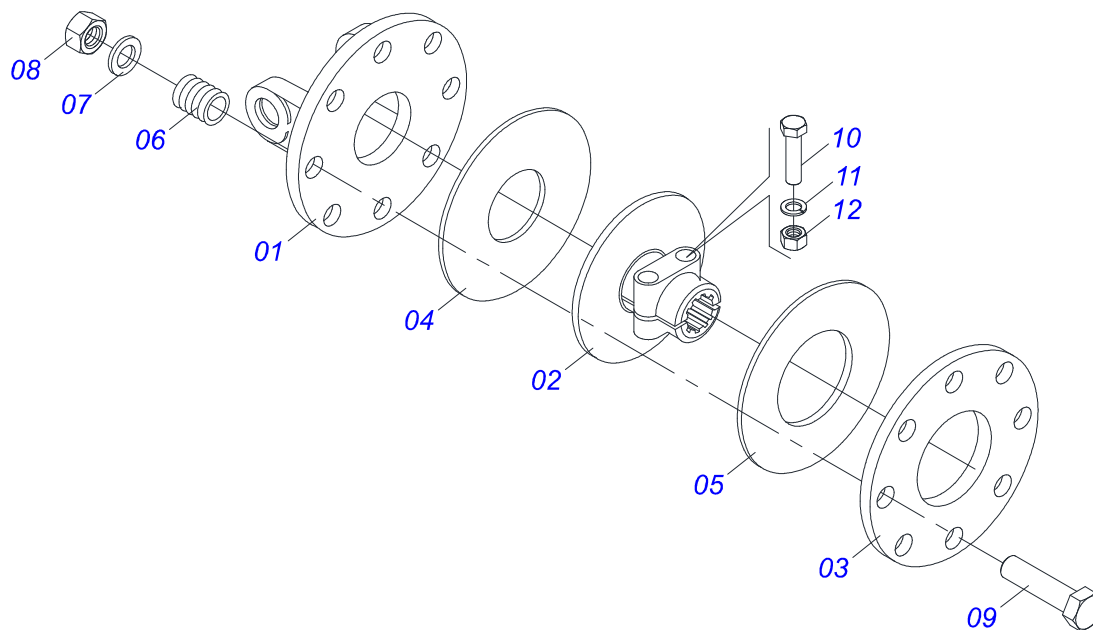
Item	Code	Description	See page	QT
01	0501050873	UNIVERSAL JOINT WITH SLEEVE		01
02	0501050390	UNIVERSAL JOINT		01
03	0501052516	T6-60 TERMINAL WITH SCREW		02
04	0502010570	2-60 TERMINAL W/ SH 1.8"/1.8"		01
05	0511017082	12" X 1.5" SQUARE SLEEVE		01
06	0503010837	CARDAN CROSSPIECE		02
07	0503010843	0.4" X 3.3" SPRING PIN		01
08	0503011878	0.2" X 3.3" SPRING PIN		01
09	0501050874	UNIVERSAL JOINT WITH SHAFT		01
10	0501050388	UNIVERSAL JOINT		01
11	0502010571	3-60 TERMINAL W/ SH 1.43"/1.43"		01
12	0511017083	1.4" X 12" SQUARE SHAFT		01
13	0503011069	0.4" X 2.8" SPRING PIN		01
14	0503011805	0.2" X 2.8" SPRING PIN		01
15	0502010830	6-60 STRIATED 1.3/8" TERMINAL		01
16	0501047759	1/2" X 3-1/2" BOLT ASSY		02



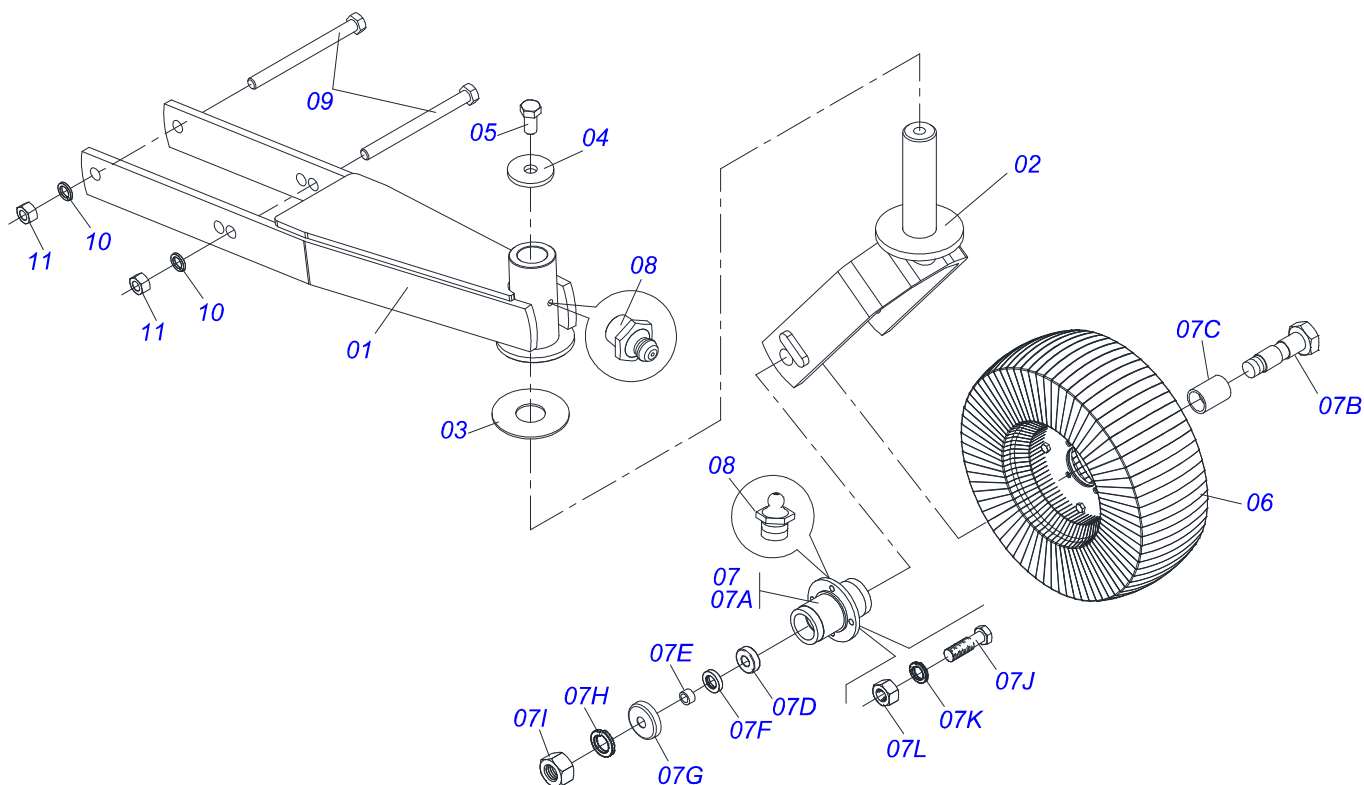
Item	Code	Description	See page	QT
01	0501052529	UNIVERSAL JOINT WITH SLEEVE/PROT		01
02	0501052523	UNIVERSAL JOINT WITH SLEEVE		01
03	0501052524	UNIVERSAL JOINT		01
04	0501050334	1-60 TERMINAL WITH QUICK HITCH		01
05	0502010568	1-60 STRIATED 1.3/8" TERMINAL		01
06	0503010838	0.1" X 0.8" SPRING PIN		02
07	0503037375	PIN QUICK COUPLING		02
08	0503030518	0.5"X1.0"X 0.1" COMPRESSION SPRING		02
09	0503010837	CARDAN CROSSPIECE		01
10	0503012608	T2-60/CI51 TERMINAL		01
11	0503012609	2.1" X 2.0" X 35" TRIAN FEMALE TUB		01
12	0503010843	0.4" X 3.3" SPRING PIN		01
13	0503011878	0.2" X 3.3" SPRING PIN		01
14	0503012075	PROTECTION FOR UNIV JOINT AND SLEEVE		01
15	0501052554	UNIVERSAL JOINT WITH SHAFT/PROT		01
16	0501052553	UNIVERSAL JOINT WITH CROSS/SHAFT		01
17	0501052520	UNIVERSAL JOINT WITH CROSSPIECE		01
18	0503012600	T3-60/CI52 TERMINAL		01
19	0503010837	CARDAN CROSSPIECE		01
20	0503012610	1.8" X 1.7" X 35" TRIAN MALE TUB		01
21	0503011069	0.4" X 2.8" SPRING PIN		01
22	0503011805	0.2" X 2.8" SPRING PIN		01
23	0503012076	PROTECTION FOR UNIV JOINT AND AXLE		01
24	0503012023	CHAIN FOR PROTECTION		02
25	0501049150	90 KGM FRICTION	8	01



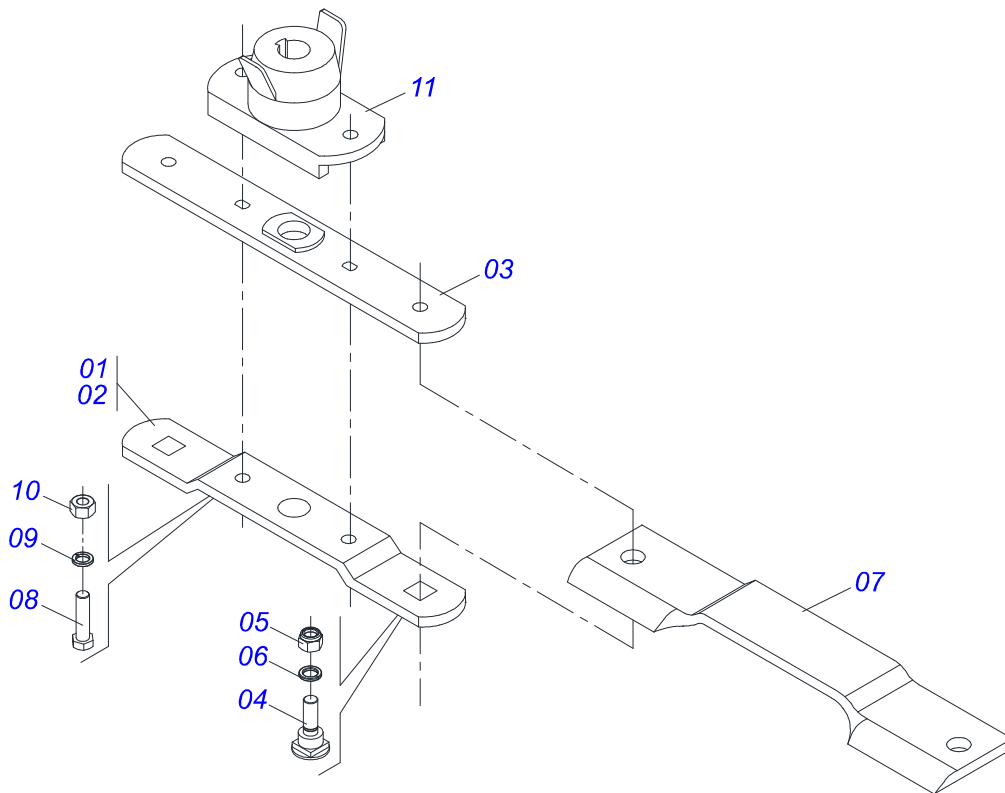
Item	Code	Description	See page	QT
01	0503017647	TERMINAL		01
02	0503017672	TERMINAL		01
03	0503017673	TERMINAL		01
04	0503017674	TERMINAL		01
05	0503017687	TUBE 900 X 45		01
06	0503017685	900 BAR		01
07	0503062347	UNIVERSAL JOINT		01
08	0503062348	UNIVERSAL JOINT		01
09	0503017645	HEXAGON BOLT		01
10	0503017646	NUT		01
11	0503017626	COUPLING SHAFT		01
12	0503017627	HITCH SPRING		01
13	0503017628	COTTERPIN		01
14	0503017667	CROSS & BEARING		02
15	0503017631	CHAIN ASSY		02
16	0503017680	SHAFT GUARD		01
17	0503017681	SMALLER GUARD		01
18	0503017682	LARGE GUARD		01
19	0503017683	SMALLER GUARD		01
20	0503062354	GUARD ASSY		01



Item	Code	Description	See page	QT
01	0503031588	FRONT FLANGE		01
02	0503011869	CENTRAL FLANGE		01
03	0503011870	REAR FLANGE		01
04	0503031474	INNER FRICTION DISC		01
05	0503031478	OUTER FRICTION DISC		01
06	0503030630	1.02"X1.3"X0.2" COMPRESSION SPRING		08
07	0511017302	FLAT WASHER		08
08	0503011336	1/2" HEX SELF ADJUSTING NUT		08
09	0503010752	1/2" X 3.1/2" BOLT		08
10	0503010741	1/2" X 2-3/4" BOLT		02
11	0503010019	1/2" SPRING WASHER		02
12	0503010060	1/2" NUT		02



Item	Code	Description	See page	QT
01	0501069375	WHEEL SUPPORT		01
02	0501065266	WHELL FORK		01
03	0511013239	FLAT WASHER		01
04	0511010721	FLAT WASHER		01
05	0503010962	5/8" X 1-1/4" BOLT		01
06	0501050433	TIRE WHELL		01
07	0501051587	WHEELS BOX ASSY		01
07A	0502011286	WHEELS BOX ASSY		01
07B	0501017143	WHEEL AXLE		01
07C	0521010460	0.9" X 1.1" X 2.9" SLEEVE		01
07D	0503010269	6204 BALL BEARING		02
07E	0521010487	SPACER WASHER		02
07F	0503010268	00262-B SEAL		02
07G	0511014254	DUST CLOAK		01
07H	0503010023	3/4" SPRING WASHER		01
07I	0503010014	3/4" NUT		04
07J	0501010080	3/8" BOLT		04
07K	0503010025	3/8" SPRING WASHER		04
07L	0503010026	3/8" NUT		02
08	0503010002	1800 GREASE FITTING		01
09	0503010795	5/8" X 7" BOLT		02
10	0503010027	5/8" SPRING WASHER		02
11	0503010013	5/8" NUT		02



Item	Code	Description	See page	QT
01	0501056326	SUPPORT WITH ROTARY CUTTER BLADES		01
02	0561017368	ROTARY LOWER SUPPORT		01
03	0561017308	SUPPORT UPPER BASE		01
04	0511019000	BOLT		02
05	0503010812	7/8" UNF SELF LOCKING NUT		02
06	0503011447	SPRING WASHER		02
07	0622400057	21.6" X 3.94" X 0.5" ROTARY CUTTER		02
08	0503010901	3/4UNC 3.1/2 BOLT		02
09	0503010023	3/4" SPRING WASHER		02
10	0503010014	3/4" NUT		02
11	0502012453	SUPPORT FLANGE		01





**MARCHESAN**

**Technical Publications | Elaboration and Revision**

ALESSANDRA PATRICIA KAWAHARA CARRILI

[www.marchesan.com.br](http://www.marchesan.com.br)

