

# PARTS CATALOGUE



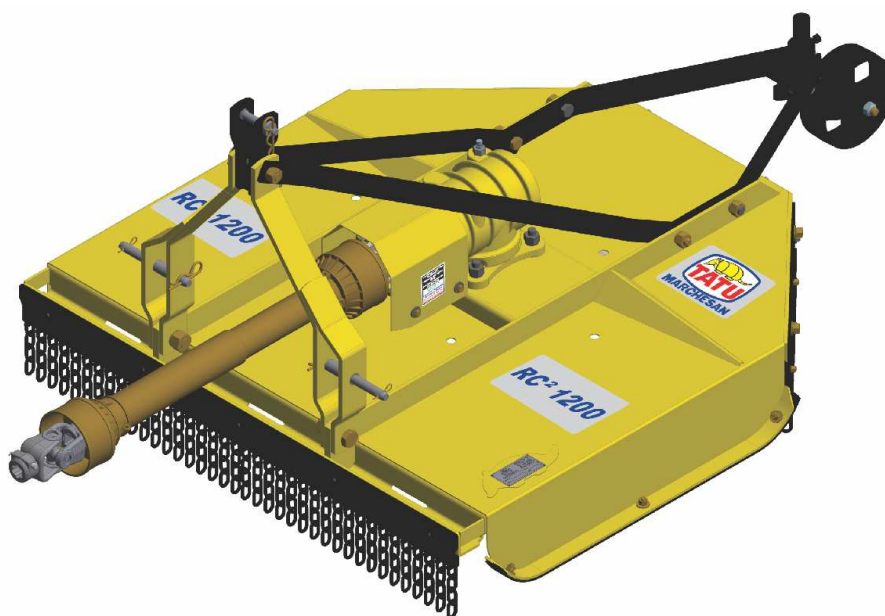
## ROTARY CUTTERS

**Code:**

0501091315

**Product:**

RC2 1200



**Series:**

S-1107

**Revision:**

00

**Date Revision:**

JANEIRO/2021



# PRODUCTS

Code	Description	
0104020002	RC2 1200 C/R	S-1107
0104020005	RC2 1200 C/R CM	S-1107
0104020001	RC2 1200 S/R	S-1107

## ATTENTION: IMPORTANT

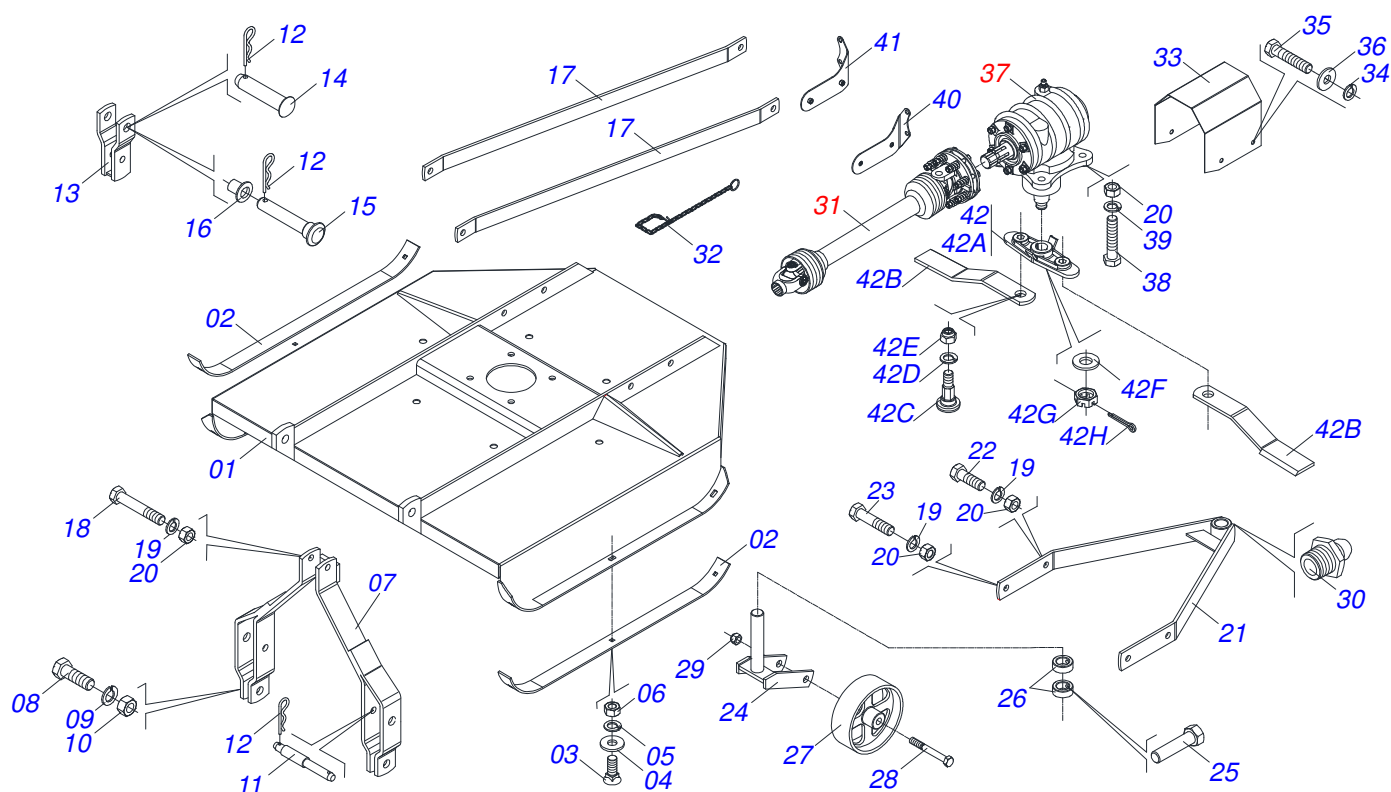
Marchesan S.A. reserves the right to improve and / or modify the technical features of its products, without obligation to do the same with those products already sold and without prior knowledge of the dealer or the consumer.



**MARCHESAN**

# INDEX

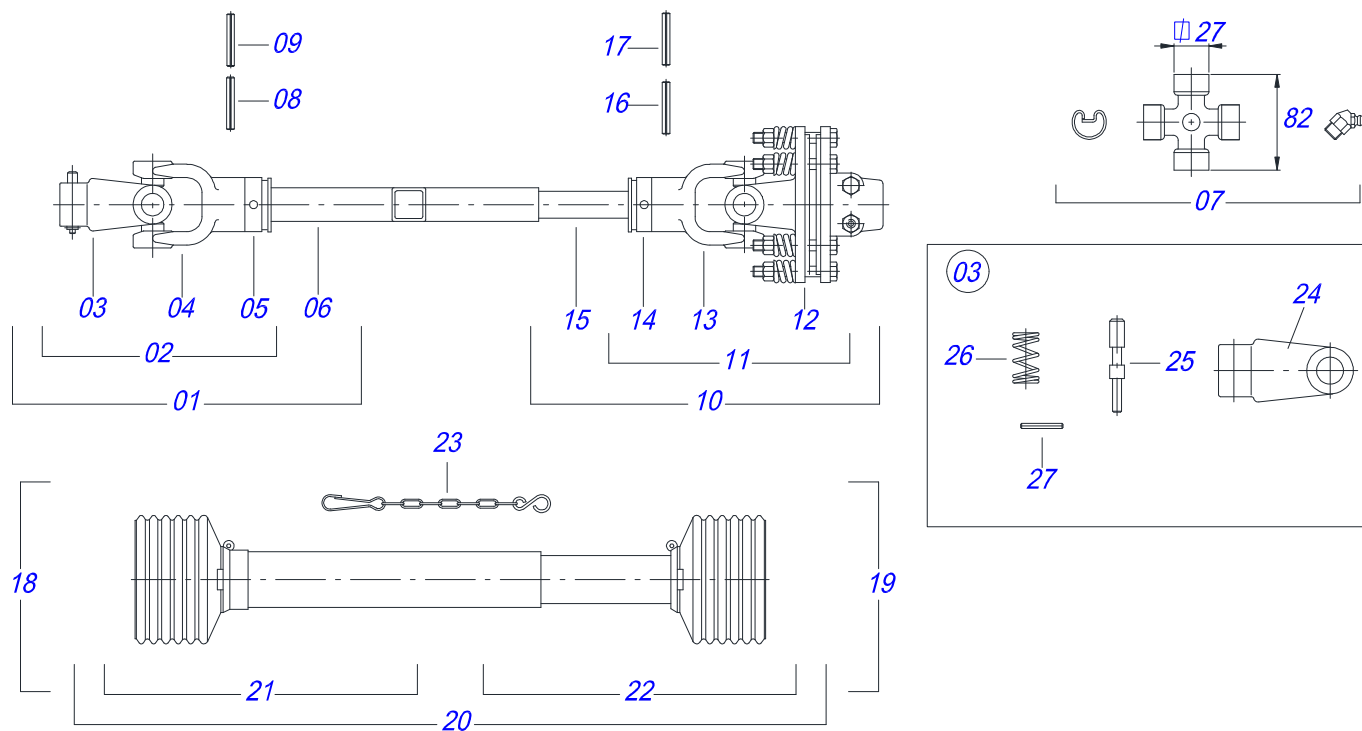
0909094550	FRAME	.....	1
0909090267	DRIVE SHAFT	.....	2
0909090701	CARDAN 40 X 800 T1/FRI CP 0501047949 (STU)	.....	3
0909090268	90 KGM FRICTION	.....	4
0501046851	MULTIPLIER	.....	5
0909091430	(SHEET METAL SUPPORT)SPARE	.....	6



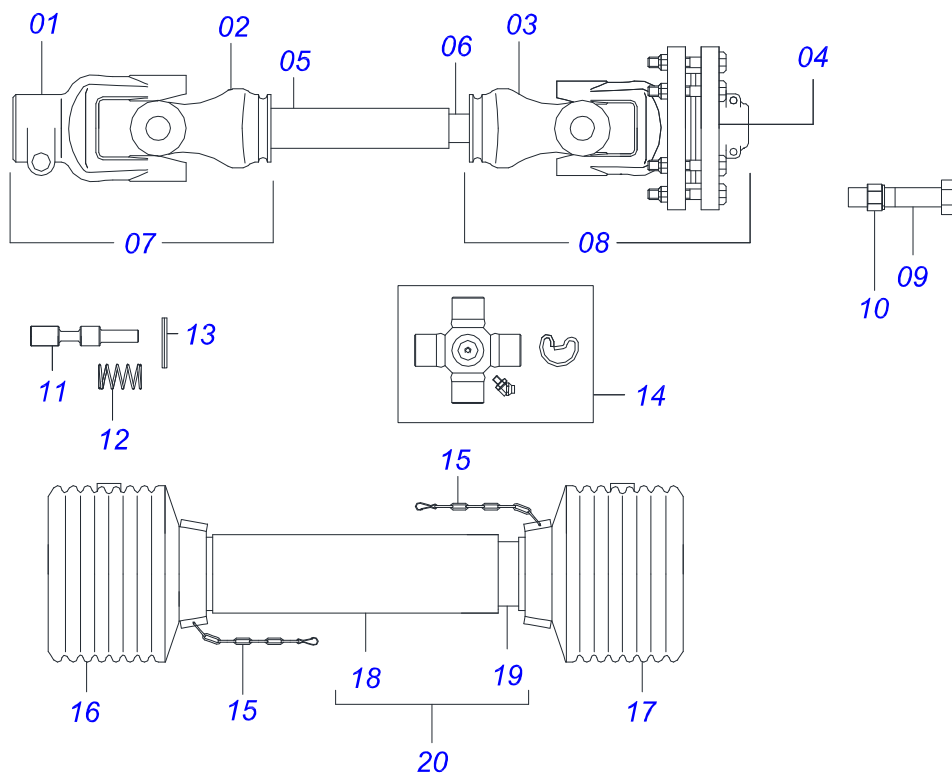
Item	Code	Description	See page	QT
01	0511069423	FRAME RC2 1200 L		01
02	0551018267	SKID GUIDE		02
03	0503011426	7/16" X 1-1/4" BOLT		06
04	0501012803	FLAT WASHER		06
05	0503010180	7/16" SPRING WASHER		06
06	0503010244	7/16" NUT		06
07	0511069422	DRAWBAR		01
08	0501010276	BOLT		02
09	0503010012	1" SPRING WASHER		02
10	0501010059	1.5/8 NUT		02
11	0521013311	RC2 1300 AXLE		02
12	0503031035	HAIR PIN		03
13	0501060330	PIVOT DOUBLE BAR		01
14	0521010578	COUPLING SHAFT		01
15	0521013938	HITCH AXLE		01
16	0521010443	1" SLEEVE		01
17	0551018301	RIGHT FRENCH HAND		02
18	0503011084	3/4" X 5" BOLT		01
19	0503010023	3/4" SPRING WASHER		05
20	0503010014	3/4" NUT		09
21	0511069419	DEPTH ARM FIXER		01
22	0501010098	3/4" UNC BOLT		02
23	0501010125	3/4" X 2-1/2" BOLT		02
24	0511069421	REAR WHEELS FORK		01
25	0501018535	1/2 X 1 BOLT		02
26	0551018422	SLEEVE 38,5 X 61 X 25		02
27	0502020106	WHEEL		01
28	0503011198	C3/4" X 6" SCREW		01
29	0503011255	3/4" LOCK NUT		01
30	0503010002	1800 GREASE FITTING		01
31	0501047949	DRIVE SHAFT		01



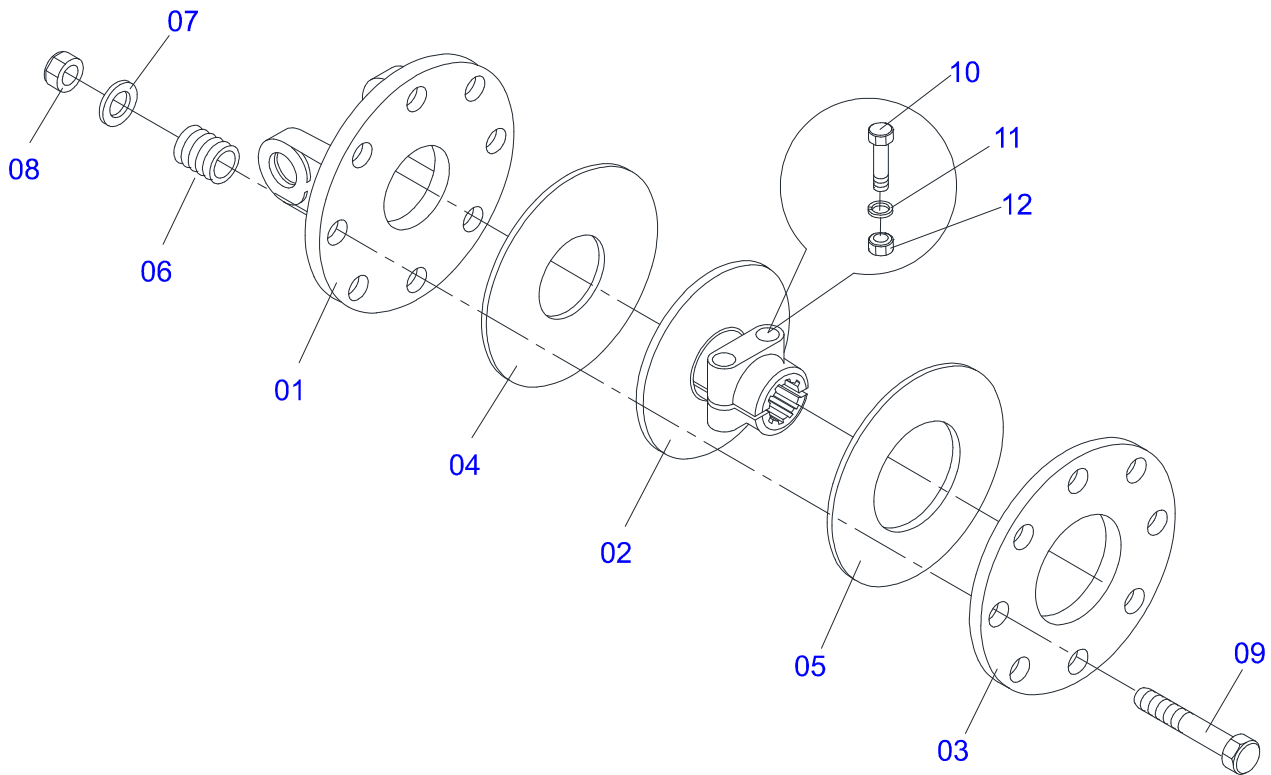
Item	Code	Description	See page	QT
32	0503011981	17.7" CHAIN WITH HOOK/LINK		01
33	0531017832	PROTECTION COVER		01
34	0503010025	3/8" SPRING WASHER		04
35	0503010256	3/8" X 3/4" BOLT		04
36	0501010984	FLAT WASHER		04
37	0501046851	MULTIPLIER	5	01
38	0503013390	3/4" UNC BOLT		04
39	0503011442	3/4" SPRING WASHER		04
40	0511069475	LH FIXER COVER		01
41	0511069476	RIGHT COVER FIXER		01
42	0501058161	CUTTER COMPLETE SUPPORT		01
42A	0502012508	FIXER SUPPORT CUTTERS		01
42B	0622340091	ROTARY CUTTER CM 520 X 3" X 1/2" RC 1200L		02
42C	0541013328	FASTERNER ROCADORES		02
42D	0503011438	SPRING WASHER		02
42E	0503010063	1" SELF-ALIGNING NUT		02
42F	0501017779	32 X 60 X 4.75 FLAT WASHER		01
42G	0503011052	1.1/4" X 0.77" CASTLE NUT		01
42H	0503010067	3/16" X 2.1/2" COTTER PIN		01



Item	Code	Description	See page
00	0501047949	DRIVE SHAFT	01
01	0501051715	UNIVERSAL JOINT	01
02	0501050265	UNIVERSAL JOINT	01
03	0501050333	1-40 TERMINAL WITH HITCH	01
04	0502010565	2-40 TERMINAL W/ SH 1.5"/1.5"	01
05	0503012069	ADAPTER FOR BUSHING PROTECT	01
06	0501017429	31" X 1.5" SQUARE SLEEVE	01
07	0503010836	CARDAN CROSSPIECE	02
08	0503011069	0.4" X 2.8" SPRING PIN	01
09	0503010510	0.2" X 2.6" SPRING PIN	01
10	0501051716	UNIVERSAL JOINT WITH SHAFT	01
11	0501050466	UNIVERSAL JOINT WITH CROSSPIECE	01
12	0501043660	FRICTION	01
13	0502010566	3-40 TERMINAL WITH SH 1.2"/1.2"	01
14	0503012070	ADAPTER FOR AXLE PROTECTION	01
15	0501017425	1.2" X 31.5" SQUARE SHAFT	01
16	0503010361	SPRING PIN	01
17	0503010756	0.2" X 2.4" SPRING PIN	01
18	0501051701	UNIVERSAL JOINT WITH SLEEVE/PROT	01
19	0501051702	UNIVERSAL JOINT WITH AXLE/PROT	01
20	0503012077	PROTECTION ASSY	01
21	0503012078	PROTECTION FOR UNIV JOINT AND SLEEV	01
22	0503012079	PROTECTION FOR UNIV JOINT AND AXLE	01
23	0503012023	CHAIN FOR PROTECTION	02
24	0502010563	1-40 STRIATED 1.3/8" TERMINAL	01
25	0521010638	0.5" X 3.3" QUIC HITCH COUPL SHAFT	01
26	0503030518	0.5"X1.0"X 0.1" COMPRESSION SPRING	01
27	0503010838	0.1" X 0.8" SPRING PIN	01

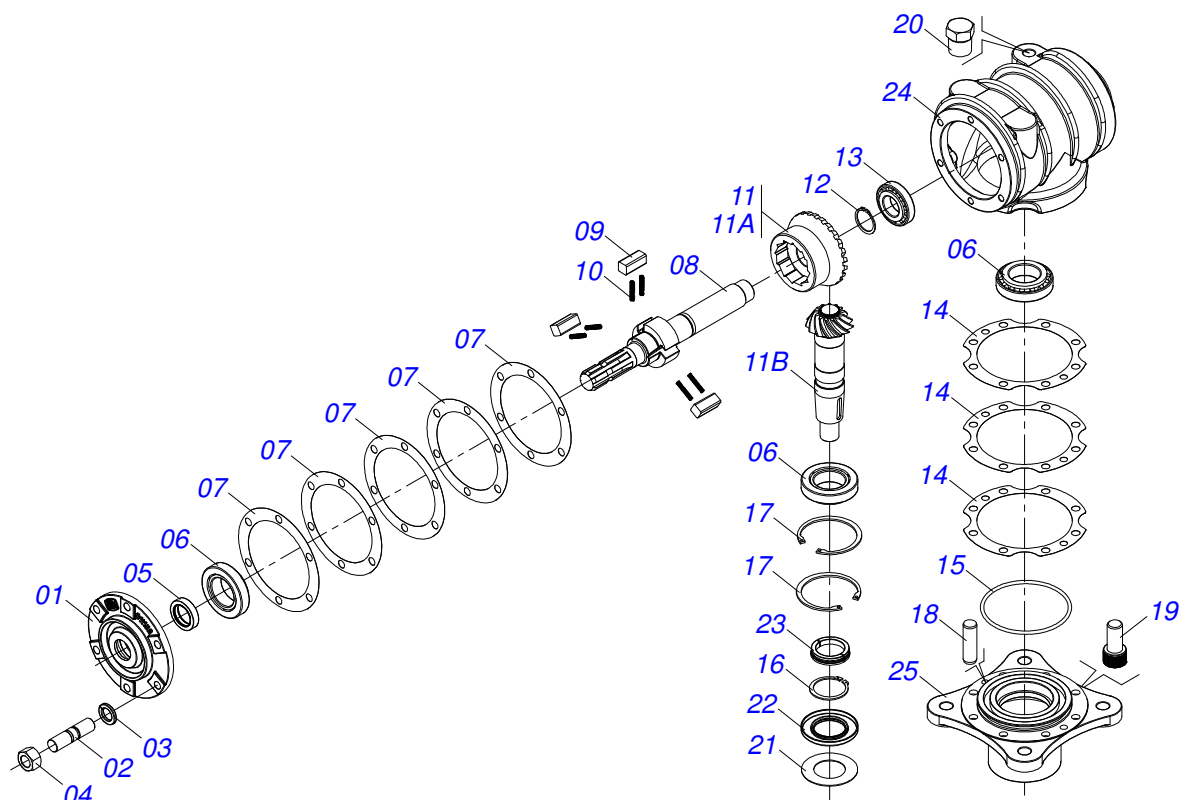


Item	Code	Description	See page	QT
01	0503017647	TERMINAL		01
02	0503017648	TERMINAL		01
03	0503017649	TERMINAL		01
04	0503062339	FRICTION		01
05	0503017652	TUBE		01
06	0503017653	BAR		01
07	0503062340	JOINT		01
08	0503062341	JOINT		01
09	0503017645	HEXAGON BOLT		06
10	0503017646	NUT		06
11	0503017626	COUPLING SHAFT		01
12	0503017627	HITCH SPRING		01
13	0503017628	COTTERPIN		01
14	0503017644	CROSSPIECE		02
15	0503017631	CHAIN ASSY		01
16	0503017632	COVER		01
17	0503017633	COVER		01
18	0503017677	PLASTIC TUBE		01
19	0503017678	PLASTIC TUBE		01
20	0503062352	COMPLETE PROTECTION		01

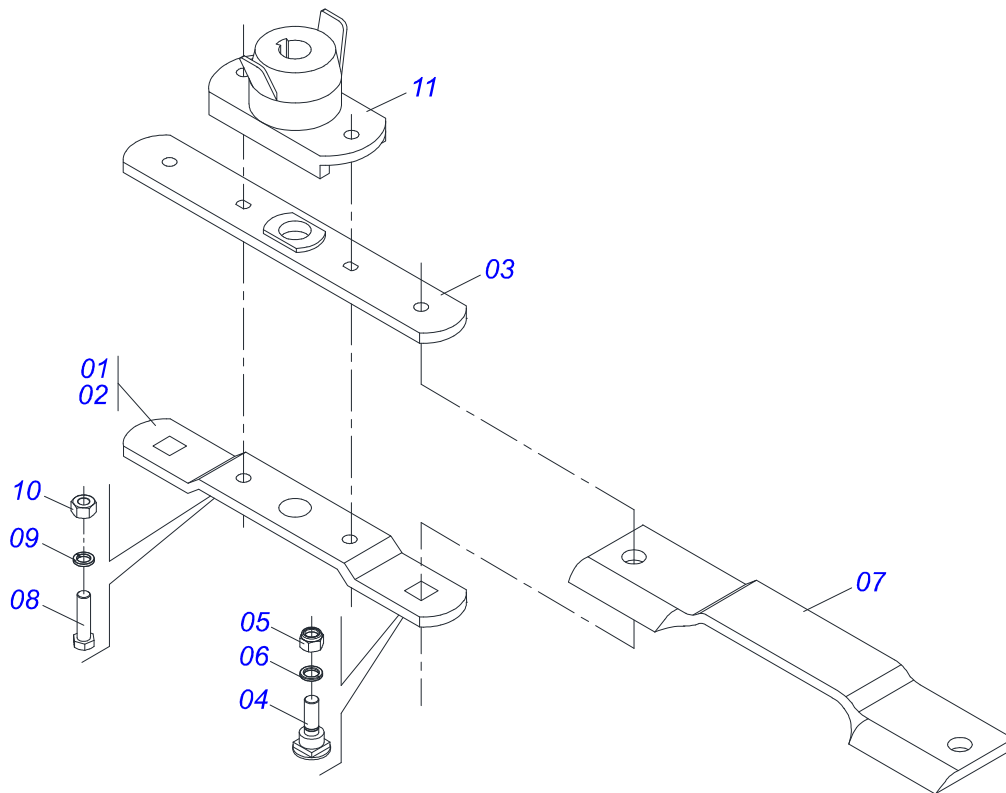


Item	Code	Description	See page	QT
00	0501043660	FRICTION		01
01	0503011868	FRONT FLANGE		01
02	0503011869	CENTRAL FLANGE		01
03	0503011870	REAR FLANGE		01
04	0503031474	INNER FRICTION DISC		01
05	0503031478	OUTER FRICTION DISC		01
06	0503030630	1.02"X1.3"X0.2" COMPRESSION SPRING		08
07	0511017302	FLAT WASHER		08
08	0503011336	1/2" HEX SELF ADJUSTING NUT		08
09	0503010752	1/2" X 3.1/2" BOLT		08
10	0503010741	1/2" X 2-3/4" BOLT		02
11	0503010019	1/2" SPRING WASHER		02
12	0503010060	1/2" NUT		02





Item	Code	Description	See page	QT
01	0502011152	SMALLER COVER		01
02	0503030084	1/2" X 1/2" X 2.0" STUD		06
03	0503011440	SPRING WASHER		06
04	0503010028	1/2" NUT		06
05	0503011171	00912-BRG SEAL		01
06	0503010006	32210 ROLLER BEARING		03
07	0503030783	7.1" X 5.3" X 0.008" JOINT		05
08	0503050063	UPPER AXLE		01
09	0501010649	RATCHET CLICK		03
10	0503030051	0.2" X 1" X 0.1" COMPRESSION SPRING		06
11	0503060210	CROWN PINION SET		01
11A	0503050074	25Z CONICAL GEAR		01
11B	0503061048	PINION		01
12	0503010217	501040 CLAMPING RING (FOR AXLE)		01
13	0503010037	30207 ROLLER BEARING		01
14	0503030785	7.9" X 5.9" X 0.008" JOINT		03
15	0503010286	2-355 N 3006-9B O'RING		01
16	0503010396	501060 CLAMPING RING (FOR AXLE)		01
17	0503011190	SEAL RING		02
18	0503017877	PIN GUIDE		02
19	0503010562	1/2" X 1" BOLT		08
20	0503031604	1/2" BSP PLUG		01
21	0521018064	FLAT WASHER		01
22	0503011047	5089 SEAL		01
23	0511010142	LOCK RING		01
24	0502010984	LEFT MULTIPLIER BOX		01
25	0502011393	LOWER HUB		01



Item	Code	Description	See page	QT
01	0501056326	SUPPORT WITH ROTARY CUTTER BLADES		01
02	0561017368	ROTARY LOWER SUPPORT		01
03	0561017308	SUPPORT UPPER BASE		01
04	0511019000	BOLT		02
05	0503010812	7/8" UNF SELF LOCKING NUT		02
06	0503011447	SPRING WASHER		02
07	0622400057	21.6" X 3.94" X 0.5" ROTARY CUTTER		02
08	0503010901	3/4UNC 3.1/2 BOLT		02
09	0503010023	3/4" SPRING WASHER		02
10	0503010014	3/4" NUT		02
11	0502012453	SUPPORT FLANGE		01



# ANNOTATION

---

---

---

---

---

---

---

---

---

---

---

---

---

---

---

---

---

---

---

---

---

---

---

---

---

---

---

---

---

---





[www.marchesan.com.br](http://www.marchesan.com.br)



**Technical Publications | Elaboration and Revision**  
ALESSANDRA PATRICIA KAWAHARA CARRILI