

# ***PARTS CATALOG***

## **IMPLEMENTS FOR SUGAR CANE**

### **SACML-TC**

**Code: 0501091304**



**Series: S-0311**

**Review: MARÇO/2011**

**ORIGINAL PARTS  
TATU**



# PRODUCTS

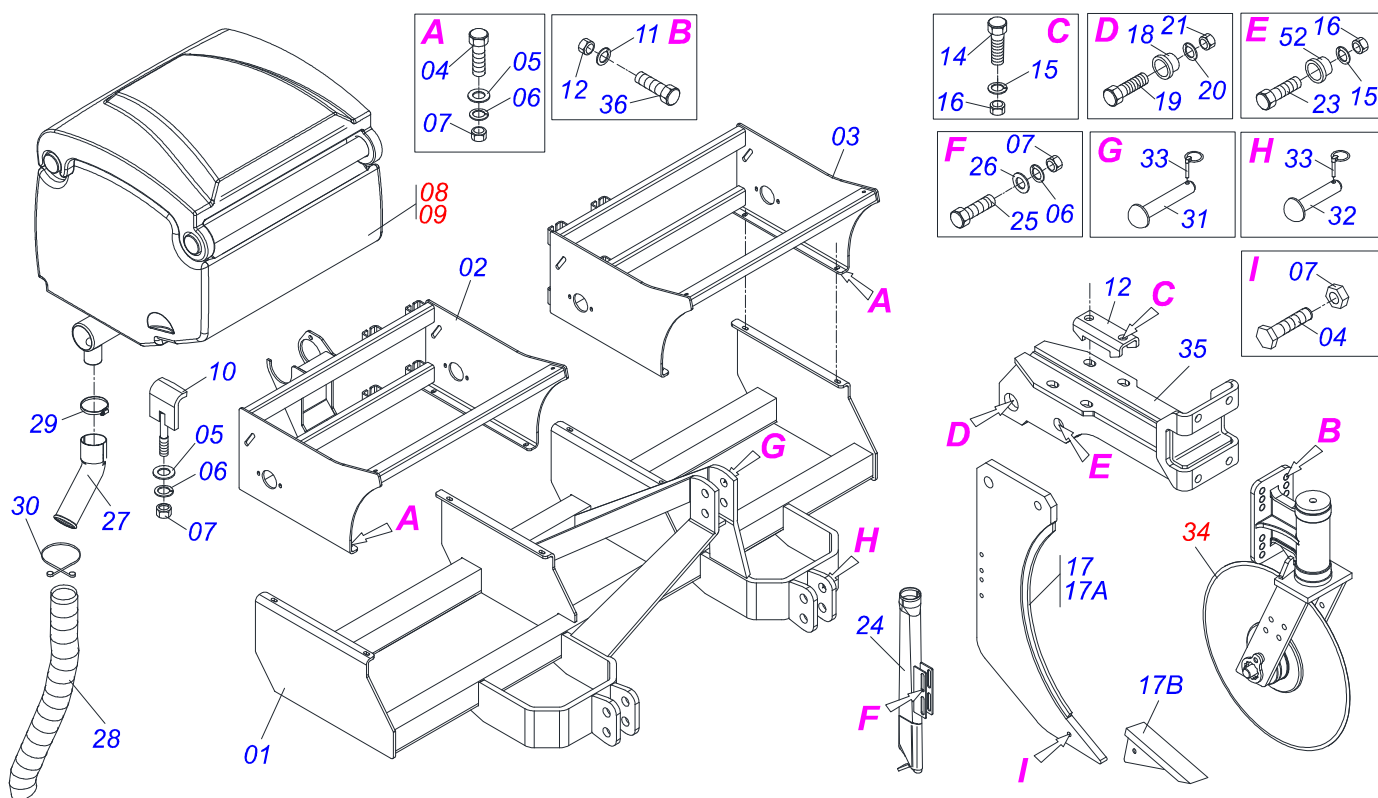
Code	Description
0110030314	SACM/L-TC 800/1600 DC 2H 2RL S-0208

## ATTENTION: **IMPORTANT**

MARCHESAN S/A RESERVES THE RIGHT AT ANY TIME TO MAKE IMPROVEMENTS IN THE DESIGN, MATERIAL OR SPECIFICATIONS OF MACHINERY, EQUIPMENT OR PARTS WITHOUT THEREBY BECOMING LIABLE TO MAKE SIMILAR CHANGES IN MACHINERY, EQUIPMENT OR PARTS PREVIOUSLY SOLD.

# INDEX

0909093220	FRAME ASSY SAM/L-TC	.....	1
0909093221	FERTILIZER BEAM ASSY	.....	2
0511044355	24" BLADE DISC ASSY	.....	3
0909093223	TRANSMISSION	.....	4
0511048303	GEAR BOX ASSY	.....	5
0511048304	GEAR BOX ASSY	.....	6
0909093224	BREAK ROLLER	.....	7



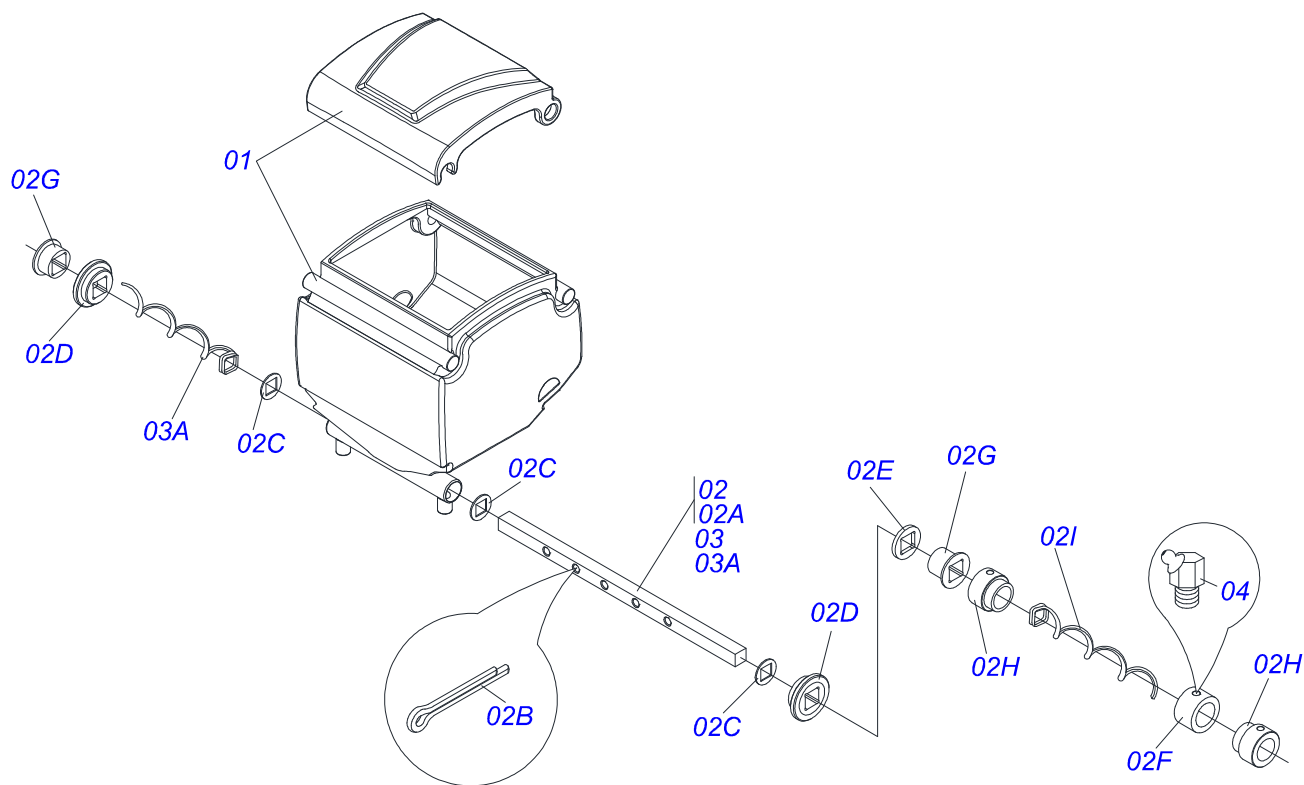
Item	Code	Description	
01	0521060884	FRAME	01
02	0521060886	FERTILIZER SUPPORT RIGHT	01
03	0521060887	LEFT FERTILIZER BEAM SUPPORT	01
04	0503010849	3/8" X 1-1/2" BOLT	09
05	0501010984	FLAT WASHER	20
06	0503010025	3/8 SPRING WASHER	16
07	0503010026	3/8" NUT	20
08	0501059585	RH FERTILIZER BEAM SUPPORT	01
09	0501059586	FERTILIZER BEAN LEFT	01
10	0521061355	FERTILIZER BEAM CLAMP	04
11	0503010023	SPRING WASHER	08
12	0503010014	3/4" NUT	08
13	0551011189	FIXER MOBILE FRAME	04
14	0501011545	3/4" X 6-1/2" BOLT	08
15	0503010023	SPRING WASHER	10
16	0503010014	3/4" NUT	10
17	0501059591	SCARIFIER SPINDLE	02
17A	0521061199	SUBSOILER ROD	01
17B	0511067843	POINT SUBSOILER	01
18	0551011192	25,80 X 50,80 X 26 SLEEVE	04
19	0501010392	1" X 5" BOLT	02
20	0503010012	1" SPRING WASHER	02
21	0501010059	1.5/8 NUT	02
22	0551011191	19,84 X 38,10 X 26 SLEEVE	04
23	0503011328	3/4" X 4" BOLT	02
24	0521061201	STRAIGHT CUBA CONDUCTOR	02
25	0503011404	3/8" X 1-3/4" BOLT	04
26	0501013518	FLAT WASHER	08
27	0503031826	CURVED CONDUCTOR	02
28	0503030645	7 X 2 X 225 HOSE	02
29	0503010246	CLAMP	04
30	0503031076	2" HOSE CLAMP	02
31	0521010595	1.1" X 4.3" COUPLING SHAFT	01



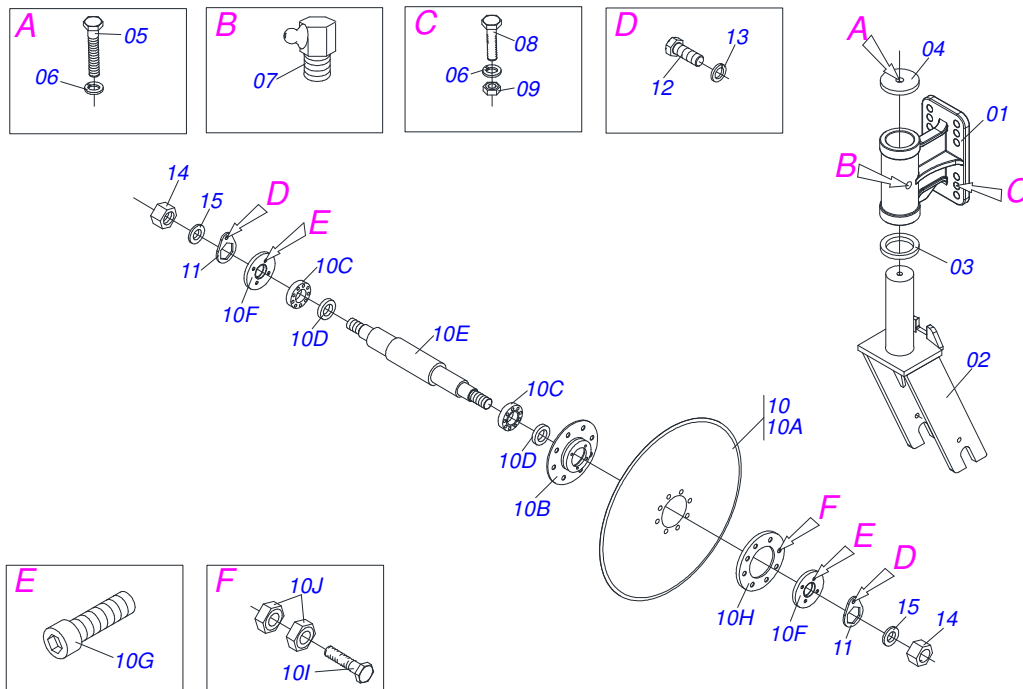
**SACML-TC**  
**FRAME ASSY SAM/L-TC**

Page 1  
0909093220

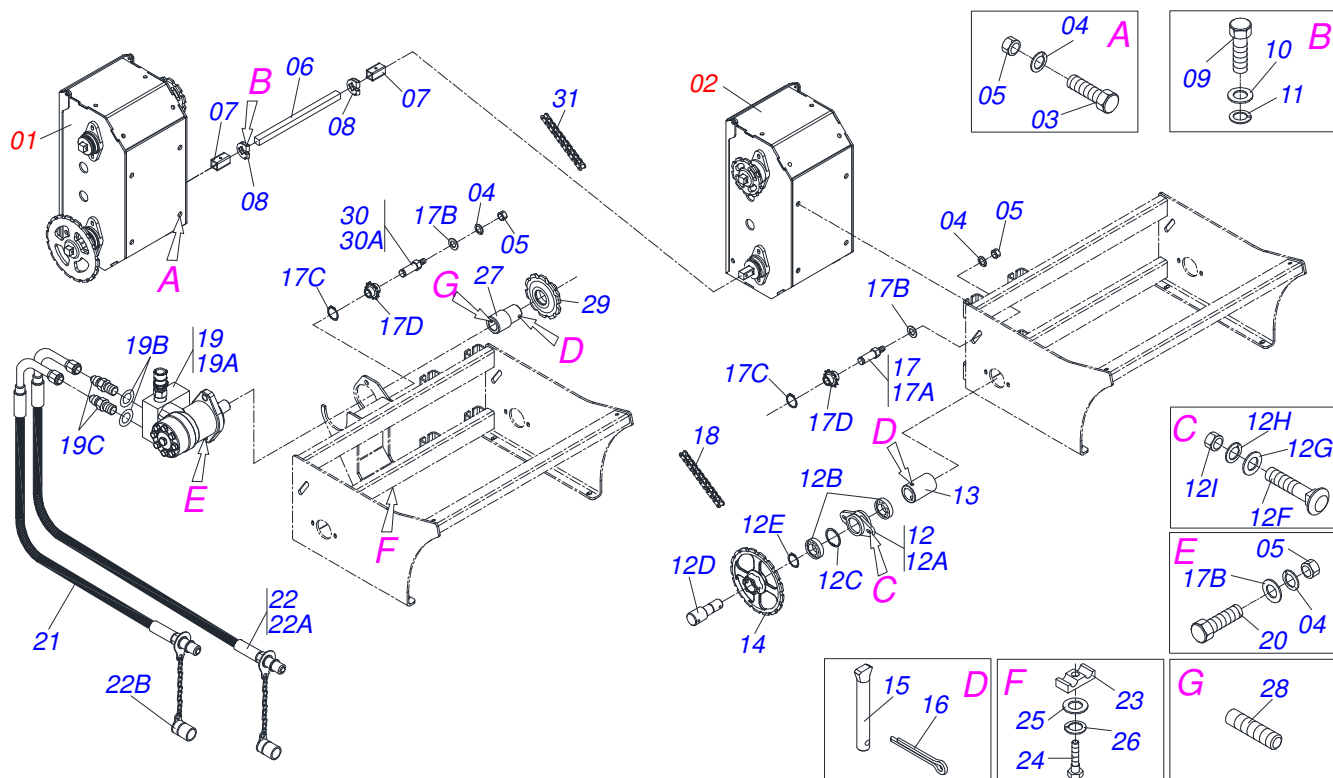
<b>Item</b>	<b>Code</b>	<b>Description</b>	
32	0521010579	COUPLING SHAFT	02
33	0503030085	LOCK PIN	03
34	0511044355	24" BLADE DISC ASSY	02
35	0521060885	MOBILE FRAME GAT 1000	02
36	0503010901	3/4UNC 3.1/2 BOLT	08



Item	Code	Description	DIR ESQ
01	0503061755	COVER GREEN BEAM FERTILIZER YELLOW	01 01
02	0501059587	AXLE ASSY	01 01
02A	0561013098	DISTRIBUTOR FERTILIZER AXLE	01 01
02B	0503010571	1/4" X 1.1/2 COTTERPIN	04 04
02C	0501010637	FLAT WASHER	03 03
02D	0503031527	AGRICULTURAL BEARING	02 02
02E	0501013774	GREASE SEAL	01 01
02F	0502011681	GUIDES AXLE FERTILIZER SLEEVE CENTE	01 01
02G	0503030275	AGRICULTURAL BEARING	02 02
02H	0502020646	FERTILIZER AXLE SLEVE GUIDES	02 02
02I	0503031484	RIGHT HELICAL SPRING	01 00
03	0501059588	FERTILIZER BEAM AXLE ASSY	00 01
03A	0503031489	RIGHT HELICAL SPRING	01 00
04	0503012102	CREASE FITTING	03 03



Item	Code	Description	
01	0502012370	WITH BLADE DISC SUPPORT	01
02	0511067105	BLADE DISC FORK	01
03	0541018869	FLAT WASHER	01
04	0541018868	FLAT WASHER	01
05	0501010098	HEX BOLT 3/4 UNC X 2 C S G.5 ZN	01
06	0503010023	SPRING WASHER	05
07	0503010004	1890 GREASE FITTING	01
08	0501010500	3/4"X3"BOLT	04
09	0503010014	3/4" NUT	04
10	0501056943	24" BLADE DISC	01
10A	0603030044	24" X 0.2" FLAT PLAIN DISC	01
10B	0502011478	DISC HUB	01
10C	0503011291	6209 BALL BEARING	02
10D	0503012106	00521-BR SEAL	02
10E	0521012661	BLADE DISC AXLE HUB	01
10F	0502011477	BLADE DISC HOUSIG CP	02
10G	0521011824	BLADE DISC FLANGE OUTER	01
10H	0503010134	3/8" X 1" BOLT	08
10I	0503011172	1/2" X 2-1/2" BOLT	08
10J	0503010060	1/2" NUT	16
11	0501069637	AXLE NUT LOCK	02
12	0503010962	5/8" X 1-1/4" BOLT	02
13	0503010027	SPRING WASHER	02
14	0521012664	FLAT WASHER	02
15	0501010087	1.1/4" NUT	02



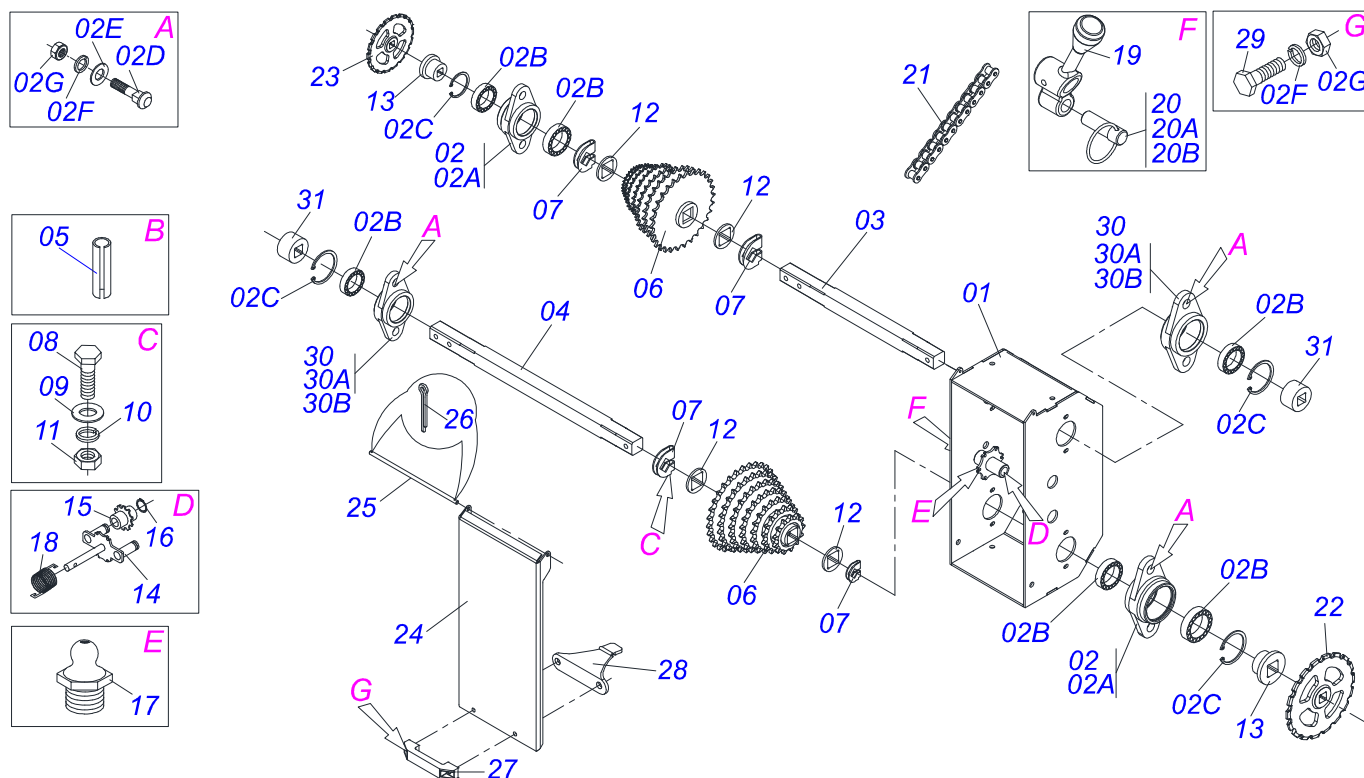
Item	Code	Description	QT
01	0511048303	GEAR BOX ASSY	01
02	0511048304	GEAR BOX ASSY	01
03	0501010161	1/2" X 1.1/4" BOLT	08
04	0503010019	1/2" SPRING WASHER	12
05	0503010060	1/2" NUT	12
06	0561013092	SQUARE SHAFT	01
07	0502012587	BUSHING	02
08	0521010691	AXLE FASTENER	02
09	0503010373	1/4" X 2" BOLT	02
10	0511017303	FLAT WASHER	02
11	0503010143	SPRING WASHER	02
12	0501059590	BEARING DOBLE	02
12A	0502011987	DOUBLE HOUSING BEARING	01
12B	0503011410	ROLLER BEARING	02
12C	0503011105	SEAL RING	01
12D	0561013109	AXLE BEARING DOBLE	01
12E	0503010406	501025 CLAMPING RING (FOR AXLE)	01
12F	0503011953	5/16" X 1" BOLT	02
12G	0501010694	FLAT WASHER	02
12H	0503010179	SPRING WASHER	02
12I	0503010337	5/16" NUT	02
13	0561013096	SLEEVE COUPLING	02
14	0502011345	18Z P 1.25" RH1.3/8" GEAR	02
15	0521010530	COUPLING SHAFT	05
16	0503010140	1/8" X 3/4" COTTERPIN	05
17	0501059592	CHAIN TENSIONER	02
17A	0561013049	CHAIN TIGHTENER AXLE	01
17B	0501010937	FLAT WASHER	04
17C	0503010302	501019 SEAL RING	02
17D	0503031806	9Z X P 5/8" GEAR	02
18	0503011090	2050 CHAIN X 29 LINK + MENDING	02
19	0501053421	VALVE MOTOR HYDRAULIC ASSY	01
19A	0503012829	VALVE HYDRAULIC MOTOR ASSY	01





**SACML-TC**  
**TRANSMISSION**

<b>Item</b>	<b>Code</b>	<b>Description</b>	<b>QT</b>
19B	0503010045	2-116 N 3006-9B O'RING	02
19C	0501010590	7/8" REDUCTION NIPPLE	02
20	0503010239	1/2" X 1-1/2" BOLT	02
21	0501080097	1/2" X 98" TC-TM HOSE ASSY	02
22	0501053834	QUICK CONECTION (MALE) 1/2	02
22A	0503011627	QUICK CONNECTION (MALE) AGR 1/2 NPT	01
22B	0503011882	QUICK CONNECTION COVER	01
23	0502010477	UPPER CLIP	01
24	0503010751	C3/8" X 1.1/4" HEX BOLT G.5	01
25	0501010984	FLAT WASHER	01
26	0503010025	3/8 SPRING WASHER	01
27	0561013108	HIDRAULIC MOTOR AXLE	01
28	0503011807	M 8 X 1,25 X 10 BOLT	02
29	0502010411	10Z GEAR	01
30	0501059593	CHAIN TENSIONER	01
30A	0561013048	AXLE CHAIN TIGHTENER	01
31	0503010679	2050 CHAIN X 36 LINK + REDUCTION	01



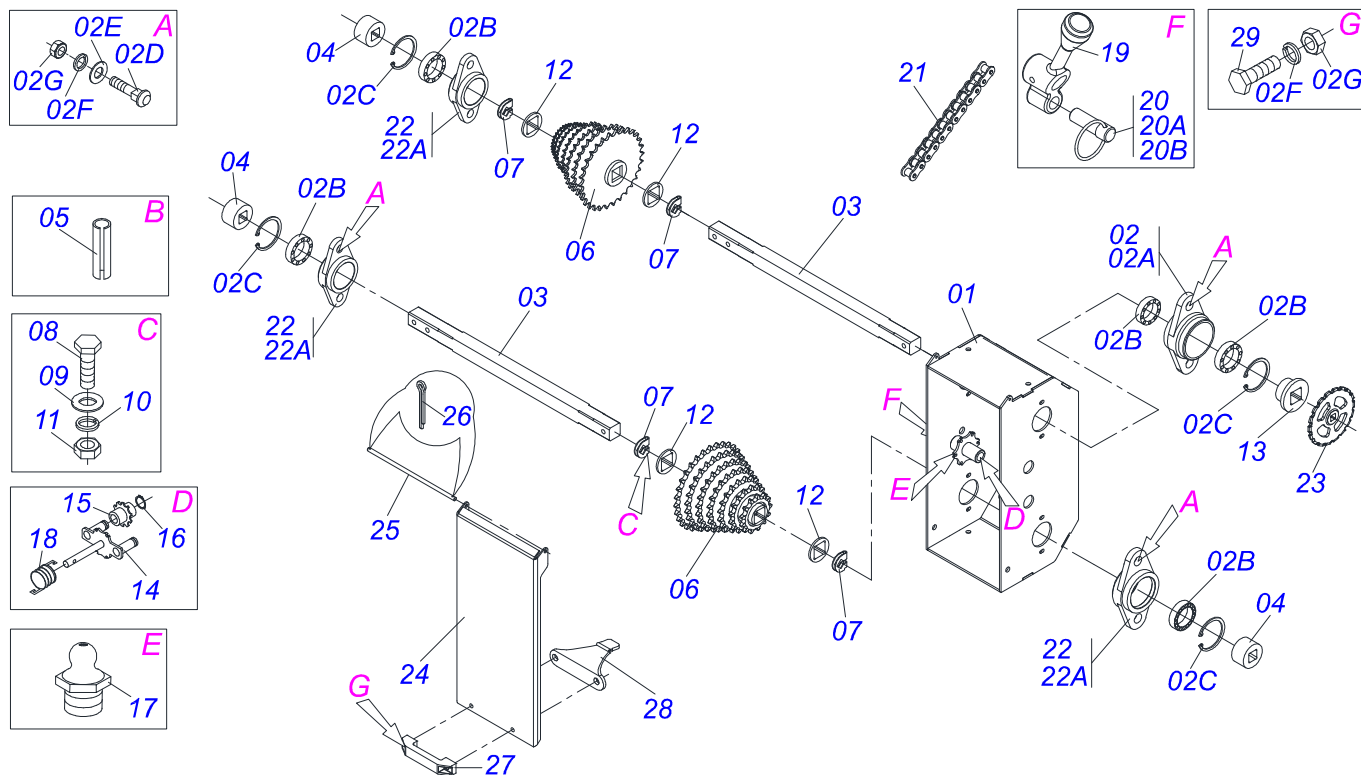
Item	Code	Description	QT
00	0511048303	GEAR BOX ASSY	01
01	0521060891	GEAR BOX	01
02	0501053361	SPEED DOUB BEARING VARIADOR	02
02A	0502011987	DOUBLE HOUSING BEARING	02
02B	0503011410	ROLLER BEARING	06
02C	0503011105	SEAL RING	04
02D	0503011953	5/16" X 1" BOLT	08
02E	0501010694	FLAT WASHER	08
02F	0503010179	SPRING WASHER	10
02G	0503010337	5/16" NUT	10
03	0541019907	AXLE SQUARE	01
04	0561013097	MOTOR SHAFT	01
05	0503010292	0.2" X 1.6" SPRING PIN	07
06	0501069700	FERTILIZER GEAR ASSY	02
07	0521010691	AXLE FASTENER	04
08	0503010373	1/4" X 2" BOLT	04
09	0511017303	FLAT WASHER	04
10	0503010143	SPRING WASHER	04
11	0503010144	1/4" NUT	04
12	0521018630	1.4" X SQUARE 0.8" WASHER	04
13	0503031527	AGRICULTURAL BEARING	02
14	0511060393	CHAIN TENSIONER ASSY	01
15	0503031805	11Z 1/2" GEAR	02
16	0503010302	501019 SEAL RING	02
17	0503010002	1800 GREASE FITTING	01
18	0503031367	SPRING	01
19	0502011758	REAR TENSIONER LEVER	01
20	0501048790	AXLE WITH LINK ASSY	01
20A	0521012476	GEAR BOX LEVER AXLE	01
20B	0503031369	LINK	01
21	0503012143	78 CHAIN X 40-1 LINK + REDUCTION	01
22	0502011349	18Z P 1.2" SH 3/4" GEAR	01
23	0502011318	10Z GEAR	01



**SACML-TC**  
**GEAR BOX ASSY**

Page 5  
0511048303

<b>Item</b>	<b>Code</b>	<b>Description</b>	<b>QT</b>
24	0561013091	REAR COVER	01
25	0561013050	COVER SHAFT	01
26	0503010257	1/8" X 1" COTTERPIN	02
27	0503011957	PMC 596-S NYLON LUG	01
28	0561013106	COVER SHAFT	01
29	0503010363	5/16" X 1" BOLT	02
30	0501053120	BEARING ASSY OF THE GEAR BOX	02
30A	0501052759	BEARING OF THE GEAR BOX ASSY	02
30B	0502011697	BEARING OF THE GEAR BOX	02



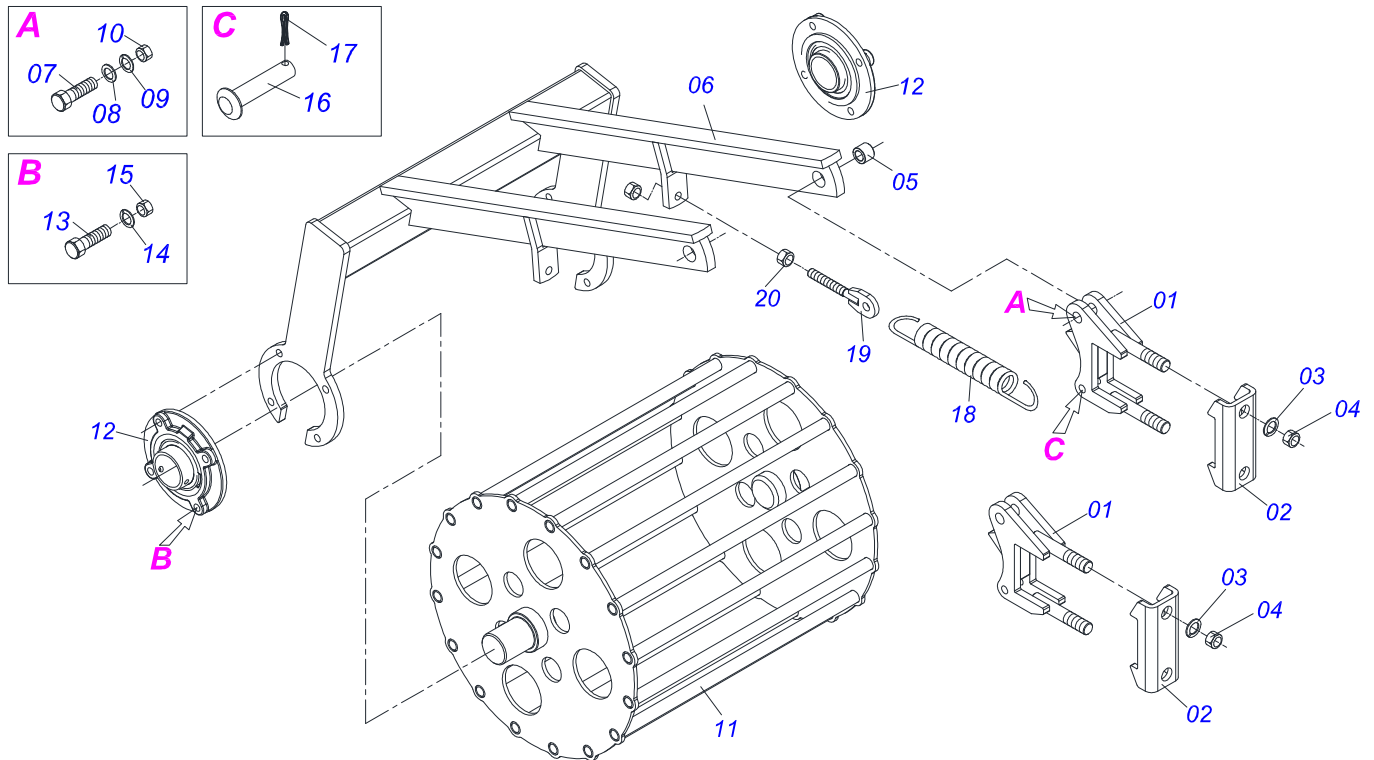
Item	Code	Description	QT
00	0511048304	GEAR BOX ASSY	01
01	0521060891	GEAR BOX	01
02	0501053361	SPEED DOUB BEARING VARIADOR	01
02A	0502011987	DOUBLE HOUSING BEARING	01
02B	0503011410	ROLLER BEARING	02
02C	0503011105	SEAL RING	04
02D	0503011953	5/16" X 1" BOLT	08
02E	0501010694	FLAT WASHER	08
02F	0503010179	SPRING WASHER	10
02G	0503010337	5/16" NUT	10
03	0541019907	AXLE SQUARE	02
04	0571011759	AGRICULTURAL BEARING	03
05	0503010292	0.2" X 1.6" SPRING PIN	06
06	0501069700	FERTILIZER GEAR ASSY	02
07	0521010691	AXLE FASTENER	04
08	0503010373	1/4" X 2" BOLT	04
09	0511017303	FLAT WASHER	04
10	0503010143	SPRING WASHER	04
11	0503010144	1/4" NUT	04
12	0521018630	1.4" X SQUARE 0.8" WASHER	04
13	0503031527	AGRICULTURAL BEARING	01
14	0511060393	CHAIN TENSIONER ASSY	02
15	0503031805	11Z 1/2" GEAR	02
16	0503010302	501019 SEAL RING	02
17	0503010002	1800 GREASE FITTING	01
18	0503031367	SPRING	01
19	0502011758	REAR TENSIONER LEVER	01
20	0501048790	AXLE WITH LINK ASSY	01
20A	0521012476	GEAR BOX LEVER AXLE	02
20B	0503031369	LINK	02
21	0503012143	78 CHAIN X 40-1 LINK + REDUCTION	01
22	0501053120	BEARING ASSY OF THE GEAR BOX	03
22A	0501052759	BEARING OF THE GEAR BOX ASSY	03



**SACML-TC**  
**GEAR BOX ASSY**

Page 6  
0511048304

<b>Item</b>	<b>Code</b>	<b>Description</b>	<b>QT</b>
23	0502011318	10Z GEAR	01
24	0561013091	REAR COVER	01
25	0561013050	COVER SHAFT	01
26	0503010257	1/8" X 1" COTTERPIN	02
27	0503011957	PMC 596-S NYLON LUG	01
28	0561013106	COVER SHAFT	01
29	0503010363	5/16" X 1" BOLT	02



Item	Code	Description	
01	0521061205	BREAK ROLLER SUPPORT	02
02	0551011189	FIXER MOBILE FRAME	02
03	0503010023	SPRING WASHER	04
04	0503010014	3/4" NUT	04
05	0521010479	SLEEVE ARTICULATION	02
06	0521060888	BREAK ROLLER SUPPORT	01
07	0503010233	5/8" X 2-1/2" BOLT	02
08	0501012140	FLAT WASHER	02
09	0503010027	SPRING WASHER	02
10	0503010013	5/8" NUT	02
11	0521060889	BREAK ROLLER	01
12	0503013156	BEARING WITH BALL	02
13	0503011195	7/16" X 1.3/4" BOLT	08
14	0503010180	7/16" SPRING WASHER	08
15	0503010244	7/16" NUT	08
16	0521010549	COUPLING SHAFT	02
17	0503030168	HAIR PIN	02
18	0503031741	1.8" X 11.4" 0.3" TRACTION SPRING	02
19	0521061356	SPRING TENSIONER ASSY	02
20	0503010060	1/2" NUT	04

# ANNOTATIONS

Lined area for annotations, containing 25 horizontal lines.



**MARCHESAN**

**MARCHESAN IMPLEMENTOS E MÁQUINAS AGRÍCOLAS TATU S.A.**

AV. Marchesan, 1979 - Post office box, 131 - CEP 15994-900 - Matão - SP - Brazil

Phone +55 16.3382-8282

(FAX Parts) + 55 16.3382. 8297 - (Export) + 55 16.3382.1003

e.mail: [tatu@marchesan.com.br](mailto:tatu@marchesan.com.br) [www.marchesan.com.br](http://www.marchesan.com.br)

**Technical Publications: Elaboration**

ALESSANDRA PATRICIA KAWAHARA CARRILI

*Contact Catálogo:*

*E-mail = [jgaspari@marchesan.com.br](mailto:jgaspari@marchesan.com.br)*

**ORIGINAL PARTS  
TATU**



**MARCHESAN**