

**IMPLEMENTS FOR SUGAR CANE**

## **SA/LT - HYDRAULIC/MECHANICAL**

**Code:** 0501091302

**Series:** S-0306

**Revision:** 00

**Date Revision:** ABRIL/2023

# **PARTS CATALOGUE**



**MARCHESAN**



# PRODUCTS

Code	Description	
0110020060	SA/L-T 2L 2SC	S-0306
0110020054	SA/L-T 2L 2SC DC	S-0306
0110020057	SA/L-T MC 2L 2SC	S-0306
0110020055	SA/L-T MC 2L 2SC DC	S-0306

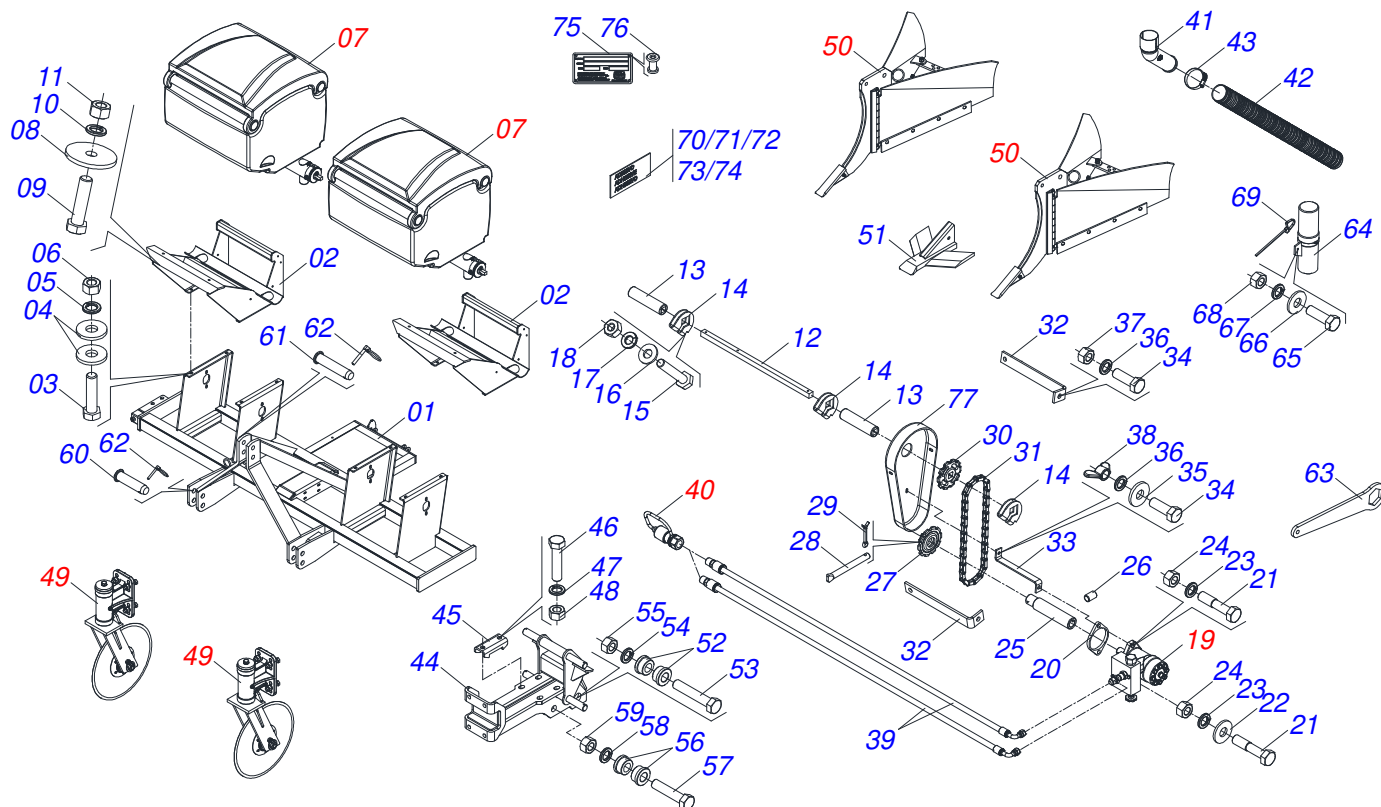
## ATTENTION: IMPORTANT

Marchesan S.A. reserves the right to improve and/or modify the technical features of its products, without obligation to do the same with those products already sold and without prior knowledge of the dealer or the customer. The photos are only illustrative.



# INDEX

0909091466	FRAME HYDRAULIC	.....	1
0909091465	FRAME MECHANICAL	.....	2
0501057078	BEAN FERTILIZER ASSY	.....	3
0501053421	ASSY HYDRAULIC MOTOR WITH VALVE	.....	4
0501053834	MALE QUICK COUPLER	.....	5
0511045044	20" BLADE DISC ASSY	.....	6
0511045864	LIGHT FURROWER ARM	.....	7
0501056287	SPEED BOX VARIADOR	.....	8
0501048790	AXLE WITH RING	.....	9
0501057763	ARM/DISARMENT ROD ASSY	.....	10



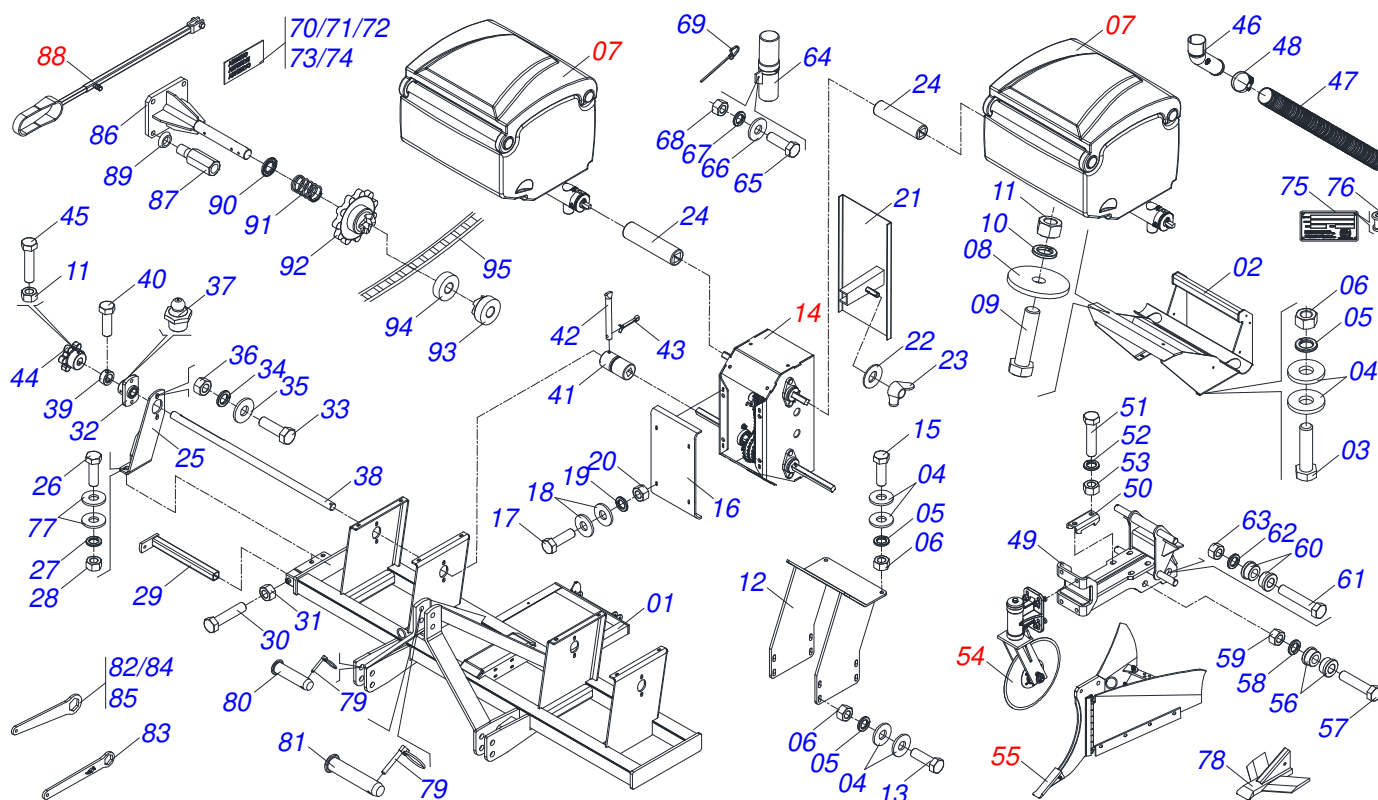
Item	Code	Description	See page	QT
01	0511067623	FRAME		01
02	0511067625	FERTILIZER BEAM SUPPORT		02
03	0503010849	3/8" X 1-1/2" BOLT		08
04	0501010984	10,50 X 27 X 3,00 FLAT WASHER		16
05	0503010025	3/8 SPRING WASHER		08
06	0503010026	3/8" NUT		08
07	0501057078	BEAN FERTILIZER ASSY	3	02
08	0501010145	FLAT WASHER		04
09	0503010740	BOLT 1/2 UNC X 2 CS G.5 ZN		04
10	0503010019	1/2" SPRING WASHER		04
11	0503010060	1/2 UNC G.5 ZN HEX NUT		04
12	0511011539	3/4" SQUARE SHAFT		01
13	1902012007	GLOVE WITH SQUARE HOLE 19.3/19.5		02
14	0521010691	AXLE FASTENER		03
15	0503010373	SCREW 1/4 UNC X 2 CS G.2 ZN		03
16	0511017303	FLAT WASHER		03
17	0503010143	1/4" SPRING WASHER		03
18	0503010144	1/4" NUT		03
19	0501053421	ASSY HYDRAULIC MOTOR WITH VALVE	4	01
20	0541019115	HYDRAULIC MOTOR FLANGE		01
21	0503011172	BOLT 1/2 UNC X 2.1/2 C S G.5 ZN		02
22	0511017302	FLAT WASHER 13,50 X 32,50 X 3,0 ZN		01
23	0503010019	1/2" SPRING WASHER		02
24	0503010060	1/2 UNC G.5 ZN HEX NUT		02
25	0561016114	HIDRAULIC MOTOR AXLE		01
26	0503011807	SCREW M8 X 1,25X10		02
27	0502011317	10Z P 1.2" RH 1.3/8" GEAR		01
28	0521010530	JUNCTION AXLE 6,80 X 60		01
29	0503010140	1/8" X 3/4" COTTERPIN		01
30	0502011318	10Z GEAR		01
31	0503013996	2050 CHAIN X 28 LINK + REDUCTION		01



## FRAME HYDRAULIC

0909091466

Item	Code	Description	See page	QT
32	0541019406	CHAIN CAP UPPER SUPPORT		02
33	0541019404	CHAIN CAP LOWER SUPPORT		01
34	0503011087	3/8" X 1" BOLT		05
35	0501010984	10,50 X 27 X 3,00 FLAT WASHER		03
36	0503010025	3/8 SPRING WASHER		05
37	0503010026	3/8" NUT		02
38	0503010209	3/8" UNC BUTTERFLY NUT		03
39	0501080097	HOSE 1/2 X 2500 TC-TM		02
40	0501053834	MALE QUICK COUPLER	5	02
41	0503031050	CURVED CONDUCTOR		04
42	0521015491	2" X 1200 HOSE		04
43	0503010246	CLAMP		04
44	0511067624	MOBILE FRAME		02
45	0551011189	FIXER MOBILE FRAME		04
46	0501011545	3/4" X 6-1/2" BOLT		08
47	0503010023	3/4" SPRING WASHER		08
48	0503010014	3/4" HEX NUT		08
49	0511045044	20" BLADE DISC ASSY	6	02
50	0511045864	LIGHT FURROWER ARM	7	02
51	0511067840	FURROWER TIP		01
52	0551011192	25,80 X 50,80 X 26 SLEEVE		04
53	0501010392	1" X 5" BOLT		02
54	0503010012	1" SPRING WASHER		02
55	0501010059	1.5/8 NUT		02
56	0551011191	19,84 X 38,10 X 26 SLEEVE		04
57	0503011328	3/4" X 4" BOLT		02
58	0503010023	3/4" SPRING WASHER		02
59	0503010014	3/4" HEX NUT		02
60	0521010595	1.1" X 4.3" COUPLING SHAFT		02
61	0521010579	COUPLING SHAFT		01
62	0503030085	LOCK PIN		03
63	0521012199	1.6" CABLE FLAT WRENCH		01
64	0503060100	INSTRUCTIONS MANUAL CANISTER		01
65	0503010371	5/16" X 1" BOLT		01
66	0501010984	10,50 X 27 X 3,00 FLAT WASHER		01
67	0503010179	LOCK WASHER 5/16 ZN 1K01528		01
68	0503010337	5/16" NUT		01
69	0503010267	NYLON CLAMP		01
70	0503061588	ADHESIVE LABELS SET		01
71	0503031942	ADHESIVE LABEL		01
72	0503031919	ADHESIVE LABEL ENGINE ROTATING DIRECTION		01
73	0503031428	READ MANUAL DECAL		01
74	0503031827	LUBRICATE AND RETIGHTEN DAILY DECAL		01
75	0503034003	SERIAL NUMBER TAG 61 X 118		01
76	0503010001	3.2 X 5.5 RIVET		04
77	0503032920	CHAIN CAP		01



Item	Code	Description	See page	QT
01	0511067623	FRAME		01
02	0511067625	FERTILIZER BEAM SUPPORT		02
03	0503010849	3/8" X 1-1/2" BOLT		08
04	0501010984	10,50 X 27 X 3,00 FLAT WASHER		16
05	0503010025	3/8 SPRING WASHER		08
06	0503010026	3/8" NUT		08
07	0501057078	BEAN FERTILIZER ASSY	3	02
08	0501010145	FLAT WASHER		04
09	0503010740	BOLT 1/2 UNC X 2 CS G.5 ZN		04
10	0503010019	1/2" SPRING WASHER		04
11	0503010060	1/2 UNC G.5 ZN HEX NUT		04
12	0511067107	SPEED SUPPORT VARIADOR		01
13	0503010751	C3/8" X 1.1/4" HEX BOLT G.5		08
14	0501056287	SPEED BOX VARIADOR	8	01
15	0503011087	3/8" X 1" BOLT		04
16	0541019052	SPEED COVER VARIADOR		01
17	0503010461	1/4" X 1" BOLT		04
18	0511017303	FLAT WASHER		08
19	0503010143	1/4" SPRING WASHER		04
20	0503010144	1/4" NUT		04
21	0511066626	SPEED COVER BOX		01
22	0521013303	WASHER		01
23	0503010499	5/16 UNC BUTTERFLY NUT		01
24	1902012007	GLOVE WITH SQUARE HOLE 19.3/19.5		02
25	0511068170	SUPPORT BEARING		01
26	0501010100	SCREW 5/8 UNC X 2 CS G.5 ZN		02
27	0503010027	5/8 SPRING WASHER		02
28	0503010013	5/8 NUT		02
29	0511068171	EAR DRIVING		01
30	0503010232	5/8" X 1.3/4" BOLT		01
31	0503010013	5/8 NUT		01



## FRAME MECHANICAL

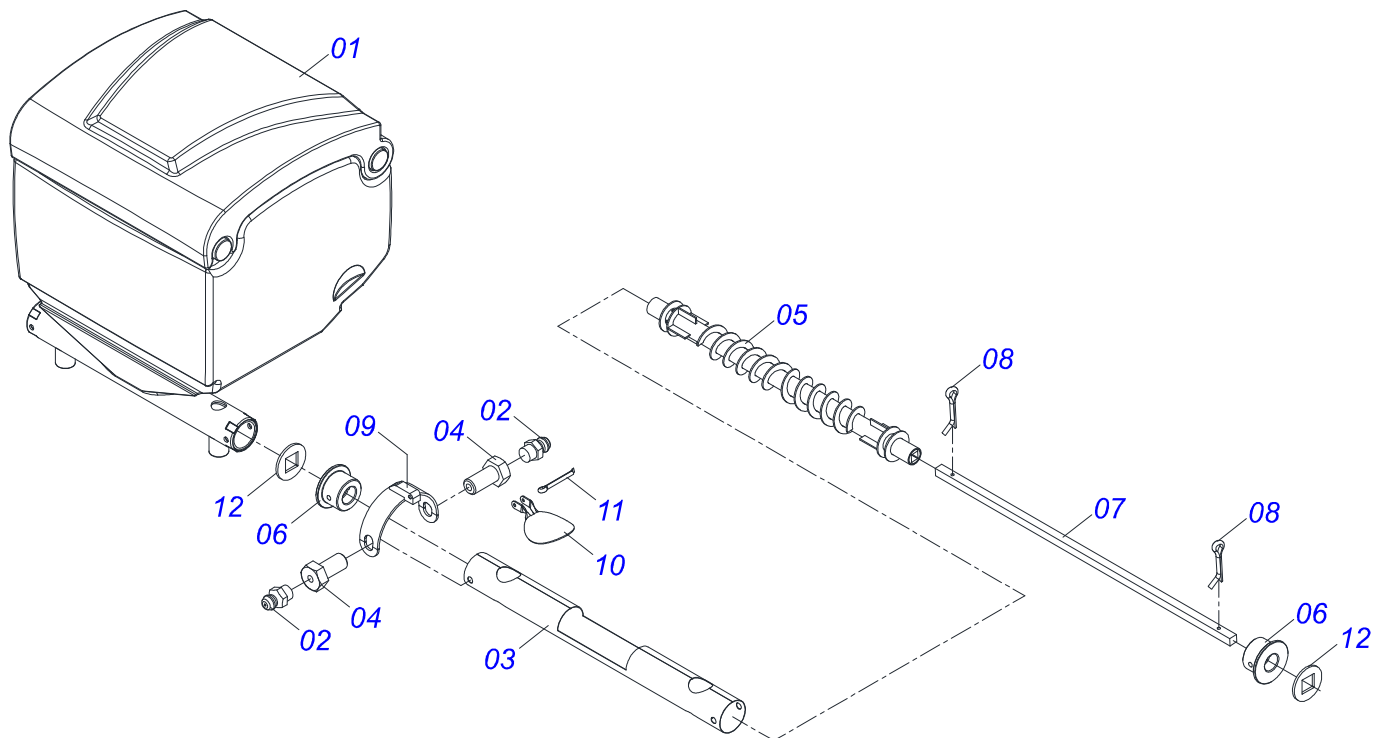
0909091465

Item	Code	Description	See page	QT
32	0501110014	AGRICULTURAL BEARING		01
33	0501010077	1/2" X 2" BOLT		02
34	0503010019	1/2" SPRING WASHER		02
35	0511017302	FLAT WASHER 13,50 X 32,50 X 3,0 ZN		01
36	0503010060	1/2 UNC G.5 ZN HEX NUT		02
37	0503010002	1800 GREASE FITTING		01
38	0541018896	DRIVER AXLE		01
39	0501010783	DRIVING AXLE LUCK		01
40	0503013662	1/2" X 1" BOLT		01
41	0511067108	SLEEVE AXLE DRIVING		01
42	0521010530	JUNCTION AXLE 6,80 X 60		01
43	0503010140	1/8" X 3/4" COTTERPIN		01
44	0502011311	6Z GEAR		01
45	0501010077	1/2" X 2" BOLT		02
46	0503031050	CURVED CONDUCTOR		04
47	0521015491	2" X 1200 HOSE		04
48	0503010246	CLAMP		04
49	0511067624	MOBILE FRAME		02
50	0551011189	FIXER MOBILE FRAME		04
51	0501011545	3/4" X 6-1/2" BOLT		08
52	0503010023	3/4" SPRING WASHER		08
53	0503010014	3/4" HEX NUT		08
54	0511045044	20" BLADE DISC ASSY	6	02
55	0511045864	LIGHT FURROWER ARM	7	02
56	0551011192	25,80 X 50,80 X 26 SLEEVE		04
57	0501010392	1" X 5" BOLT		02
58	0503010012	1" SPRING WASHER		02
59	0501010059	1.5/8 NUT		02
60	0551011191	19,84 X 38,10 X 26 SLEEVE		04
61	0503011328	3/4" X 4" BOLT		02
62	0503010023	3/4" SPRING WASHER		02
63	0503010014	3/4" HEX NUT		02
64	0503060100	INSTRUCTIONS MANUAL CANISTER		01
65	0503010371	5/16" X 1" BOLT		01
66	0501010984	10,50 X 27 X 3,00 FLAT WASHER		01
67	0503010179	LOCK WASHER 5/16 ZN 1K01528		01
68	0503010337	5/16" NUT		01
69	0503010267	NYLON CLAMP		01
70	0503061588	ADHESIVE LABELS SET		01
71	0503031942	ADHESIVE LABEL		01
72	0503031919	ADHESIVE LABEL ENGINE ROTATING DIRECTION		01
73	0503031428	READ MANUAL DECAL		01
74	0503031827	LUBRICATE AND RETIGHTEN DAILY DECAL		01
75	0503034003	SERIAL NUMBER TAG 61 X 118		01
76	0503010001	3.2 X 5.5 RIVET		04
77	0501012140	FLAT WASHER		04
78	0511067840	FURROWER TIP		02
79	0503030085	LOCK PIN		03
80	0521010595	1.1" X 4.3" COUPLING SHAFT		02
81	0521010579	COUPLING SHAFT		01
82	0521012199	1.6" CABLE FLAT WRENCH		01
83	0521012126	1.3" CABLE FLAT WRENCH HEX		01
84	0521012200	2" CABLE FLAT WRENCH		01
85	0531014773	2.3 CABLE FLAT WRENCH		01
86	0501062862	MOTOR SUPPORT		01
87	0501016631	SUPPORT FIXER MOTOR		04
88	0501057763	ARM/DISARMENT ROD ASSY	10	01
89	0511016819	CONICAL SPRING WASHER		04
90	0501010765	SPINDLE GUIDE		01

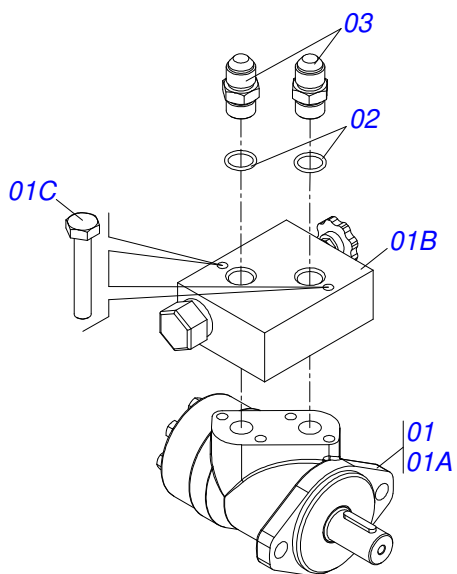


Item	Code	Description	See page	QT
91	0503030086	COMPRESSION SPRING		01
92	0502011321	11Z GEAR WITH RIGHT DRAGGER		01
93	0502011379	RH FOLLOWER		01
94	0501014453	LOCK BUSHING		01
95	0503010253	57 CHAIN X 73 LINK		01

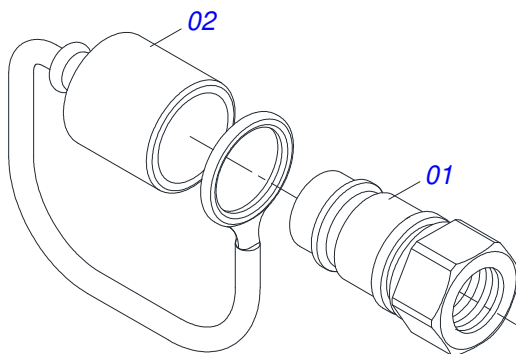




Item	Code	Description	See page	QT
01	0503061581	FERTILIZER BOX WITH COVER		01
02	0503010691	1/4" GREASE FITTING		04
03	0503032838	TUBE GUIDE		01
04	0541014215	BEARING BOLT		04
05	0511065979	SCREW THEAD		01
06	0551011421	SCREW THEAD BEARING		02
07	0541014214	SQUARE SHAFT		01
08	0503010571	1/4" X 1.1/2 COTTERPIN		02
09	0511067781	SOCKET COVER SUPPORT		02
10	0551013391	COVER SOCKET		02
11	0503010362	1/8 X 1.1/4 COTTERPIN		02
12	0501010637	FLAT WASHER		02

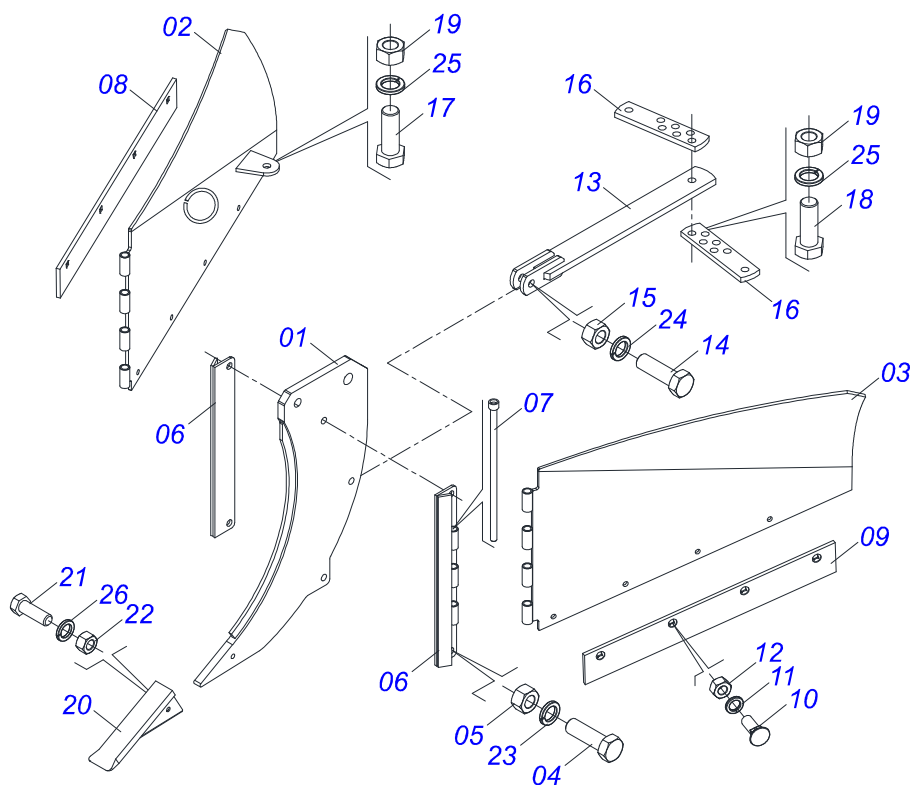


Item	Code	Description	See page	QT
01	0503012829	VALVE HYDRAULIC MOTOR ASSY		01
01A	0503014364	MOTOR WITH CYLINDER AXLE		01
01B	0503014365	VALVE		01
01C	0503010373	SCREW 1/4 UNC X 2 CS G.2 ZN		02
02	0503010045	O'RING		02
03	0501010590	NIPPLE		02

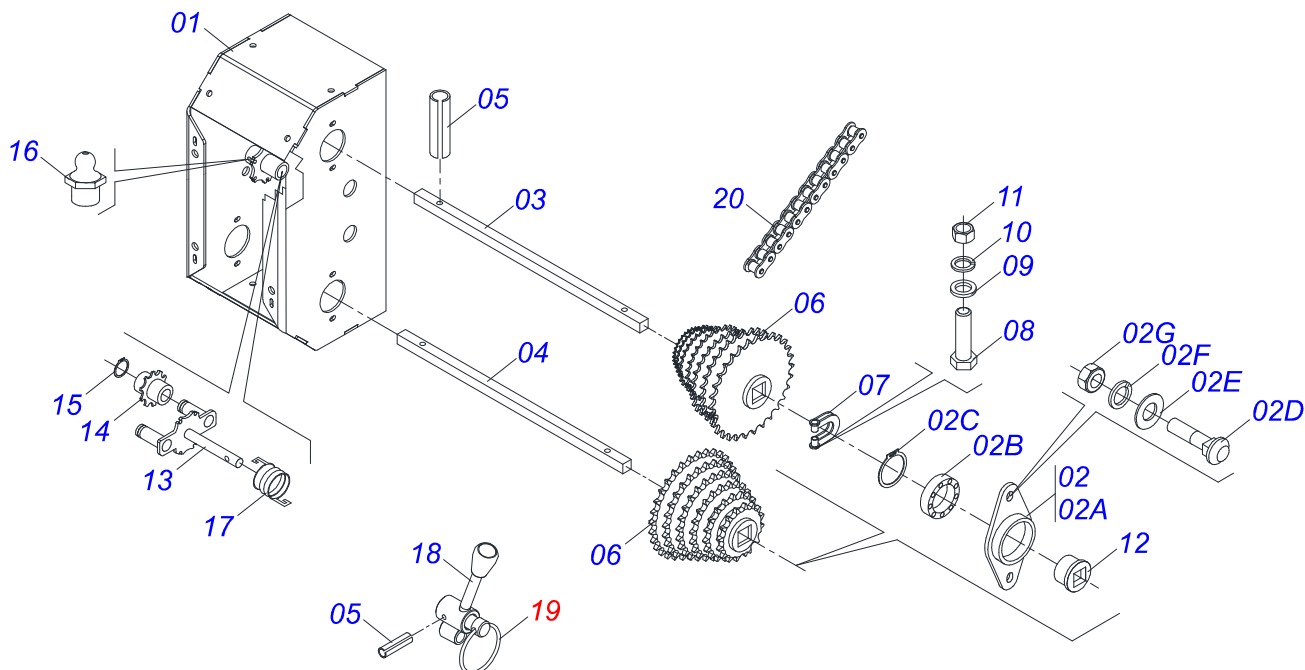


Item	Code	Description	See page	QT
01	0503011627	MALE QUICK COUPLER AGR 1/2 NPT		01
02	0503011882	MALE QUICK COUPLER CAP		01

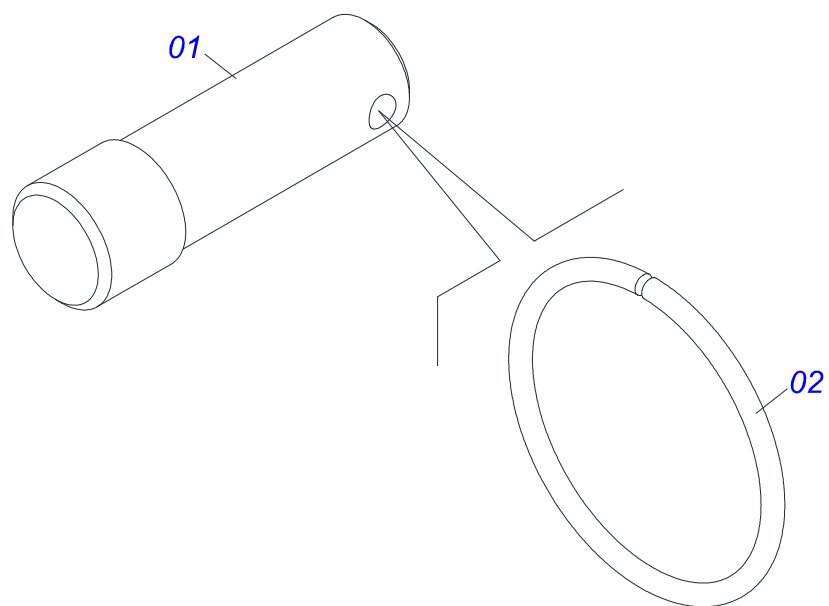




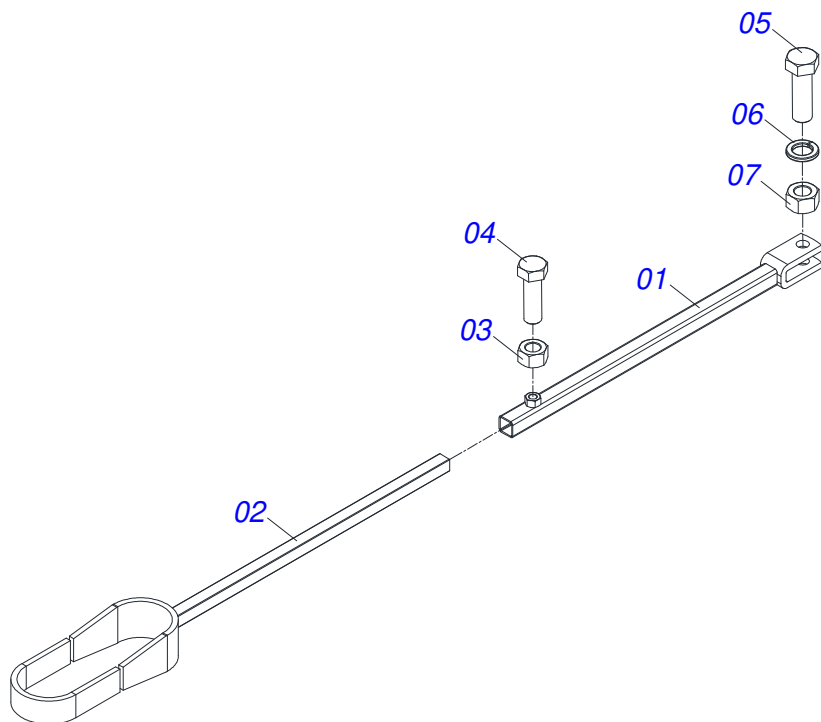
Item	Code	Description	See page	QT
01	0511068582	TURNBUCLE		01
02	0511067634	RIGHT WING		01
03	0511067635	LEFT WING		01
04	0501010100	SCREW 5/8 UNC X 2 CS G.5 ZN		02
05	0503010013	5/8 NUT		02
06	0511068583	GROOVE WING FIXER		02
07	0511068584	AXIS 14.20 X 360		02
08	0551011199	RIGHT SCRAPER		01
09	0551011200	LEFT SCRAPER		01
10	0503011426	7/16" X 1-1/4" BOLT		08
11	0503011446	SPRING WASHER		08
12	0503010244	7/16" NUT		08
13	0511068585	LIGHT UNIVERSAL ROD RABBIT		01
14	0503010233	5/8" X 2-1/2" BOLT		01
15	0503010013	5/8 NUT		01
16	0551011198	ADJUSTMENT BAR		02
17	0503010232	5/8" X 1.3/4" BOLT		02
18	0503010233	5/8" X 2-1/2" BOLT		01
19	0503010013	5/8 NUT		03
20	0511067843	POINT SUBSOILER		01
21	0503010849	3/8" X 1-1/2" BOLT		01
22	0503010026	3/8" NUT		01
23	0503011445	SPRING WASHER		02
24	0503011445	SPRING WASHER		01
25	0503011445	SPRING WASHER		03
26	0503011443	3/8" SPRING WASHER		01



Item	Code	Description	See page	QT
01	0511066625	SPEED BOX VARIADOR		01
02	0501053361	SPEED DOUB BEARING VARIADOR		04
02A	0502011987	DOUBLE HOUSING BEARING		01
02B	0503011410	ROLLER BEARING		02
02C	0503011105	SEAL RING		01
02D	0503011953	5/16" X 1" BOLT		02
02E	0501010694	FLAT WASHER		02
02F	0503010179	LOCK WASHER 5/16 ZN 1K01528		02
02G	0503010337	5/16" NUT		02
03	0521013283	SPEED AXLE TRANSMISSION		01
04	0541016956	SPEED AXLE TRANSMISSION		01
05	0503010292	701164 6 X 40 SPRING PIN		05
06	0501069700	FERTILIZER GEAR ASSY		02
07	0521010691	AXLE FASTENER		04
08	0503010373	SCREW 1/4 UNC X 2 CS G.2 ZN		04
09	0511017303	FLAT WASHER		04
10	0503010143	1/4" SPRING WASHER		04
11	0503010144	1/4" NUT		04
12	0503031527	AGRICULTURAL BEARING		04
13	0511060393	CHAIN TENSIONER ASSY		01
14	0503031805	11Z 1/2" GEAR		02
15	0503010302	501019 SEAL RING		02
16	0503010002	1800 GREASE FITTING		01
17	0503031366	RIGHT TWISTED SPRING		01
18	0502011758	REAR TIGHTENER LEVER		01
19	0501048790	AXLE WITH RING	9	01
20	0503012143	78 CHAIN X 40-1 LINK + REDUCTION		01



Item	Code	Description	See page	QT
01	0521012476	GEAR BOX LEVER AXLE		01
02	0503031369	LINK		01



Item	Code	Description	See page	QT
01	0511068860	ROD DRIVING		01
02	0511068861	COUPLING/UNCOUPLING ARM		01
03	0503010060	1/2 UNC G.5 ZN HEX NUT		01
04	0501010161	1/2" X 1.1/4" BOLT		01
05	0503010899	5/8 UNC X 2.1/4 BOLT		01
06	0503010027	5/8 SPRING WASHER		01
07	0503010013	5/8 NUT		01







**MARCHESAN**

**Technical Publications | Elaboration and Revision**

ALESSANDRA PATRICIA KAWAHARA CARRILI

[www.marchesan.com.br](http://www.marchesan.com.br)

