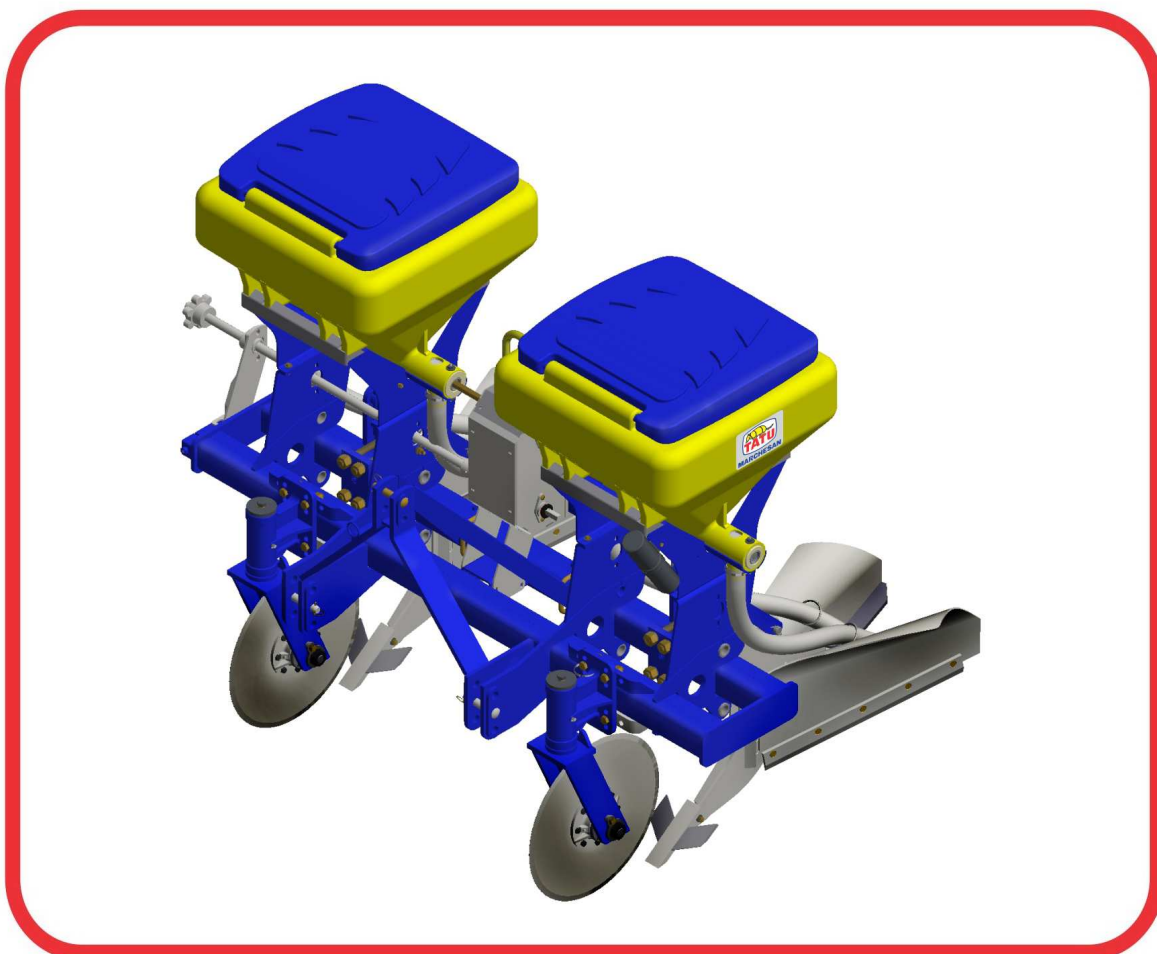


# PARTS CATALOG

## IMPLEMENTS FOR SUGAR CANE

### SAT-L - HIDR./MEC.

Code: 0501091301



Series: S-0507

Rev.: 00

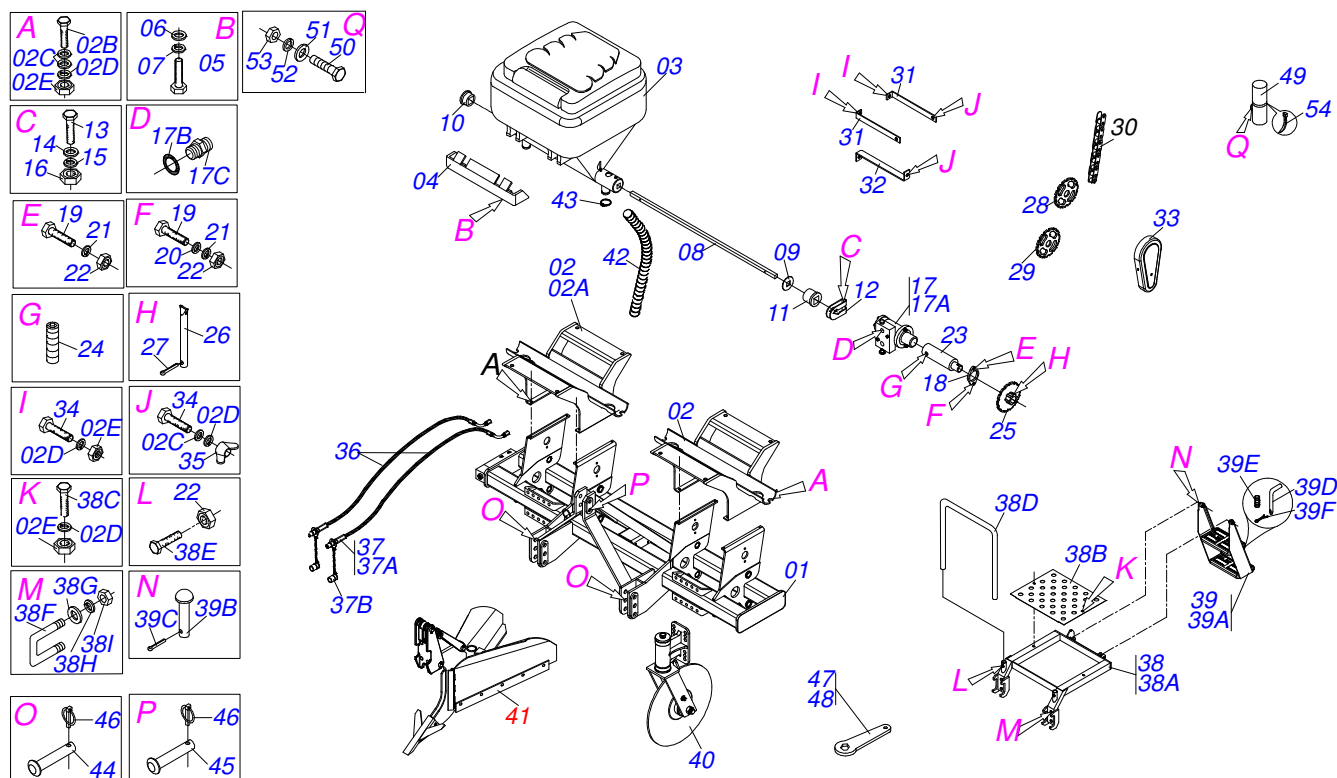
Date Rev.: MAIO/2007

ORIGINAL PARTS  
TATU



# INDEX

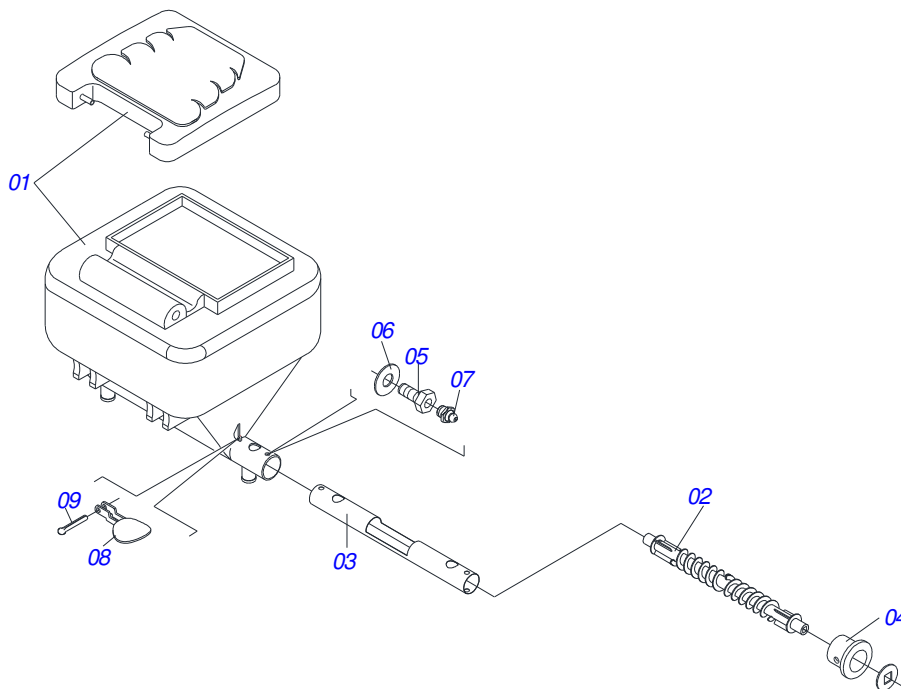
0909092780	SA-T 2L ESPAC 1300/1400/1500	.....	1
0909092786	FERTILIZER BEAM ASSY	.....	2
0511044355	24" BLADE DISC ASSY	.....	3
0909092782	SA-T MECANIC	.....	4
0909091478	ROW MARK ASSY	.....	5
0511040203	1.5" X 2.5" X 19" X 9" HYDRAULIC CYLINDER	.....	6
0909091458	DM OL 151 1.1/4" AGRICULTURAL BEARING	.....	7
0909092785	GEAR BOX	.....	8
0909092787	FURROWER ARM	.....	9



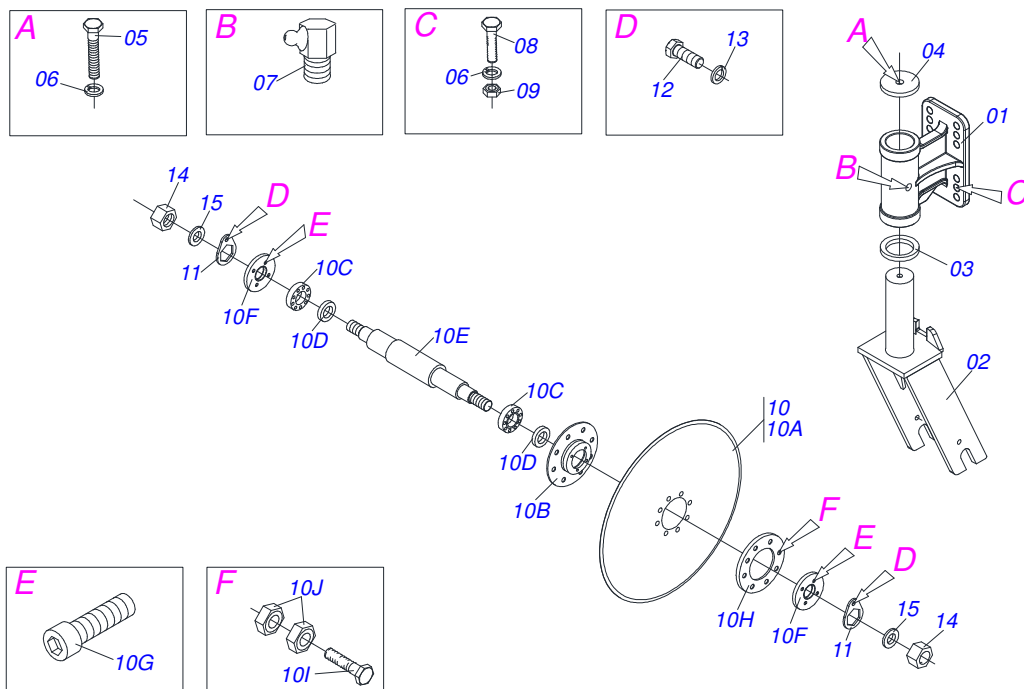
Item	Code	Description	QT
01	0511067104	FRAME	01
02	0511045926	SILO SUPPORT ASSY	02
02A	0511068657	SILO SUPPORT	01
02B	0503010849	3/8" X 1-1/2" BOLT	04
02C	0501010984	FLAT WASHER	11
02D	0503010025	3/8 SPRING WASHER	11
02E	0503010026	3/8" NUT	08
03	0501057624	FERTILIZER BEAM ASSY	01
04	0511068656	FERTILIZER BEAM LOCK	02
05	0503010233	5/8" X 2-1/2" BOLT	04
06	0501012140	FLAT WASHER	04
07	0503010027	SPRING WASHER	04
08	0521013959	3/4" X 30.2" SQUARE SHAFT	01
09	0521018630	1.4" X SQUARE 0.8" WASHER	04
10	0503031527	AGRICULTURAL BEARING	02
11	0503030275	AGRICULTURAL BEARING	01
12	0521010691	AXLE FASTENER	02
13	0503010373	1/4" X 2" BOLT	02
14	0511017303	FLAT WASHER	02
15	0503010143	SPRING WASHER	02
16	0503010144	1/4" NUT	02
17	0501053421	VALVE MOTOR HYDRAULIC ASSY	01
17A	0503012829	VALVE HYDRAULIC MOTOR ASSY	01
17B	0503010045	2-116 N 3006-9B O'RING	02
17C	0501010590	7/8" REDUCTION NIPPLE	02
18	0541019115	HYDRAULIC MOTOR FLANGE	01
19	0503011172	1/2" X 2-1/2" BOLT	02
20	0511017302	FLAT WASHER	01
21	0503010019	1/2" SPRING WASHER	02
22	0503010060	1/2" NUT	04
23	0551015677	HIDRAULIC MOTOR AXLE	01
24	0503011807	M 8 X 1,25 X 10 BOLT	02
25	0502010411	10Z GEAR	01



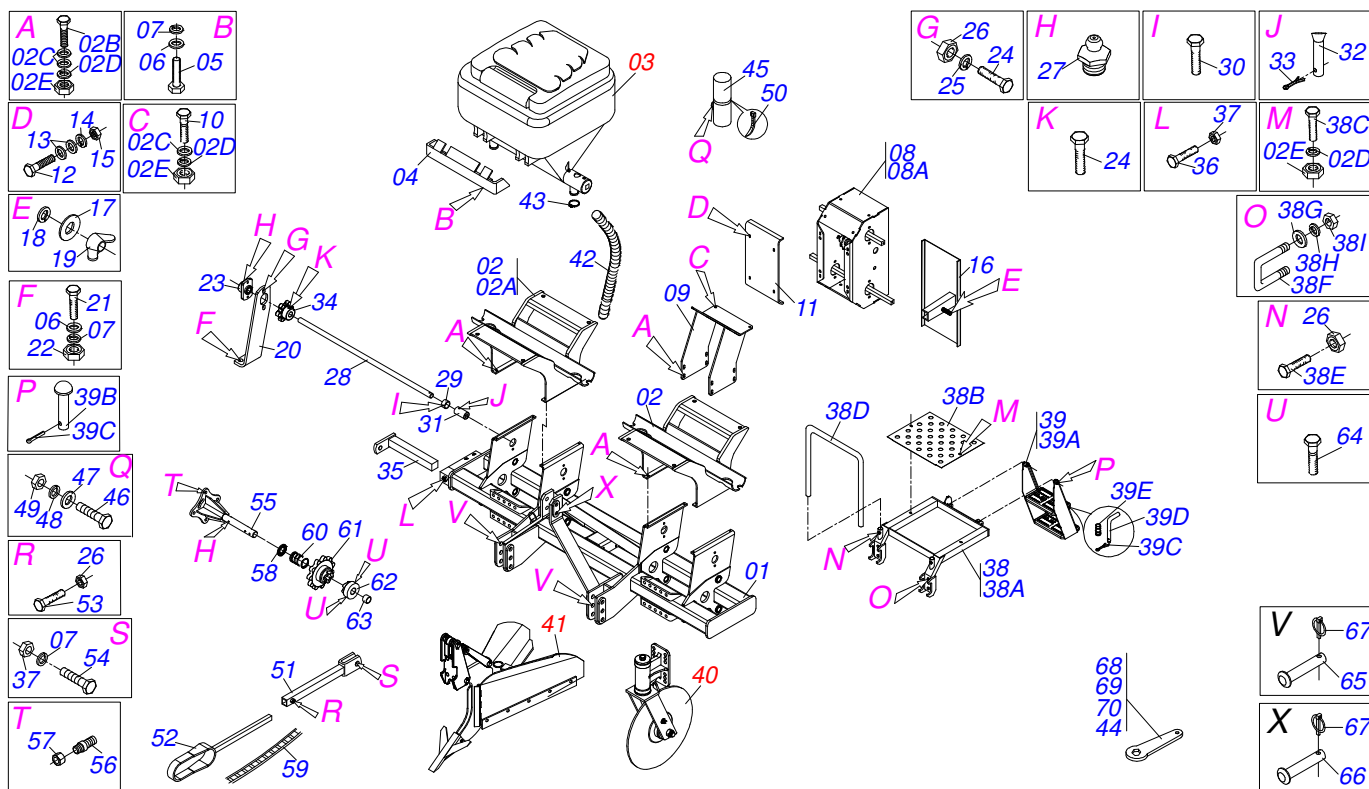
Item	Code	Description	QT
26	0521010530	COUPLING SHAFT	01
27	0503010140	1/8" X 3/4" COTTERPIN	01
28	0502011318	10Z GEAR	01
29	0502011349	18Z P 1.2" SH 3/4" GEAR	01
30	0503014266	2050 CHAIN X 31 LINK + MENDING+REDUCTION	01
31	0551015602	CHAIN CAP UPPER SUPPORT	02
32	0551015603	CHAIN CAP LOWER SUPPORT	01
33	0503032920	CHAIN CAP	01
34	0503011087	3/8" X 1" BOLT	05
35	0503010209	3/8" UNC BUTTERFLY NUT	03
36	0501080630	1/2" X 78" TC-TM HOSE ASSY	02
37	0501053834	MALE QUICK COUPLING AGRICULTURAL WITH	02
38	0501057649	PLATFORM ASSY	01
38A	0511068710	PLATFORM SACM/SA-T S-0207	01
38B	0541018908	PLATFORM BODY	01
38C	0503011268	3/8" X 2-1/2" BOLT	02
38D	0551015666	HANDRAIL BODY	01
38E	0503014007	1/2" X 1-1/4" BOLT	02
38F	0521010660	3/4" X 5.9" X 5.1" FASTENER	02
38G	0501010322	FLAT WASHER	04
38H	0503010023	SPRING WASHER	01
38I	0503010014	3/4" NUT	04
39	0501057647	LADDER	01
39A	0501069281	RIGHT LADDER	01
39B	0521010542	COUPLING SHAFT	02
39C	0503010257	1/8" X 1" COTTERPIN	03
39D	0521011249	LADDER LOCK PIN	01
39E	0503030190	0.5" X 1.6" X 0.05" SPRING	01
40	0511044355	24" BLADE DISC ASSY	02
41	0511045142	FURROWER ARM ASSY	02
42	0551013641	2.1/2" X 1430 HOSE ASSY	04
43	0503011266	CLAMP 2.1/4" A 3" 57-76	04
44	0521012124	COUPLING SHAFT	02
45	0521012533	COUPLING SHAFT	01
46	0503030085	LOCK PIN	03
47	0521012126	1.3" CABLE FLAT WRENCH HEX	01
48	0521012199	1.6" GANG BOLT WRENCH	01
49	0503060100	HAND BOOK COMPARTMENT	01
50	0503010371	5/16" X 1" BOLT	01
51	0501010984	FLAT WASHER	01
52	0503010179	SPRING WASHER	01
53	0503010337	5/16" NUT	01
54	0503010267	NYLON CLAMP	01



Item	Code	Description	QT
00	0501057624	FERTILIZER BEAM ASSY	01
01	0503061670	COVER ORANGE BOX FERTIL YELLOW	01
02	0511068620	FERTILIZER CONDUCTOR	01
03	0551015492	TUBE COATED	01
04	0551015225	FERTILIZER CONDUCTOR BEARING	02
05	0541014215	BEARING BOLT	04
06	0511017302	FLAT WASHER	04
07	0503010691	1/4" GREASE FITTING	04
08	0551013391	COVER SOCKET	02
09	0503010362	1/8" X 1.1/4" COTTERPIN	02



Item	Code	Description	QT
01	0502012370	WITH BLADE DISC SUPPORT	01
02	0511067105	BLADE DISC FORK	01
03	0541018869	FLAT WASHER	01
04	0541018868	FLAT WASHER	01
05	0501010098	HEX BOLT 3/4 UNC X 2 C S G.5 ZN	01
06	0503010023	SPRING WASHER	05
07	0503010004	1890 GREASE FITTING	01
08	0501010500	3/4"X3"BOLT	04
09	0503010014	3/4" NUT	04
10	0501056943	24" BLADE DISC	01
10A	0603030044	24" X 0.2" FLAT PLAIN DISC	01
10B	0502011478	DISC HUB	01
10C	0503011291	6209 BALL BEARING	02
10D	0503012106	00521-BR SEAL	02
10E	0521012661	BLADE DISC AXLE HUB	01
10F	0502011477	BLADE DISC HOUSIG CP	02
10G	0521011824	BLADE DISC FLANGE OUTER	01
10H	0503010134	3/8" X 1" BOLT	08
10I	0503011172	1/2" X 2-1/2" BOLT	08
10J	0503010060	1/2" NUT	16
11	0501069637	AXLE NUT LOCK	02
12	0503010962	5/8" X 1-1/4" BOLT	02
13	0503010027	SPRING WASHER	02
14	0521012664	FLAT WASHER	02
15	0501010087	1.1/4" NUT	02

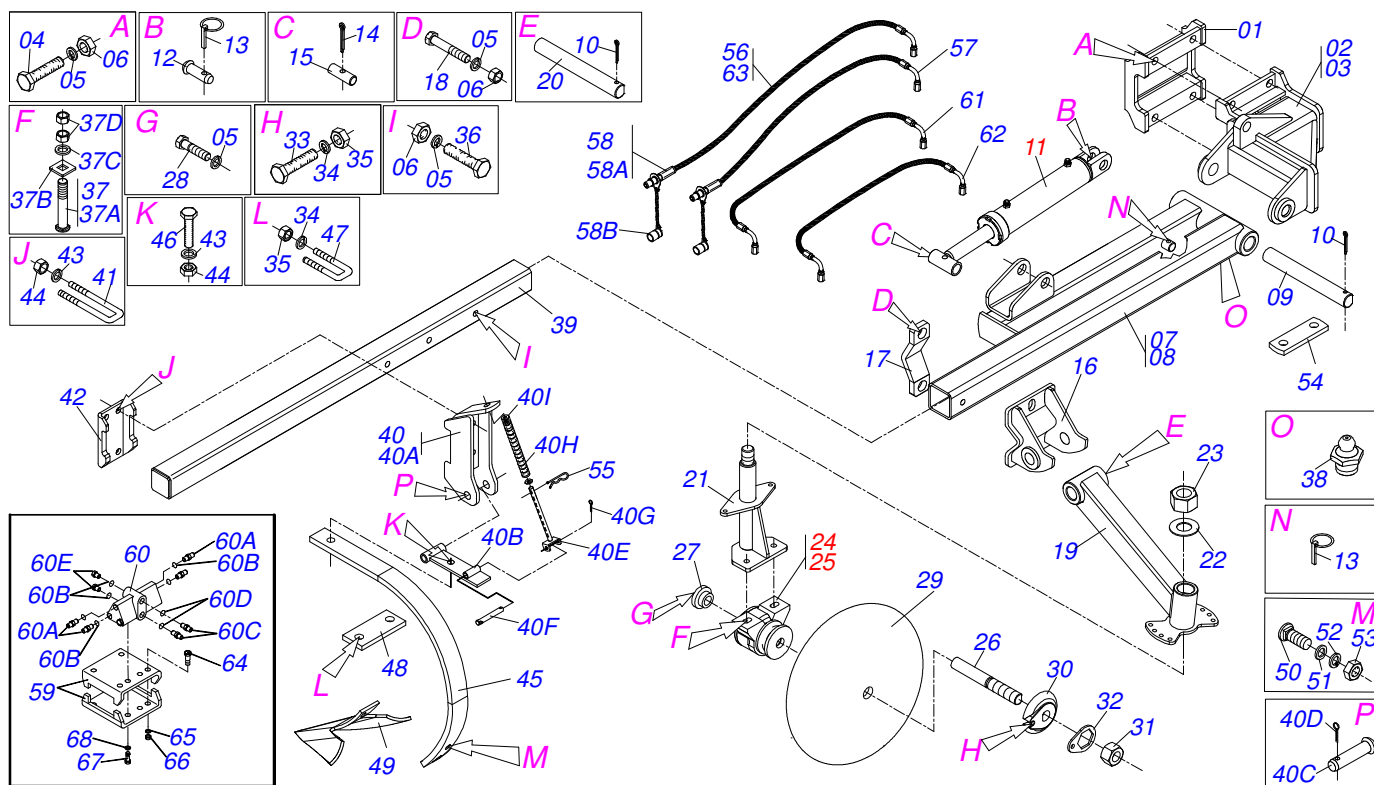


Item	Code	Description	QT
01	0511067104	FRAME	01
02	0511045926	SILO SUPPORT ASSY	02
02A	0511068657	SILO SUPPORT	01
02B	0503010849	3/8" X 1-1/2" BOLT	08
02C	0501010984	FLAT WASHER	20
02D	0503010025	3/8 SPRING WASHER	14
02E	0503010026	3/8" NUT	14
03	0501057624	FERTILIZER BEAM ASSY	01
04	0511068656	FERTILIZER BEAM LOCK	02
05	0503010233	5/8" X 2-1/2" BOLT	04
06	0501012140	FLAT WASHER	08
07	0503010027	SPRING WASHER	07
08	0511045952	GEAR BOX	01
08A	0501055624	GEAR BOX	01
09	0511067107	SPEED SUPPORT VARIADOR	01
10	0503010237	3/8" X 1" BOLT	04
11	0541019052	SPEED COVER VARIADOR	01
12	0503010282	1/4" X 3/4" BOLT	04
13	0511017303	FLAT WASHER	08
14	0503010143	SPRING WASHER	04
15	0503010144	1/4" NUT	04
16	0511066626	SPEED COVER BOX	01
17	0521013303	WASHER	01
18	0503010179	SPRING WASHER	01
19	0503010499	5/16" UNC BUTTERFLY NUT	01
20	0511068170	SUPPORT BEARING	01
21	0501010100	5/8 UNC X 2 C S G.5 BOLT	02
22	0503010013	5/8" NUT	02
23	0501010014	TUBE U SUPPORT	01
24	0501010077	1/2" X 2" BOLT	04
25	0503010019	1/2" SPRING WASHER	02
26	0503010060	1/2" NUT	05
27	0503010002	1800 GREASE FITTING	02



Item	Code	Description	QT
28	0541018896	DRIVER AXLE	01
29	0501010783	DRIVING AXLE LUCK	01
30	0503013662	1/2" X 1" BOLT	01
31	0511067108	SLEEVE AXLE DRIVING	01
32	0521010530	COUPLING SHAFT	01
33	0503010140	1/8" X 3/4" COTTERPIN	01
34	0502011311	6Z GEAR	01
35	0511068171	EAR DRIVING	01
36	0503010232	5/8" X 1.3/4" BOLT	01
37	0503010013	5/8" NUT	02
38	0501057649	PLATFORM ASSY	01
38A	0511068710	PLATFORM SACM/SA-T S-0207	01
38B	0541018908	PLATFORM BODY	01
38C	0503011268	3/8" X 2-1/2" BOLT	02
38D	0551015666	HANDRAIL BODY	01
38E	0503014007	1/2" X 1-1/4" BOLT	02
38F	0521010660	3/4" X 5.9" X 5.1" FASTENER	02
38G	0501010322	FLAT WASHER	04
38H	0503010023	SPRING WASHER	04
38I	0503010014	3/4" NUT	04
39	0501057647	LADDER	01
40	0511044355	24" BLADE DISC ASSY	02
41	0511045142	FURROWER ARM ASSY	02
42	0551013641	2.1/2" X 1430 HOSE ASSY	04
43	0503011266	CLAMP 2.1/4" A 3" 57-76	04
44	0531014773	2.3 CABLE FLAT WRENCH HEX	01
45	0503060100	HAND BOOK COMPARTMENT	01
46	0503010371	5/16" X 1" BOLT	01
47	0501010984	FLAT WASHER	01
48	0503010179	SPRING WASHER	01
49	0503010337	5/16" NUT	01
50	0503010267	NYLON CLAMP	01
51	0511068860	ROD DRIVING	01
52	0511068861	COUPLING/UNCOUPLING ARM	01
53	0501010161	1/2" X 1.1/4" BOLT	01
54	0503010899	5/8" X 2-1/4" BOLT	01
55	0501061186	MOTOR SUPPORT	01
56	0501010762	STUD	04
57	0501016992	3/4" CONIC NUT	04
58	0501010765	SPINDLE GUIDE	01
59	0503010253	57 CHAIN X 73 LINK	01
60	0503030086	COMPRESSION SPRING	01
61	0502011321	11Z GEAR WITH RIGHT DRAGGER	01
62	0502011379	RH FOLLOWER	01
63	0501014453	LOCK BUSHING	01
64	0503010734	1/2" X 2-1/2" BOLT	03
65	0521012124	COUPLING SHAFT	02
66	0521012533	COUPLING SHAFT	01
67	0503030085	LOCK PIN	03
68	0521012126	1.3" CABLE FLAT WRENCH HEX	01
69	0521012199	1.6" GANG BOLT WRENCH	01
70	0521012200	2" CABLE FLAT WRENCH	01

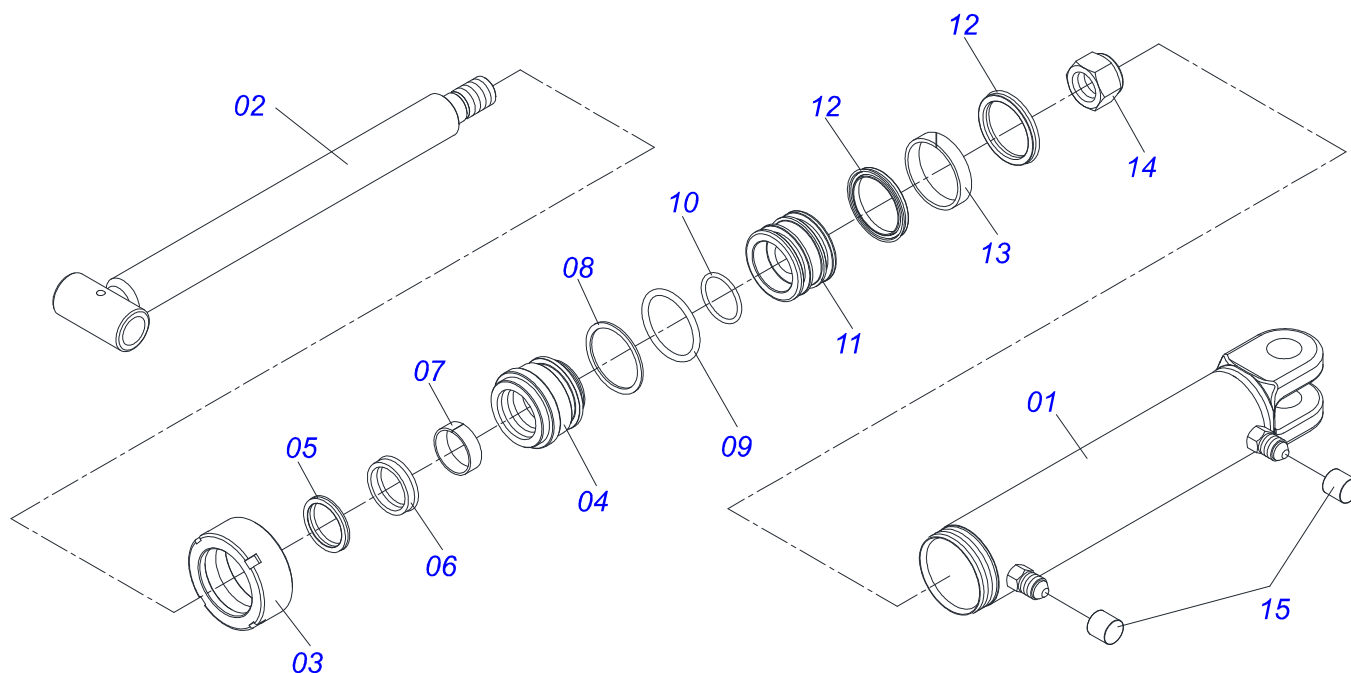




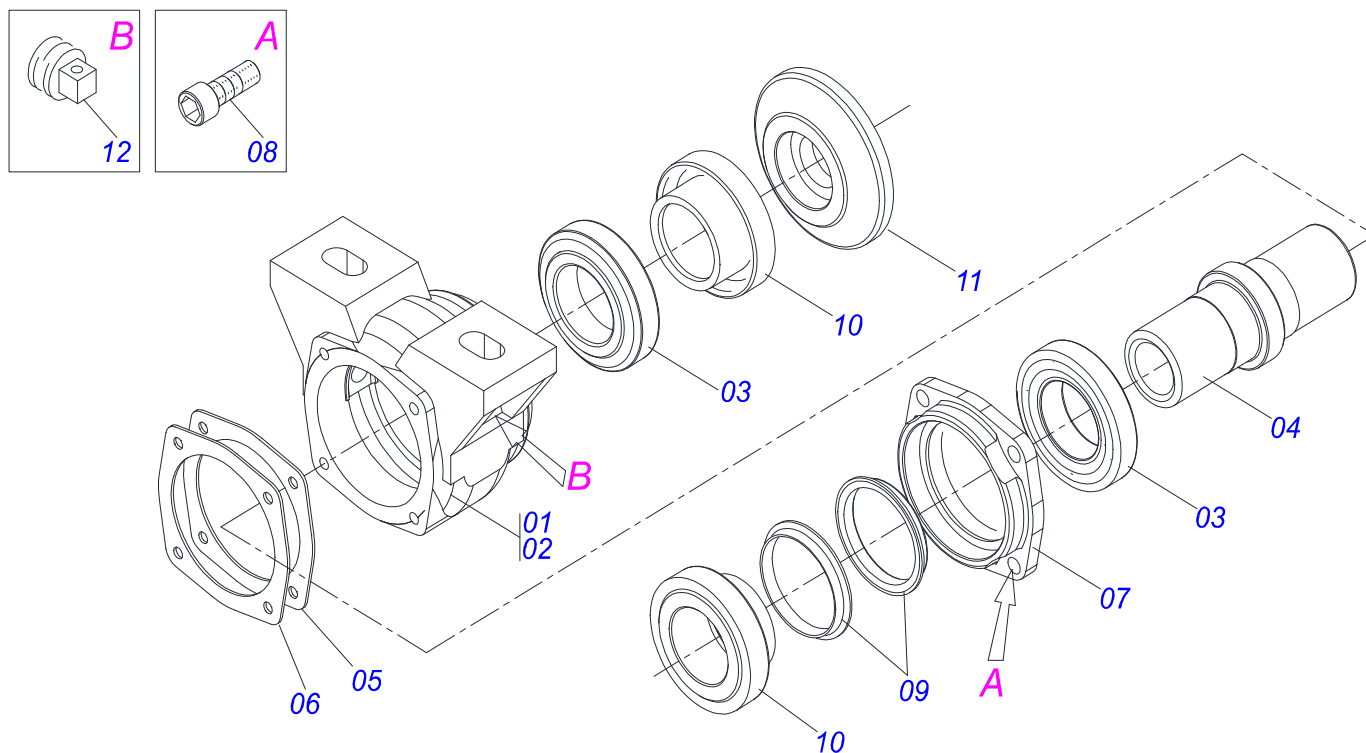
Item	Code	Description	QT
00	0501056786	ROW MARK ASSY	01 01
00A	0501056986	ROW MARK ASSY	01 01
01	0511067457	ROW MARKER FIXER	02 02
02	0511067458	SUPPORT RIGHT BOLLARD	01 01
03	0511067459	LEFT SUPPORT ROW MARKER	01 01
04	0503011084	3/4" X 5" BOLT	08 08
05	0503010023	SPRING WASHER	14 14
06	0503010014	3/4" NUT	12 12
07	0511067460	RIGHT ARM ROW MARKER	01 01
08	0511067461	LH ARM ROW MARKER	01 01
09	0521012187	WHEEL AXLE ARM	02 02
10	0503010523	1/4" X 2" COTTERPIN	04 04
11	0511040203	1.5" X 2.5" X 19" X 9" HYDRAULIC CYLINDER	02 02
12	0521010577	0.9" X 4.1" COUPLING SHAFT	02 02
13	0503030085	LOCK PIN	03 03
14	0503010571	1/4" X 1.1/2" COTTERPIN	04 04
15	0511015779	1" X 4.2" AXLE	02 02
16	0511067462	ARM SUPPORT OSCILLATING	02 02
17	0502010175	HITCH CLAMP	02 02
18	0503010797	3/4" X 4" BOLT	04 04
19	0511067463	OSCILLATING ARM ROW MARKER	02 02
20	0551010402	34,93 X 160,50/161 AXLE	02 02
21	0511063099	DISC REG SUPPORT LOWER	02 02
22	0521012120	WASHER	02 02
23	0503010290	SELF ADJUSTING 1.1/2" UNF NUT	02 02
24	0501049010	BEARING	01 01
25	0501049011	BEARING GUARD	01 01
26	0521015310	1.1/4 UNC X 206 AXLE	02 02
27	0521015311	WASHER	02 02
28	0501010098	HEX BOLT 3/4 UNC X 2 C S G.5 ZN	02 02
29	0601025002	18" X 0.1" PLAIN DISC BLADE	02 02
30	0502010835	1-1/4" EXTERNAL AXLE WASHER	02 02
31	0501010087	1.1/4" NUT	02 02



Item	Code	Description	QT	
32	0501010455	1.1/4" NUT LOCK	02	02
33	0501010161	1/2" X 1.1/4" BOLT	02	02
34	0503010019	1/2" SPRING WASHER	06	06
35	0503010060	1/2" NUT	06	06
36	0501010216	3/4" X 4-1/2" BOLT	02	02
37	0501048963	5/8" X 2-1/2" BOLT ASSY	01	01
37A	0501014177	5/8" X 2-1/2" BOLT	01	01
37B	0501010947	5/8 NUT LOCK	01	01
37C	0501012140	FLAT WASHER	01	01
37D	0503010013	5/8" NUT	02	02
38	0503010002	1800 GREASE FITTING	02	02
39	0551010309	3200 SQUARE TUBE	02	02
40	0501057372	CONJUNTO ARTICULADOR HOE	02	02
40A	0511068105	PIVOT SUPPORT	01	01
40B	0511068108	ARTICULATION	01	01
40C	0501011388	COUPLING SHAFT	01	01
40D	0503010577	3/16" X 1-1/4" COTTERPIN	01	01
40E	0501063359	DEPTH REGULATOR	01	01
40F	0521010553	0.5" X 3" COUPLING SHAFT	01	01
40G	0503010257	1/8" X 1" COTTERPIN	01	01
40H	0503030399	1"X5.1"X 0.2" COMPRESSION SPRING	01	01
40I	0501010453	FLAT WASHER	01	01
41	0521010674	5/8" FASTENER	04	04
42	0501011978	5/8" FASTENER PLATE	02	02
43	0503010027	SPRING WASHER	10	10
44	0503010013	5/8" NUT	10	10
45	0521010424	GUARD BRACKET	02	02
46	0501010100	5/8 UNC X 2 C S G.5 BOLT	02	02
47	0521010654	1/2" FASTENER	02	02
48	0501011976	1/2" FASTENER PLATE	02	02
49	0621010002	CULTIVATOR HOES	04	04
50	0501011963	7/16" X 1-1/2" BOLT	04	04
51	0501012803	FLAT WASHER	04	04
52	0503010180	7/16" SPRING WASHER	04	04
53	0503010244	7/16" NUT	04	04
54	0521013867	DRAWBAR TRANSPORT LOCK	01	01
55	0503030012	HAIR PIN	02	02
56	0501080473	3/8" X 120" TC-TM HOSE	00	02
57	0501080722	3/8 X 3300 TC-TM HOSE ASSY	00	02
58	0501053834	MALE QUICK COUPLING AGRICULTURAL WITH	04	04
59	0551012843	SEQ. VALV SUPPORT	02	00
60	0501054649	SEQUENTIAL VALVE ASSY	01	00
60A	0501010617	3/4" NIPPLE	02	00
60B	0503010190	2-114 N 3006-9B O'RING	02	00
60C	0501012109	3/4" X 9/16" NIPPLE	04	00
60D	0503011036	2-111 N 3006-9B O'RING	04	00
60E	0531019339	9/16" UNF X 12 PUMP	02	00
61	0501080449	3/8" X 1500 TC-TC HOSE	02	00
62	0501080644	3/8" X 78.7" TC-TC HOSE ASSY	02	00
63	0501080852	3/8" X 1500 TR-TM HOSE	02	00
64	0503011268	3/8" X 2-1/2" BOLT	04	00
65	0503010025	3/8 SPRING WASHER	04	00
66	0503010026	3/8" NUT	04	00
67	0503010363	5/16" X 1" BOLT	02	00
68	0503010179	SPRING WASHER	02	00

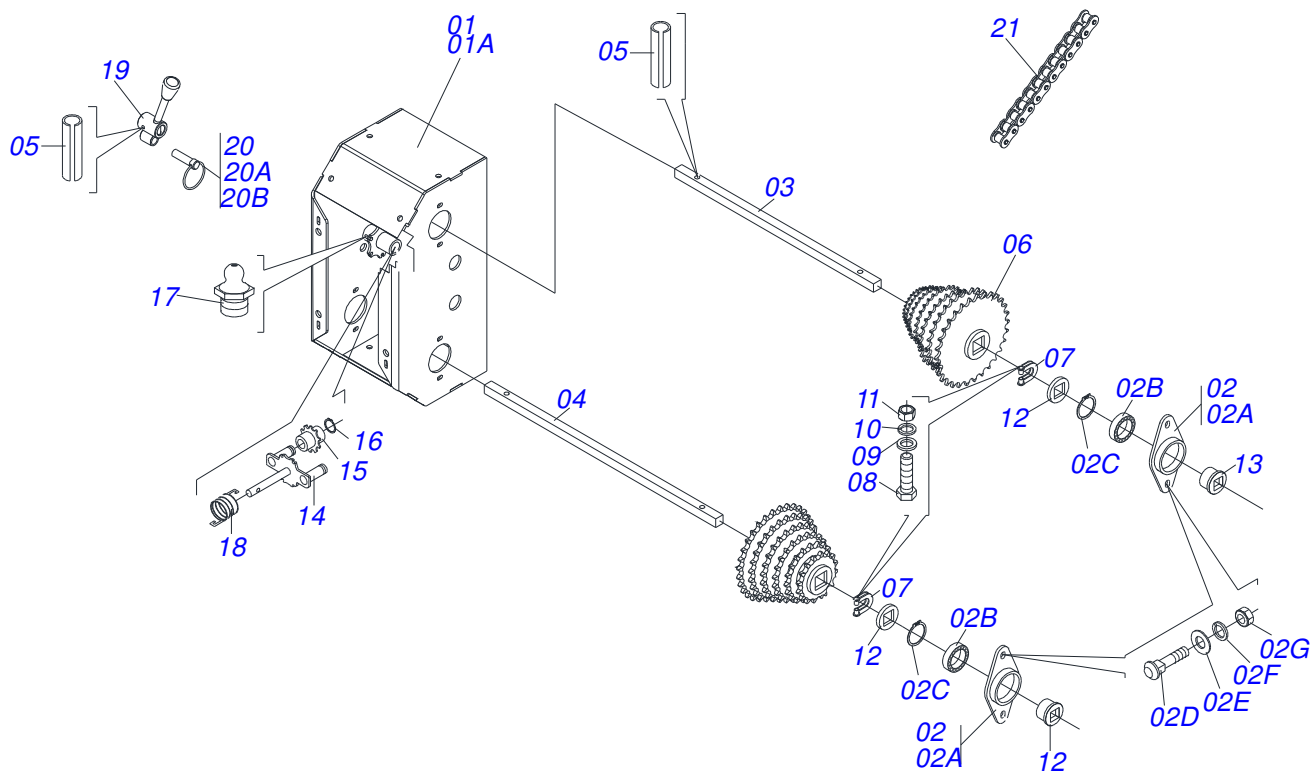


Item	Code	Description	QT
01	0511062810	2.5" X 15" CYLINDER CASE	01
02	0501065662	HYDRAULIC CYLINDER TURNBUCKLE	01
03	0502010471	MOBILE COVER	01
04	0502010780	RING SUPPORT	01
05	0503010163	D-1500 SCRAPER RING	01
06	0503010989	1870-1500-375-B GASKET	01
07	0503010970	W1-1650-500 PK O'RING G.E	01
08	0503011058	8-330 BACK-UP RING	01
09	0503010161	2-330 N 3006 9B O'RING	01
10	0503010285	2-222 N 3006-9B O'RING	01
11	0502010783	1.5" X 2.5" PISTON	01
12	0503010160	2500 2000 GASKET	02
13	0503010973	W2-2500-500 PK O'RING G.E	01
14	0503010063	1" SELF-ALIGNING NUT	01
15	0503030384	CON N-001 PLUG	02
16	0501032666	HYDRAULIC CYLINDER REPAIR KIT	01

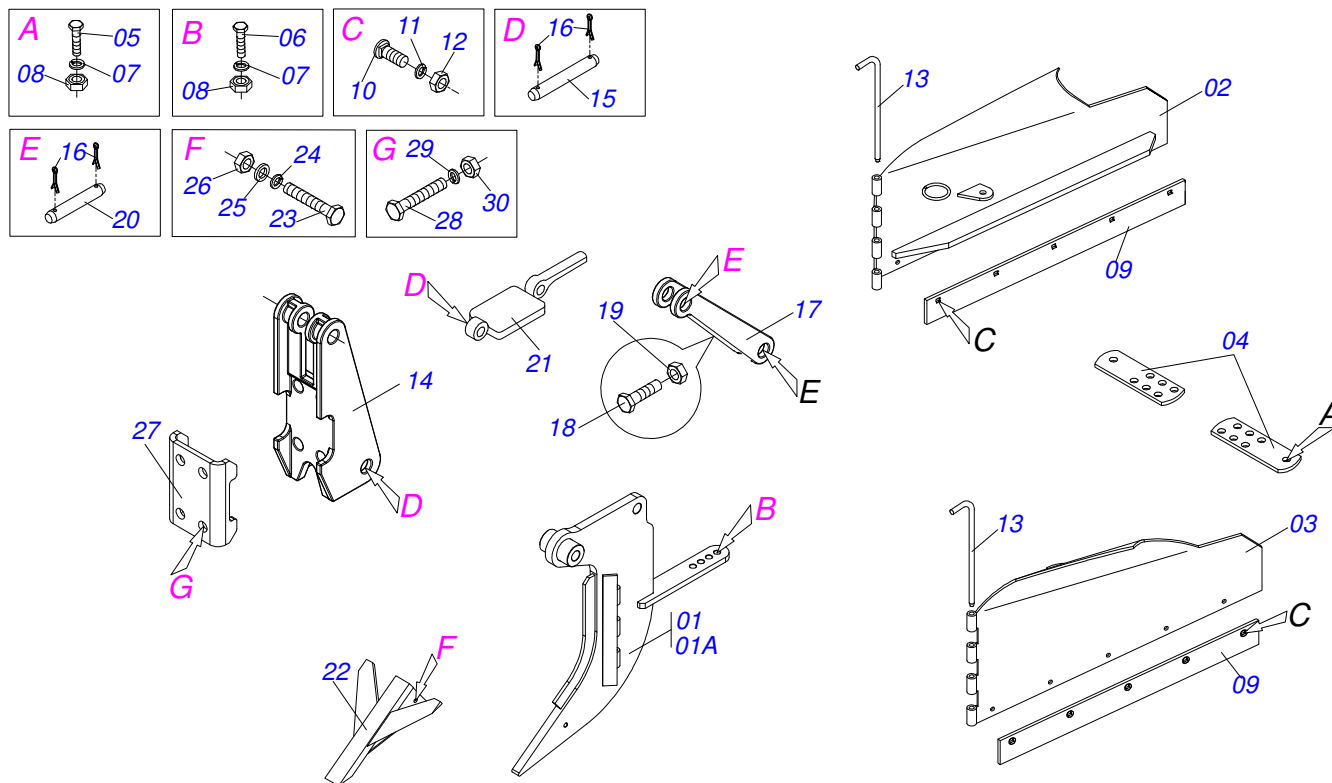


Item	Code	Description	QT
00	0501049010	BEARING	01
00A	0501049011	BEARING GUARD	01
01	0502011765	HOUSING DM	01
02	0502011766	HOUSING DM	01
03	0503010111	30210 ROLLER BEARING	02
04	0502040484	BEARING AXLE	01
05	0503030013	4.4" X 3.5" X 0.004" JOINT	02
06	0503030684	4.4" X 3.5" X 0.004" JOINT	01
07	0502020424	HOUSING CAP DM	01
08	0503010134	3/8" X 1" BOLT	04
09	0503030026	SEAL LP JB-253	02
10	0502010541	SEAL RETAINER	02
11	0502010074	INNER FLANGE	01
12	0503010856	OIL PLUG	01

GEAR BOX



Item	Code	Description	QT
01	0501055624	GEAR BOX	01
01A	0511066625	SPEED BOX VARIADOR	01
02	0501053361	SPEED DOUB BEARING VARIADOR	04
02A	0502011987	DOUBLE HOUSING BEARING	01
02B	0503011410	ROLLER BEARING	02
02C	0503011105	SEAL RING	01
02D	0503011953	5/16" X 1" BOLT	02
02E	0501010694	FLAT WASHER	02
02F	0503010179	SPRING WASHER	02
02G	0503010337	5/16" NUT	02
03	0521013283	SPEED AXLE TRANSMISSION	01
04	0551015668	SQUARE SHAFT	01
05	0503010292	0.2" X 1.6" SPRING PIN	05
06	0501069700	FERTILIZER GEAR ASSY	02
07	0521010691	AXLE FASTENER	04
08	0503010373	1/4" X 2" BOLT	04
09	0511017303	FLAT WASHER	04
10	0503010143	SPRING WASHER	04
11	0503010144	1/4" NUT	04
12	0521018630	1.4" X SQUARE 0.8" WASHER	04
13	0503031527	AGRICULTURAL BEARING	04
14	0511060393	CHAIN TENSIONER ASSY	01
15	0503031805	11Z 1/2" GEAR	02
16	0503010302	501019 SEAL RING	02
17	0503010002	1800 GREASE FITTING	01
18	0503031367	SPRING	01
19	0502011758	REAR TENSIONER LEVER	01
20	0501048790	AXLE WITH LINK ASSY	01
20A	0521012476	GEAR BOX LEVER AXLE	01
20B	0503031369	LINK	01
21	0503012143	78 CHAIN X 40-1 LINK + REDUCTION	01



Item	Code	Description	QT
01	0501069713	FURROWER ARM	01
02	0511067531	WING RIGHT SET	01
03	0511067530	WING LEFT SET	01
04	0551011638	ADJUSTMENT BAR	02
05	0501010100	5/8 UNC X 2 C S G.5 BOLT	02
06	0503010233	5/8" X 2-1/2" BOLT	01
07	0503010027	SPRING WASHER	03
08	0503010013	5/8" NUT	03
09	0551013447	SCRAPER	02
10	0503012956	1/2" X 1-1/2" BOLT	10
11	0503010019	1/2" SPRING WASHER	10
12	0503010020	1/2"NUT	10
13	0521012821	PIVOT SHAFT	02
14	0502011165	REAR FIXER	01
15	0511015688	1.1" X 7.1" COUPLING SHAFT	02
16	0503010571	1/4" X 1.1/2" COTTERPIN	08
17	0502011164	SUPPORT SPRING	01
18	0503011195	7/16" X 1.3/4" BOLT	01
19	0503010244	7/16" NUT	01
20	0511015689	1.1" X 3.5" COUPLING SHAFT	02
21	0521011631	AUTOMATIC RESET	01
22	0511067839	POINT PLOW ALADA UNIVERSAL	01
23	0503011236	3/8" X 2" BOLT	01
24	0501010984	FLAT WASHER	01
25	0503010025	3/8 SPRING WASHER	01
26	0503010026	3/8" NUT	01
27	0502011166	FRONT FIXER	01
28	0511019527	1" X 8" BOLT	04
29	0503011438	SPRING WASHER	04
30	0503010340	1" NUT	04





**MARCHESAN IMPLEMENTOS E MÁQUINAS AGRÍCOLAS TATU S.A.**

AV. Marchesan, 1979 - Post office box, 131 - CEP 15994-900 - Matão - SP - Brazil

Phone +55 16.3382-8282

(FAX Parts) + 55 16.3382. 8297 - (Export) + 55 16.3382.1003

e.mail: [tatu@marchesan.com.br](mailto:tatu@marchesan.com.br) [www.marchesan.com.br](http://www.marchesan.com.br)

**Technical Publications: Elaboration**

ALESSANDRA PATRICIA KAWAHARA CARRILI

*Contact Catálogo:*

*E-mail = [jgaspari@marchesan.com.br](mailto:jgaspari@marchesan.com.br)*

**ORIGINAL PARTS  
TATU**

