

**IMPLEMENTS FOR SUGAR CANE**

## **SU-T - 02/03 ROWS**

**Code:** 0501091299  
**Series:** S-0905  
**Revision:** 00  
**Date Revision:** NOVEMBRO/2022

# **PARTS CATALOGUE**



**MARCHESAN**



# PRODUCTS

Code	Description
0110010031	SU-T 2L ESP 1400/1500 S-0905
0110010030	SU-T 2L ESP 1400/1500 DC S-0905
0110010032	SU-T 3L ESP 1000/1100 S-0905
0110010033	SU-T 3L ESP 1000/1100 DC S-0905
0110010028	SU-T 3L ESP 1400/1500 S-0905
0110010029	SU-T 3L ESP 1400/1500 DC S-0905

## ATTENTION: IMPORTANT

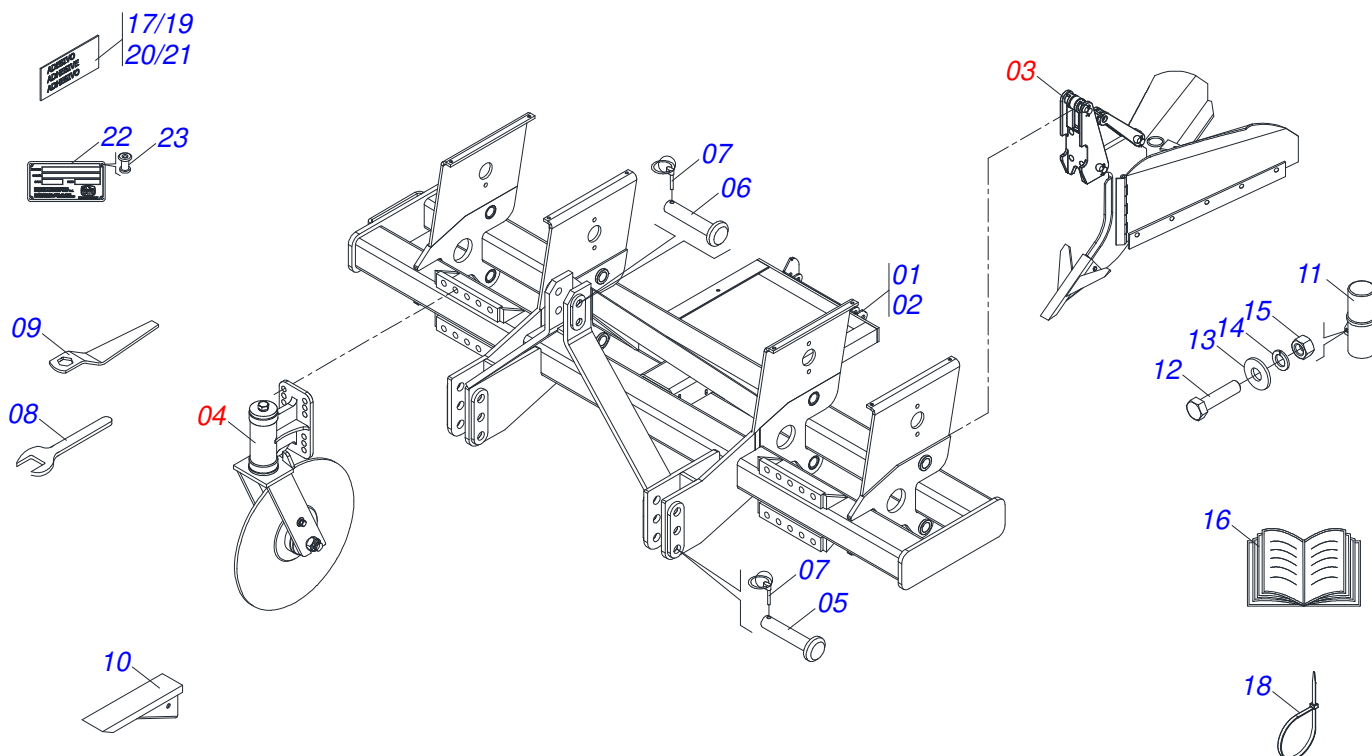
Marchesan S.A. reserves the right to improve and/or modify the technical features of its products, without obligation to do the same with those products already sold and without prior knowledge of the dealer or the consumer. The photos are only illustrative.



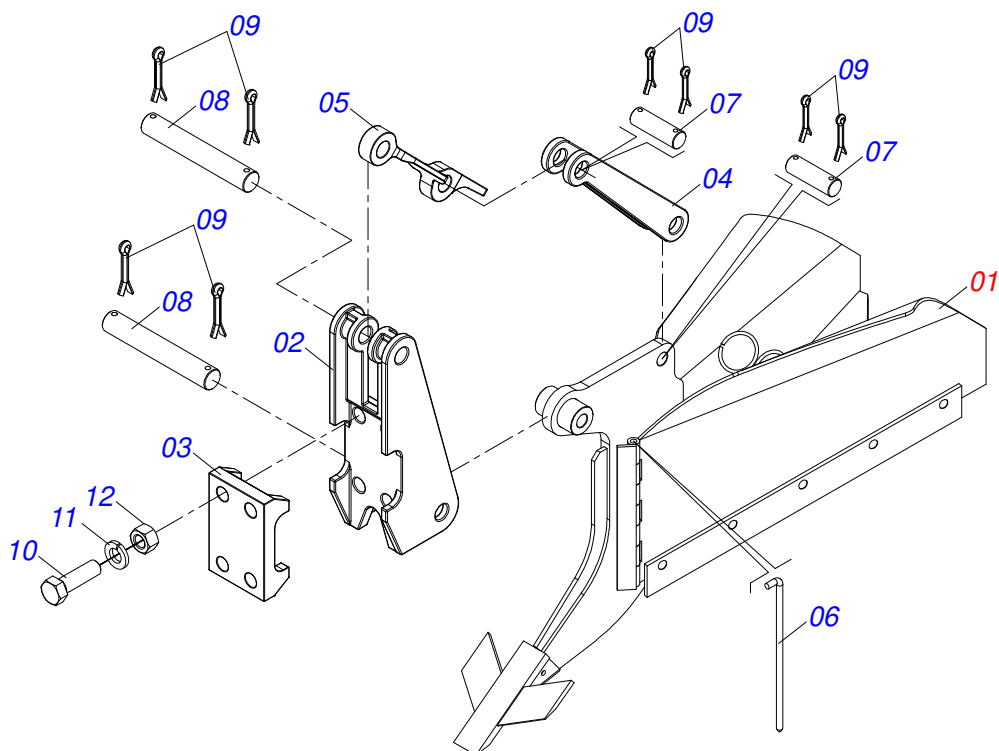
**MARCHESAN**

# INDEX

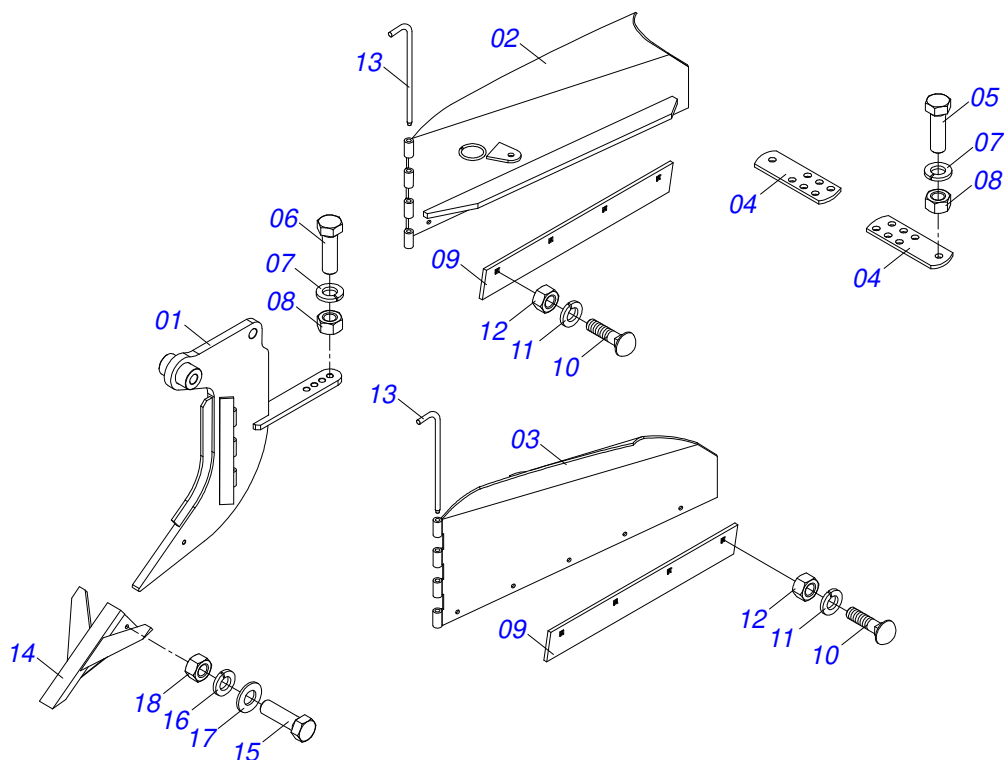
0909091461	ASSY FRAME	.....	1
0511045142	FURROWER ARM ASSY	.....	2
0511045143	FURROWER ARM	.....	3
0511044355	24" BLADE DISC ASSY	.....	4
0501057526	DISC HUB	.....	5



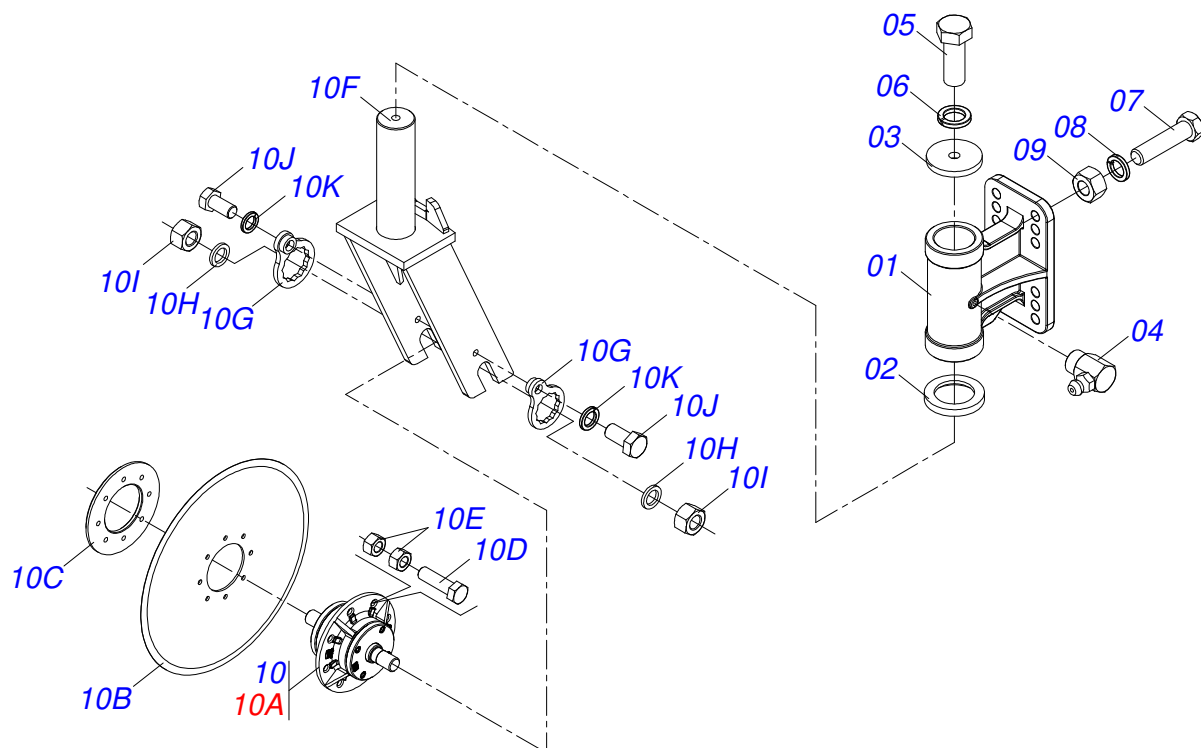
Item	Code	Description	See page	02L	03L
01	0511067375	FRAME 03 ROWS		00	01
02	0511067104	FRAME 02 ROWS		01	00
03	0511045142	FURROWER ARM ASSY	2	02	03
04	0511044355	24" BLADE DISC ASSY	4	02	03
05	0521012124	COUPLING SHAFT		02	02
06	0521012533	COUPLING SHAFT		01	01
07	0503030085	LOCK PIN		06	06
08	0521012126	1.3" CABLE FLAT WRENCH HEX		01	01
09	0521012199	1.6" CABLE FLAT WRENCH		01	01
10	0511067842	SUBSOLER TIP		00	03
11	0503060100	INSTRUCTIONS MANUAL CANISTER		00	01
12	0503010371	5/16" X 1" BOLT		00	01
13	0501010984	FLAT WASHER 10,50 X 27 X 3,00 ZN		00	01
14	0503010179	LOCK WASHER 5/16 ZN 1K01528		00	01
15	0503010337	5/16" NUT		00	01
16	0501090790	INSTRUCTION MANUAL		00	01
17	0503031942	ADHESIVE LABEL		00	01
18	0503010267	NYLON CLAMP		00	01
19	0503061608	SET LABEL ADHESIVE		00	01
20	0503031428	READ MANUAL DECAL		00	01
21	0503031827	LUBRICATE AND RETIGHTEN DAILY DECAL		00	01
22	0503034003	SERIAL NUMBER TAG 61 X 118		00	01
23	0503010001	3.2 X 5.5 RIVET		00	01



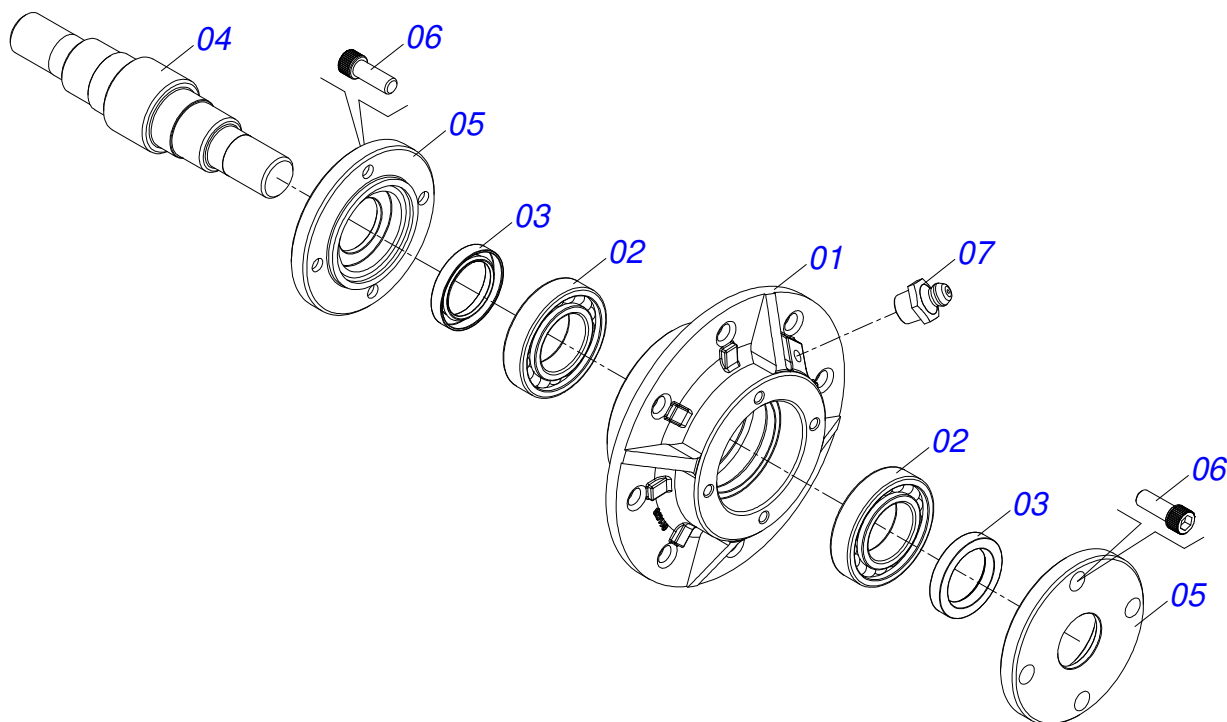
Item	Code	Description	See page	QT
01	0511045143	FURROWER ARM	3	01
02	0502011165	REAR FIXER		01
03	0502011166	FRONT FIXER		01
04	0502011164	SUPPORT SPRING		01
05	0521011631	AUTOMATIC RESET		01
06	0521012821	PIVOT SHAFT		02
07	0511015689	1.1" X 3.5" COUPLING SHAFT		02
08	0511015688	28,50X180 COUPLING SHAFT		02
09	0503010571	1/4" X 1.1/2 COTTERPIN		08
10	0511019527	1" X 8" BOLT		04
11	0503011438	SPRING WASHER		04
12	0503010340	1" NUT		04



Item	Code	Description	See page	QT
01	0501069713	FURROWER ARM		01
02	0511067531	WING RIGHT SET		01
03	0511067530	WING LEFT SET		01
04	0551011638	ADJUSTMENT BAR		02
05	0501010100	SCREW 5/8 UNC X 2 CS G.5 ZN		02
06	0503010233	5/8" X 2-1/2" BOLT		01
07	0503010027	5/8" SPRING WASHER		03
08	0503010013	5/8" NUT		03
09	0551013447	SCRAPER		02
10	0503012956	1/2" X 1-1/2" BOLT		10
11	0503010019	1/2" SPRING WASHER		10
12	0503012682	1/2" BSW NUT		10
13	0521012821	PIVOT SHAFT		02
14	0511067839	POINT PLOW ALADA UNIVERSAL		01
15	0503011236	3/8" X 2" BOLT		01
16	0501010984	FLAT WASHER 10,50 X 27 X 3,00 ZN		01
17	0503010025	3/8" SPRING WASHER		01
18	0503010026	3/8" NUT		01



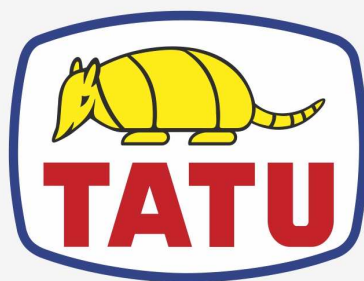
Item	Code	Description	See page	QT
01	0502012370	WITH BLADE DISC SUPPORT		01
02	0541018869	FLAT WASHER		01
03	0541018868	FLAT WASHER		01
04	0503010004	1890 GREASE FITTING		01
05	0501010098	3/4" UNC BOLT		01
06	0503010023	3/4" SPRING WASHER		01
07	0501010500	3/4"X3"BOLT		04
08	0503010023	3/4" SPRING WASHER		04
09	0503010014	3/4" HEX NUT		04
10	0501056943	24" BLADE DISC		01
10A	0501057526	DISC HUB	5	01
10B	0603030044	24" X 0.2" FLAT PLAIN DISC		01
10C	0521011824	BLADE DISC FLANGE OUTER		01
10D	0503011172	BOLT 1/2 UNC X 2.1/2 C S G.5 ZN		08
10E	0503010060	1/2 UNC G.5 ZN HEX NUT		16
10F	0511067105	BLADE DISC FORK		01
10G	0501069637	AXLE NUT LOCK		02
10H	0521012664	FLAT WASHER		02
10I	0501010087	1.1/4" NUT		02
10J	0503010962	5/8" X 1-1/4" BOLT		02
10K	0503010027	5/8" SPRING WASHER		02



Item	Code	Description	See page	QT
01	0502011478	DISC HUB		01
02	0503011291	6209 BALL BEARING		02
03	0503012106	00521-BR RETAINER		02
04	0521012661	BLADE DISC AXLE HUB		01
05	0502011477	BLADE DISC HOUSIG CP		02
06	0503010134	3/8" X 1" BOLT		08
07	0503010002	1800 GREASE FITTING		01
08	1882970002	GREASE SOAP		0,03Kg







**MARCHESAN**

**Technical Publications | Elaboration and Revision**

ALESSANDRA PATRICIA KAWAHARA CARRILI

[www.marchesan.com.br](http://www.marchesan.com.br)

