

PARTS CATALOG

IMPLEMENTS FOR SUGAR CANE

SAT CTP 02L HIDR/MEC

Code: 0501091298



Series: S-0306

Review: MARÇO/06

ORIGINAL PARTS
TATU

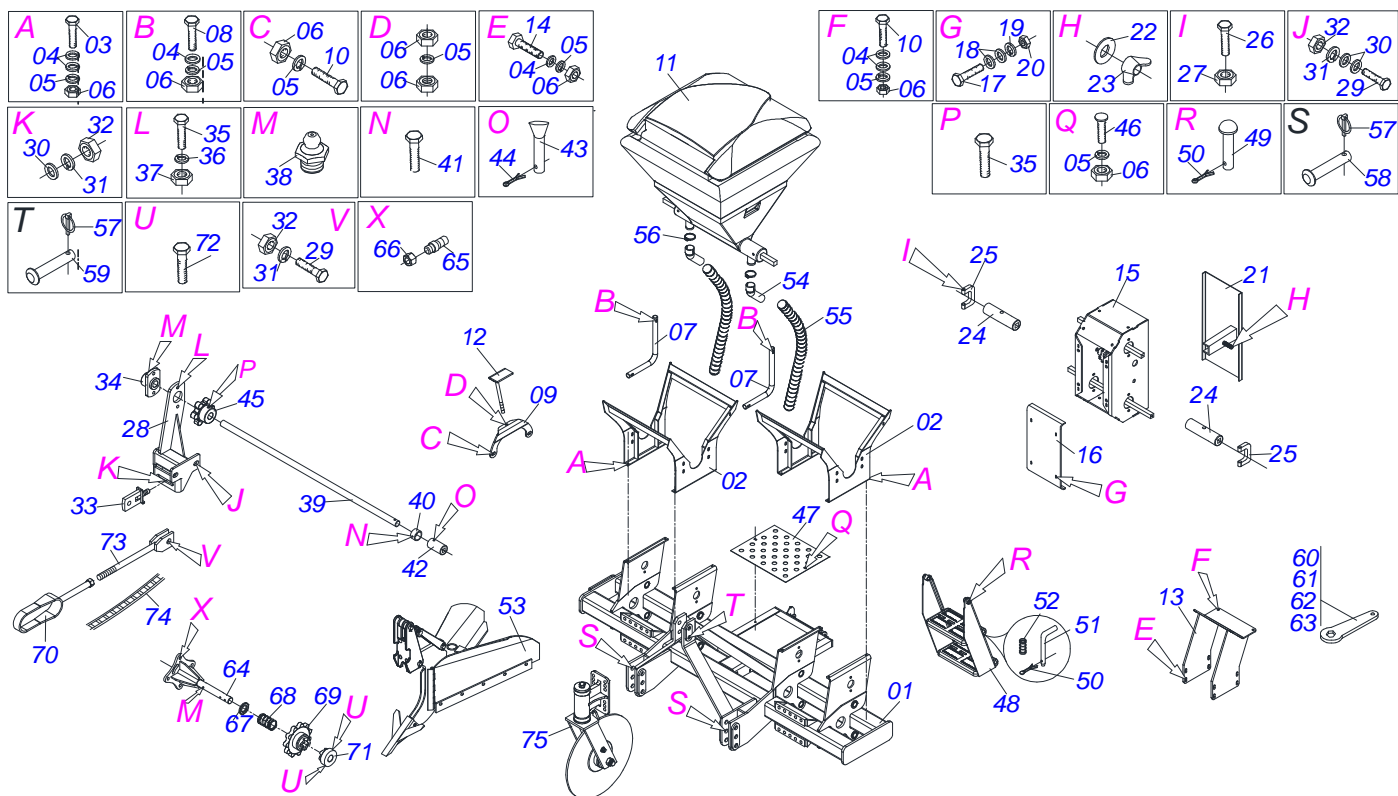


INDEX

0909091460	CHASSI SAT MEC CTP 2L	1
0909091459	CHASSI SAT HIDR CTP 2L	2
0909091477	BEAN FERTILIZER ASSY (REPLACEMENT)	3
0501056287	SPEED BOX VARIADOR	4
0511044355	24" BLADE DISC ASSY	5
0511045142	FURROWER ARM ASSY	6
0501054884	SHANKS SYSTEM ASSY SACM3	7

ATTENTION: IMPORTANT

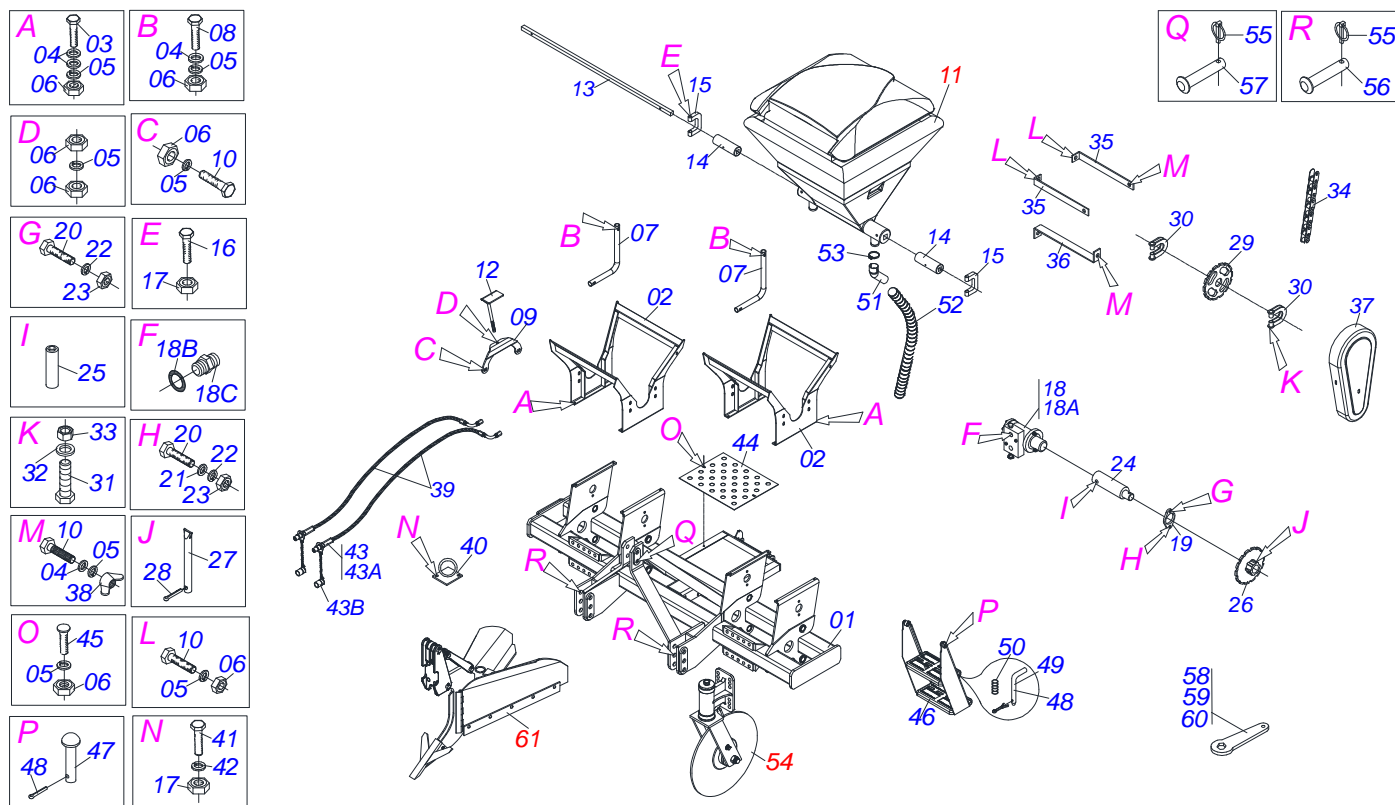
MARCHESAN RESERVES THE RIGHT AT ANY TIME TO MAKE IMPROVEMENTS IN THE DESIGN, MATERIAL OR SPECIFICATIONS OF MACHINERY, EQUIPMENT OR PARTS WITHOUT THEREBY BECOMING LIABLE TO MAKE SIMILAR CHANGES IN MACHINERY, EQUIPMENT OR PARTS PREVIOUSLY SOLD.



Item	Code	Description	QT
01	0511067104	FRAME	01
02	0511067109	SILO SUPPORT	02
03	0503010849	3/8" X 1-1/2" BOLT	08
04	0501010984	FLAT WASHER	44
05	0503010025	3/8" SPRING WHASHER	36
06	0503010026	3/8" NUT	40
07	0541019594	SILO SUPPORT LUG	02
08	0501010096	3/8" X 2" BOLT	04
09	0511067206	FASTENER SUPPORT	04
10	0503011087	3/8" X 1" BOLT	10
11	0501056813	BEAN FERTILIZER ASSY ATÉ 09/2006	02
12	0511067314	FASTENER SINGLE BOX FERTILIZER	04
13	0511067107	SPEED SUPPORT VARIADOR	01
14	0503010751	BOLT	08
15	0501056287	SPEED BOX VARIADOR	01
16	0541019052	SPEED COVER VARIADOR	01
17	0503010461	1/4" X 1" BOLT	04
18	0511017303	FLAT WASHER	08
19	0503010143	1/4" SPRING WASHER	04
20	0503010144	1/4" NUT	04
21	0511066626	SPEED COVER BOX	01
22	0521013303	WASHER	01
23	0503010499	5/16" UNC BUTTERFLY NUT	01
24	0502012007	SQUARE SLEEVE	02
25	0521013222	U PULLER	02
26	0503010397	5/16" X 1-3/4" BOLT	02
27	0503010337	NUT	06
28	0511067106	DRIVING AXLE SUPPORT	01
29	0501010125	3/4" X 2-1/2" BOLT	03
30	0501010322	FLAT WASHER	05
31	0503010023	3/4" SPRING WASHER	04
32	0503010014	3/4" NUT	04
33	0511067394	EAR DISARMENT	01



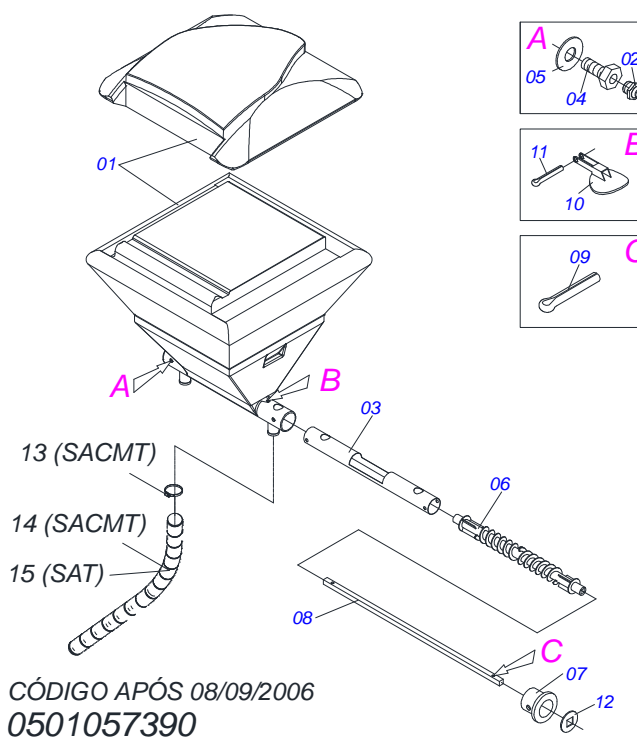
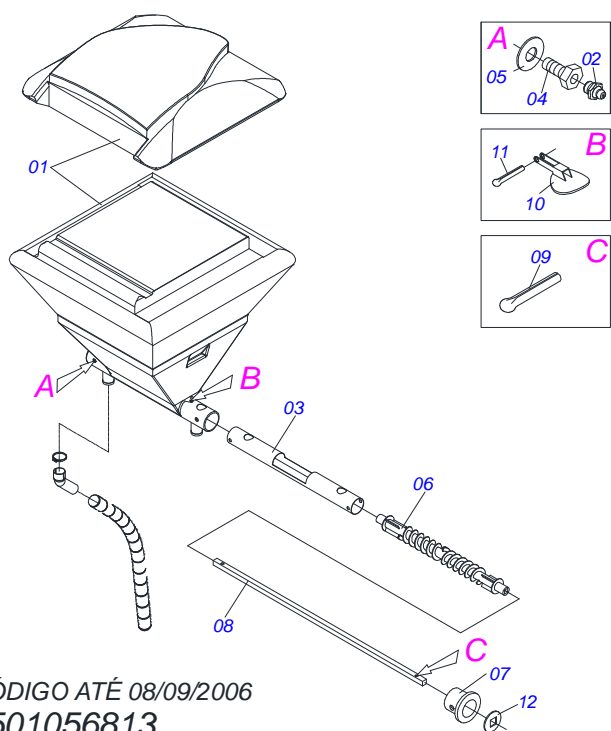
Item	Code	Description	QT
34	0501110014	AGRICULTURAL BEARING	01
35	0501010077	1/2" X 2" BOLT	04
36	0503010019	1/2" SPRING WASHER	18
37	0503010060	1/2" NUT	18
38	0503010002	GREASE FITTING	18
39	0541018896	DRIVER AXLE	01
40	0501010783	DRIVING AXLE LUCK	01
41	0503010834	1/2" X 1" BOLT	01
42	0511067108	SLEEVE AXLE DRIVING	01
43	0521010530	COUPLING SHAFT	01
44	0503010140	1/8" X 3/4" COTTERPIN	01
45	0502010156	6Z GEAR	01
46	0501011643	NUT	02
47	0541018908	PLATFORM BODY	01
48	0501069281	RIGHT LADDER	01
49	0521010542	COUPLING SHAFT	02
50	0503010257	1/8" X 1" COTTERPIN	02
51	0521011249	LADDER LOCK PIN	01
52	0503030190	0.5" X 1.6" X 0.05" SPRING	01
53	0501054884	SHANKS SYSTEM ASSY SACM3	02
54	0503030150	BEND SOCKET	04
55	0501010769	2" X 31.5" HOSE ASSY	04
56	0503010246	2" TO 2/1/2" CLAMP	04
57	0511067339	HOSE SUPPORT	04
58	0503013096	5/16" X 4" BOLT	04
59	0503010179	SPRING WASHER	04
60	0521012126	1.3" CABLE FLAT WRENCH HEX	01
61	0531014773	2.3 CABLE FLAT WRENCH HEX	01
62	0521012199	1.6" GANG BOLT WRENCH	01
63	0521012200	2" CABLE FLAT WRENCH	01
64	0501061186	MOTOR SUPPORT	01
65	0501010762	STUD	04
66	0501016992	3/4" CONIC NUT	04
67	0501010765	SPINDLE GUIDE	01
68	0503030086	COMPRESSION SPRING	01
69	0502010121	11Z GEAR	01
70	0501061189	COUPLING/UNCOUPLING ARM	01
71	0502011379	RH FOLLOWER	01
72	0503010734	1/2" X 2-1/2" BOLT	02
73	0501067747	ROD DRIVING	01
74	0503010252	57 CHAIN X 63 LINK	01
75	0511044355	24" BLADE DISC ASSY	02



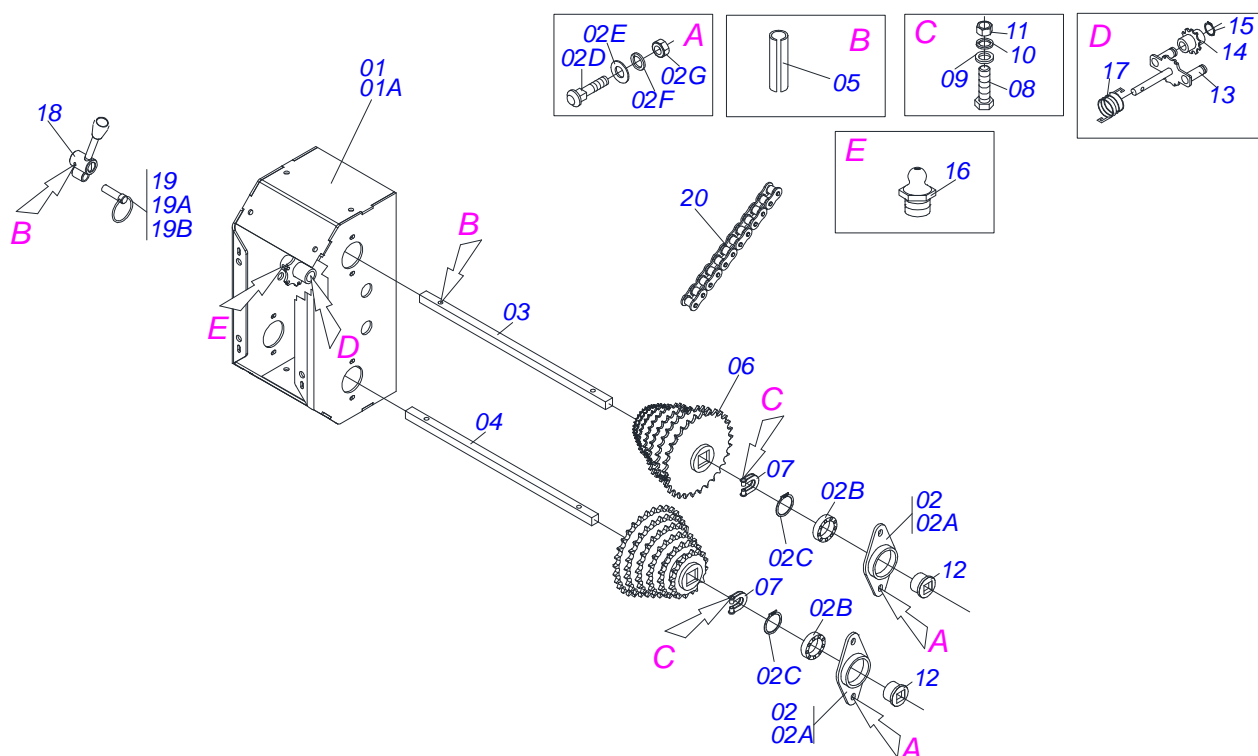
Item	Code	Description	QT
01	0511067104	FRAME	01
02	0511067109	SILO SUPPORT	02
03	0503010849	3/8" X 1-1/2" BOLT	08
04	0501010984	FLAT WASHER	23
05	0503010025	3/8" SPRING WHASHER	29
06	0503010026	3/8" NUT	30
07	0541019594	SILO SUPPORT LUG	02
08	0501010096	3/8" X 2" BOLT	04
09	0511067206	FASTENER SUPPORT	04
10	0503011087	3/8" X 1" BOLT	11
11	0501056813	BEAN FERTILIZER ASSY ATÉ 09/2006	02
12	0511067314	FASTENER SINGLE BOX FERTILIZER	04
13	0511011539	3/4" SQUARE SHAFT	01
14	0502012007	SQUARE SLEEVE	02
15	0521013222	U PULLER	02
16	0503010397	5/16" X 1-3/4" BOLT	02
17	0503010337	NUT	04
18	0501053421	VALVE MOTOR HYDRAULIC ASSY	01
18A	0503012829	VALVE HYDRAULIC MOTOR ASSY	01
18B	0503010045	2-116 N 3006-9B O'RING	02
18C	0501010590	7/8" REDUCTION NIPPLE	02
19	0541019115	HYDRAULIC MOTOR FLANGE	01
20	0503011172	1/2" X 2-1/2" BOLT	02
21	0511017302	FLAT WASHER	01
22	0503010019	1/2" SPRING WASHER	18
23	0503010060	1/2" NUT	18
24	0511067266	HIDRAULIC MOTOR AXLE	01
25	0503011136		01
26	0502010411	10Z GEAR	01
27	0521010530	COUPLING SHAFT	01
28	0503010140	1/8" X 3/4" COTTERPIN	01
29	0502011318	10Z GEAR	01
30	0521010691	AXLE FASTENER	02



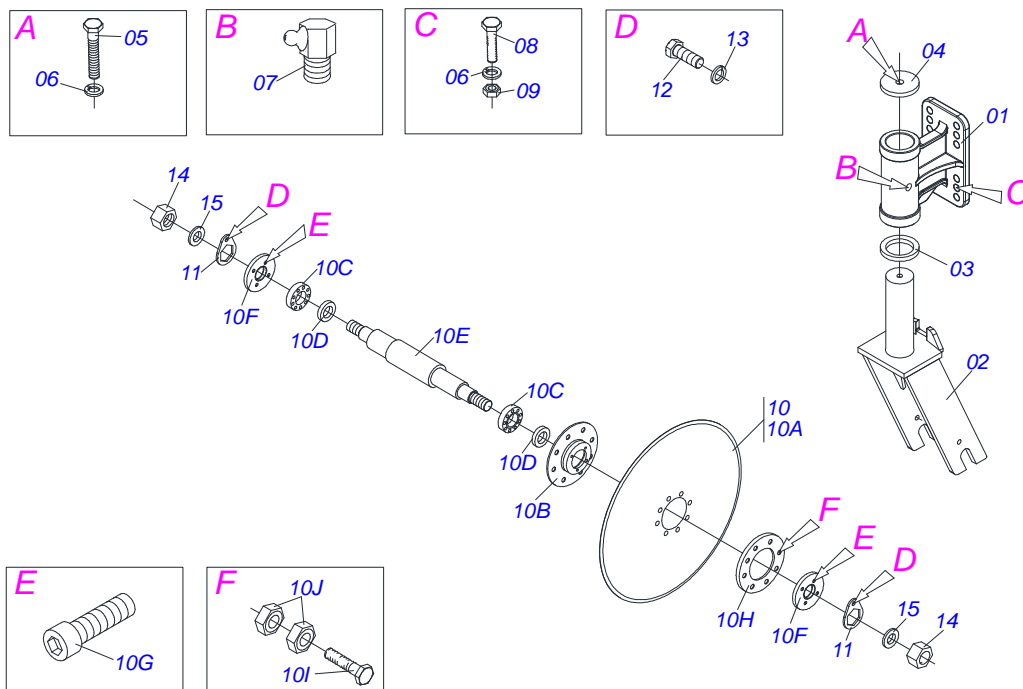
Item	Code	Description	QT
31	0503010373	1/4" X 2" BOLT	02
32	0511017303	FLAT WASHER	02
33	0503010144	1/4" NUT	02
34	0503013996	2050 CHAIN X 28 LINK + REDUCTION	01
35	0541019406	CHAIN CAP UPPER SUPPORT	02
36	0541019404	CHAIN CAP LOWER SUPPORT	01
37	0541019618	CHAIN CAP	01
38	0503010209	3/8" UNC BUTTERFLY NUT	03
39	0501080097	1/2" X 98" TC-TM HOSE ASSY	02
40	0511062800	HOSE ASSY FIZER	01
41	0503010371	NUT	02
42	0503010179	SPRING WASHER	02
43	0501053834	QUICK CONECTION (MALE) 1/2NPT	02
43A	0503011627	QUICK CONNECTION (MALE) AGR 1/2 NPT	01
43B	0503011882	QUICK CONNECTION COVER	01
44	0541018908	PLATFORM BODY	01
45	0501011643	NUT	02
46	0501069281	RIGHT LADDER	01
47	0521010542	COUPLING SHAFT	02
48	0503010257	1/8" X 1" COTTERPIN	03
49	0521011249	LADDER LOCK PIN	01
50	0503030190	0.5" X 1.6" X 0.05" SPRING	01
51	0503031050	CURVED CONDUCTOR	04
52	0501010769	2" X 31.5" HOSE ASSY	04
53	0503010246	2" TO 2 1/2" CLAMP	04
54	0511044355	24" BLADE DISC ASSY	02
55	0503030085	LOCK PIN	03
56	0521012124	FRAME TRACTOR AXLE LOWER FIXER	02
57	0521012533	0.9" X 5.5" COUPLING SHAFT	01
58	0531014773	2.3 CABLE FLAT WRENCH HEX	01
59	0521012199	1.6" GANG BOLT WRENCH	01
60	0521012200	2" CABLE FLAT WRENCH	01
61	0511045142	FURROWER ARM ASSY	02



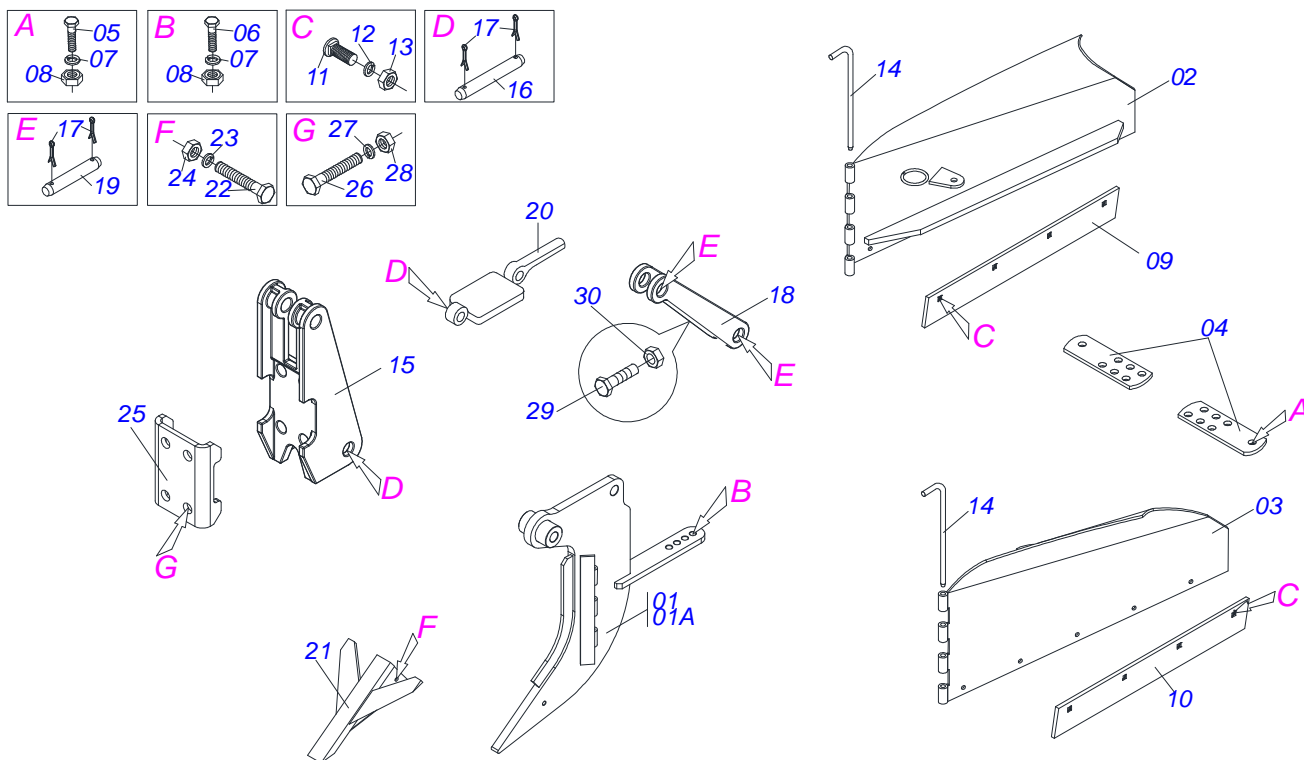
Item	Code	Description	SA-T/SACM-T
01	0503061556	COVER FERTILIZER BOX	01
02	0503010691	1/4" GREASE FITTING	04
03	0503032838	TUBE GUIDE	01
04	0541014215	BEARING BOLT	04
05	0511017302	FLAT WASHER	04
06	0511065979	SCREW THREAD	01
07	0551015225	FERTILIZER CONDUCTOR BEARING	02
08	0541014214	SQUARE SHAFT	01
09	0503010571	1/4" X 1.1/2" COTTERPIN	02
10	0511067667	COVER SOCKET	02
11	0503010362	1/8" X 1.1/4" COTTERPIN	02
12	0501010637	FLAT WASHER	02
13	0503011266	CLAMP 2.1/4" A 3" 57-76	02
14	0551013395	2.1/2" HOSE	02
15	0551013402	2.1/2" HOSE	02



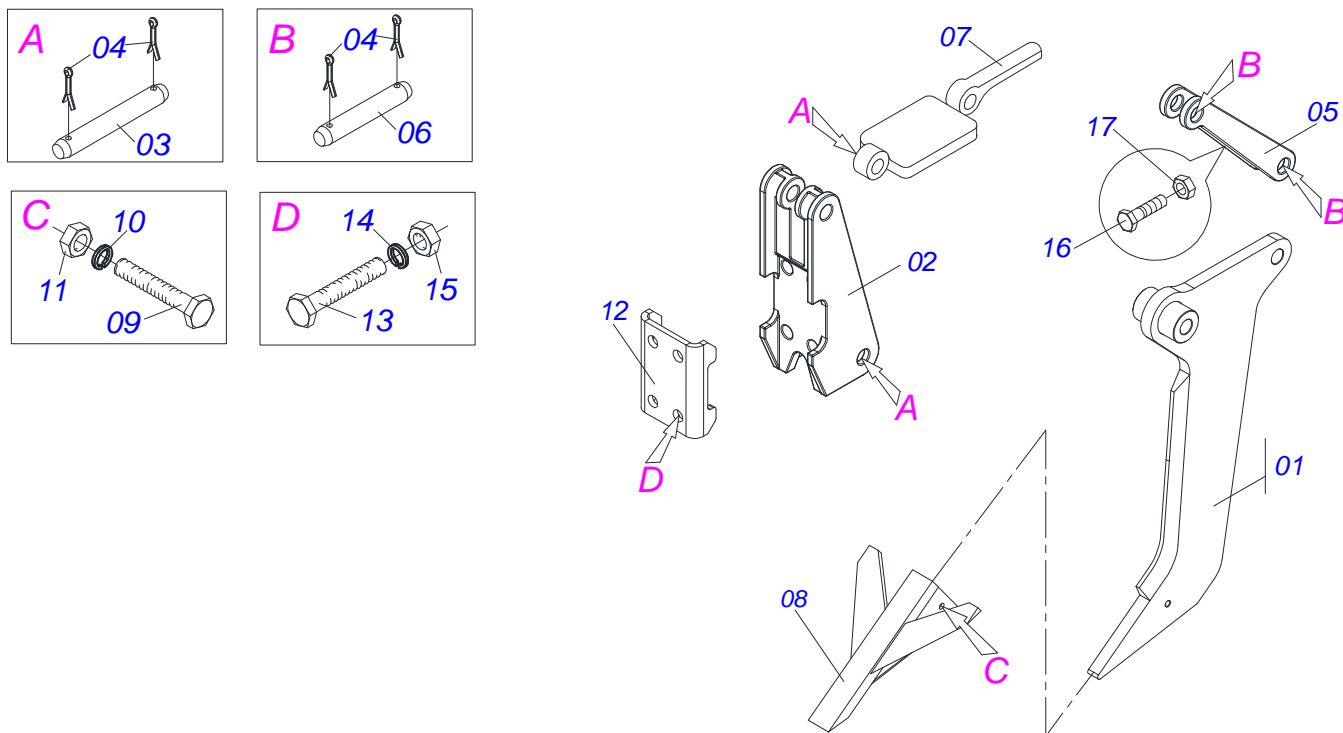
Item	Code	Description	QT
01	0501056287	SPEED BOX VARIADOR	01
01A	0511066625	SPEED BOX VARIADOR	01
02	0501053361	SPEED DOUB BEARING VARIADOR	04
02A	0502011987	DOUBLE HOUSING BEARING	01
02B	0503011410	BALL BEARING	02
02C	0503011105	502047 CLAMPING RING (FOR AXLE)	01
02D	0503011953		02
02E	0501010694	FLAT WASHER	02
02F	0503010179	SPRING WASHER	02
02G	0503010337	NUT	02
03	0521013283	SPEED AXLE TRANSMISSION	01
04	0541016956	SPEED AXLE TRANSMISSION	01
05	0503010292	0.2" X 1.6" SPRING PIN	05
06	0501069700	FERTILIZER GEAR ASSY	02
07	0521010691	AXLE FASTENER	04
08	0503010373	1/4" X 2" BOLT	04
09	0511017303	FLAT WASHER	04
10	0503010143	1/4" SPRING WASHER	04
11	0503010144	1/4" NUT	04
12	0503011527	M12 X 2.8" WITH NUT BOLT	04
13	0511060393	CHAIN TENSIONER ASSY	01
14	0503031805	11Z 1/2" GEAR	02
15	0503010302	501019 CLAMPING RING (FOR AXLE)	02
16	0503010002	GREASE FITTING	01
17	0503031366	TORSION SPRING	01
18	0502011758	REAR TENSIONER LEVER (PST3/ULTRA)	01
19	0501048790	AXLE WITH LINK ASSY	01
19A	0521012476	GEAR BOX LEVER AXLE	01
19B	0503031369	RING 40 X 2,5	01
20	0503012143	78 CHAIN X 40-1 LINK + REDUCTION	01



Item	Code	Description	
01	0502012370	WITH BLADE DISC SUPPORT	01
02	0511067105	BLADE DISC FORK	01
03	0541018869	FLAT WASHER	01
04	0541018868	FLAT WASHER	01
05	0501010098	3/4" X 2" BOLT	01
06	0503010023	3/4" SPRING WASHER	05
07	0503010004	GREASE FITTING	01
08	0501010500	3/4" X 3" BOLT	04
09	0503010014	3/4" NUT	04
10	0501056943	24" BLADE DISC	01
10A	0603030044	24" X 0.2" FLAT PLAIN DISC	01
10B	0502011478	DISC HUB	01
10C	0503011291	6209 BALL BEARING	02
10D	0503012106	00521-BR SEAL	02
10E	0521012661	BLADE DISC AXLE HUB	01
10F	0502011477	BLADE DISC HOUSIG CP	02
10G	0521011824	BLADE DISC FLANGE OUTER	01
10H	0503010134	3/8" X 1" BOLT	08
10I	0503011172	1/2" X 2-1/2" BOLT	08
10J	0503010060	1/2" NUT	16
11	0501069637	AXLE NUT LOCK	02
12	0503010962	5/8" X 1-1/4" BOLT	02
	0503010027	5/8" SPRING WASHER	02
14	0521012664	FLAT WASHER	02
15	0501010087	1.1/4" UNC NUT	02



Item	Code	Description	QT
01	0511045142	FURROWER ARM ASSY	01
01A	0501069713	FURROWER ARM	01
02	0511067531	WING RIGHT SET	01
03	0511067530	WING LEFT SET	01
04	0551011638	ADJUSTMENT BAR	02
05	0503010899	5/8" X 2-1/4" BOLT	02
06	0501013233	5/8" X 2-3/4" BOLT	01
07	0503010027	5/8" SPRING WASHER	03
08	0503010013	5/8" NUT	03
09	0541019275	RIGHT SCRAPER	01
10	0541019276	LEFT SCRAPER	01
11	0503011426	7/16" X 1-1/4" BOLT	10
12	0503010180	7/16" SPRING WASHER	10
13	0503010244	7/16" NUT	10
14	0521012821		02
15	0502011165	REAR FIXER	01
16	0511015688	1.1" X 7.1" COUPLING SHAFT	01
17	0503010571	1/4" X 1.1/2" COTTERPIN	08
18	0502011164	SUPPORT SPRING	01
19	0511015689	1.1" X 3.5" COUPLING SHAFT	02
20	0521011631	AUTOMATIC RESET	01
21	0501069716	SUBSOILER TIP CUERPO	01
22	0503011236	3/8" X 2" BOLT	01
23	0503010025	3/8" SPRING WHASHER	01
24	0503010026	3/8" NUT	01
25	0502011166	FRONT FIXER	01
26	0511019527	1" X 8" BOLT	04
27	0503011438	1" SPRING WASHER	04
28	0503010340	1" UNF NUT	04
29	0503011173	7/16" X 2" BOLT	01
30	0503010244	7/16" NUT	01



Item	Code	Description	QT
01	0511064994	FURROWER ARM	01
02	0502011165	REAR FIXER	01
03	0511015688	1.1" X 7.1" COUPLING SHAFT	02
04	0503010571	1/4" X 1.1/2" COTTERPIN	08
05	0502011164	SUPPORT SPRING	01
06	0511015689	1.1" X 3.5" COUPLING SHAFT	02
07	0521011631	AUTOMATIC RESET	01
08	0511067838	POINT SUBSOILER	01
09	0503011236	3/8" X 2" BOLT	01
10	0503011443	3/8" SPRING WASHER	01
11	0503010026	3/8" NUT	01
12	0502011166	FRONT FIXER	01
13	0511019527	1" X 8" BOLT	04
14	0503011438	1" SPRING WASHER	04
15	0503010340	1" UNF NUT	04
16	0503011195	7/16" X 1.3/4" BOLT	01
17	0503010244	7/16" NUT	01

ANNOTATIONS

Handwriting practice area consisting of 20 horizontal lines within a rounded rectangular frame.

**ORIGINAL PARTS
TATU**





MARCHESAN IMPLEMENTOS E MÁQUINAS AGRÍCOLAS TATU S.A.

AV. Marchesan, 1979 - Post office box, 131 - CEP 15994-900 - Matão - SP - Brazil

Phone +55 16.3382-8282

(FAX Parts) + 55 16.3382. 8297 - (Export) + 55 16.3382.1003

e.mail: tatu@marchesan.com.br www.marchesan.com.br

Drafting and Illustration = GASPARI
e.mail = jgaspari@marchesan.com.br

**ORIGINAL PARTS
TATU**

