

# PARTS CATALOG

## IMPLEMENTS FOR SUGAR CANE

ALF 02L ESP 1300 A 1500

Code: 0501091296



Series: S-0699

Rev.: 00

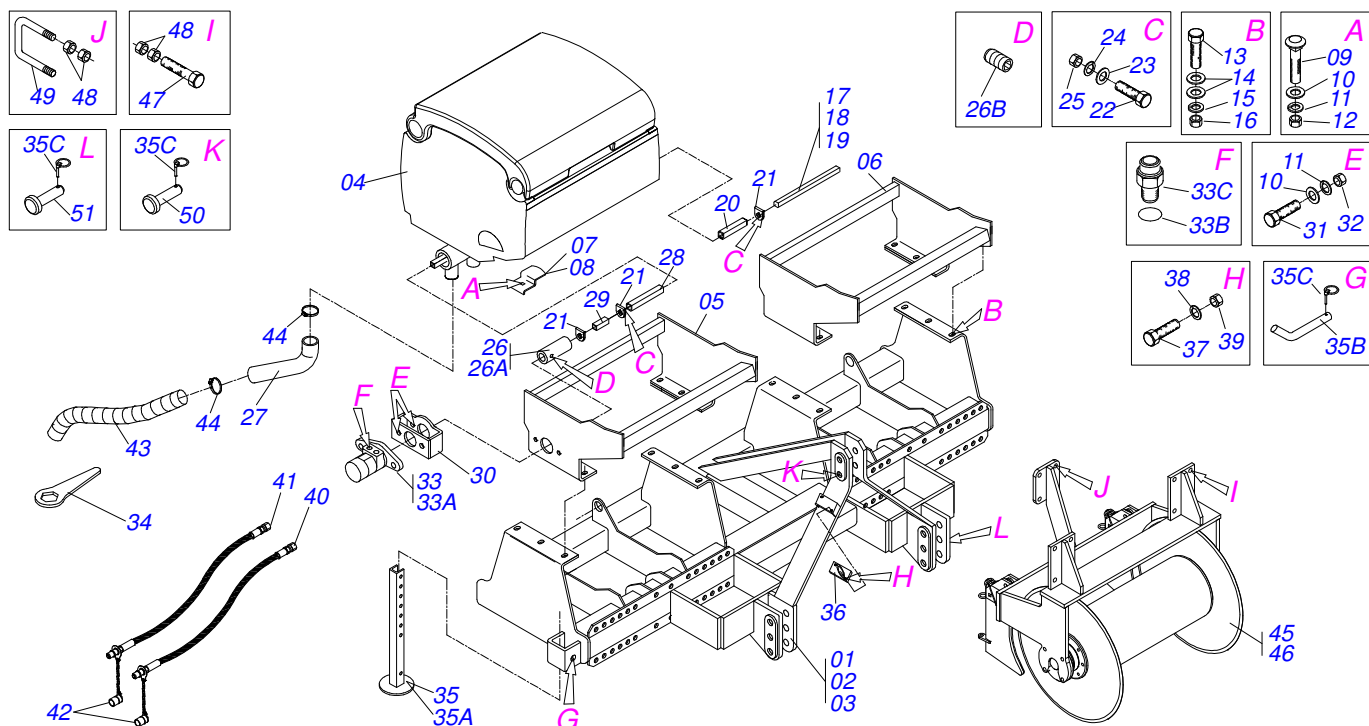
Date Rev.: JUNHO/1999

ORIGINAL PARTS  
TATU



# INDEX

0909091463	ALF 2L ESP 1300/1400/1500	.....	1
0501052221	FERTILIZER BEAM ASSY	.....	2
0909091473	FORK WITH ROLLER	.....	3

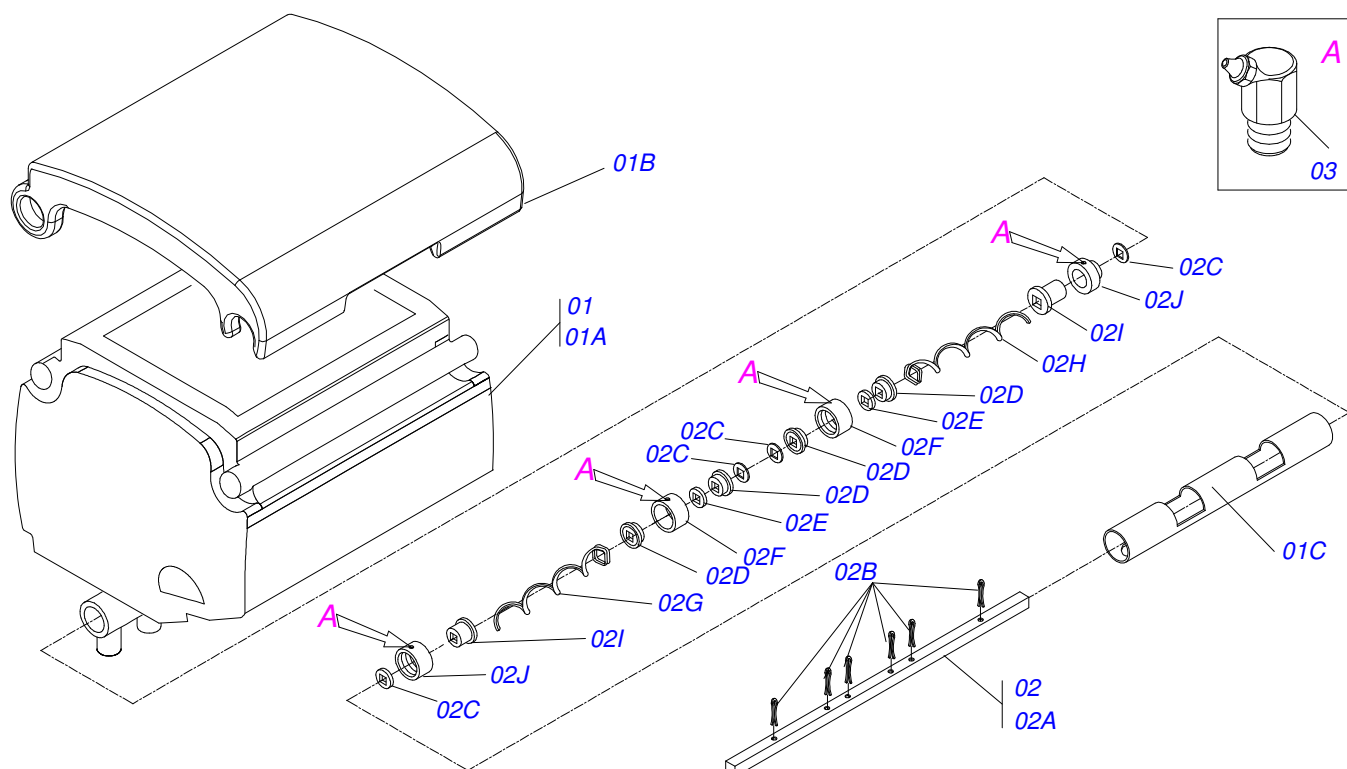


Item	Code	Description	1300	1400	1500
01	0501069422	FRAME CATEGORY II ESPC 1300 SACM2 2L DC	01	00	00
02	0501069612	FRAME CATEGORY II ESPC 1400 SACM2 2L DC	00	01	00
03	0501069476	FRAME CATEGORY II ESPC 1500 SACM2 2L DC	00	00	01
04	0501052221	FERTILIZER BEAM ASSY	02	02	02
05	0511060344	FERTILIZER BEAM SUPPORT	01	01	01
06	0511060345	LH FERTILIZER BOX SUPPORT	01	01	01
07	0521013865	FERTILIZER BEAM SIDE RIGHT	02	02	02
08	0521013617	FERTILIZER BEAM SIDE LEFT	02	02	02
09	0501010524	1/2" X 2" BOLT	04	04	04
10	0511017302	FLAT WASHER	08	08	08
11	0503010019	1/2" SPRING WASHER	08	08	08
12	0503010020	1/2"NUT	04	04	04
13	0503010232	5/8" X 1.3/4" BOLT	12	12	12
14	0501012140	FLAT WASHER	24	24	24
15	0503010027	SPRING WASHER	12	12	12
16	0503010013	5/8" NUT	12	12	12
17	0521013957	3/4" X 22.4" SQUARE SHAFT	01	00	00
18	0521013958	3/4" X 26.3" SQUARE SHAFT	00	01	00
19	0521013959	3/4" X 30.2" SQUARE SHAFT	00	00	01
20	0501018672	AXLE SLEEVE	02	02	02
21	0521010691	AXLE FASTENER	04	04	04
22	0503010373	1/4" X 2" BOLT	04	04	04
23	0501010694	FLAT WASHER	04	04	04
24	0503010143	SPRING WASHER	06	06	06
25	0503010144	1/4" NUT	06	06	06
26	0501049324	MOTOR HYDRAULIC BOLT SLEEVE	01	01	01
26A	0501069662	MOTOR HYFRAULIC SLEEVE	01	01	01
26B	0503011136	1/2" X 1/2" CSI BOLT	01	01	01
27	0503031050	CURVED CONDUCTOR	04	04	04
28	0521013954	SQUARE SHAFT	01	01	01
29	0511014217	0.8" X 2" SQUARE SLEEVE	01	01	01
30	0511060346	FIXER MOTOR SUPPORT	01	01	01
31	0503010920	1/2" X 1.1/2" BOLT	04	04	04



ALF 02L ESP 1300 A 1500  
ALF 2L ESP 1300/1400/1500

Item	Code	Description	1300	1400	1500
32	0503010060	1/2" NUT	04	04	04
33	0501053421	VALVE MOTOR HYDRAULIC ASSY	01	01	01
33A	0503012829	VALVE HYDRAULIC MOTOR ASSY	01	01	01
33B	0503010045	2-116 N 3006-9B O'RING	05	05	05
33C	0501010590	7/8" REDUCTION NIPPLE	02	02	02
34	0521012126	1.3" CABLE FLAT WRENCH HEX	01	01	01
35	0501051903	PLOUGH SUPPORT ASSY	03	03	03
35A	0511060688	900 PLOUGH SUPPORT	03	03	03
35B	0501011075	PIN	03	03	03
35C	0503030085	LOCK PIN	06	06	06
36	0511062800	HOSE ASSY FIZER	01	01	01
37	0503010371	5/16" X 1" BOLT	02	02	02
38	0503010179	SPRING WASHER	02	02	02
39	0503010337	5/16" NUT	02	02	02
40	0501080740	1/2" X 12" TC-TM HOSE ASSY	01	01	00
41	0501080676	1/2" X 122" HOSE ASSY TC-TM	00	00	01
42	0501053834	MALE QUICK COUPLING AGRICULTURAL WITH	02	02	02
43	0501010769	2" X 31.5" HOSE ASSY	04	04	04
44	0503010246	CLAMP	12	12	12
45	0501048410	FORK WITH ROLLER	02	02	02
46	0501048413	ROLLER WITH FORK	02	02	02
47	0503010901	3/4UNC 3.1/2 BOLT	16	16	16
48	0503010014	3/4" NUT	32	32	32
49	0521012329	3/4 UNC X 130 X 173 FASTENER	04	04	04
50	0521012533	COUPLING SHAFT	01	01	01
51	0521012124	COUPLING SHAFT	02	02	02



Item	Code	Description	QT
00	0501052221	FERTILIZER BEAM ASSY	
01	0503031548	YELLOW COVER/FERTILIZER BEAM GREEN	01
01A	0503031534	FERTILIZER BEAM GREEN	01
01B	0503031535	FERTILIZER BEAM COVER YELLOW	01
01C	0521013953	Ø 60 X Ø 53 X 645 PVC TUBE	01
02	0501052148	FERTILIZER BEAM AXLE ASSY	01
02A	0521013952	3/4" X 28.4" FERTILIZER BEAM AXLE Q	01
02B	0503010571	1/4" X 1.1/2 COTTERPIN	06
02C	0501010637	FLAT WASHER	04
02D	0503031527	AGRICULTURAL BEARING	04
02E	0501013774	GREASE SEAL	02
02F	0502011681	GUIDES AXLE FERTILIZER SLEEVE CENTE	02
02G	0503031469	RIGHT HELICAL SPRING	01
02H	0503031471	LEFT HELICAL SPRING	01
02I	0503030275	AGRICULTURAL BEARING	02
02J	0502020646	FERTILIZER AXLE SLEVE GUIDES	02
03	0503012102	GREASE FITTING	04







**MARCHESAN**

**MARCHESAN IMPLEMENTOS E MÁQUINAS AGRÍCOLAS TATU S.A.**

AV. Marchesan, 1979 - Post office box, 131 - CEP 15994-900 - Matão - SP - Brazil

Phone +55 16.3382-8282

(FAX Parts) + 55 16.3382. 8297 - (Export) + 55 16.3382.1003

e.mail: [tatu@marchesan.com.br](mailto:tatu@marchesan.com.br) [www.marchesan.com.br](http://www.marchesan.com.br)

**Technical Publications: Elaboration**

ALESSANDRA PATRICIA KAWAHARA CARRILI

*Contact Catálogo:*

*E-mail = [jgaspari@marchesan.com.br](mailto:jgaspari@marchesan.com.br)*

**ORIGINAL PARTS  
TATU**



**MARCHESAN**