

PARTS CATALOG

IMPLEMENTS FOR SUGAR CANE

CCP-BE

Code: 0501091295



Series: S-0606

Rev.: 00

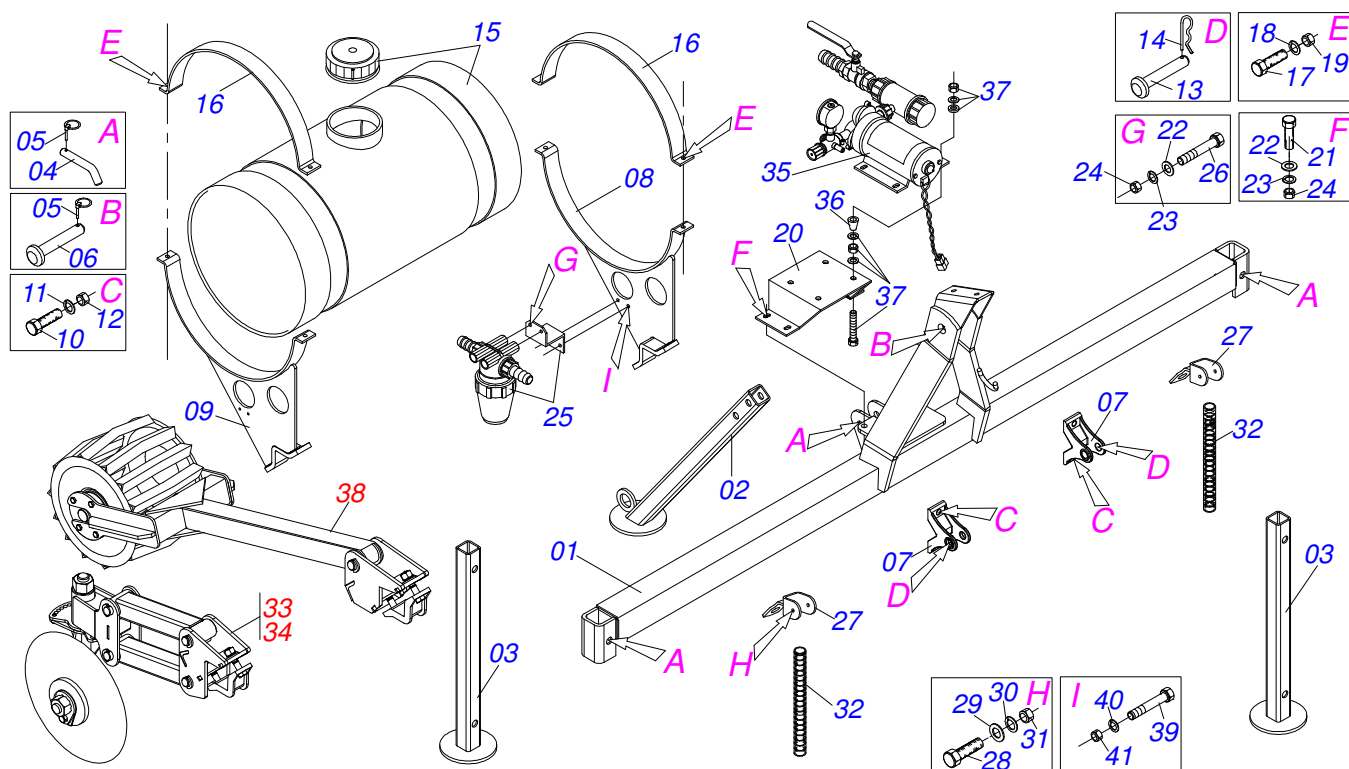
Date Rev.: JUNHO/2006

**ORIGINAL PARTS
TATU**



INDEX

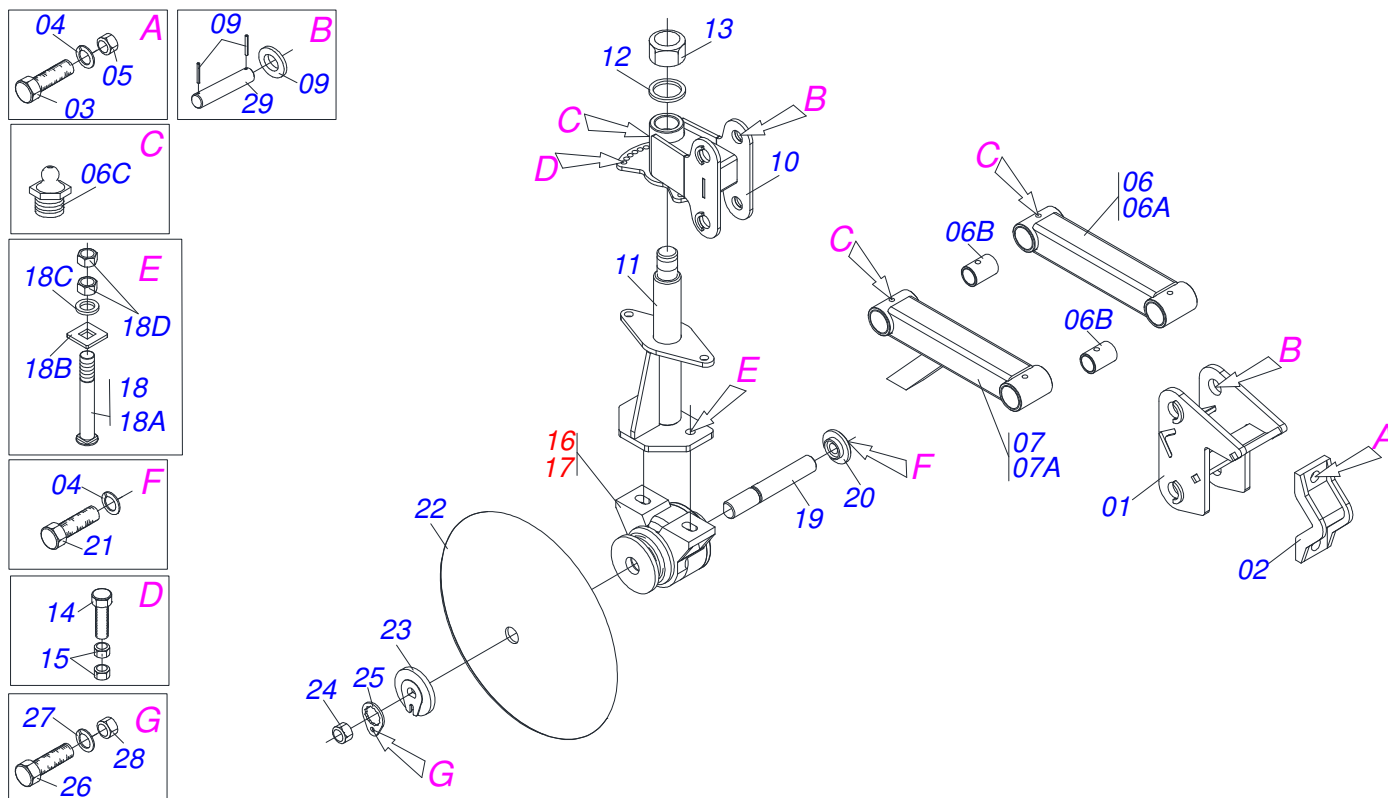
0909092965	FRAME	1
0909092775	COVER DISC (OPTIONAL)	2
0909091458	DM OL 151 1.1/4" AGRICULTURAL BEARING	3
0909092776	ROLLER COMPACTOR	4
0909092966	HYDRAULIC CIRCUIT	5



Item	Code	Description	QT
01	0511067890	FRAME CATEGORY II CCP 2L S-0606	01
02	0511067894	CENTRAL PLOUGH SUPPORT	02
03	0511067895	SIDE PLOUGH SUPPORT	02
04	0501011075	PIN	04
05	0503030085	LOCK PIN	05
06	0521010578	COUPLING SHAFT	01
07	0502011204	FRAME HITCH	02
08	0511067893	TANK SUPPORT FIXATION	01
09	0511067958	TANK FIXER RIGHT SUPPORT	01
10	0503010797	3/4" X 4" BOLT	04
11	0503010023	SPRING WASHER	04
12	0503010014	3/4" NUT	04
13	0521010595	1.1" X 4.3" COUPLING SHAFT	02
14	0503031035	HAIR PIN	02
15	0503061627	TANK ASSY	01
16	0551012147	TANK FIXER RIBBON	02
17	0503010740	1/2" X 2" BOLT	02
18	0503010019	1/2" SPRING WASHER	04
19	0503010060	1/2" NUT	04
20	0551016584	ELECTRIC OIL PUMP SUPPORT	01
21	0503010365	NUT	04
22	0501010694	FLAT WASHER	10
23	0503010179	SPRING WASHER	06
24	0503010337	5/16" NUT	06
25	0503012997	LINE FILTER	01
26	0503010937	5/16" X 3" BOLT	02
27	0511068483	SPRING SUPPORT	02
28	0503010373	1/4" X 2" BOLT	02
29	0511017303	FLAT WASHER	02
30	0503010143	SPRING WASHER	02
31	0503010144	1/4" NUT	02
32	0503014260	22 X 300 SPRING	02
33	0511045335	RIGHT DISC COVER	02



Item	Code	Description	QT
34	0511045336	LH DISC COVER	02
35	0503061686	PUMP ASSY	01
36	0503012986	VIBRATION ABSORBER	04
37	0503012995	PUMP FIXER BOLT ASSY	01
38	0511045642	PRESSURE ROLLER	01
39	0503010461	1/4" X 1" BOLT	02



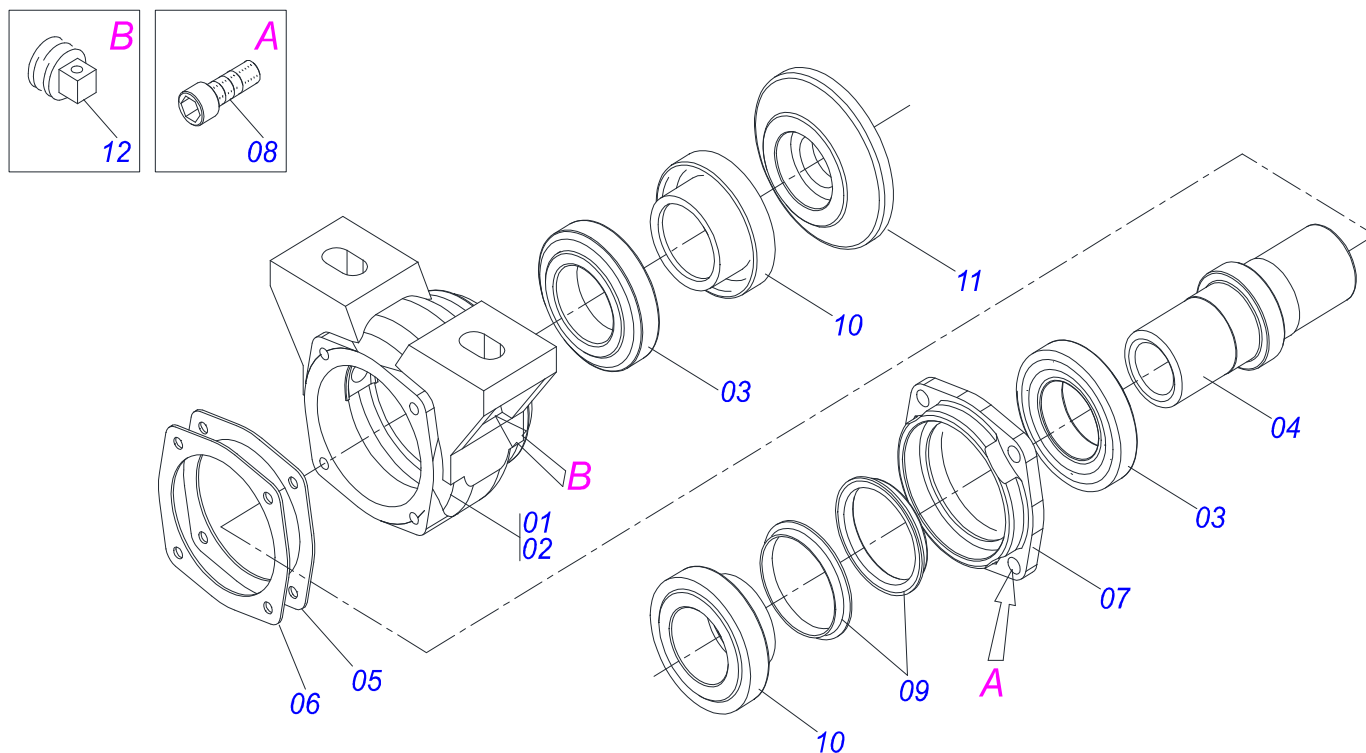
Item	Code	Description	DIR ESQ
00	0511045335	RIGHT DISC COVER	02 00
00A	0511045336	LH DISC COVER	00 02
01	0511067891	PARALELOGRAMA FIXER SUPPORT	01 01
02	0502010819	TRACTOR HITCH FIXER	01 01
03	0503010901	3/4UNC 3.1/2 BOLT	02 02
04	0503010023	SPRING WASHER	03 03
05	0503010014	3/4" NUT	02 02
06	0501052393	ROCKING DRIVER	02 01
06A	0511060990	ROCKING DRIVER	02 01
06B	0521012122	DRIVER ROCKING SLEEVE SUPPORT	04 04
06C	0503010002	1800 GREASE FITTING	03 03
07	0501057760	ROCKING DRIVER ASSY	00 01
07A	0511068854	LOWER ROCKING DRIVER	00 01
08	0521011132	FLAT WASHER	04 04
09	0503010839	03"X 0.6" SPRING PIN	08 08
10	0511067959	SUPPORT ADJUSTING DISC COVER	01 01
11	0511063098	DISC SUPPORT UPPER	01 01
12	0521012120	WASHER	01 01
13	0501010110	1.1/2" NUT	01 01
14	0503011195	7/16" X 1.3/4" BOLT	02 02
15	0503010244	7/16" NUT	04 04
16	0501049011	BEARING GUARD	00 01
17	0501049010	BEARING	01 00
18	0501048963	5/8" X 2-1/2" BOLT ASSY	02 02
19	0521015310	1.1/4 UNC X 206 AXLE	01 01
20	0521015311	WASHER	01 01
21	0501010098	HEX BOLT 3/4 UNC X 2 C S G.5 ZN	01 01
22	0601025002	18" X 0.1" PLAIN DISC BLADE	01 01
23	0502010835	1-1/4" EXTERNAL AXLE WASHER	01 01
24	0501010087	1.1/4" NUT	01 01
25	0501010455	1.1/4" NUT LOCK	01 01
26	0501010161	1/2" X 1.1/4" BOLT	01 01
27	0503010019	1/2" SPRING WASHER	01 01



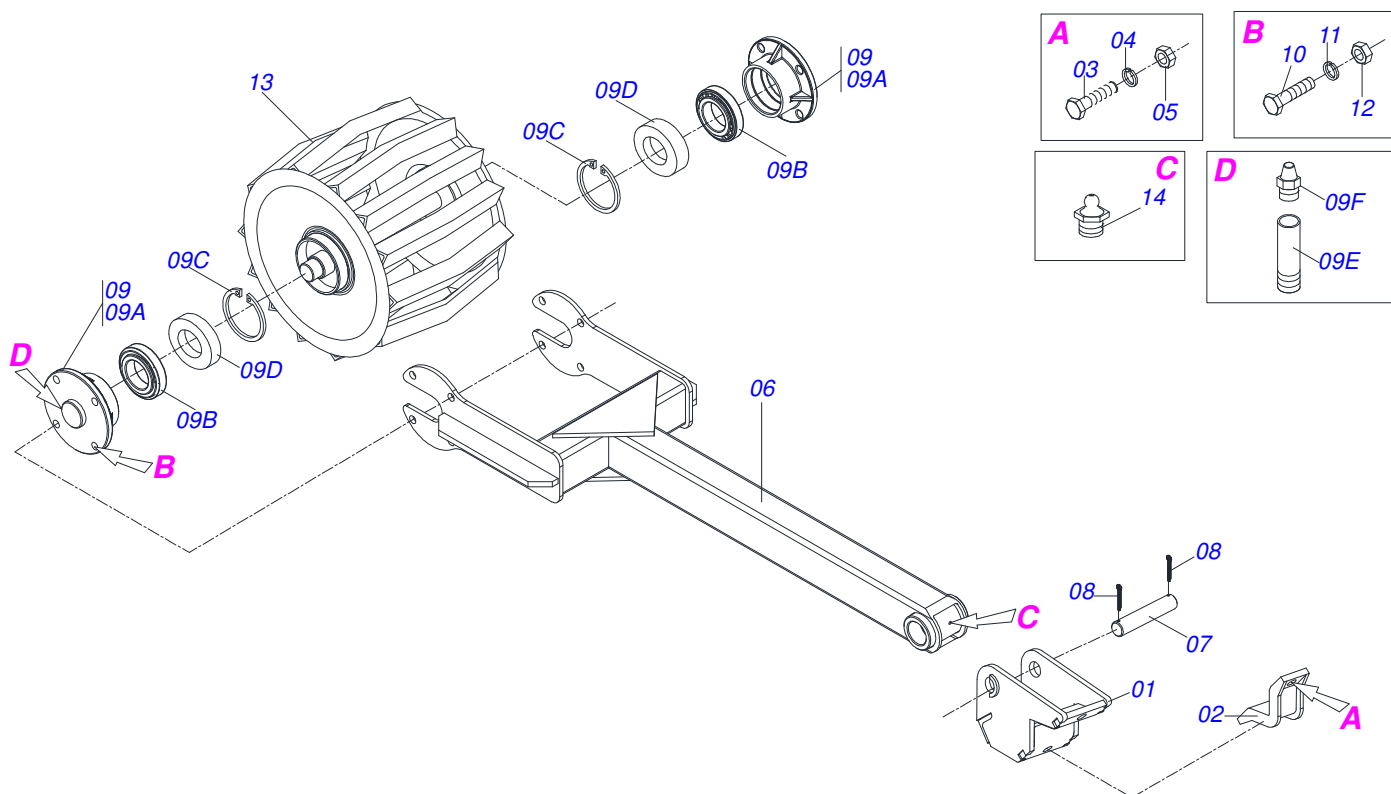
CCP-BE
COVER DISC (OPTIONAL)

Page 2
0909092775

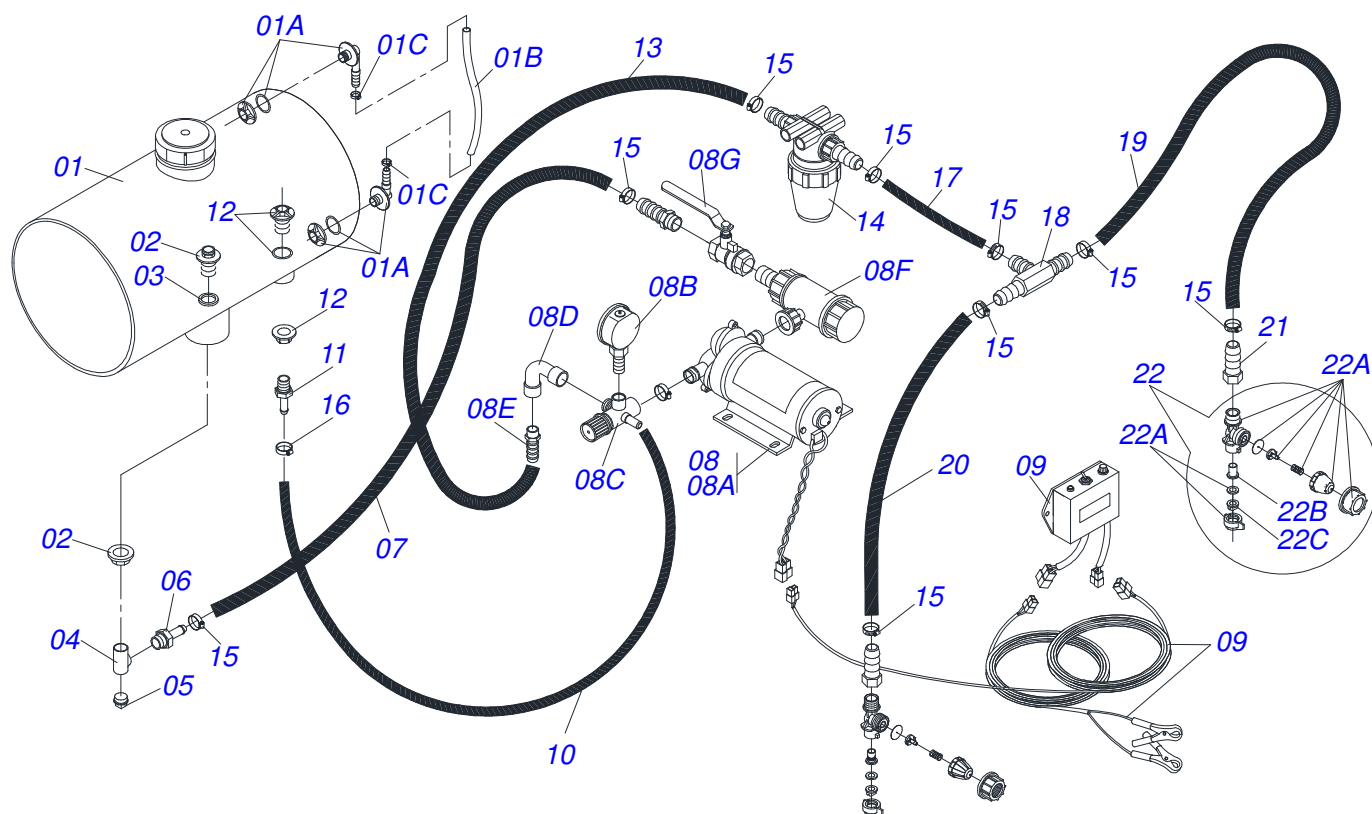
Item	Code	Description	DIR ESQ
28	0503010060	1/2" NUT	01 01
29	0551012149	31,75 X 130 AXLE	04 04



Item	Code	Description	QT
00	0501049010	BEARING	01
00A	0501049011	BEARING GUARD	01
01	0502011765	HOUSING DM	01
02	0502011766	HOUSING DM	01
03	0503010111	30210 ROLLER BEARING	02
04	0502040484	BEARING AXLE	01
05	0503030013	4.4" X 3.5" X 0.004" JOINT	02
06	0503030684	4.4" X 3.5" X 0.004" JOINT	01
07	0502020424	HOUSING CAP DM	01
08	0503010134	3/8" X 1" BOLT	04
09	0503030026	SEAL LP JB-253	02
10	0502010541	SEAL RETAINER	02
11	0502010074	INNER FLANGE	01
12	0503010856	OIL PLUG	01



Item	Code	Description	QT
01	0511067892	PRESS ROLLER FIXER	01
02	0502010819	TRACTOR HITCH FIXER	01
03	0503010901	3/4UNC 3.1/2 BOLT	02
04	0503010023	SPRING WASHER	02
05	0503010014	3/4" NUT	02
06	0511067957	PRESS ROLLER FORK	01
07	0551012148	31,75 X 148 AXLE	01
08	0503010038	3/16 X 2 COTTERPIN	02
09	0501052042	BOX BREAK ROLLER	02
09A	0502011479	BOX BREAK ROLLER	02
09B	0503012107	BALL BEARING	02
09C	0503011420	502100 CLAMPING RING (FOR AXLE)	02
09D	0503011418	01669-BR SEAL	02
09E	0503031394	EXTENSION GREASE FITTING	02
09F	0503010691	1/4" GREASE FITTING	02
10	0503010232	5/8" X 1.3/4" BOLT	08
11	0503010027	SPRING WASHER	08
12	0503010013	5/8" NUT	08
13	0511067478	ROLLER SET	01
14	0503010002	1800 GREASE FITTING	01



Item	Code	Description	QT
000	0909092966	HYDRAULIC CIRCUIT	
01	0503061627	TANK ASSY	01
02	0503014432	COPPER FLANGE	01
03	0551015571	JOINT GASKET TYRE	01
04	0503014387	TE 1" BSP GALV CCP-BC	01
05	0503014388	1" BSP PLUG	01
06	0551016586	ROSE NOZZLE	01
07	0551016600	1/2 X 410 AB-AB HOSE	01
08	0503061686	PUMP ASSY	01
08A	0503012823	DIAPHRAGM PUMP	01
08B	0503012981	PRESSURE GAUGE	01
08C	0503012805	REGULATING VALVE	01
08D	0503014690	1/4 X 1/4 ELBOW	01
08E	0503012990	PIPE CONNECTOR	01
08F	0503014539	AIR CLEANER	01
08G	0503014635	BALL VALVE BALL	01
09	0503012994	WHIP ELETTRIC CBT WITH PANEL ASSY	01
10	0551016601	3/8" X 450 AB-AB HOSE ASSY	01
11	0551016587	3/8" HOSE NIPPLE	01
12	0503013967	3/4" PVC ADAPTER	01
13	0551016602	1/2" X 520 AB-AB HOSE	01
14	0503012997	LINE FILTER	01
15	0503010296	CLAMP	10
16	0503011342	3/4" TO 1 CLAMP	01
17	0551016603	1/2" X 100 AB-AB HOSE	01
18	0511068987	1/2" HOSE NIPPLE	01
19	0551016604	1/2" X 900 AB-AB HOSE	02
20	0551016605	1/2" X 1400 AB-AB HOSE	02
21	0551014270	ADAPTER	02
22	0503061664	TIP SET WITH SPRAY ANTIGOTEJO	02
22A	0503014429	PINGENTE NIPPLE	02
22B	0503032075	FILTER	02
22C	0503032473	NOZZLES	02



MARCHESAN IMPLEMENTOS E MÁQUINAS AGRÍCOLAS TATU S.A.

AV. Marchesan, 1979 - Post office box, 131 - CEP 15994-900 - Matão - SP - Brazil

Phone +55 16.3382-8282

(FAX Parts) + 55 16.3382. 8297 - (Export) + 55 16.3382.1003

e.mail: tatu@marchesan.com.br www.marchesan.com.br

Technical Publications: Elaboration

ALESSANDRA PATRICIA KAWAHARA CARRILI

Technical Publications: Revision

ALESSANDRA PATRICIA KAWAHARA CARRILI

Contact Catálogo:

E-mail = jgaspari@marchesan.com.br

**ORIGINAL PARTS
TATU**

