

PARTS CATALOG

IMPLEMENTS FOR SUGAR CANE

CCP 02-L

Code: 0501091294



Series: S-0499

Review: ABRIL/99

ORIGINAL PARTS
TATU

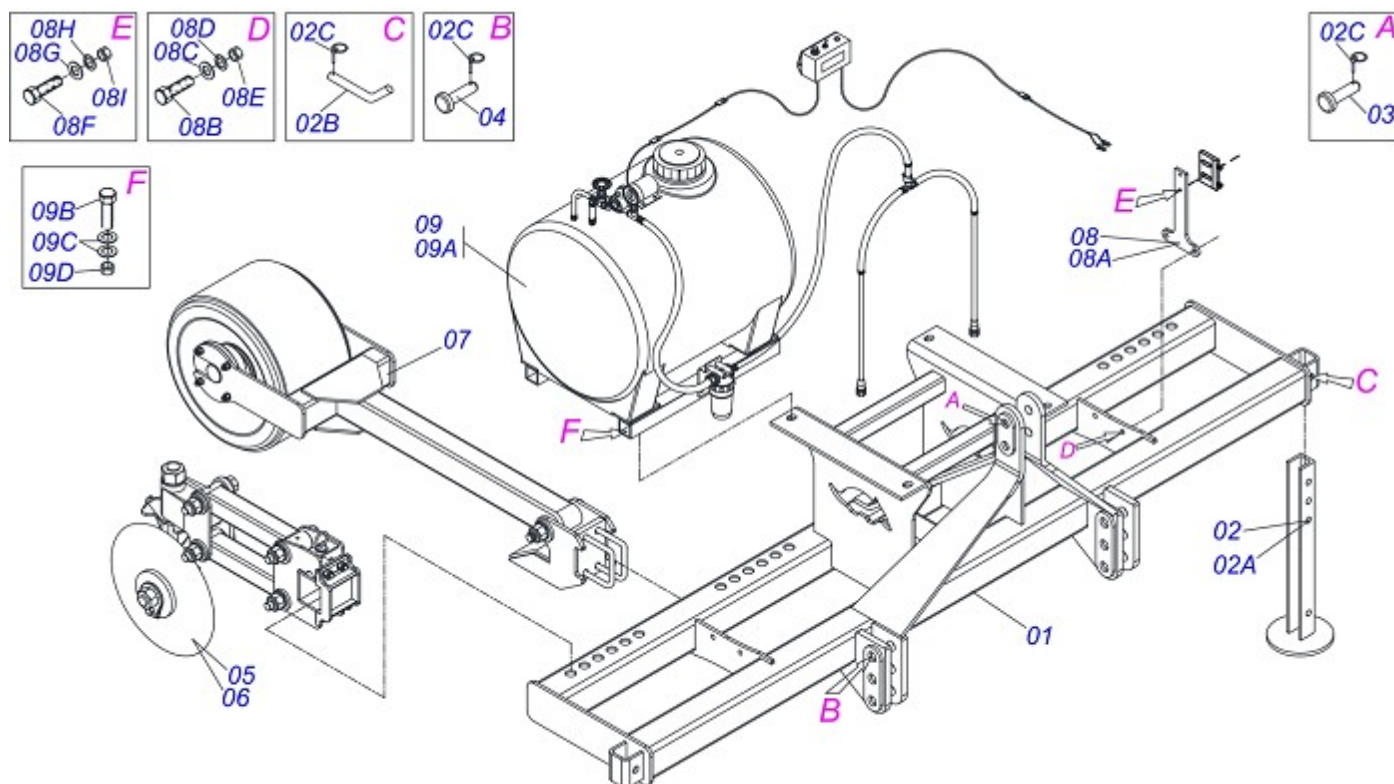


INDEX

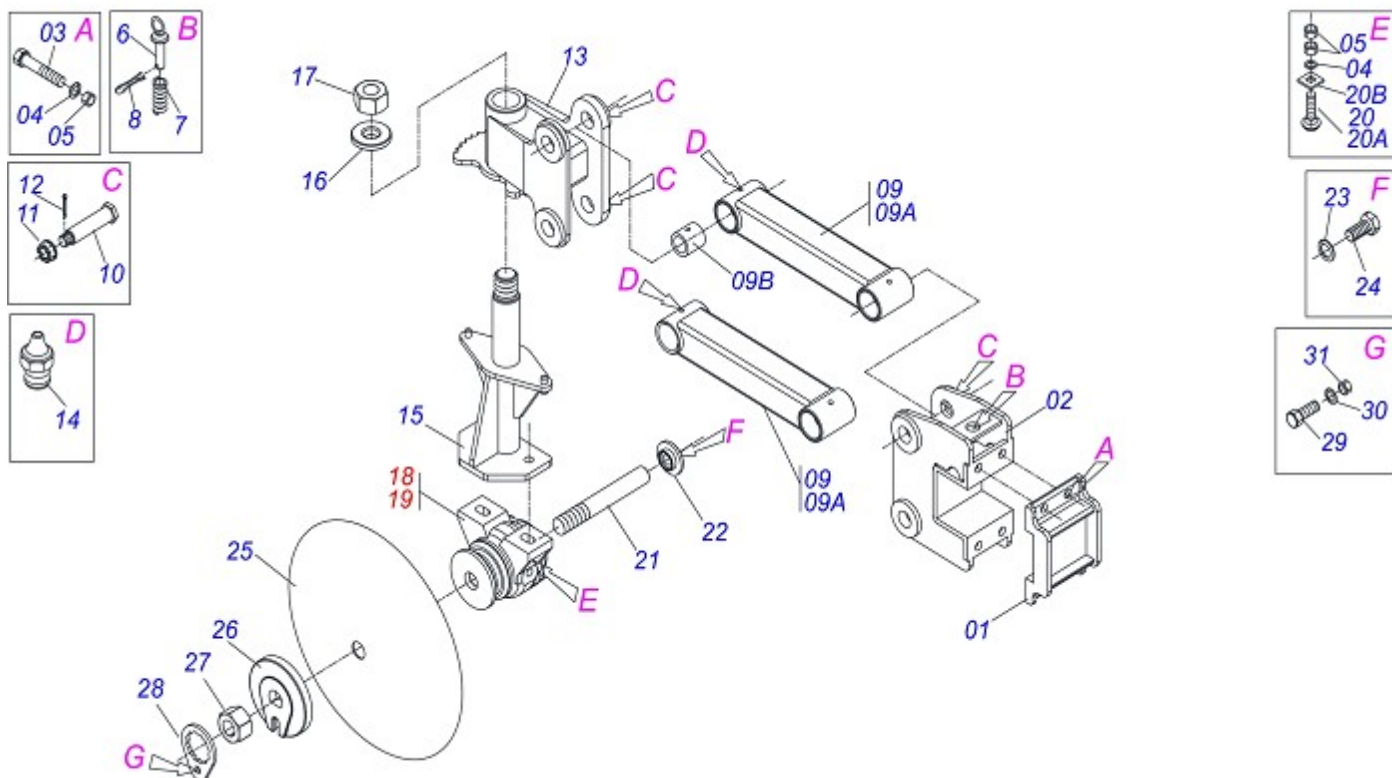
CONTROL DOUBLE 2L S-0499	1
COVER DISC	2
PRESS ROLLER ASSY	3
DM OL 151 1.1/4" BEARING ASSY	4
CONTROL DOUBLE 3L S-0499	5

ATTENTION: IMPORTANT

MARCHESAN RESERVES THE RIGHT AT ANY TIME TO MAKE IMPROVEMENTS IN THE DESIGN, MATERIAL OR SPECIFICATIONS OF MACHINERY, EQUIPMENT OR PARTS WITHOUT THEREBY BECOMING LIABLE TO MAKE SIMILAR CHANGES IN MACHINERY, EQUIPMENT OR PARTS PREVIOUSLY SOLD.



Item	Code	Description	QT
01	0511060986	FRAME CATEGORY II ESP 1400 CCP 2L	01
02	0501049015	PLOUGH SUPPORT ASSY	03
02A	0511060995	685 PLOUGH SUPPORT	03
02B	0501011075	PIN	03
02C	0503030085	LOCK PIN 5,7 X 40	03
03	0521012125	FRAME TRACTOR AXLE UPPER	01
04	0521012124	FRAME TRACTOR AXLE LOWER FIXER	02
05	0501049012	RIGHT DISC COVER	02
06	0501049013	LH DISC COVER	02
07	0501049014	PRESS ROLLER ASSY	02
08	0501049022	HOSE HOLDER ASSY	02
08A	0521015316	HOSE HOLDER	02
08B	0503010920	1/2" X 1.1/2" BOLT	04
08C	0511017302	FLAT WASHER	04
08D	0503010019	1/2" SPRING WASHER	04
08E	0503010060	1/2" NUT	04
08F	0503010461	1/4" X 1" BOLT	04
08G	0501010694	FLAT WASHER	04
08H	0503010143	1/4" SPRING WASHER	04
08I	0503010144	1/4" NUT	04
09	0501049024	TANK ASSY	01
09A	0503060415	TANK ASSY	01
09B	0503010232	5/8" X 1.3/4" BOLT	04
09C	0501012140	FLAT WASHER	08
09D	0503010013	5/8" NUT	04



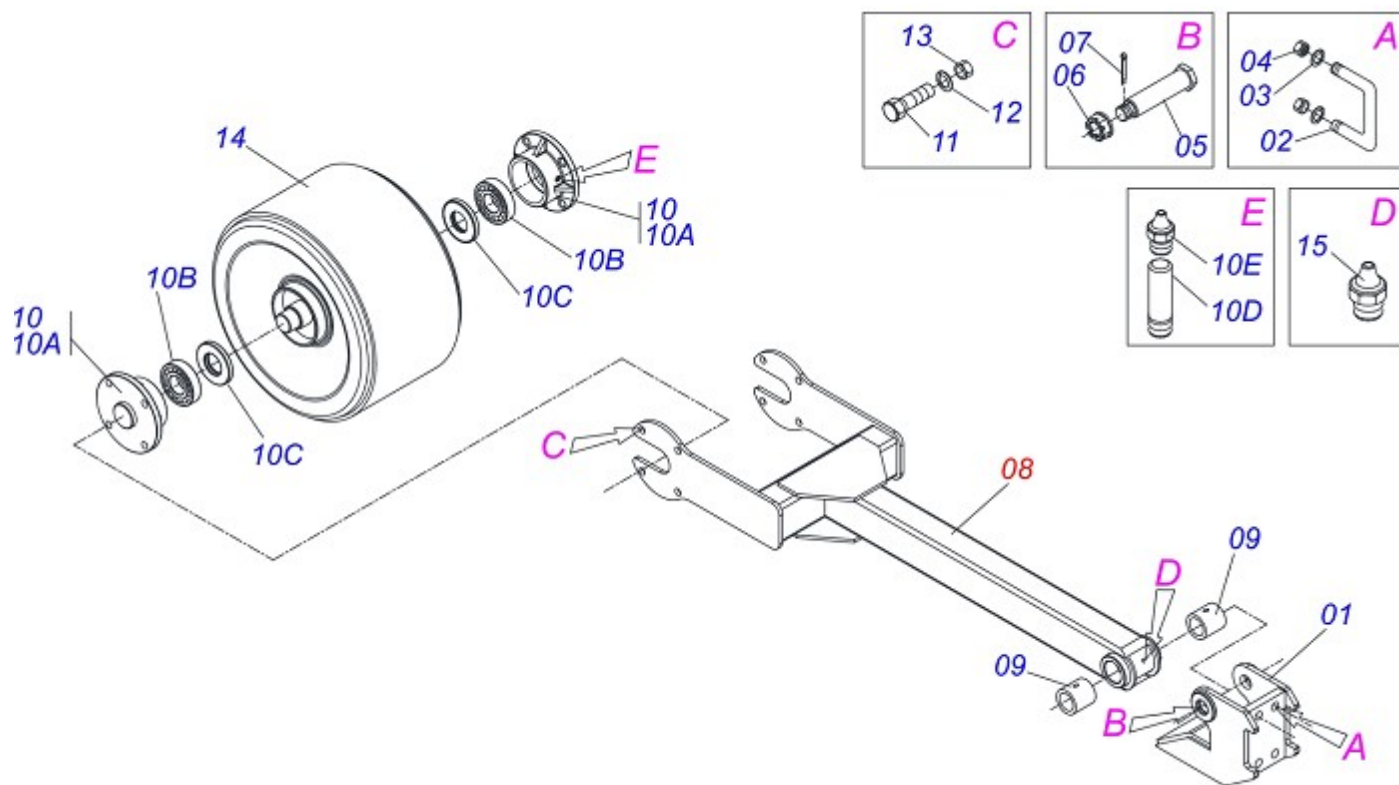
Item	Code	Description	QT
00A	0501049012	RIGHT DISC COVER	01
00B	0501049013	LH DISC COVER	01
01	0511060989	SUPPORT FIXER	01
02	0511060988	SUPPORT	01
03	0503010232	5/8" X 1.3/4" BOLT	04
04	0503010027	5/8" SPRING WASHER	04
05	0503010013	5/8" NUT	04
06	0501069472	DRIVER REG LOCK PIN	01
07	0503030978	1.3" X 4" X 0.1" SPRING	01
08	0503010038	3/16" X 2" COTTERPIN	01
09	0501052393	ROCKING DRIVER	02
09A	0511060990	ROCKING DRIVER	04
09B	0521012122	DRIVER ROCKING SLEEVE SUPPORT	04
10	0521015314	AXLE FIXER	04
11	0503030420	1" X 0.67" CASTLE NUT	04
12	0503010523	1/4" X 2" COTTERPIN	04
13	0511060991	SUPPORT ADJUSTING DISC COVER	01
14	0503010002	GREASE FITTING	05
15	0511063098	DISC REG SUPPORT UPPER	01
16	0521012120	WASHER	01
17	0503010290	SELF ADJUSTING 1.1/2" UNF NUT	01
18	0501049010	BEARING GUARD	01
19	0501049011	BEARING GUARD	01
20	0501048963	5/8" X 2-1/2" BOLT ASSY	02
20A	0501014177	5/8" X 2-1/2" BOLT	02
20B	0501010947	5/8" SQUARE WASHER	02
21	0521015310	1.1/4 UNC X 206 AXLE	01
22	0521015311	WASHER	01
23	0503010023	3/4" SPRING WASHER	01
24	0501010098	3/4" X 2" BOLT	01
25	0601025002	18" X 0.1" PLAIN DISC BLADE	01
26	0502010835	1-1/4" EXTERNAL AXLE WASHER	01
27	0501010087	1.1/4" UNC NUT	01



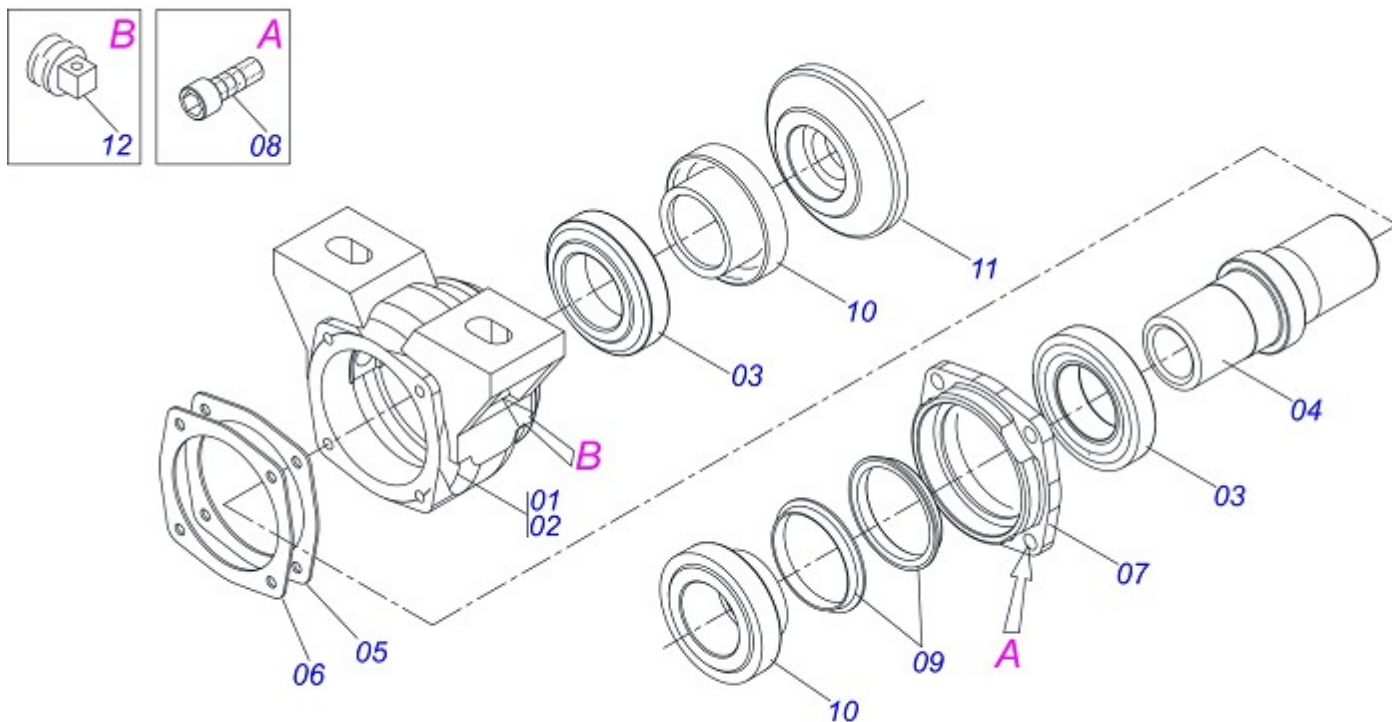
CCP 02-L
COVER DISC

Page 2
0909091468

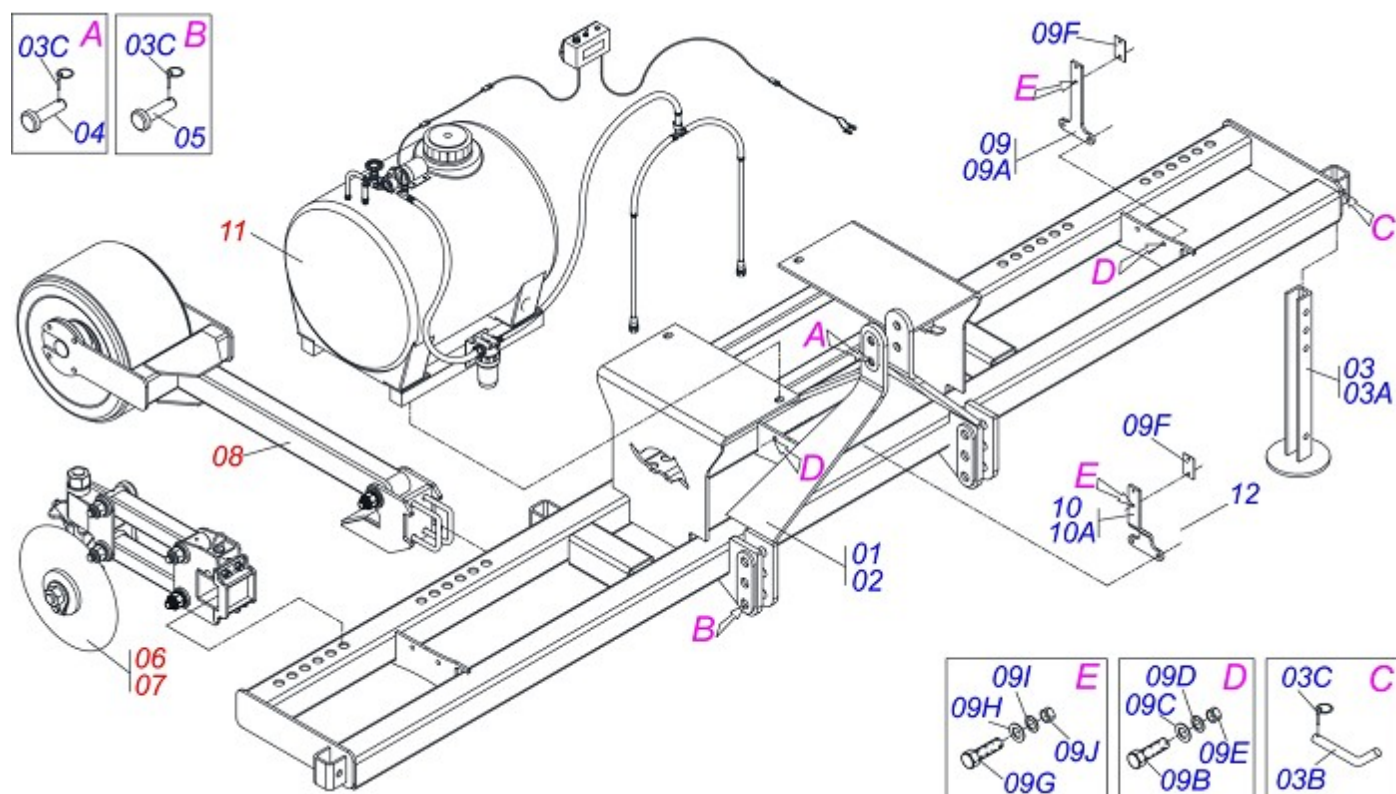
Item	Code	Description	QT
28	0501010455	1-1/4" 2.04" NUT LOCK	01
29	0501010161	1/2" X 1-1/4" BOLT	01
30	0503010019	1/2" SPRING WASHER	01
31	0503010060	1/2" NUT	01



Item	Code	Description	
01	0511060992	FORK FIXER SUPPORT	01
02	0521010659	3/4 UNC X 148 X 125 FASTENER	01
03	0503010023	3/4" SPRING WASHER	04
04	0503010014	3/4" NUT	04
05	0521015313	FORK FIXER AXLE	01
06	0503030420	1" X 0.67" CASTLE NUT	01
07	0503010523	1/4" X 2" COTTERPIN	01
08	0511060993	PRESS ROLLER FORK	01
09	0521012122	DRIVER ROCKING SLEEVE SUPPORT	02
10	0501052042	BOX BREAK ROLLER	01
10A	0502011479	BOX BREAK ROLLER	01
10B	0503012107	BALL BEARING	01
10C	0503011418	01669-BR SEAL	01
10D	0503031394	EXTENSION GREASE FITTING 1/4 UNF X 60	02
10E	0503010691	1/4" GREASE FITTING	02
11	0503010232	5/8" X 1.3/4" BOLT	08
12	0503010027	5/8" SPRING WASHER	08
13	0503010013	5/8" NUT	08
14	0511060994	PRESS ROLLER	01
15	0503010002	GREASE FITTING	01



Item	Code	Description	
00	0501049010	BEARING GUARD	01
00A	0501049011	BEARING GUARD	01
01	0502011765	HOUSING DM	01
02	0502011766	HOUSING DM	01
03	0503010111	30210 ROLLER BEARING	02
04	0502040484	BEARING AXLE	01
05	0503030013	4.4" X 3.5" X 0.004" JOINT	02
06	0503030684	4.4" X 3.5" X 0.004" JOINT	01
07	0502020424	HOUSING CAP DM	01
08	0503010134	3/8" X 1" BOLT	04
09	0503030026	SEAL # LP JB-253	02
10	0502010541	SEAL RETAINER	02
11	0502010074	INNER FLANGE	01
12	0503010856	3/8" OIL PLUG	01



Item	Code	Description	
01	0511060999	FRAME CATEGORY II ESP 1400 CCP 3L	01
02	0511060998	FRAME CATEGORY II ESP 1050 CCP 3L	01
03	0501049015	PLOUGH SUPPORT ASSY	03
03A	0511060995	685 PLOUGH SUPPORT	03
03B	0501011075	PIN	03
03C	0503030085	LOCK PIN 5,7 X 40	06
04	0521012125	FRAME TRACTOR AXLE UPPER	01
05	0521012124	FRAME TRACTOR AXLE LOWER FIXER	02
06	0501049012	RIGHT DISC COVER	03
07	0501049013	LH DISC COVER	03
08	0501049014	PRESS ROLLER ASSY	03
09	0501049022	HOSE HOLDER ASSY	02
09A	0521015316	HOSE HOLDER	02
09B	0503010920	1/2" X 1.1/2" BOLT	06
09C	0511017302	FLAT WASHER	06
09D	0503010019	1/2" SPRING WASHER	06
09E	0503010060	1/2" NUT	06
09F	0503010461	1/4" X 1" BOLT	06
09G	0501010694	FLAT WASHER	06
09H	0503010143	1/4" SPRING WASHER	06
09I	0503010144	1/4" NUT	06
10	0501049023	CENTRAL HOSE HOLDER ASSY	01
10A	0521015343	HOSE CENTRAL HOLDER ASSY	01
11	0501049024	TANK ASSY	01
11A	0503060415	TANK ASSY	01
11B	0503010232	5/8" X 1.3/4" BOLT	04
11C	0501012140	FLAT WASHER	08
11D	0503010013	5/8" NUT	04



MARCHESAN

MARCHESAN IMPLEMENTOS E MÁQUINAS AGRÍCOLAS TATU S.A.

AV. Marchesan, 1979 - Post office box, 131 - CEP 15994-900 - Matão - SP - Brazil

Phone +55 16.3382-8282

(FAX Parts) + 55 16.3382. 8297 - (Export) + 55 16.3382.1003

e.mail: tatu@marchesan.com.br www.marchesan.com.br

*Drafting and Illustration = GASPARI
e.mail = jgaspari@marchesan.com.br*

**ORIGINAL PARTS
TATU**



MARCHESAN