



MARCHESAN

PARTS CATALOGUE

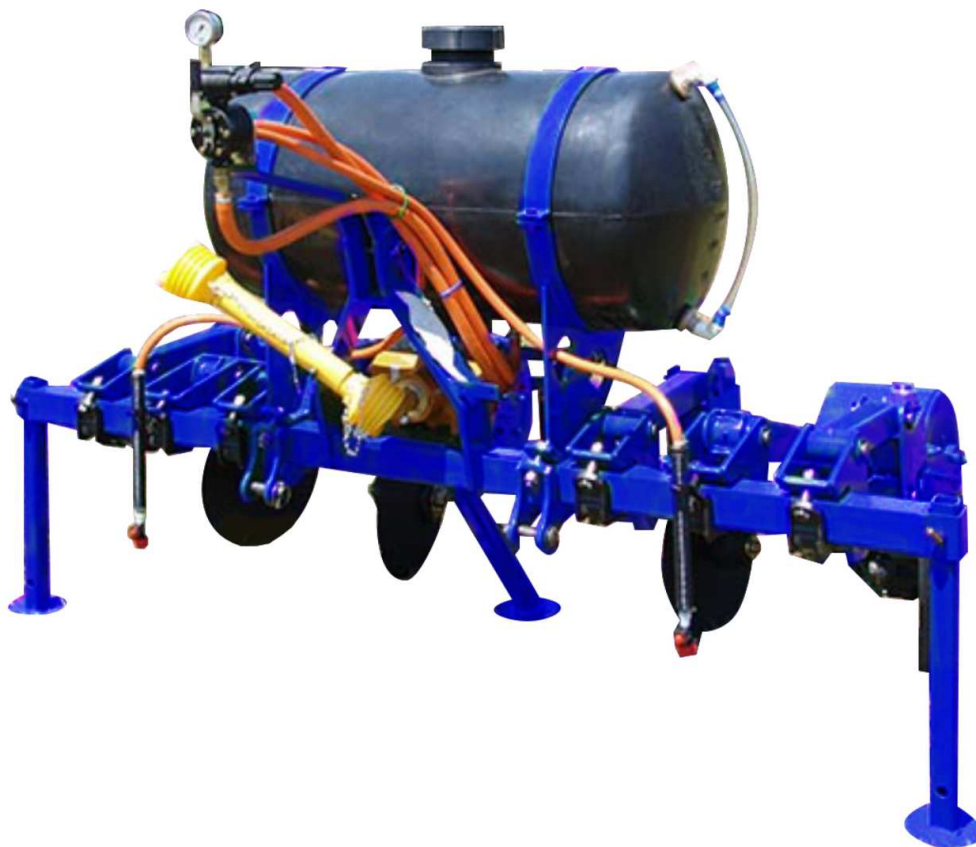
IMPLEMENTS FOR SUGAR CANE

Code:

0501091293

Product:

CCP-BC



Series:

S-0606

Revision:

00

Date Revision:

JUNHO/2006



PRODUCTS

Code	Description
0110050014	CCP 2L 2R C/ADUBAD ESP CONV S-0501
0110050019	CCP 2L 2R S/D ESP CONV S-0499
0110050018	CCP 2L 2R TANQUE S/D ESP CONV S-499
0110050022	CCP 2L 4D S-0606
0110050021	CCP 2L 4D 2R S-0606
0110050002	CCP 2L 4D 2R ESP CONV S-0499
0110050007	CCP 2L 4D 2R 1A ESP CONV S-0499
0110050026	CCP 2L 4D 2R CB S-0606
0110050001	CCP 2L 4D 2R TANQUE ESP CONV S-0499
0110050009	CCP 2L 4D S/ROLO ESP CONV S-0499
0110050008	CCP 2L 4D TANQ S/ROLO ESP CONV S499
0110050028	CCP 3L 6D 3R S-0507
0110050004	CCP 3L 6D 3R ESP CONV S-0499
0110050006	CCP 3L 6D 3R ESP REDUZIDO S-0499
0110050016	CCP 3L 6D 3R S/TANQ ESP 1100 S-1102
0110050015	CCP 3L 6D 3R TANQUE ESP 1100 S-1102
0110050003	CCP 3L 6D 3R TANQUE ESP CONV S-0499
0110050005	CCP 3L 6D 3R TANQUE ESP REDUZ S0499
0110050011	CCP 3L 6D S/ROLO ESP CONV S-0499
0110050013	CCP 3L 6D S/ROLO ESP REDUZIDO S0499
0110050010	CCP 3L 6D TANQ S/R ESP CONV S-0499
0110050012	CCP 3L 6D TANQ S/R ESP REDUZ S-0499
0110050023	CCP-BC 2L 4D S-0606
0110050020	CCP-BC 2L 4D 2R S-0606
0110050024	CCP-BC 2L 4D 2R CB S-0606
0110050025	CCP-BC 3L 6D 3R S-0507
0110050027	CCP-BC 3L 6D 3R CB S-0507

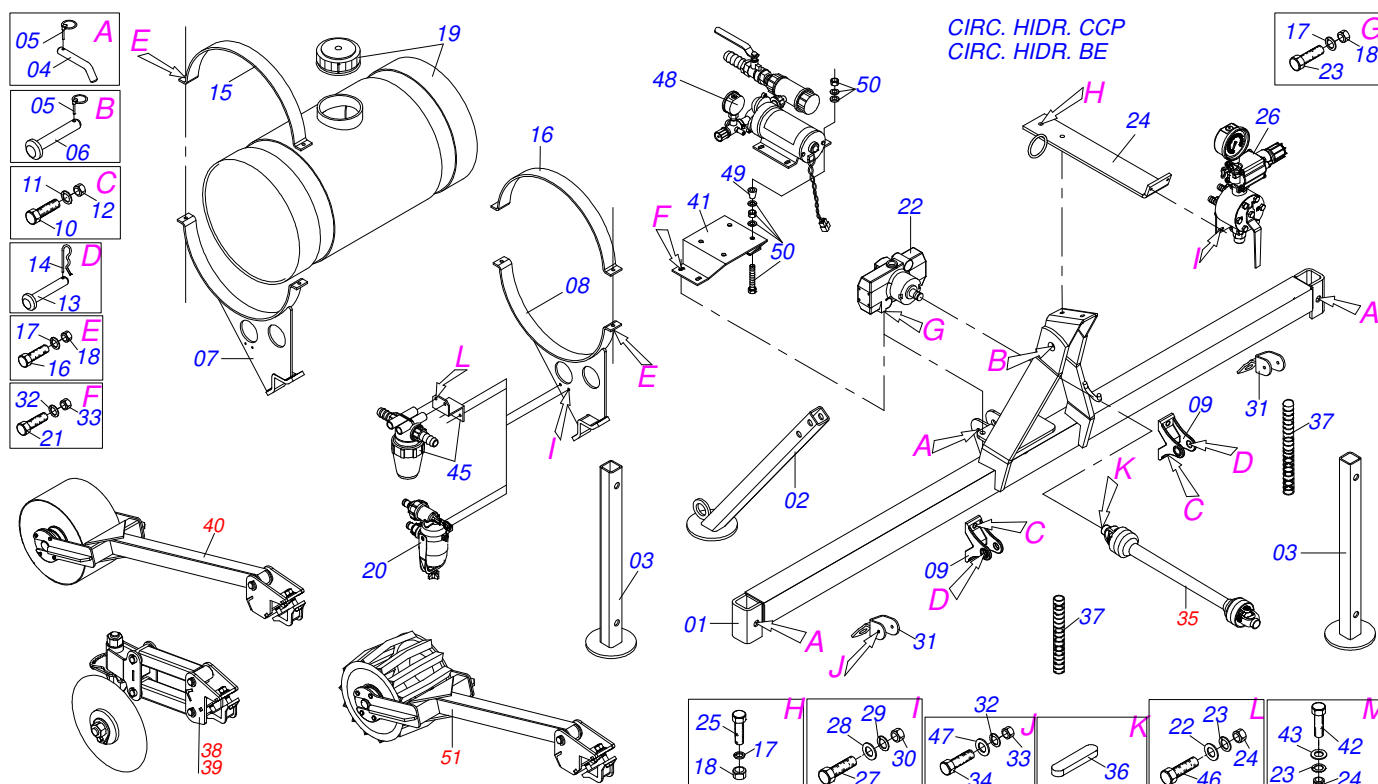
ATTENTION: IMPORTANT

Marchesan S.A. reserves the right to improve and / or modify the technical features of its products, without obligation to do the same with those products already sold and without prior knowledge of the dealer or the consumer.



INDEX

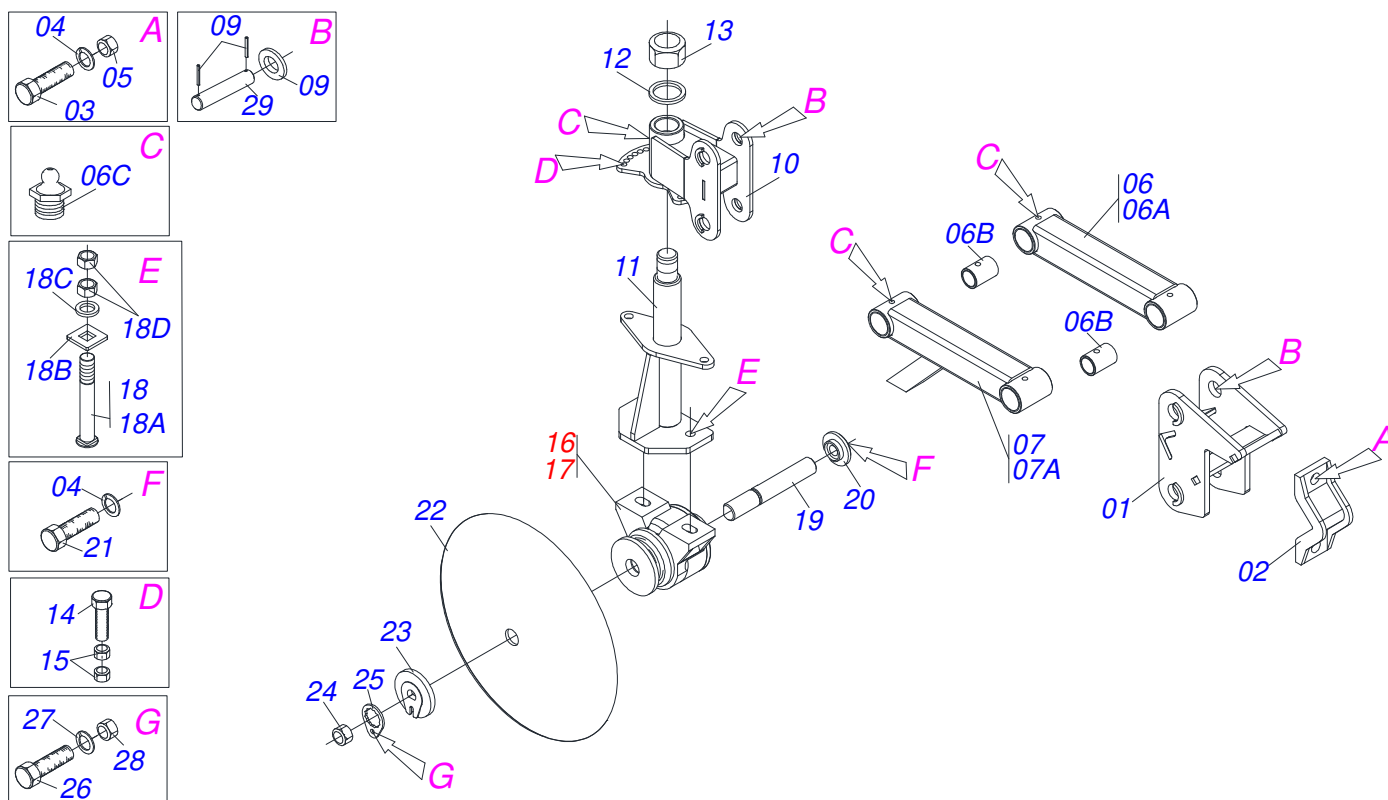
0909092774	FRAME	1
0909092775	COVER DISC (OPTIONAL)	2
0909091458	DM OL 151 1.1/4" AGRICULTURAL BEARING	3
0909092777	ROLLER COMPACTOR	4
0909092776	ROLLER COMPACTOR	5
0909092773	HYDRAULIC CIRCUIT CCP	6
0909092795	QUICK COUPLING	7



Item	Code	Description	See page	QT
01	0511067890	FRAME CATEGORY II CCP 2L S-0606	01	01
01.	0511060999	FRAME CATEGORY II ESP 1400 CCP 3L	01	01
02	0511067894	CENTRAL PLOUGH SUPPORT	01	01
03	0511067895	SIDE PLOUGH SUPPORT	02	02
04	0501011075	PIN	04	04
05	0503030085	LOCK PIN	05	05
06	0521010578	COUPLING SHAFT	01	01
07	0511067893	TANK SUPPORT FIXATION	01	01
08	0511067958	TANK FIXER RIGHT SUPPORT	01	01
09	0502011204	FRAME HITCH	02	02
10	0503010797	3/4" X 4" BOLT	04	04
11	0503010023	3/4" SPRING WASHER	04	04
12	0503010014	3/4" NUT	04	04
13	0521010595	1.1" X 4.3" COUPLING SHAFT	02	02
14	0503031035	HAIR PIN	02	02
15	0551012147	TANK FIXER RIBBON	02	02
16	0503010740	BOLT 1/2 UNC X 2 CS G.5 ZN	04	04
17	0503010019	1/2" SPRING WASHER	10	10
18	0503010060	1/2" NUT	10	10
19	0503061627	TANK ASSY	01	01
20	0503014263	SUCTION FILTER	01	01
21	0503010461	1/4" X 1" BOLT	02	02
22	0503061618	JP402 PUMP	01	01
23	0503010834	1/2 X 1 BOLT	04	04
24	0511068377	SUPPORT CONTROL VALVE	01	01
25	0503014007	1/2" X 1-1/4" BOLT	02	02
26	0503013908	COMMAND JACTO	01	01
27	0503010371	5/16" X 1" BOLT	02	02
28	0501010984	FLAT WASHER	02	02
29	0503010179	5/16" ZN SPRING WASHER	02	02
30	0503010337	5/16" NUT	02	02



Item	Code	Description	See page	QT
31	0511068483	SPRING SUPPORT		02
32	0503010143	1/4" SPRING WASHER		02
33	0503010144	1/4" NUT		02
34	0503010373	SCREW 1/4 UNC X 2 CS G.2 ZN		02
35	0511045298	DRIVE SHAFT		01
36	0503014264	5/16 X 30 KEYWAY		01
37	0503014260	22 X 300 SPRING		02
38	0511045335	RIGHT DISC COVER		02
39	0511045336	LH DISC COVER		02
40	0511045337	PRESS ROLLER ASSY		02



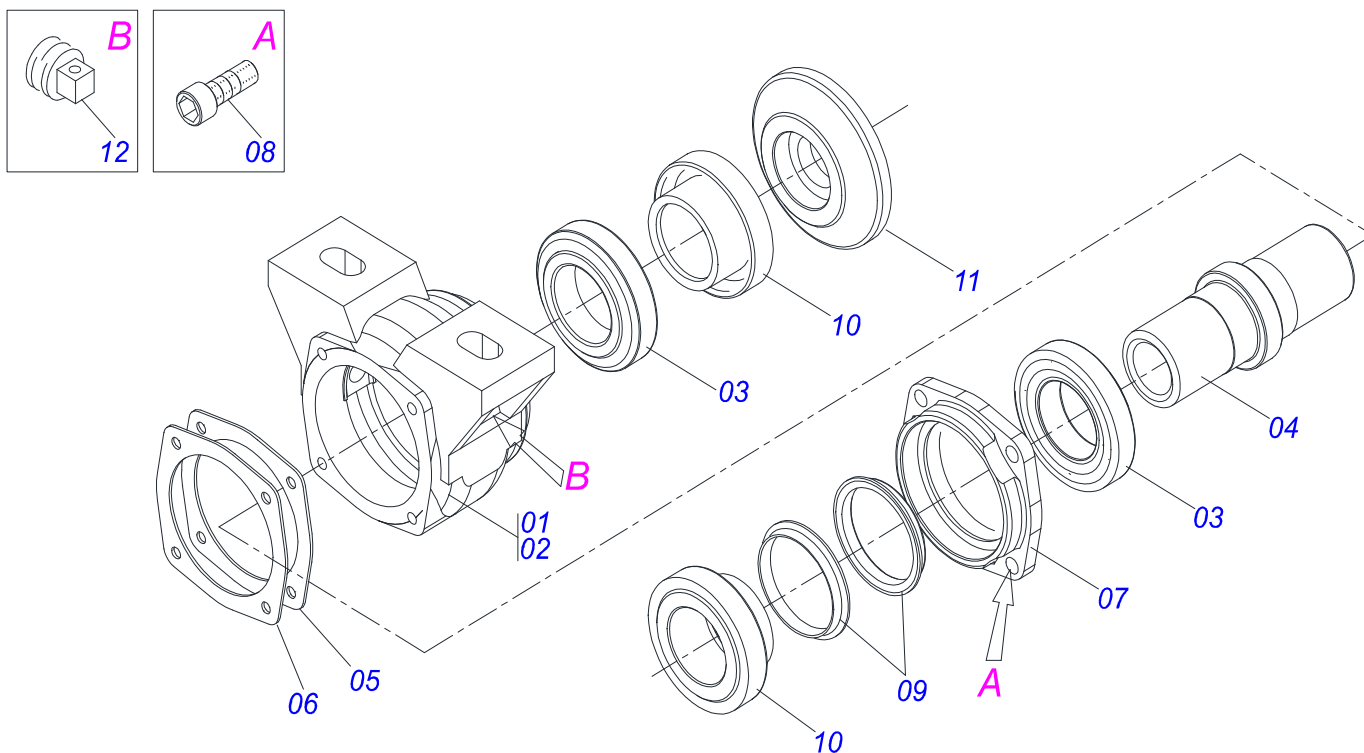
Item	Code	Description	See page	DIR ESQ
00	0511045335	RIGHT DISC COVER		02 00
00A	0511045336	LH DISC COVER		00 02
01	0511067891	PARALELOGRAMA FIXER SUPPORT		01 01
02	0502010819	TRACTOR HITCH FIXER		01 01
03	0503010901	3/4UNC 3.1/2 BOLT		02 02
04	0503010023	3/4" SPRING WASHER		03 03
05	0503010014	3/4" NUT		02 02
06	0501052393	ROCKING DRIVER		02 01
06A	0511060990	ROCKING DRIVER		02 01
06B	0521012122	DRIVER ROCKING SLEEVE SUPPORT		04 04
06C	0503010002	1800 GREASE FITTING		03 03
07	0501057760	ARM OSCILLATING LOWER ASSY		00 01
07A	0511068854	LOWER ROCKING DRIVER		00 01
08	0521011132	FLAT WASHER		04 04
09	0503010839	03"X 0.6" SPRING PIN		08 08
10	0511067959	SUPPORT ADJUSTING DISC COVER		01 01
11	0511063098	DISC SUPPORT UPPER		01 01
12	0521012120	WASHER		01 01
13	0501010110	1.1/2" NUT		01 01
14	0503011195	7/16" X 1.3/4" BOLT		02 02
15	0503010244	7/16" NUT		04 04
16	0501049011	BEARING GUARD		00 01
17	0501049010	BEARING		01 00
18	0501048963	5/8" X 2-1/2" BOLT ASSY		02 02
19	0521015310	1.1/4 UNC X 206 AXLE		01 01
20	0521015311	WASHER		01 01
21	0501010098	3/4" UNC BOLT		01 01
22	0601025002	18" X 0.1" PLAIN DISC BLADE		01 01
23	0502010835	1-1/4" EXTERNAL AXLE WASHER		01 01
24	0501010087	1.1/4" NUT		01 01
25	0501010455	1.1/4" NUT LOCK		01 01



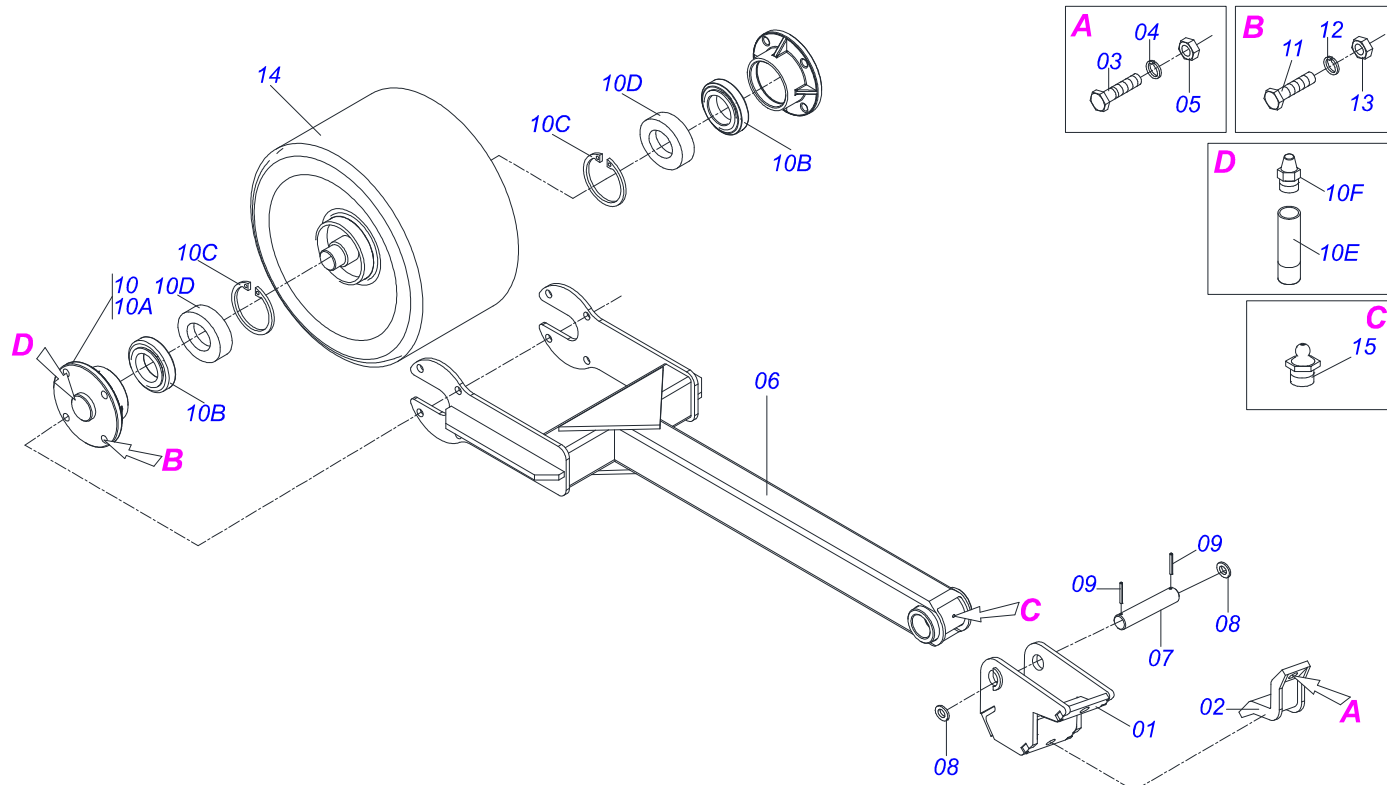
CCP-BC
COVER DISC (OPTIONAL)

Page 2
0909092775

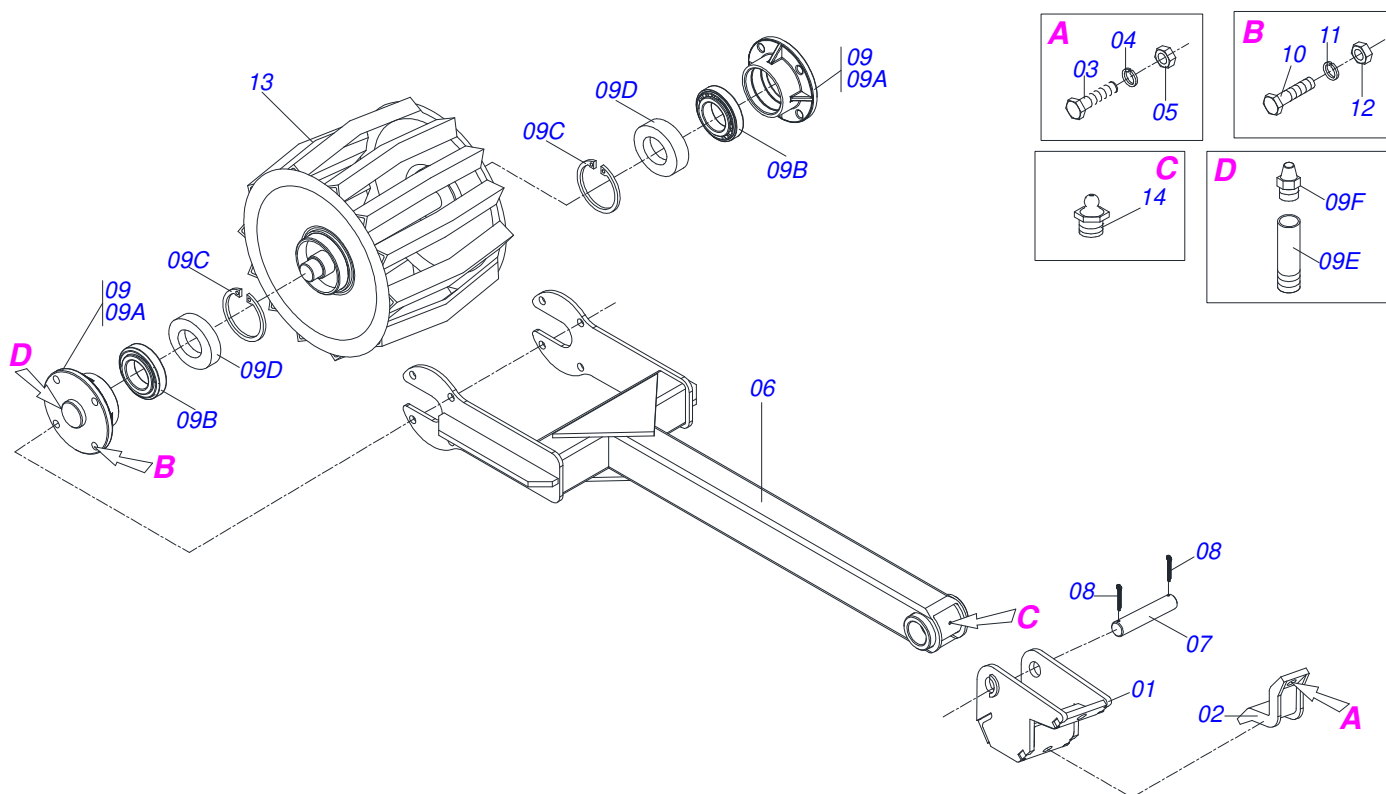
Item	Code	Description	See page	DIR ESQ
26	0501010161	1/2" X 1.1/4" BOLT		01 01
27	0503010019	1/2" SPRING WASHER		01 01
28	0503010060	1/2" NUT		01 01
29	0551012149	31,75 X 130 AXLE		04 04



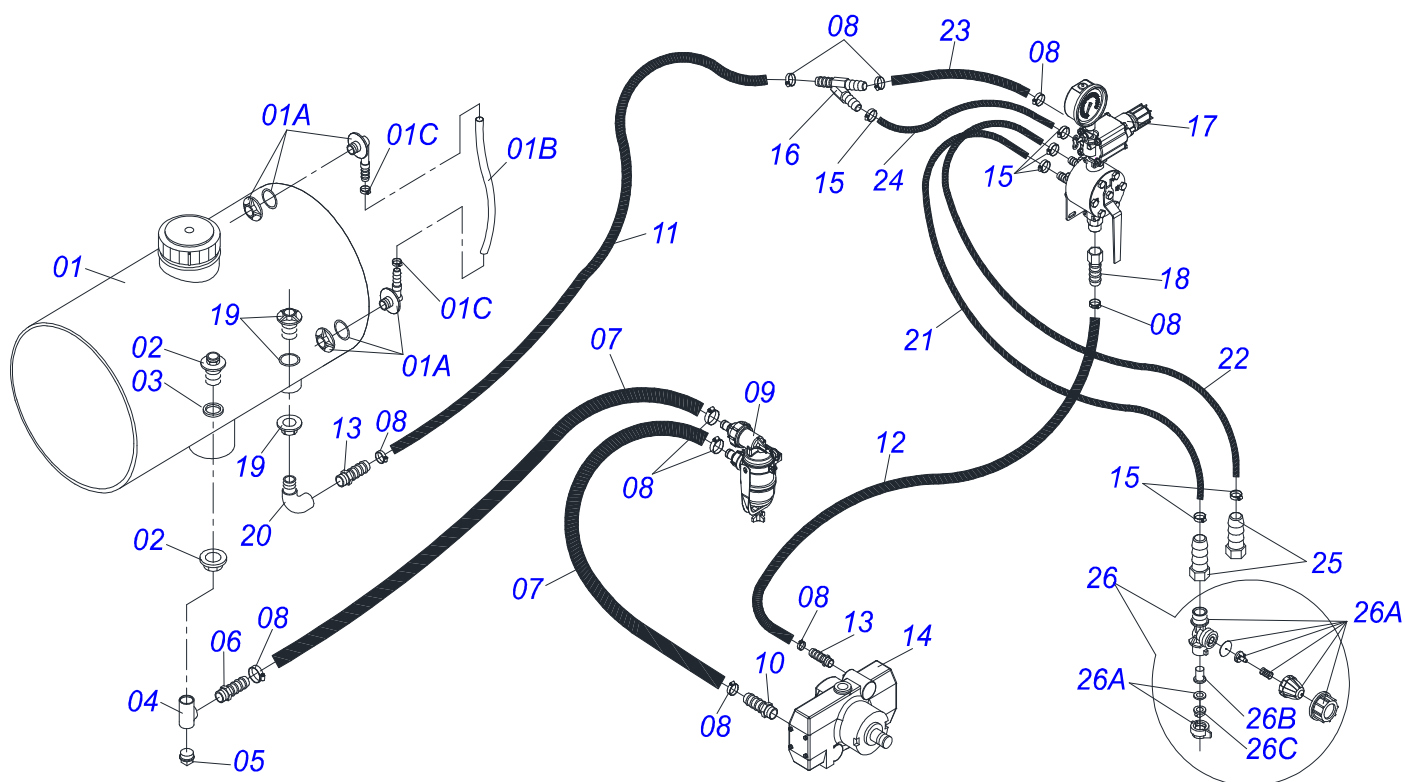
Item	Code	Description	See page	QT
00	0501049010	BEARING		01
00A	0501049011	BEARING GUARD		01
01	0502011765	HOUSING DM		01
02	0502011766	HOUSING DM		01
03	0503010111	30210 ROLLER BEARING		02
04	0502040484	BEARING AXLE		01
05	0503030013	4.4" X 3.5" X 0.004" JOINT		02
06	0503030684	4.4" X 3.5" X 0.004" JOINT		01
07	0502020424	HOUSING CAP		01
08	0503010134	3/8" X 1" BOLT		04
09	0503030026	SEAL LP JB-253		02
10	0502010541	SEAL RETAINER		02
11	0502010074	INNER FLANGE		01
12	0503010856	OIL PLUG		01



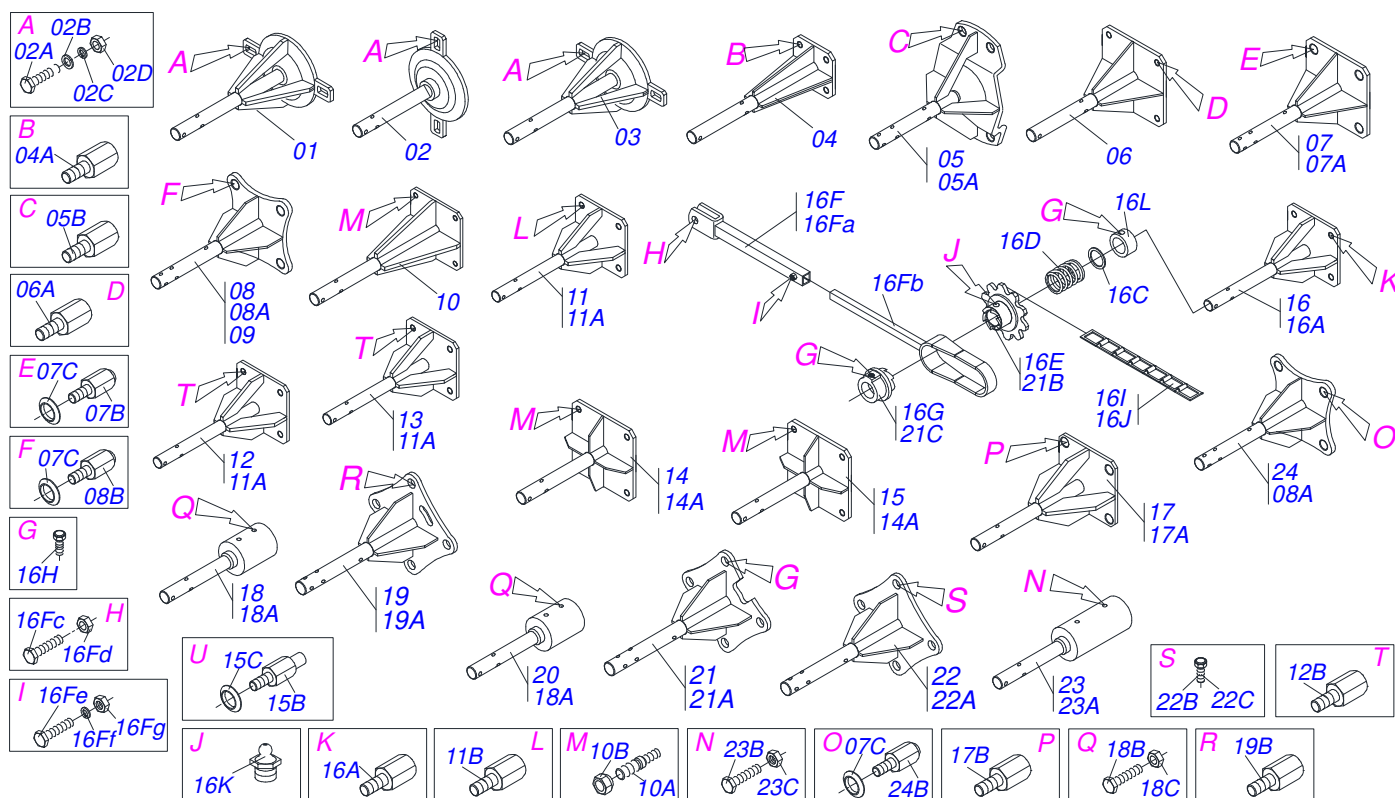
Item	Code	Description	See page	QT
01	0511067892	PRESS ROLLER FIXER	01	01
02	0502010819	TRACTOR HITCH FIXER	01	01
03	0503010901	3/4UNC 3.1/2 BOLT	02	02
04	0503010023	3/4" SPRING WASHER	02	02
05	0503010014	3/4" NUT	02	02
06	0511067957	PRESS ROLLER FORK	01	01
07	0551012148	31,75 X 148 AXLE	01	01
08	0521011132	FLAT WASHER	01	01
09	0503010839	03"X 0.6" SPRING PIN	02	02
10	0501052042	BOX BREAK ROLLER	02	02
10A	0502011479	BOX BREAK ROLLER	01	01
10B	0503012107	BALL BEARING	01	01
10C	0503011420	502100 CLAMPING RING (FOR AXLE)	01	01
10D	0503011418	01669-BR SEAL	01	01
10E	0503031394	EXTENSION GREASE FITTING	01	01
10F	0503010691	1/4" GREASE FITTING	01	01
11	0503010232	5/8" X 1.3/4" BOLT	08	08
12	0503010027	5/8" SPRING WASHER	08	08
13	0503010013	5/8" NUT	08	08
14	0511060994	PRESS ROLLER	01	01
15	0503010002	1800 GREASE FITTING	02	02



Item	Code	Description	See page	QT
01	0511067892	PRESS ROLLER FIXER	01	01
02	0502010819	TRACTOR HITCH FIXER	01	01
03	0503010901	3/4UNC 3.1/2 BOLT	02	02
04	0503010023	3/4" SPRING WASHER	02	02
05	0503010014	3/4" NUT	02	02
06	0511067957	PRESS ROLLER FORK	01	01
07	0551012148	31,75 X 148 AXLE	01	01
08	0503010038	3/16 X 2 COTTERPIN	02	02
09	0501052042	BOX BREAK ROLLER	02	02
09A	0502011479	BOX BREAK ROLLER	02	02
09B	0503012107	BALL BEARING	02	02
09C	0503011420	502100 CLAMPING RING (FOR AXLE)	02	02
09D	0503011418	01669-BR SEAL	02	02
09E	0503031394	EXTENSION GREASE FITTING	02	02
09F	0503010691	1/4" GREASE FITTING	02	02
10	0503010232	5/8" X 1.3/4" BOLT	08	08
11	0503010027	5/8" SPRING WASHER	08	08
12	0503010013	5/8" NUT	08	08
13	0511067478	ROLLER SET	01	01
14	0503010002	1800 GREASE FITTING	01	01



Item	Code	Description	See page	QT
01	0503061627	TANK ASSY		01
02	0503014432	COPPER FLANGE		01
03	0551015571	JOINT GASKET TYRE		01
04	0503014387	TE 1" BSP GALV CCP-BC		01
05	0503014388	1" BSP PLUG		01
06	0551014267	1.1/4" HOSE NIPPLE		01
07	0551016271	1.1/4" AIR CONDUCTOR CLAMP		02
08	0503010184	CLAMP		10
09	0503014263	SUCTION FILTER		01
10	0551014268	1.1/4" HOSE NIPPLE		01
11	0551016273	3/4" X 850 AB-AB HOSE		01
12	0551016272	3/4" X 1700 AB-AB HOSE		01
13	0551014269	3/4" HOSE NIPPLE		02
14	0503061618	JP402 PUMP		01
15	0503011342	3/4" TO 1 CLAMP		08
16	0511068846	3/4" X 1/2" HOSE "Y" NIPPLE		01
17	0503013908	COMMAND JACTO		01
18	0551015312	1.1/4" HOSE NIPPLE		01
19	0503013967	3/4" PVC ADAPTER		01
20	0503014391	3/4" ELBOW		01
21	0551016275	1/2" X 1800 AB-AB HOSE CLAMP		01
22	0551014210	1/2" X 2000 AB-AB HOSE		01
23	0551016208	3/4" X 350 AB-AB HOSE		01
24	0551016207	1/2" X 260 AB-AB HOSE		01
25	0551014270	ADAPTER		02
26	0503061664	TIP SET WITH SPRAY ANTIGOTEJO		02
26A	0503014429	PINGENTE NIPPLE		02
26B	0503032075	FILTER		02
26C	0503032473	NOZZLES		02



Item	Code	Description	See page
01	0501061182	MOTOR SUPPORT	01
02	0501061183	MOTOR SUPPORT	01
02A	0501010500	3/4"X3"BOLT	06
02B	0501012425	FLAT WASHER	06
02C	0503010023	3/4" SPRING WASHER	07
02D	0503010014	3/4" NUT	08
03	0501061184	MOTOR SUPPORT	01
04	0501061180	MOTOR SUPPORT	01
04A	0501010760	SUPPORT FIXER MOTOR	04
05	0501057829	MOTOR SUPPORT ASSY	01
05A	0501061181	MOTOR SUPPORT	01
05B	0501010761	SUPPORT FIXER MOTOR	04
06	0501067746	SUPPORT MOTOR	01
06A	0501013986	SUPPORT FIXER MOTOR	04
07	0501057350	SUPPORT MOTOR ASSY	01
07A	0501062862	MOTOR SUPPORT	01
07B	0501016631	SUPPORT FIXER MOTOR	04
07C	0511016819	CONICAL SPRING WASHER	04
08	0501057304	SUPPORT MOTOR ASSY	01
08A	0511067495	SUPPORT MOTOR	01
08B	0551011867	FIXER SUPPLEMENT FIXER MOTOR	04
09	0501057338	MOTOR SUPPORT ASSY	01
10	0501061187	SUPPORT MOTOR	01
10A	0501010762	STUD	08
10B	0501016992	3/4" CONIC NUT	08
11	0501057740	MOTOR SUPPORT ASSY	01
11A	0501061185	MOTOR SUPPORT ASSY	01
11B	0511014660	MOTOR SUPPORT FIXER	04
12	0501057369	MOTOR SUPPORT ASSY	01
12B	0501010763	MOTOR SUPPORT FIXER	04
13	0501057332	MOTOR SUPPORT ASSY	01



CCP-BC
QUICK COUPLING

Item	Code	Description	See page
14	0511045566	MOTOR SUPPORT ASSY	01
14A	0501061186	MOTOR SUPPORT	01
15	0501057403	MOTOR SUPPORT ASSY	01
15B	0551013645	MOTOR SUPPORT FIXER	04
15C	0551013646	11/16" CONICAL NUT	04
16	0501057808	MOTOR SUPPORT ASSY	01
16A	0501061187	SUPPORT MOTOR	01
16B	0551016348	FIXER SUPPLEMENT FIXER MOTOR	04
16C	0501010765	SPINDLE GUIDE	01
16D	0503030086	COMPRESSION SPRING	01
16E	0502010121	11Z GEAR	01
16F	0501057763	ARM/DISARMMENT ROD ASSY	01
16Fa	0511068860	ROD DRIVING	01
16Fb	0511068861	COUPLING/UNCOUPLING ARM	01
16Fc	0503010060	1/2" NUT	01
16Fd	0501010161	1/2" X 1.1/4" BOLT	01
16Fe	0503010899	5/8" X 2-1/4" BOLT	01
16Ff	0503010027	5/8" SPRING WASHER	01
16Fg	0503010013	5/8" NUT	01
16G	0502010119	RIGHT RATCHET	01
16H	0503010734	1/2" X 2-1/2" BOLT	03
16I	0503010252	57 CHAIN X 63 LINK	01
16J	0503010253	57 CHAIN X 73 LINK	01
16K	0503010002	1800 GREASE FITTING	01
16L	0501014453	LOCK BUSHING	01
17	0501057519	MOTOR SUPPORT ASSY	01
17A	0501061188	MOTOR SUPPORT	01
17B	0501010764	MOTOR SUPPORT FIXER	04
18	0501057360	MOTOR SUPPORT ASSY	01
18A	0511067456	MOTOR SUPPORT	01
18B	0503010232	5/8" X 1.3/4" BOLT	04
18C	0503010013	5/8" NUT	04
19	0501057371	MOTOR SUPPORT ASSY	01
19A	0511067405	MOTOR SUPPORT	01
20	0501057345	MOTOR SUPPORT ASSY	01
21	0501056992	MOTOR SUPPORT ASSY	01
21A	0511064207	MOTOR SUPPORT	01
21B	0502011321	11Z GEAR WITH RIGHT DRAGGER	01
21C	0502011379	RH FOLLOWER	01
22	0511045524	MOTOR SUPPORT ASSY	01
22A	0511067981	MOTOR SUPPORT	01
22B	0501019219	1/2" X 1-3/4" BOLT	02
22C	0501010155	1/2" X 1" BOLT	01
23	0501057586	MOTOR SUPPORT ASSY	01
23A	0511067550	MOTOR SUPPORT	01
23B	0501010077	1/2" X 2" BOLT	04
23C	0503010060	1/2" NUT	04
24	0501057356	MOTOR SUPPORT ASSY	01
24B	0551010306	FIXER SUPPLEMENT FIXER MOTOR	04



www.marchesan.com.br



Technical Publications | Elaboration and Revision
ALESSANDRA PATRICIA KAWAHARA CARRILI