

PARTS CATALOG

IMPLEMENTS FOR SUGAR CANE

SU-2 3L/ ESP 1500

Code: 0501091292



Series: S-0899

Review: AGOSTO/99

ORIGINAL PARTS
TATU

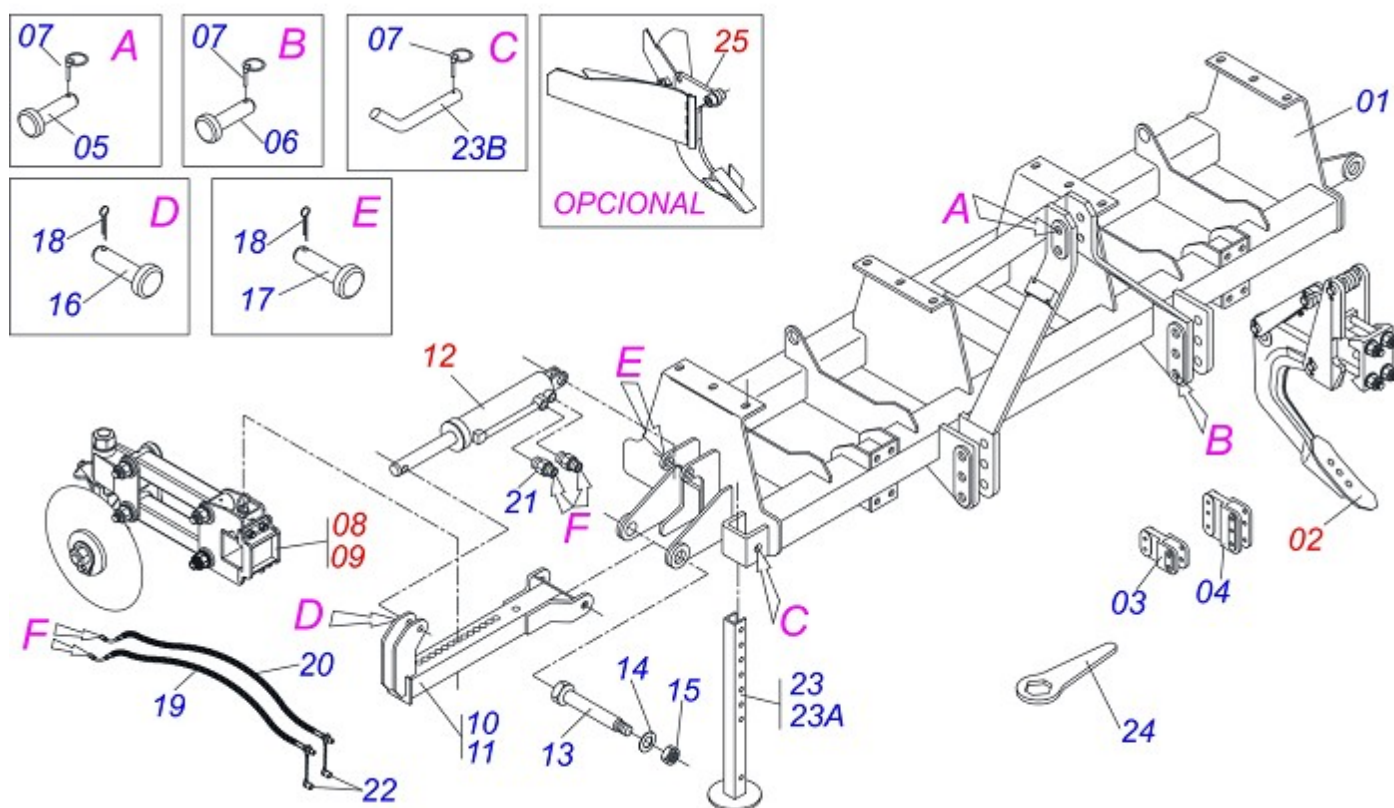


INDEX

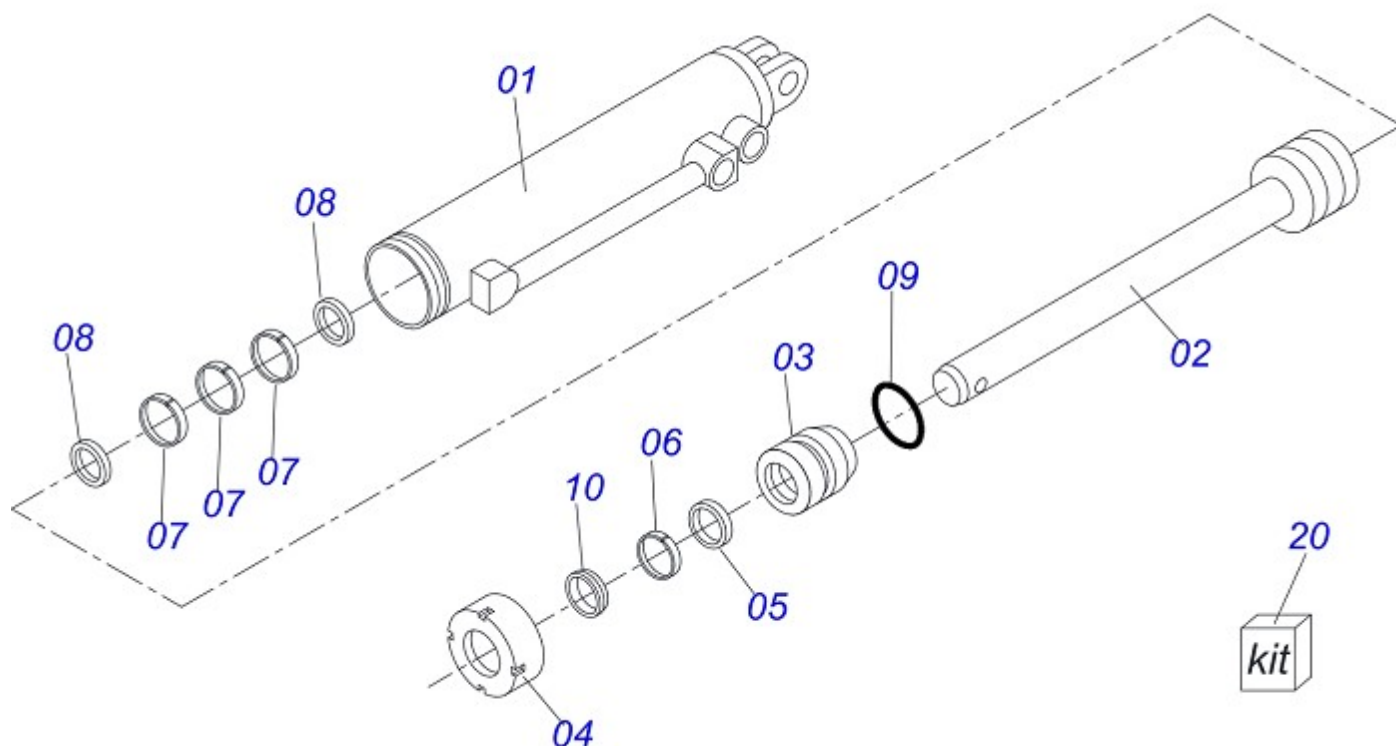
HIDR MARKER SU2 3L ESP 1500	1
HYDRAULIC CYLINDER	2
FURROWER ARM	3
SHANKS SYSTEM ASSY AST/MATIC 450	4
COVER DISC	5
DM OL 151 1.1/4" BEARING ASSY	6

ATTENTION: *IMPORTANT*

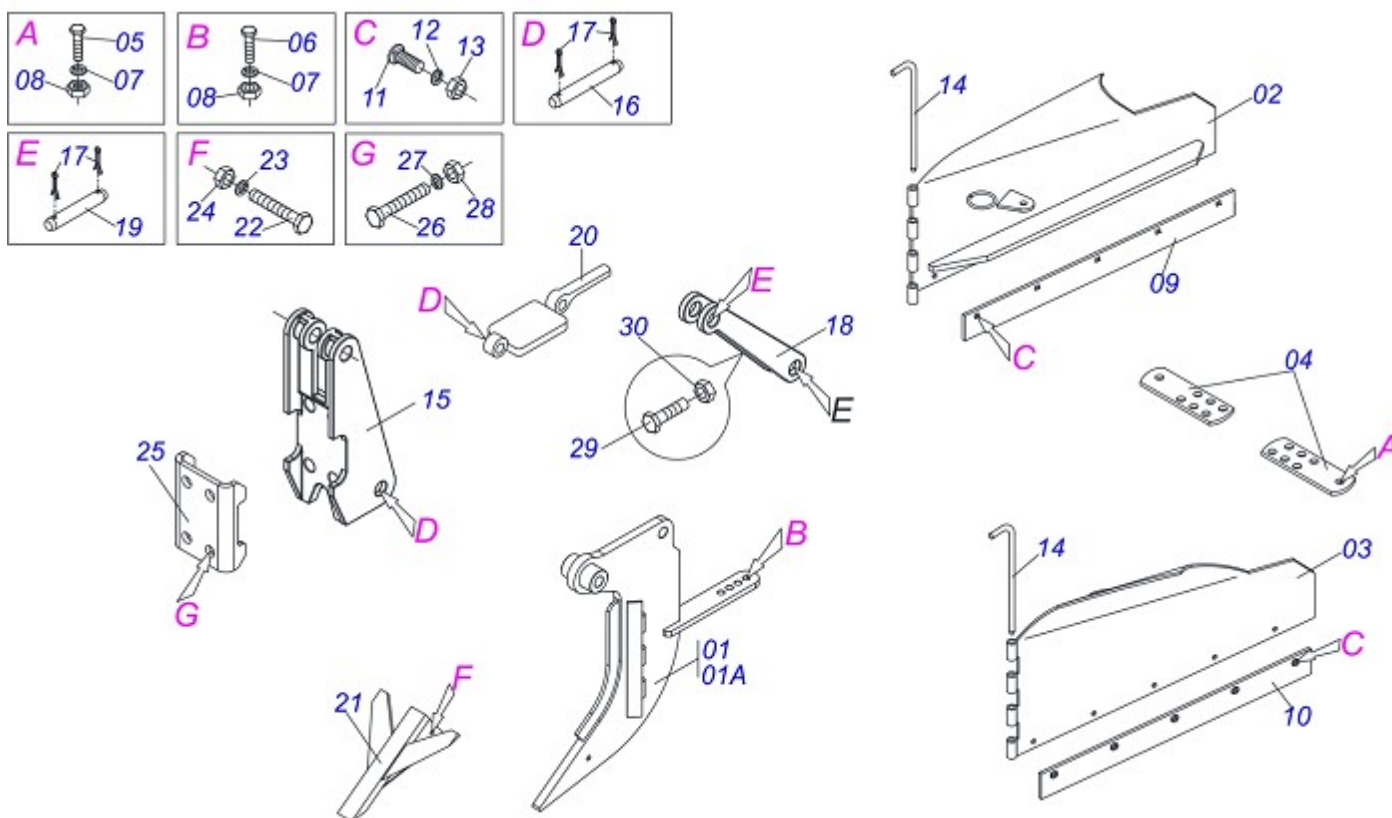
MARCHESAN RESERVES THE RIGHT AT ANY TIME TO MAKE IMPROVEMENTS IN THE DESIGN, MATERIAL OR SPECIFICATIONS OF MACHINERY, EQUIPMENT OR PARTS WITHOUT THEREBY BECOMING LIABLE TO MAKE SIMILAR CHANGES IN MACHINERY, EQUIPMENT OR PARTS PREVIOUSLY SOLD.



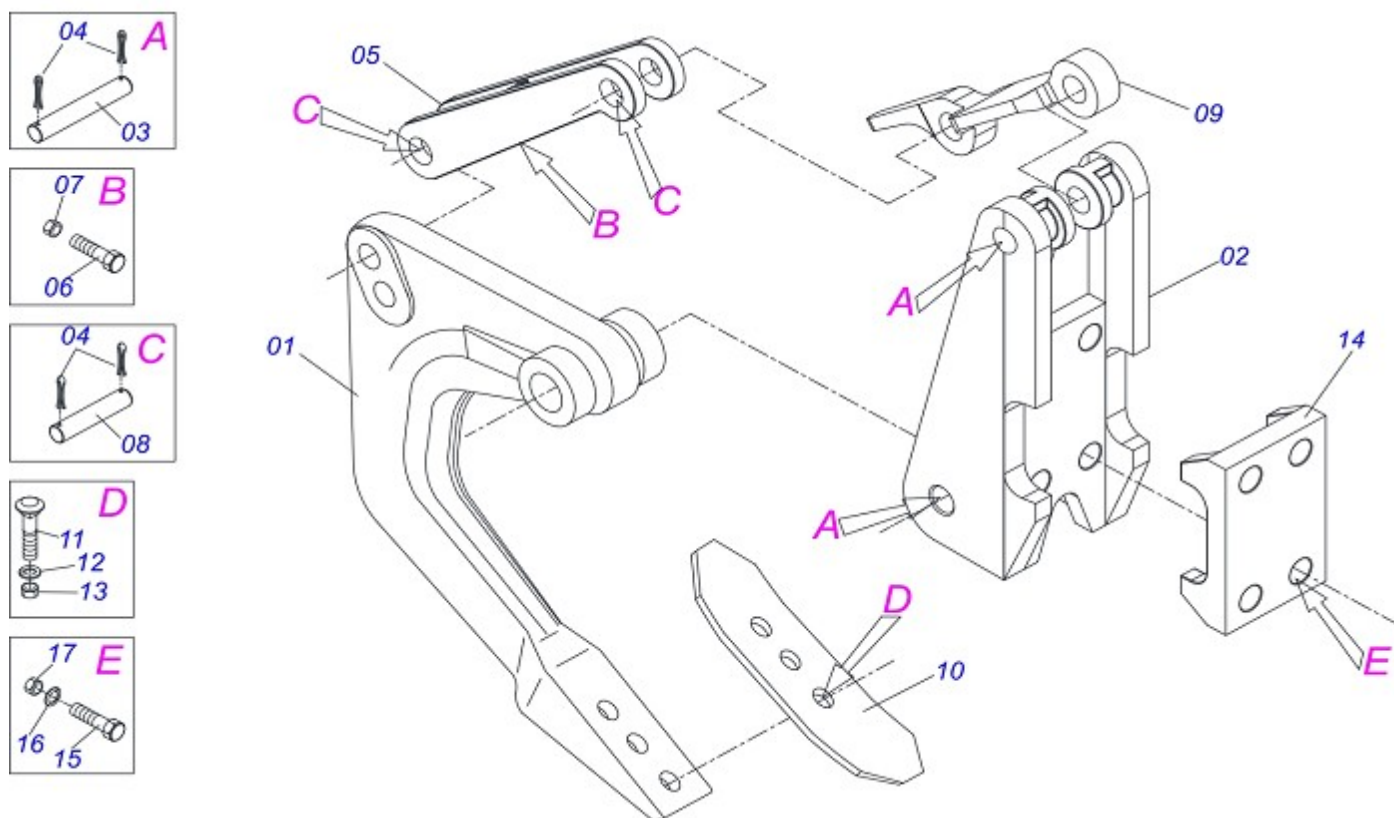
Item	Code	Description	
01	0511067630	FRAME CATEGORY II ES1500 P/MH SACM2 DC	01
02	0501046935	SHANKS SYSTEM ASSY AST/MATIC 450	03
03	0502040507	3 POINT EXTENSION UPPER	01
04	0502040506	3 POINT EXTENSION LOWER SACM2	02
05	0521012533	0.9" X 5.5" COUPLING SHAFT	03
06	0521012124	FRAME TRACTOR AXLE LOWER FIXER	06
07	0503030085	LOCK PIN 5,7 X 40	09
08	0501049012	RIGHT DISC COVER	01
09	0501049013	LH DISC COVER	01
10	0511064113	LH ROW MARKER ARM	01
11	0511064112	RH ROW MARKER ARM	01
12	0501049353	HYDRAULIC CYLINDER	02
13	0511064423	COUPLING SHAFT	02
14	0531018050	FLAT WASHER	02
15	0503010063	1" SELF-ALIGNING NUT	02
16	0521019085	PIN WITH HEAD PN-363 3094905	02
17	0521016834	PIN WITH HEAD PN-006 3090065 ZN	02
18	0503010038	3/16" X 2" COTTERPIN	04
19	0501080185	1/2" X 157" TR-TM HOSE ASSY	02
20	0501080001	1/2" X 177" TR-TM HOSE ASSY	02
21	0511014065	7/8" NF X R1/2NPT X 52 NIPPLE	04
22	0501053834	QUICK CONECTION (MALE) 1/2NPT	04
23	0501051903	PLOUGH SUPPORT ASSY	04
23A	0511060688	900 PLOUGH SUPPORT	04
23B	0501011075	PIN	04
24	0521012199	1.6" GANG BOLT WRENCH	01
25	0501048283	FURROWER ARM	01



Item	Code	Description	
01	0511062620	CYLINDER CASE	01
02	0511062619	TURNBUCLE	01
03	0502011741	TURNBUCLE GUIDE	01
04	0502011820	COVER	01
05	0503012508	GASKET	01
06	0503012710	RING (TEFLON) CH 41000	01
07	0503012506	RING (TEFLON) CH 31800	03
08	0503012505	RUBBER RING	02
09	0503012504	O'RING 2-333 RING	01
10	0503010761	D-1750 SCRAPER RING	01

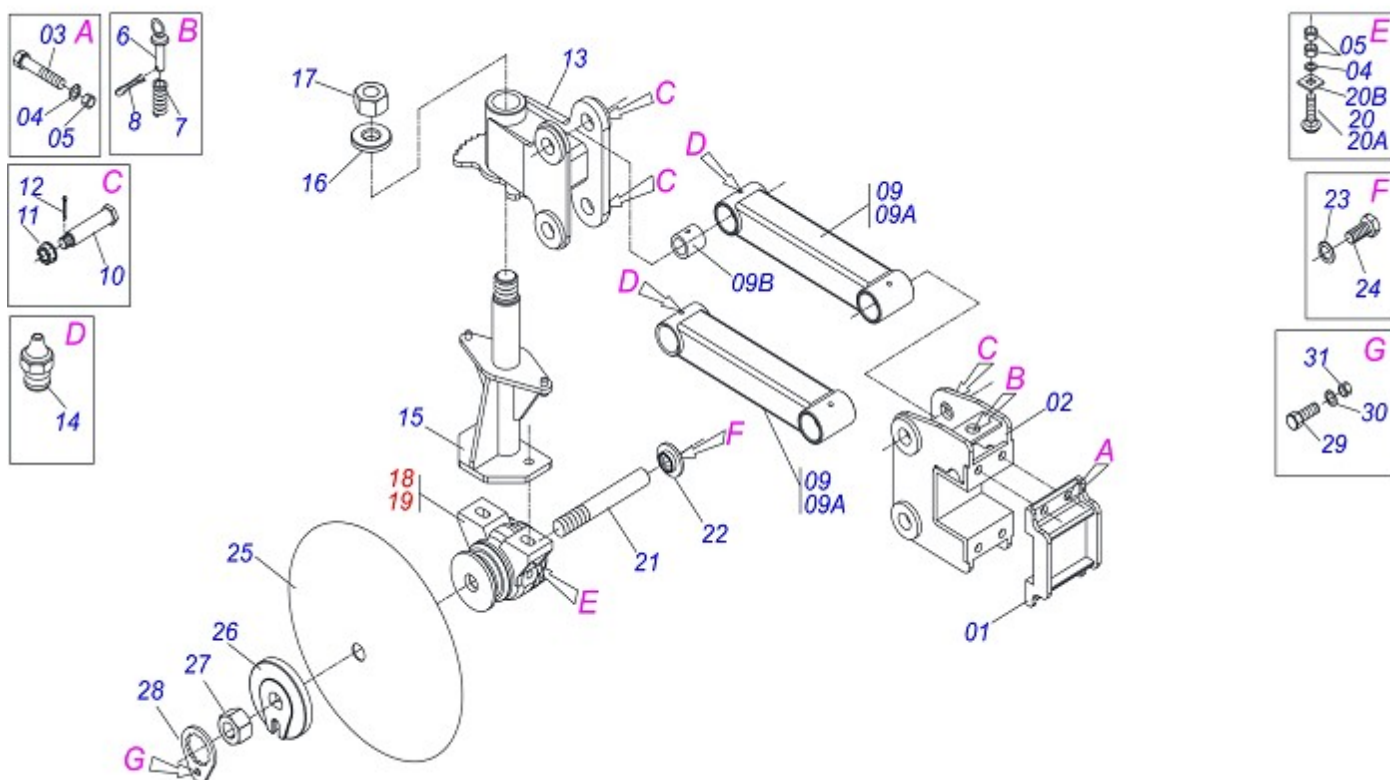


Item	Code	Description	QT
01	0501048283	FURROWER ARM	
01A	0501069713	FURROWER ARM	01
02	0501069714	ARM SUBSOILER WING RIGHT	01
03	0501069715	ARM SUBSOILER WING LEFT	01
04	0551011638	ADJUSTMENT BAR	02
05	0503010899	5/8" X 2-1/4" BOLT	02
06	0501013233	5/8" X 2-3/4" BOLT	01
07	0503010027	5/8" SPRING WASHER	03
08	0503010013	5/8" NUT	03
09	0541019275	RIGHT SCRAPER	01
10	0541019276	LEFT SCRAPER	01
11	0503011426	7/16" X 1-1/4" BOLT	10
12	0503010180	7/16" SPRING WASHER	10
13	0503010244	7/16" NUT	10
14	0521012821	ARM SUBSOILER AXLE PIVOT WING	02
15	0502011165	REAR FIXER	01
16	0511015688	1.1" X 7.1" COUPLING SHAFT	02
17	0503010571	1/4" X 1.1/2" COTTERPIN	08
18	0502011164	SUPPORT SPRING	01
19	0511015689	1.1" X 3.5" COUPLING SHAFT	02
20	0521011631	AUTOMATIC RESET	01
21	0501069716	POINT ALADA PLOW	01
22	0503011236	3/8" X 2" BOLT	01
23	0503010025	3/8" SPRING WHASHER	01
24	0503010026	3/8" NUT	01
25	0502011166	FRONT FIXER	01
26	0511019527	1" X 8" BOLT	04
27	0503011438	1" SPRING WASHER	04
28	0503010340	1" UNF NUT	04
29	0503011173	7/16" X 2" BOLT	01
30	0503010244	7/16" NUT	01



Item	Code	Description	
00	0501046935	SHANKS SYSTEM ASSY AST/MATIC 450	01
01	0502011264	ARM AST/MATIC	01
02	0502011165	REAR FIXER	01
03	0511015688	1.1" X 7.1" COUPLING SHAFT	02
04	0503010571	1/4" X 1.1/2" COTTERPIN	08
05	0502011164	SUPPORT SPRING	01
06	0503011173	7/16" X 2" BOLT	01
07	0503010244	7/16" NUT	01
08	0511015689	1.1" X 3.5" COUPLING SHAFT	02
09	0521011631	AUTOMATIC RESET	01
10	0624010005	POINT SUBSOILER 16"X3"X1/2" E019	01
11	0501010078	1/2" X 1-1/2" BOLT	03
12	0503011440	1/2" SPRING WASHER	03
13	0503010020	1/2" NUT	03
14	0502011166	FRONT FIXER	01
15	0511019527	1" X 8" BOLT	04
16	0503011438	1" SPRING WASHER	04
17	0503010340	1" UNF NUT	04

COVER DISC



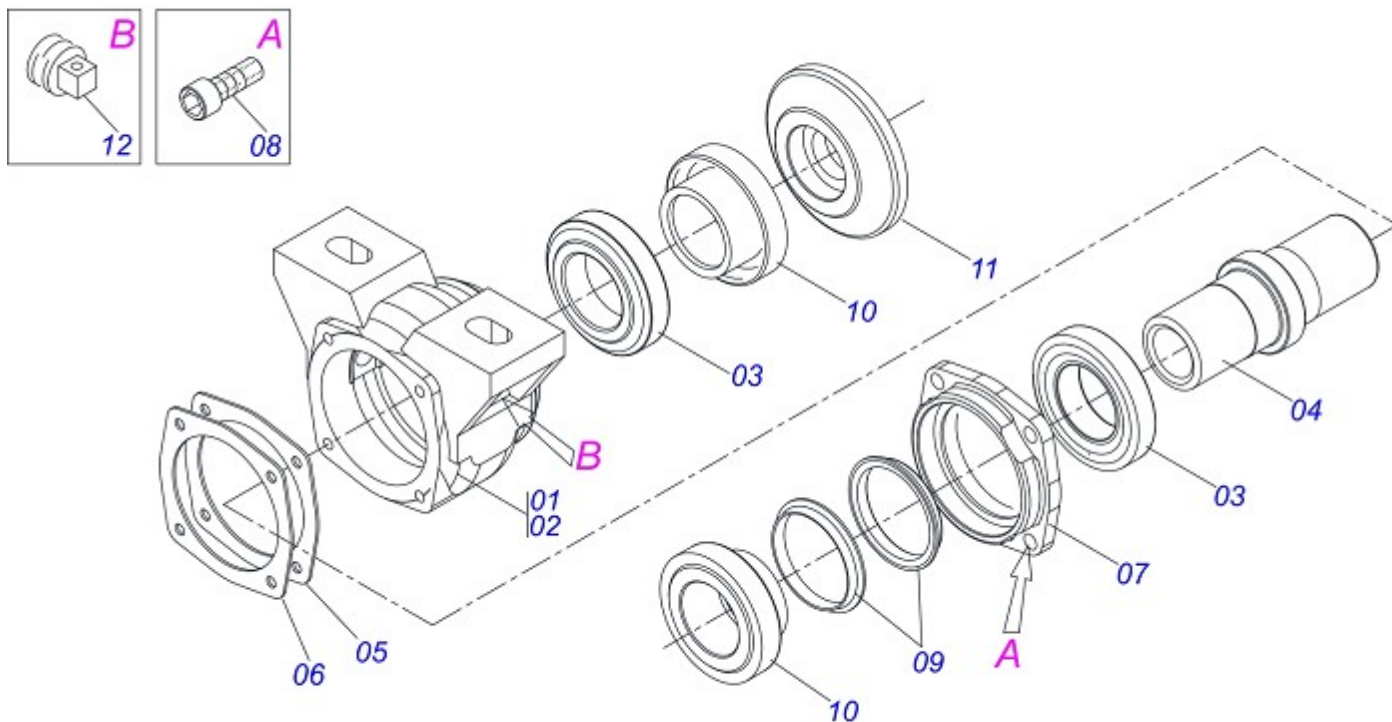
Item	Code	Description	QT
00A	0501049012	RIGHT DISC COVER	01
00B	0501049013	LH DISC COVER	01
01	0511060989	SUPPORT FIXER	01
02	0511060988	SUPPORT	01
03	0503010232	5/8" X 1.3/4" BOLT	04
04	0503010027	5/8" SPRING WASHER	04
05	0503010013	5/8" NUT	04
06	0501069472	DRIVER REG LOCK PIN	01
07	0503030978	1.3" X 4" X 0.1" SPRING	01
08	0503010038	3/16" X 2" COTTERPIN	01
09	0501052393	ROCKING DRIVER	02
09A	0511060990	ROCKING DRIVER	04
09B	0521012122	DRIVER ROCKING SLEEVE SUPPORT	04
10	0521015314	AXLE FIXER	04
11	0503030420	1" X 0.67" CASTLE NUT	04
12	0503010523	1/4" X 2" COTTERPIN	04
13	0511060991	SUPPORT ADJUSTING DISC COVER	01
14	0503010002	GREASE FITTING	05
15	0511063098	DISC REG SUPPORT UPPER	01
16	0521012120	WASHER	01
17	0503010290	SELF ADJUSTING 1.1/2" UNF NUT	01
18	0501049010	BEARING GUARD	01
19	0501049011	BEARING GUARD	01
20	0501048963	5/8" X 2-1/2" BOLT ASSY	02
20A	0501014177	5/8" X 2-1/2" BOLT	02
20B	0501010947	5/8" SQUARE WASHER	02
21	0521015310	1.1/4 UNC X 206 AXLE	01
22	0521015311	WASHER	01
23	0503010023	3/4" SPRING WASHER	01
24	0501010098	3/4" X 2" BOLT	01
25	0601025002	18" X 0.1" PLAIN DISC BLADE	01
26	0502010835	1-1/4" EXTERNAL AXLE WASHER	01
27	0501010087	1.1/4" UNC NUT	01



COVER DISC

0909091468

Item	Code	Description	QT
28	0501010455	1-1/4" 2.04" NUT LOCK	01
29	0501010161	1/2" X 1-1/4" BOLT	01
30	0503010019	1/2" SPRING WASHER	01
31	0503010060	1/2" NUT	01



Item	Code	Description	
00	0501049010	BEARING GUARD	01
00A	0501049011	BEARING GUARD	01
01	0502011765	HOUSING DM	01
02	0502011766	HOUSING DM	01
03	0503010111	30210 ROLLER BEARING	02
04	0502040484	BEARING AXLE	01
05	0503030013	4.4" X 3.5" X 0.004" JOINT	02
06	0503030684	4.4" X 3.5" X 0.004" JOINT	01
07	0502020424	HOUSING CAP DM	01
08	0503010134	3/8" X 1" BOLT	04
09	0503030026	SEAL # LP JB-253	02
10	0502010541	SEAL RETAINER	02
11	0502010074	INNER FLANGE	01
12	0503010856	3/8" OIL PLUG	01



MARCHESAN IMPLEMENTOS E MÁQUINAS AGRÍCOLAS TATU S.A.
AV. Marchesan, 1979 - Post office box, 131 - CEP 15994-900 - Matão - SP - Brazil
Phone +55 16.3382-8282
(FAX Parts) + 55 16.3382. 8297 - (Export) + 55 16.3382.1003
e.mail: tatu@marchesan.com.br www.marchesan.com.br

Drafting and Illustration = GASPARI
e.mail = jgaspari@marchesan.com.br

**ORIGINAL PARTS
TATU**

