

# PARTS CATALOG

## IMPLEMENTS FOR SUGAR CANE

### SU-2 2L/DC 1300 A 1500

Code: 0501091291



Series: S-0999

Review: SETEMBRO/99

ORIGINAL PARTS  
TATU

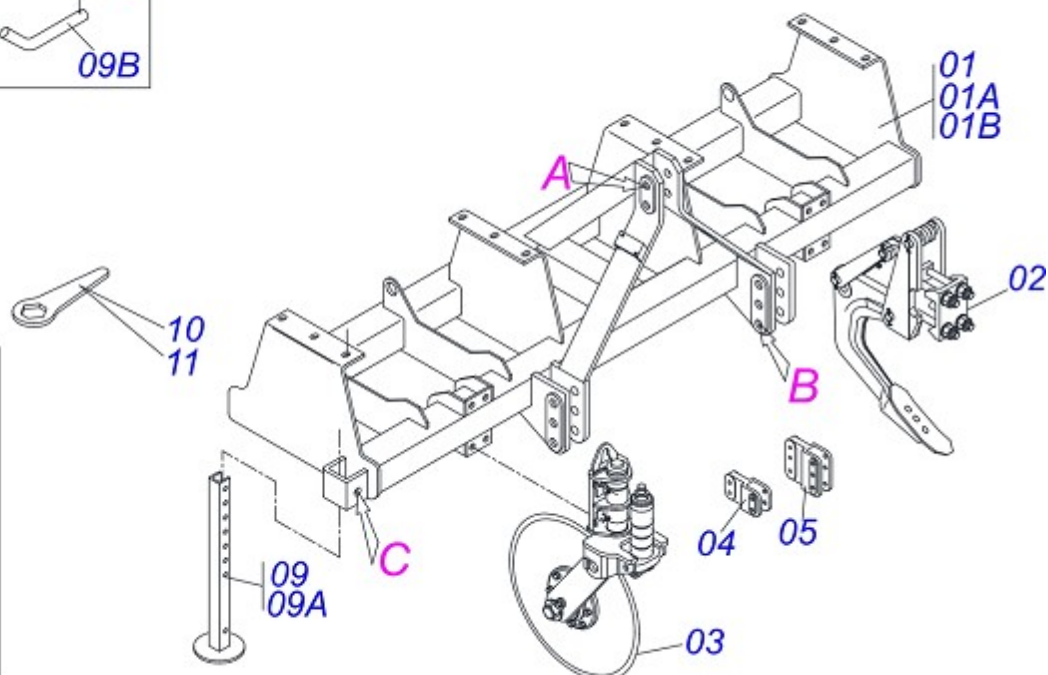
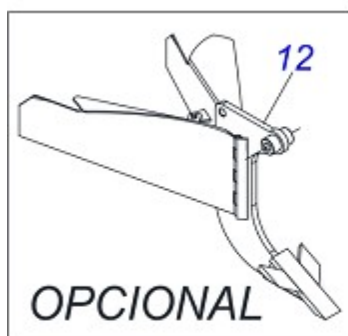
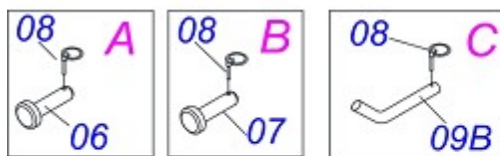


# INDEX

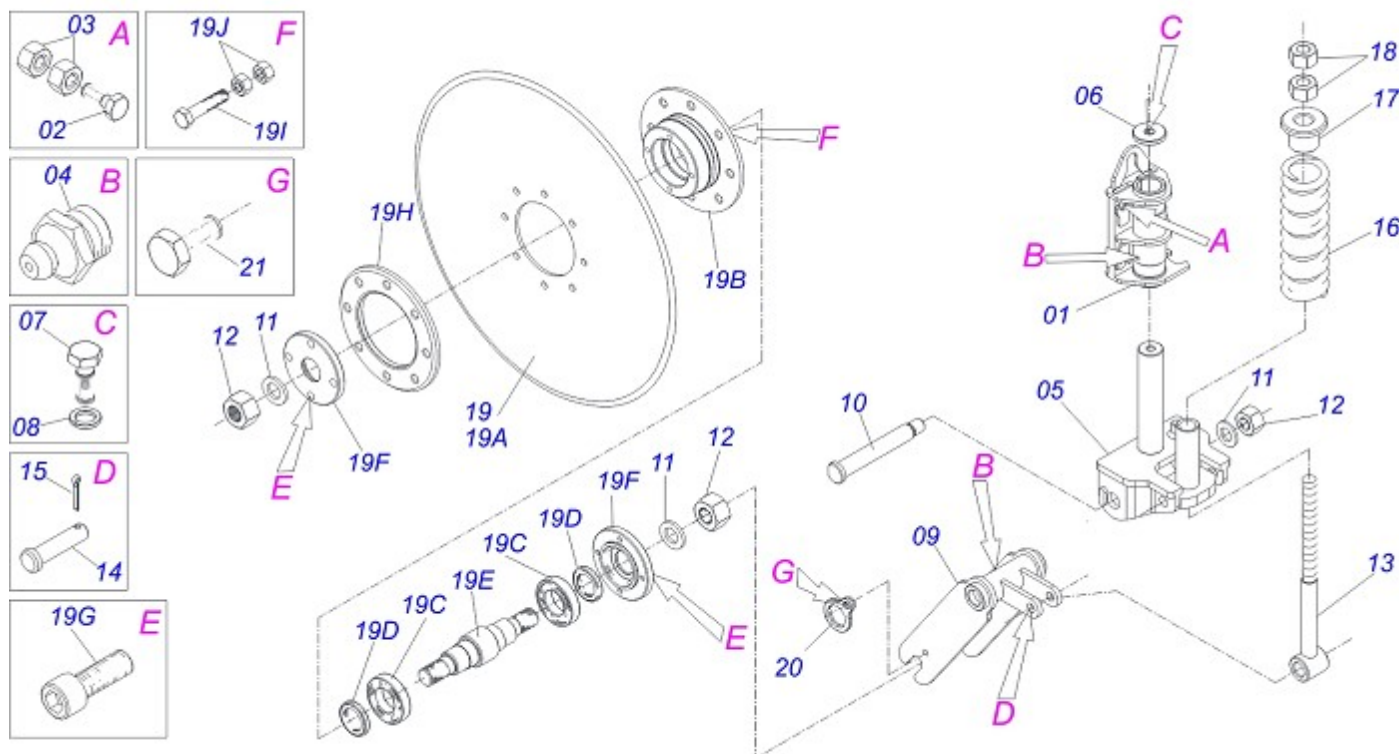
SU2 FURROWER	.....	1
24" BLADE DISC ASSY	.....	2
FURROWER ARM	.....	3
SHANKS SYSTEM ASSY AST/MATIC 450	.....	4

**ATTENTION: IMPORTANT**

MARCHESAN RESERVES THE RIGHT AT ANY TIME TO MAKE IMPROVEMENTS IN THE DESIGN, MATERIAL OR SPECIFICATIONS OF MACHINERY, EQUIPMENT OR PARTS WITHOUT THEREBY BECOMING LIABLE TO MAKE SIMILAR CHANGES IN MACHINERY, EQUIPMENT OR PARTS PREVIOUSLY SOLD.



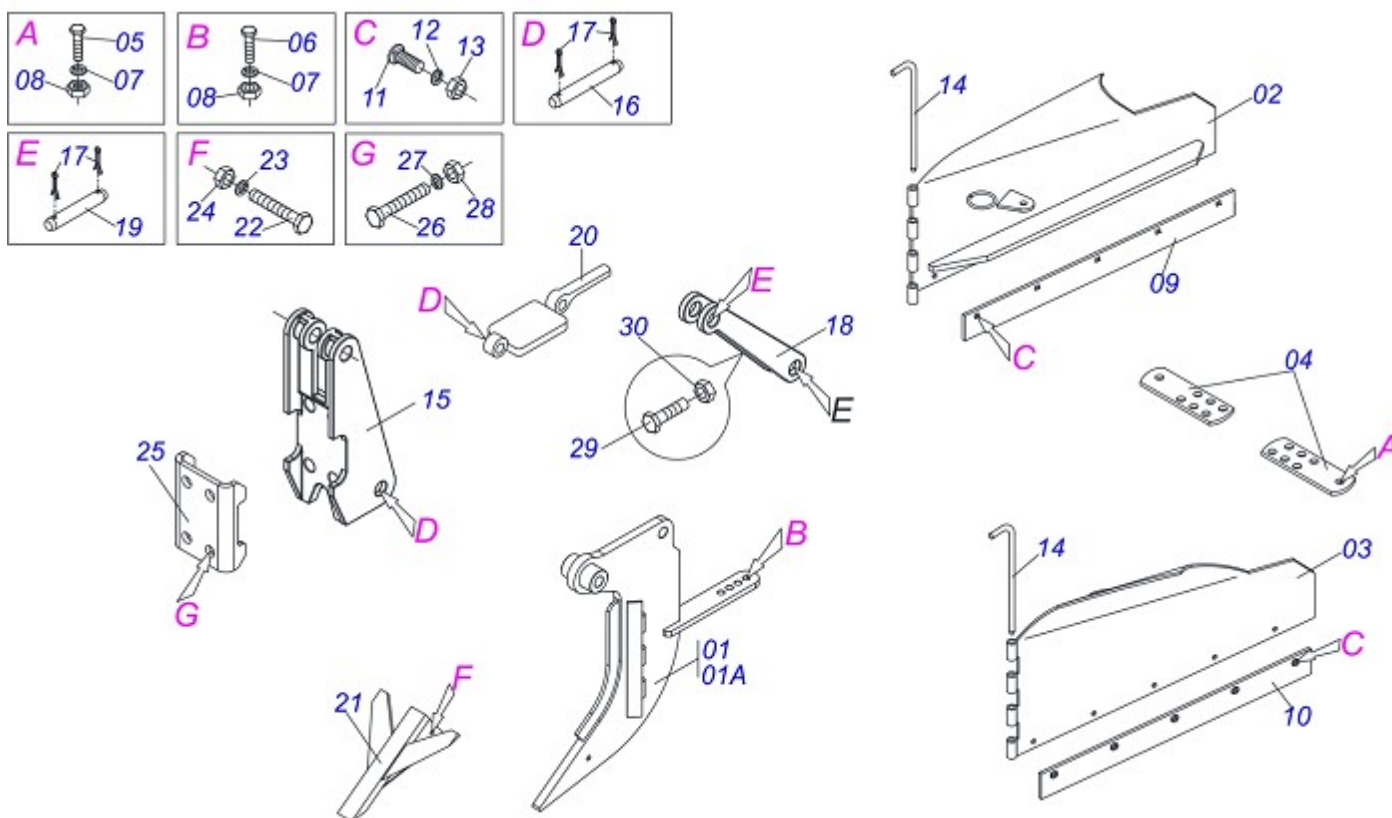
Item	Code	Description	1300	1400	1500
01	0501069377	51.2" CATEGORY SPACING FRAME II	01		
01A	0501069471	55.2" CATEGORY SPACING FRAME II		01	
01B	0501069484	59" CATEGORY SPACING FRAME II			01
02	0501048283	FURROWER ARM	02	02	02
03	0501048280	24" BLADE DISC ASSY	02	02	02
04	0502040507	3 POINT EXTENSION UPPER	01	01	01
05	0502040506	3 POINT EXTENSION LOWER SACM2	02	02	02
06	0521012533	0.9" X 5.5" COUPLING SHAFT	03	03	03
07	0521012124	FRAME TRACTOR AXLE LOWER FIXER	06	06	06
08	0503030085	LOCK PIN 5,7 X 40	09	09	09
09	0501051903	PLOUGH SUPPORT ASSY	03	03	03
09A	0511060688	900 PLOUGH SUPPORT	03	03	03
09B	0501011075	PIN	03	03	03
10	0521012126	1.3" CABLE FLAT WRENCH HEX	01	01	01
11	0521012199	1.6" GANG BOLT WRENCH	01	01	01
12	0501048283	FURROWER ARM	02	02	02



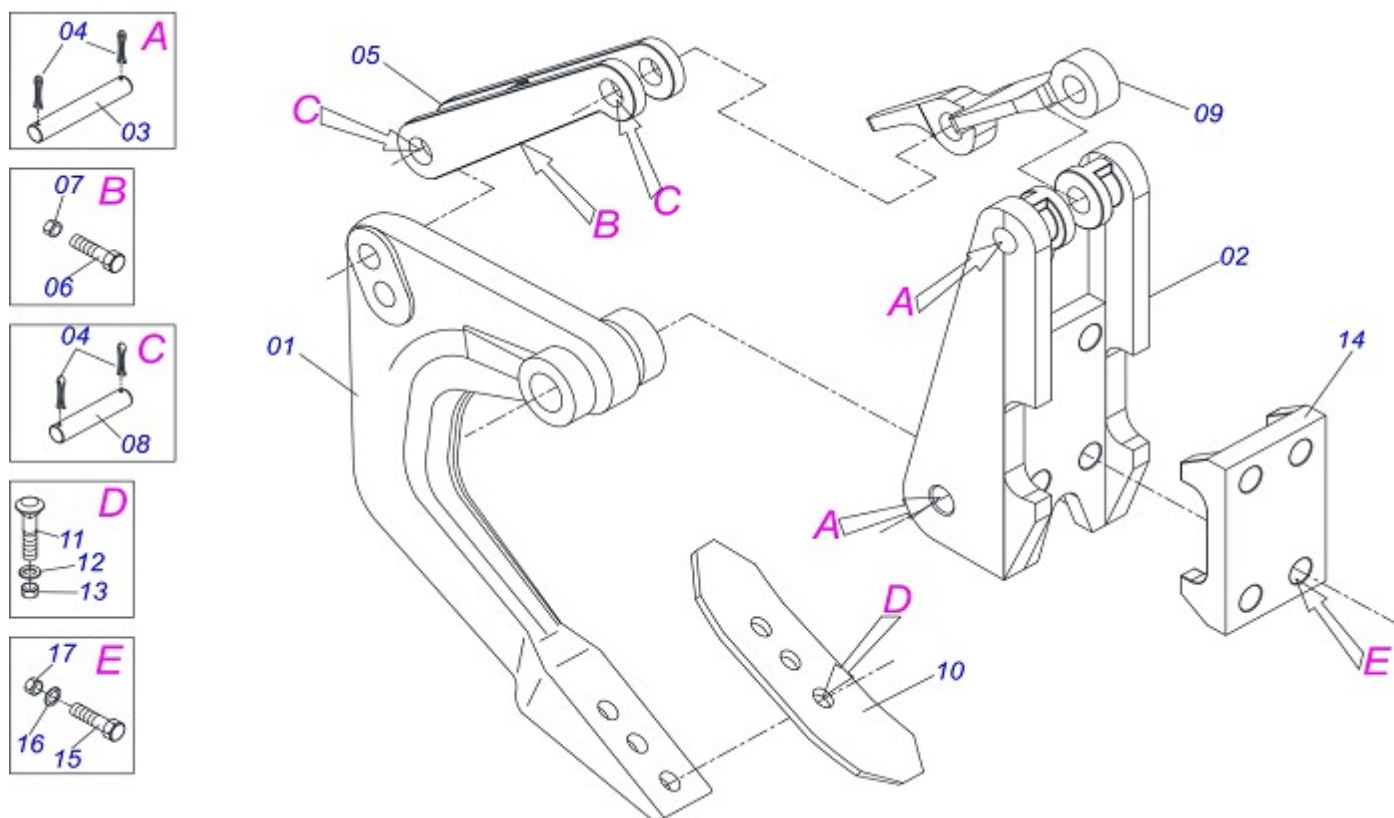
Item	Code	Description	QT
00	0501048280	24" BLADE DISC ASSY	01
01	0501069386	BLADE DISC SUPPORT	01
02	0503010478	3/4" X 3-1/2" BOLT	04
03	0503010014	3/4" NUT	08
04	0503010002	GREASE FITTING	03
05	0501069639	BLADE DISC BASE SWIVEL	01
06	0521012660	WASHER	01
07	0501010098	3/4" X 2" BOLT	01
08	0503010023	3/4" SPRING WASHER	01
09	0501069640	BLADE DISC FORK	01
10	0521012662	ROTATIVE AXLE FIXER FORK BASE	01
11	0521012664	FLAT WASHER	03
12	0501010087	1.1/4" UNC NUT	03
13	0501069638	R1" X 13.8" X 0.9" SPRING ROD	01
14	0521012659	SPRING ROD AXLE FIXER	01
15	0503010571	1/4" X 1.1/2" COTTERPIN	01
16	0503031390	2.1"X10"X1/2" COMPRESSION SPRING	01
17	0521012663	SPRING SLEEVE FIXER	01
18	0501010059	1" NUT HEX	02
19	0501052013	24" BLADE DISC WITH HOUSING	01
19A	0603030044	24" X 0.2" FLAT PLAIN DISC	01
19B	0502011478	DISC HUB	01
19C	0503011291	6209 BALL BEARING	02
19D	0503012106	00521-BR SEAL	02
19E	0521012661	BLADE DISC AXLE HUB	01
19F	0502011477	BLADE DISC HOUSIG CP	02
19G	0503010134	3/8" X 1" BOLT	08
19H	0521011824	BLADE DIC FALNGE OUTER	01
19I	0503010905	1/2" X 2-1/4" BOLT	08
19J	0503010060	1/2" NUT	16
20	0501069637	AXLE NUT LOCK	02
21	0503010962	5/8" X 1-1/4" BOLT	02

FURROWER ARM

0501048283



Item	Code	Description	QT
01	0501048283	FURROWER ARM	
01A	0501069713	FURROWER ARM	01
02	0501069714	ARM SUBSOILER WING RIGHT	01
03	0501069715	ARM SUBSOILER WING LEFT	01
04	0551011638	ADJUSTMENT BAR	02
05	0503010899	5/8" X 2-1/4" BOLT	02
06	0501013233	5/8" X 2-3/4" BOLT	01
07	0503010027	5/8" SPRING WASHER	03
08	0503010013	5/8" NUT	03
09	0541019275	RIGHT SCRAPER	01
10	0541019276	LEFT SCRAPER	01
11	0503011426	7/16" X 1-1/4" BOLT	10
12	0503010180	7/16" SPRING WASHER	10
13	0503010244	7/16" NUT	10
14	0521012821	ARM SUBSOILER AXLE PIVOT WING	02
15	0502011165	REAR FIXER	01
16	0511015688	1.1" X 7.1" COUPLING SHAFT	02
17	0503010571	1/4" X 1.1/2" COTTERPIN	08
18	0502011164	SUPPORT SPRING	01
19	0511015689	1.1" X 3.5" COUPLING SHAFT	02
20	0521011631	AUTOMATIC RESET	01
21	0501069716	POINT ALADA PLOW	01
22	0503011236	3/8" X 2" BOLT	01
23	0503010025	3/8" SPRING WHASHER	01
24	0503010026	3/8" NUT	01
25	0502011166	FRONT FIXER	01
26	0511019527	1" X 8" BOLT	04
27	0503011438	1" SPRING WASHER	04
28	0503010340	1" UNF NUT	04
29	0503011173	7/16" X 2" BOLT	01
30	0503010244	7/16" NUT	01



Item	Code	Description	
00	0501046935	SHANKS SYSTEM ASSY AST/MATIC 450	01
01	0502011264	ARM AST/MATIC	01
02	0502011165	REAR FIXER	01
03	0511015688	1.1" X 7.1" COUPLING SHAFT	02
04	0503010571	1/4" X 1.1/2" COTTERPIN	08
05	0502011164	SUPPORT SPRING	01
06	0503011173	7/16" X 2" BOLT	01
07	0503010244	7/16" NUT	01
08	0511015689	1.1" X 3.5" COUPLING SHAFT	02
09	0521011631	AUTOMATIC RESET	01
10	0624010005	POINT SUBSOILER 16"X3"X1/2" E019	01
11	0501010078	1/2" X 1-1/2" BOLT	03
12	0503011440	1/2" SPRING WASHER	03
13	0503010020	1/2" NUT	03
14	0502011166	FRONT FIXER	01
15	0511019527	1" X 8" BOLT	04
16	0503011438	1" SPRING WASHER	04
17	0503010340	1" UNF NUT	04

# ANNOTATIONS

---

---

---

---

---

---

---

---

---

---

---

---

---

---

---

---

---

---

---

---

---

---

---

---

---

---

---

---

---

---

ORIGINAL PARTS  
TATU





**MARCHESAN**

**MARCHESAN IMPLEMENTOS E MÁQUINAS AGRÍCOLAS TATU S.A.**

AV. Marchesan, 1979 - Post office box, 131 - CEP 15994-900 - Matão - SP - Brazil

Phone +55 16.3382-8282

(FAX Parts) + 55 16.3382. 8297 - (Export) + 55 16.3382.1003

e.mail: [tatu@marchesan.com.br](mailto:tatu@marchesan.com.br) [www.marchesan.com.br](http://www.marchesan.com.br)

*Drafting and Illustration = GASPARI  
e.mail = [jgaspari@marchesan.com.br](mailto:jgaspari@marchesan.com.br)*

**ORIGINAL PARTS  
TATU**



**MARCHESAN**