

PARTS CATALOG

IMPLEMENTS FOR SUGAR CANE

SA-2 2L/2H 1300 A 1500 DC.

Code: 0501091290



Series: S-0899

Rev.: 00

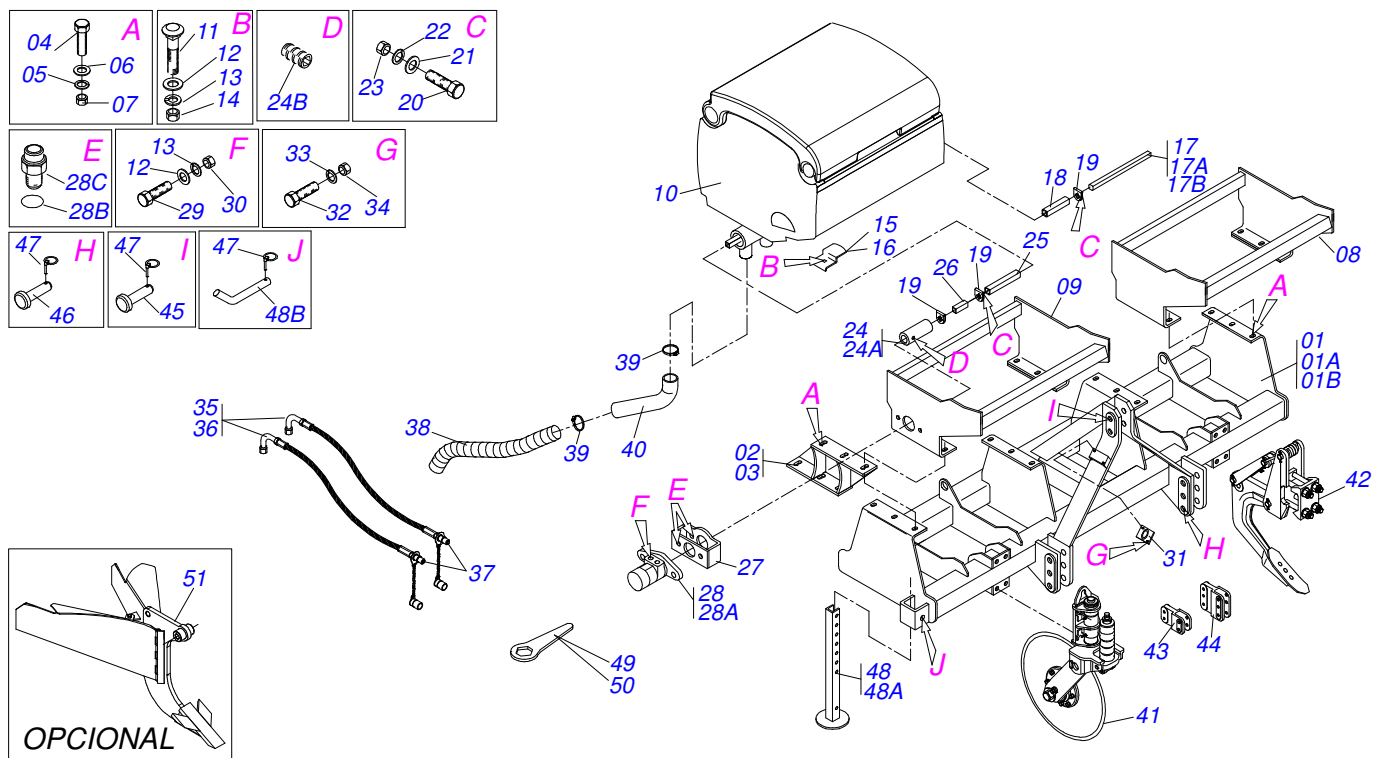
Date Rev.: AGOSTO/1999

ORIGINAL PARTS
TATU



INDEX

0909090956	SA2 FURROWER AND FERTILIZER	1
0501052221	FERTILIZER BEAM ASSY	2
0501048280	24" BLADE DISC ASSY	3
0501048283	FURROWER ARM	4
0501046935	SHANKS SYSTEM ASSY AST/MATIC 450	5

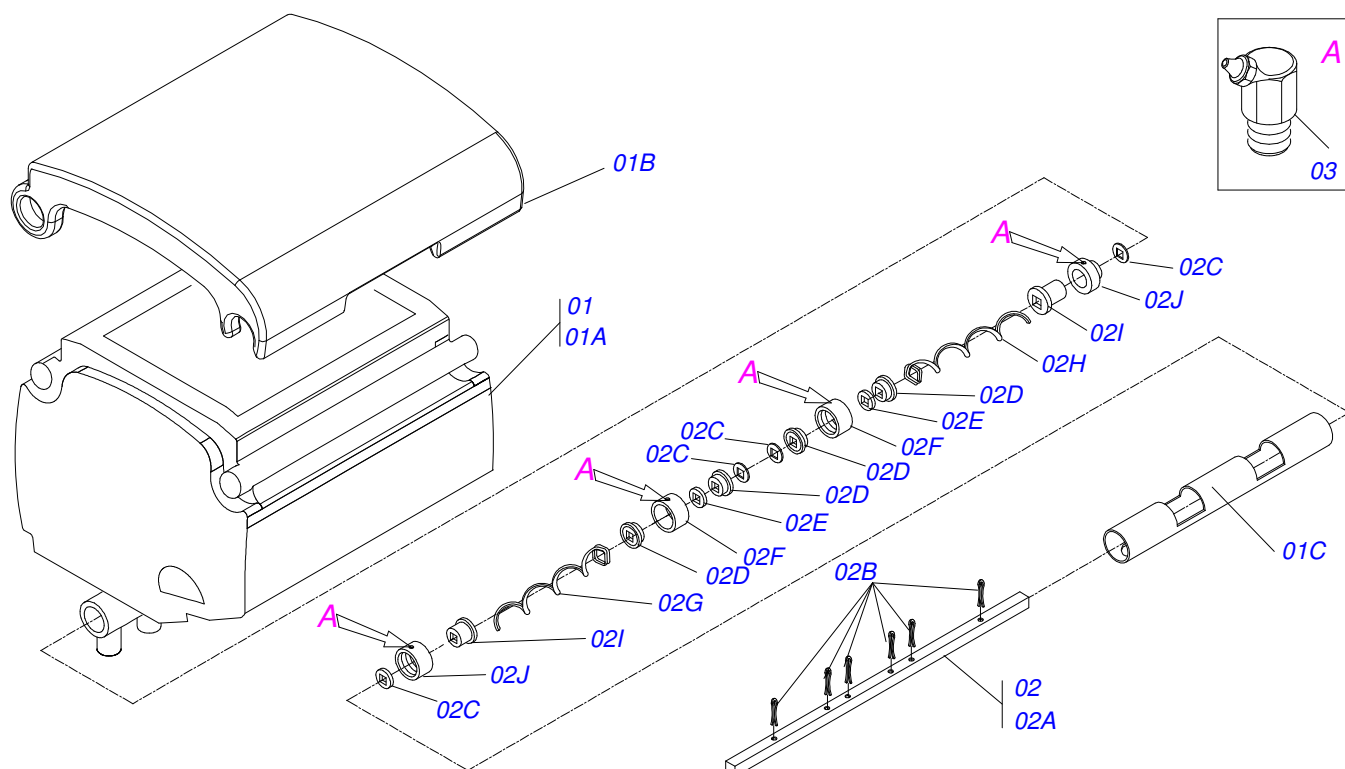


Item	Code	Description	1300	1400	1500
01	0501069377	51.2" CATEGORY SPACING FRAME II	01	00	00
01A	0501069471	55.2" CATEGORY SPACING FRAME II	00	01	00
01B	0501069484	59" CATEGORY SPACING FRAME II	00	00	01
02	0511062593	FERTILIZER BOX SUPPORT RIGHT SUPPLEMENT	02	02	02
03	0511062594	FERTILIZER BOX SUPPORT LEFT SUPPLEMENT	02	02	02
04	0503010232	5/8" X 1.3/4" BOLT	24	24	24
05	0501012140	FLAT WASHER	48	48	48
06	0503010027	SPRING WASHER	24	24	24
07	0503010013	5/8" NUT	24	24	24
08	0511060344	FERTILIZER BEAM SUPPORT	01	01	01
09	0511060345	LH FERTILIZER BOX SUPPORT	01	01	01
10	0501052221	FERTILIZER BEAM ASSY	02	02	02
11	0501010524	1/2" X 2" BOLT	04	04	04
12	0511017302	FLAT WASHER	08	08	08
13	0503010019	1/2" SPRING WASHER	08	08	08
14	0503010020	1/2"NUT	04	04	04
15	0521013865	FERTILIZER BEAM SIDE RIGHT	02	02	02
16	0521013617	FERTILIZER BEAM SIDE LEFT	02	02	02
17	0521013957	3/4" X 22.4" SQUARE SHAFT	01	00	00
17A	0521013958	3/4" X 26.3" SQUARE SHAFT	00	01	00
17B	0521013959	3/4" X 30.2" SQUARE SHAFT	00	00	01
18	0501018672	AXLE SLEEVE	02	02	02
19	0521010691	AXLE FASTENER	04	04	04
20	0503010373	1/4" X 2" BOLT	04	04	04
21	0501010694	FLAT WASHER	04	04	04
22	0503010143	SPRING WASHER	06	06	06
23	0503010144	1/4" NUT	06	06	06
24	0501049324	MOTOR HYDRAULIC BOLT SLEEVE	01	01	01
24A	0501069662	MOTOR HYFRAULIC SLEEVE	01	01	01
24B	0503011136	1/2" X 1/2" CSI BOLT	01	01	01
25	0521013954	SQUARE SHAFT	01	01	01
26	0511014217	0.8" X 2" SQUARE SLEEVE	01	01	01
27	0511060346	FIXER MOTOR SUPPORT	01	01	01

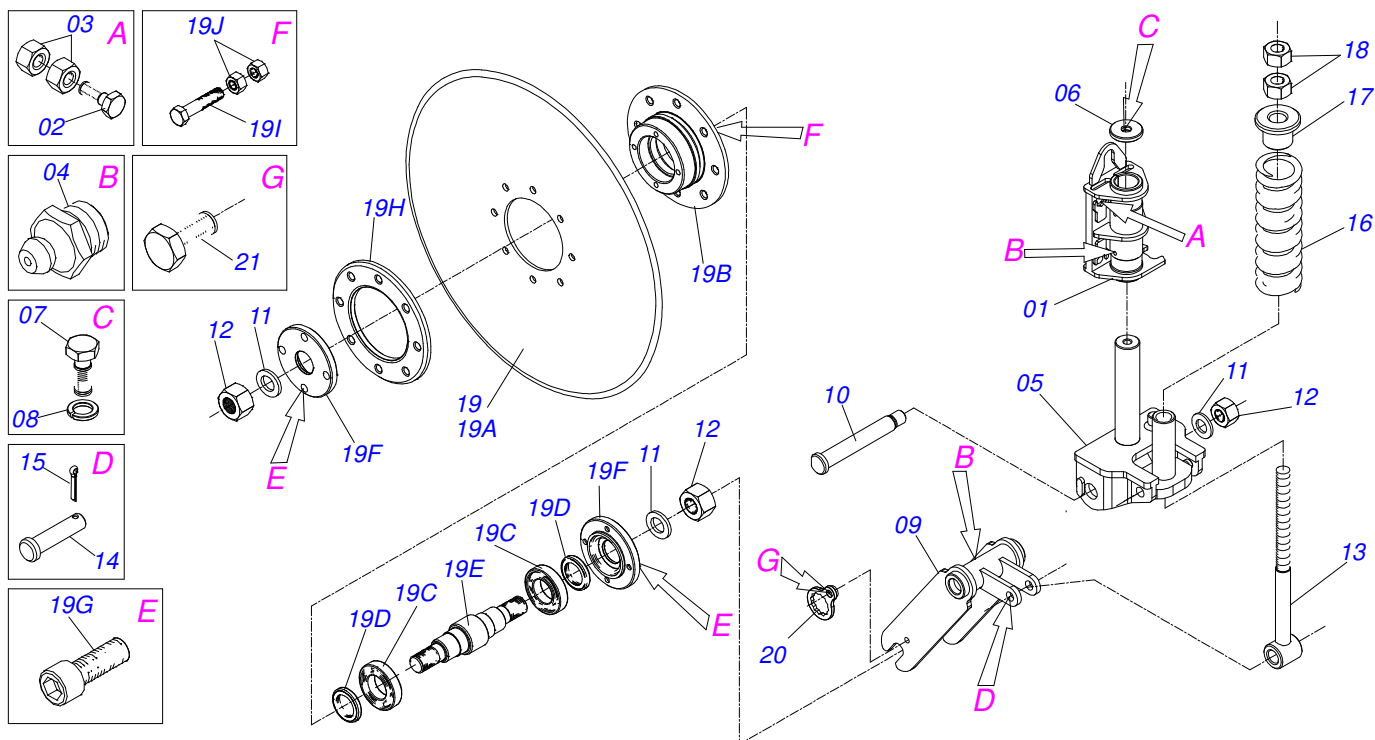


SA-2 2L/2H 1300 A 1500 DC.
SA2 FURROWER AND FERTILIZER

Item	Code	Description	1300	1400	1500
28	0501053421	VALVE MOTOR HYDRAULIC ASSY	01	01	01
28A	0503012829	VALVE HYDRAULIC MOTOR ASSY	01	01	01
28B	0503010045	2-116 N 3006-9B O'RING	01	01	01
28C	0501010590	7/8" REDUCTION NIPPLE	02	02	02
29	0503010920	1/2" X 1.1/2" BOLT	04	04	04
30	0503010060	1/2" NUT	04	04	04
31	0511062800	HOSE ASSY FIZER	01	01	01
32	0503010371	5/16" X 1" BOLT	02	02	02
33	0503010179	SPRING WASHER	02	02	02
34	0503010337	5/16" NUT	02	02	02
35	0501080676	1/2" X 122" HOSE ASSY TC-TM	02	02	02
36	0501080740	1/2" X 12" TC-TM HOSE ASSY	02	02	02
37	0501053834	MALE QUICK COUPLING AGRICULTURAL WITH	02	02	02
38	0521015491	2" X 1200 HOSE	04	04	04
39	0503010246	CLAMP	08	08	08
40	0503031050	CURVED CONDUCTOR	04	04	04
41	0501048280	24" BLADE DISC ASSY	02	02	02
42	0501048283	FURROWER ARM	02	02	02
43	0502040507	3 POINT EXTENSION UPPER	01	01	01
44	0502040506	3 POINT EXTENSION LOWER	02	02	02
45	0521012533	COUPLING SHAFT	03	03	03
46	0521012124	COUPLING SHAFT	06	06	06
47	0503030085	LOCK PIN	09	09	09
48A	0501051903	PLOUGH SUPPORT ASSY	03	03	03
48B	0511060688	900 PLOUGH SUPPORT	03	03	03
48C	0501011075	PIN	03	03	03
49	0521012126	1.3" CABLE FLAT WRENCH HEX	01	01	01
50	0521012199	1.6" GANG BOLT WRENCH	01	01	01
51	0501046935	SHANKS SYSTEM ASSY AST/MATIC 450	02	02	02

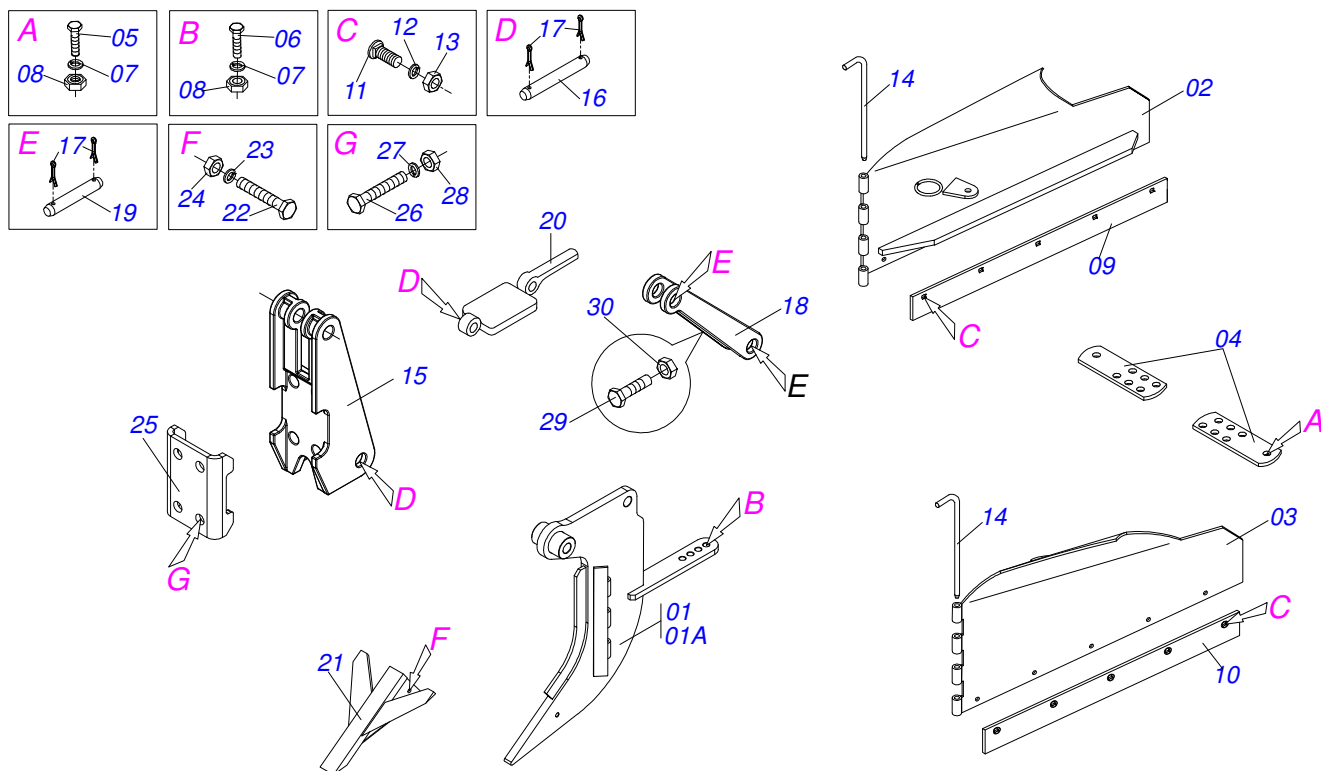


Item	Code	Description	QT
00	0501052221	FERTILIZER BEAM ASSY	
01	0503031548	YELLOW COVER/FERTILIZER BEAM GREEN	01
01A	0503031534	FERTILIZER BEAM GREEN	01
01B	0503031535	FERTILIZER BEAM COVER YELLOW	01
01C	0521013953	Ø 60 X Ø 53 X 645 PVC TUBE	01
02	0501052148	FERTILIZER BEAM AXLE ASSY	01
02A	0521013952	3/4" X 28.4" FERTILIZER BEAM AXLE Q	01
02B	0503010571	1/4" X 1.1/2 COTTERPIN	06
02C	0501010637	FLAT WASHER	04
02D	0503031527	AGRICULTURAL BEARING	04
02E	0501013774	GREASE SEAL	02
02F	0502011681	GUIDES AXLE FERTILIZER SLEEVE CENTE	02
02G	0503031469	RIGHT HELICAL SPRING	01
02H	0503031471	LEFT HELICAL SPRING	01
02I	0503030275	AGRICULTURAL BEARING	02
02J	0502020646	FERTILIZER AXLE SLEVE GUIDES	02
03	0503012102	CREASE FITTING	04

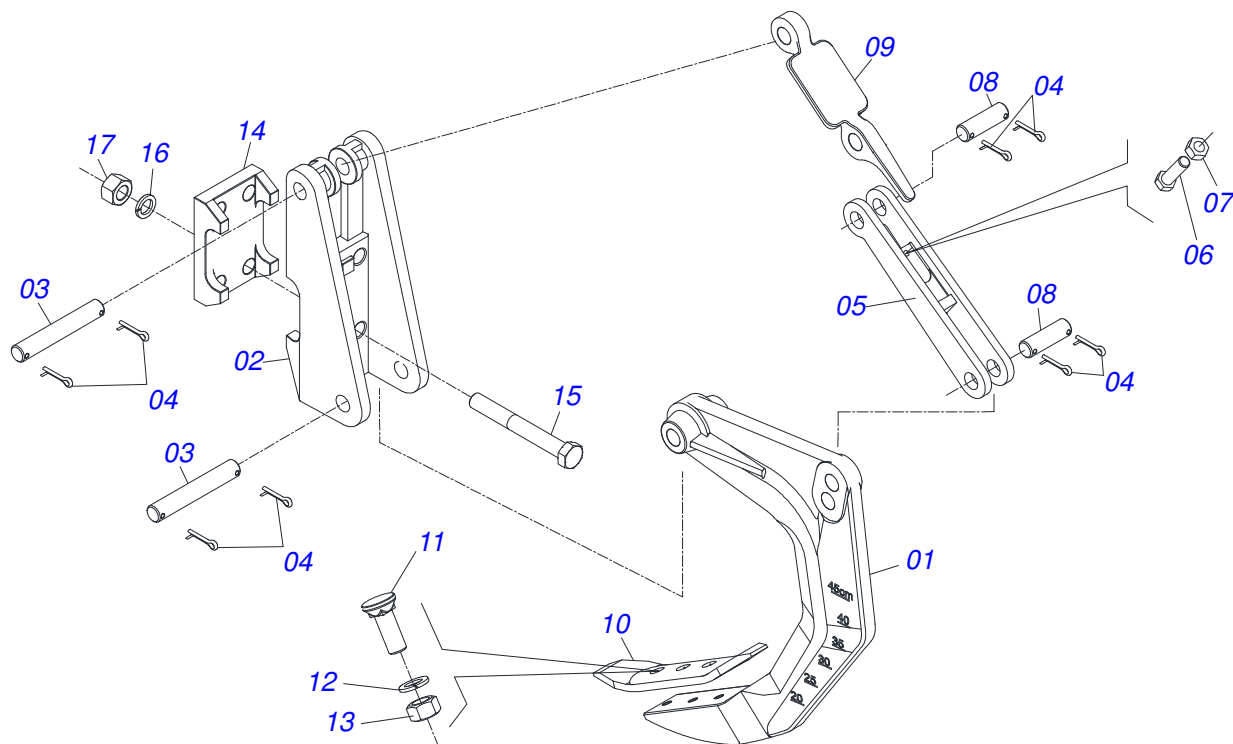


Item	Code	Description	QT
00	0501048280	24" BLADE DISC ASSY	01
01	0501069386	BLADE DISC SUPPORT	01
02	0503010478	3/4" X 3-1/2" BOLT	04
03	0503010014	3/4" NUT	08
04	0503010002	1800 GREASE FITTING	03
05	0501069639	BLADE DISC BASE SWIVEL	01
06	0521012660	WASHER	01
07	0501010098	HEX BOLT 3/4 UNC X 2 C S G.5 ZN	01
08	0503010023	SPRING WASHER	01
09	0501069640	BLADE DISC FORK	01
10	0521012662	ROTATIVE AXLE FIXER FORK BASE	01
11	0521012664	FLAT WASHER	03
12	0501010087	1.1/4" NUT	03
13	0501069638	R1" X 13.8" X 0.9" SPRING ROD	01
14	0521012659	SPRING ROD AXLE FIXER	01
15	0503010571	1/4" X 1.1/2 COTTERPIN	01
16	0503031390	2.1"X10"X1/2" COMPRESSION SPRING	01
17	0521012663	SPRING SLEEVE FIXER	01
18	0501010059	1.5/8 NUT	02
19	0501052013	24" BLADE DISC WITH HOUSING	01
19A	0603030044	24" X 0.2" FLAT PLAIN DISC	01
19B	0502011478	DISC HUB	01
19C	0503011291	6209 BALL BEARING	02
19D	0503012106	00521-BR SEAL	02
19E	0521012661	BLADE DISC AXLE HUB	01
19F	0502011477	BLADE DISC HOUSIG CP	02
19G	0503010134	3/8" X 1" BOLT	08
19H	0521011824	BLADE DISC FLANGE OUTER	01
19I	0503010905	1/2" X 2-1/4" BOLT	08
19J	0503010060	1/2" NUT	16
20	0501069637	AXLE NUT LOCK	02
21	0503010962	5/8" X 1-1/4" BOLT	02

FURROWER ARM



Item	Code	Description	QT
01	0501048283	FURROWER ARM	
01A	0501069713	FURROWER ARM	01
02	0501069714	ARM SUBSOILER WING RIGHT	01
03	0501069715	ARM SUBSOILER WING LEFT	01
04	0551011638	ADJUSTMENT BAR	02
05	0503010899	5/8" X 2-1/4" BOLT	02
06	0501013233	5/8" X 2-3/4" BOLT	01
07	0503010027	SPRING WASHER	03
08	0503010013	5/8" NUT	03
09	0541019275	RIGHT SCRAPER	01
10	0541019276	LEFT SCRAPER	01
11	0503011426	7/16" X 1-1/4" BOLT	10
12	0503010180	7/16" SPRING WASHER	10
13	0503010244	7/16" NUT	10
14	0521012821	PIVOT SHAFT	02
15	0502011165	REAR FIXER	01
16	0511015688	1.1" X 7.1" COUPLING SHAFT	02
17	0503010571	1/4" X 1.1/2" COTTERPIN	08
18	0502011164	SUPPORT SPRING	01
19	0511015689	1.1" X 3.5" COUPLING SHAFT	02
20	0521011631	AUTOMATIC RESET	01
21	0501069716	SUBSOILER TIP CUERPO	01
22	0503011236	3/8" X 2" BOLT	01
23	0503010025	3/8" SPRING WASHER	01
24	0503010026	3/8" NUT	01
25	0502011166	FRONT FIXER	01
26	0511019527	1" X 8" BOLT	04
27	0503011438	SPRING WASHER	04
28	0503010340	1" NUT	04
29	0503011173	7/16" X 2" BOLT	01
30	0503010244	7/16" NUT	01



Item	Code	Description	QT
01	0502011264	ARM AST/MATIC	01
02	0502011165	REAR FIXER	01
03	0511015688	1.1" X 7.1" COUPLING SHAFT	02
04	0503010571	1/4" X 1.1/2 COTTERPIN	08
05	0502011164	SUPPORT SPRING	01
06	0503811135	BOLT	01
07	0503010244	7/16" NUT	01
08	0511015689	1.1" X 3.5" COUPLING SHAFT	02
09	0521011631	AUTOMATIC RESET	01
10	0624010005	POINT SUBSOILER 16"X3"X1/2" E019	01
11	0503812956	BOLT	03
12	0503011440	SPRING WASHER	03
13	0503010020	1/2"NUT	03
14	0502011166	FRONT FIXER	01
15	0511019527	1" X 8" BOLT	04
16	0503011438	SPRING WASHER	04
17	0503010340	1" NUT	04



MARCHESAN IMPLEMENTOS E MÁQUINAS AGRÍCOLAS TATU S.A.

AV. Marchesan, 1979 - Post office box, 131 - CEP 15994-900 - Matão - SP - Brazil

Phone +55 16.3382-8282

(FAX Parts) + 55 16.3382. 8297 - (Export) + 55 16.3382.1003

e.mail: tatu@marchesan.com.br www.marchesan.com.br

Technical Publications: Elaboration

ALESSANDRA PATRICIA KAWAHARA CARRILI

Contact Catálogo:

E-mail = jgaspari@marchesan.com.br

**ORIGINAL PARTS
TATU**

