

PARTS CATALOG

DISK PLOW/MOLDBOARD PLOW/TERRACING PLOW

AAR2

Code: 0501091283



Series: S-0511

Rev.: 00

Date Rev.: MAIO/2011

**ORIGINAL PARTS
TATU**



PRODUCTS

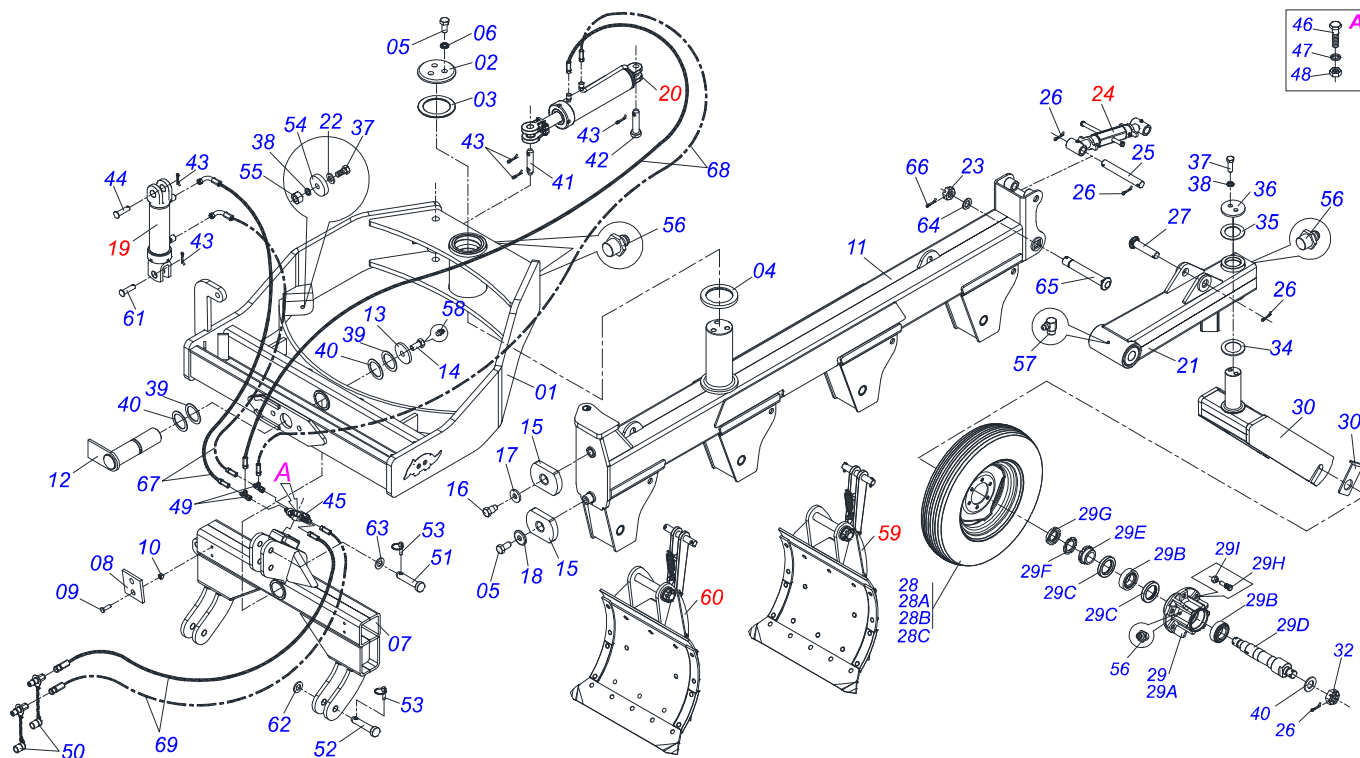
Code	Description	
0101100011	AAR2 - 3	S-0511
0101100010	AAR2 - 4	S-0511
0101100012	AAR2 - 5	S-0511

ATTENTION: **IMPORTANT**

MARCHESAN S/A RESERVES THE RIGHT AT ANY TIME TO MAKE IMPROVEMENTS IN THE DESIGN, MATERIAL OR SPECIFICATIONS OF MACHINERY, EQUIPMENT OR PARTS WITHOUT THEREBY BECOMING LIABLE TO MAKE SIMILAR CHANGES IN MACHINERY, EQUIPMENT OR PARTS PREVIOUSLY SOLD.

INDEX

0909094066	AAR2 (TWO-WAY MOLDBOARD PLOW)	1
0501047699	ESTABILIZER WITH BUSHING ASSY	2
0501052246	FRONT MOLDBOARD ASSY	3
0501052247	REAR MOLDBOARD ASSY	4
0511052997	SET DEVIATION SYSTEM ROD	5
0501044088	1.5" X 2.5" X 14 "X 5" HYDRAULIC CYLINDER	6
0501047572	HYDRAULIC CYLINDER	7
0501052245	STUB SHAFT& HUB ASSY	8



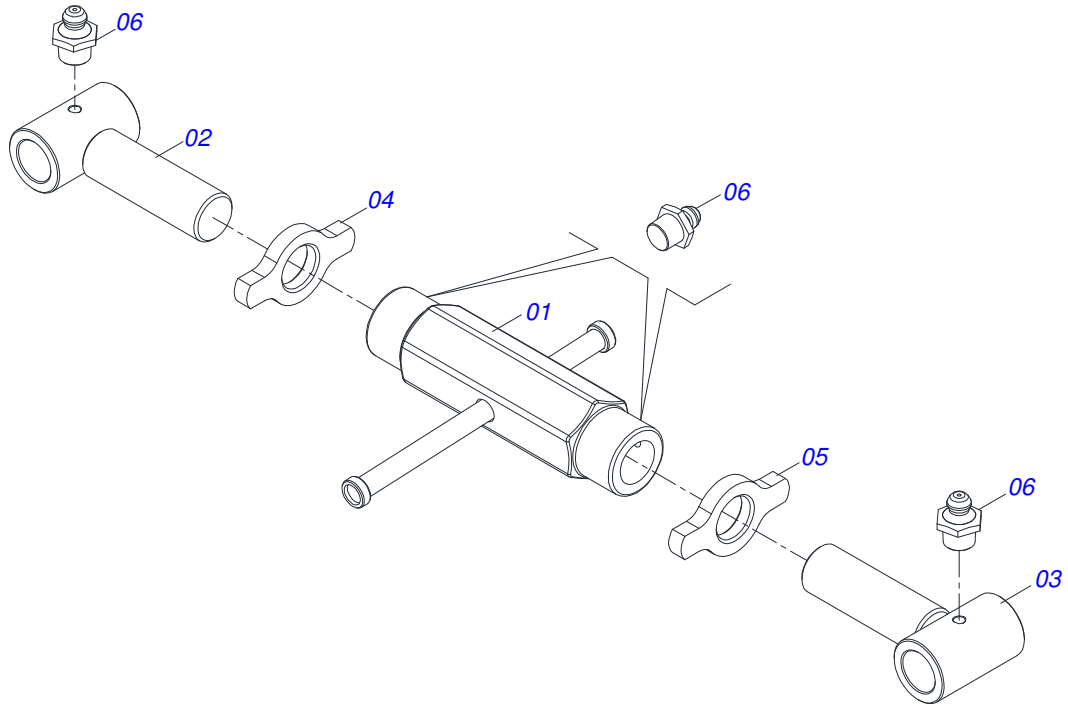
Item	Code	Description	03 04 05
01	0521062263	DRAWBAR	01 01 01
02	0521014022	UPPER FLANGE	01 01 01
03	0521014197	FLAT WASHER	01 01 01
04	0521014041	SPACING BUSHING AXLE 127,50 X 175 X 16	01 01 01
05	0503010953	1" X 2" BOLT	04 04 04
06	0503010012	1" SPRING WASHER	05 05 05
07	0521062255	OFFSET BAR	01 01 01
08	0511011591	4.0" X 4.0" PLATE	04 04 04
09	0503011199	7/16" X 1-1/2" BOLT	08 08 08
10	0503010244	7/16" NUT	08 08 08
11	0521062265	FRAME FOR MOLDBOARD	01 00 00
11.	0521062258	FRAME FOR MOLDBOARD	00 01 00
11..	0521062264	FRAME FOR MOLDBOARD	00 00 01
12	0501067264	AXLE DRAWBAR	01 01 01
13	0511013244	FLAT WASHER	01 01 01
14	0511014869	1" X 2" WITH HOLE BOLT	01 01 01
15	0561018251	REVERSIBLE GUIDE	02 02 02
16	0561018267	GUIDE FASTENER	01 01 01
17	0521015614	FLAT WASHER	01 01 01
18	0521014196	FLAT WASHER	01 01 01
19	0501044088	1.5" X 2.5" X 14 "X 5" HYDRAULIC CYLINDER	01 01 01
20	0501047572	HYDRAULIC CYLINDER	01 01 01
21	0511069625	ARM FIXER CARRYING-WHEELS	01 01 01
22	0571010265	FLAT WASHER	02 02 02
23	0501011301	1.1/2 UNC 6FPP 2.5/16 NUT	01 01 01
24	0501047699	ESTABILIZER WITH BUSHING ASSY	01 01 01
25	0521014216	COUPLING SHAFT	01 01 01
26	0503010523	1/4" X 2" COTTERPIN	06 06 06
27	0521014092	AXLE LOCK	01 01 01
28	0503060094	WHEEL AND TIRE ASSY	01 01 01
28A	0503010894	0.2"X0.6"X4.6"X6F0.6"X6" WHEEL	01 01 01
28B	0503010068	6.00 X 16 INNER TIRE	01 01 01
28C	0503010065	CANVAS TIRE	01 01 01



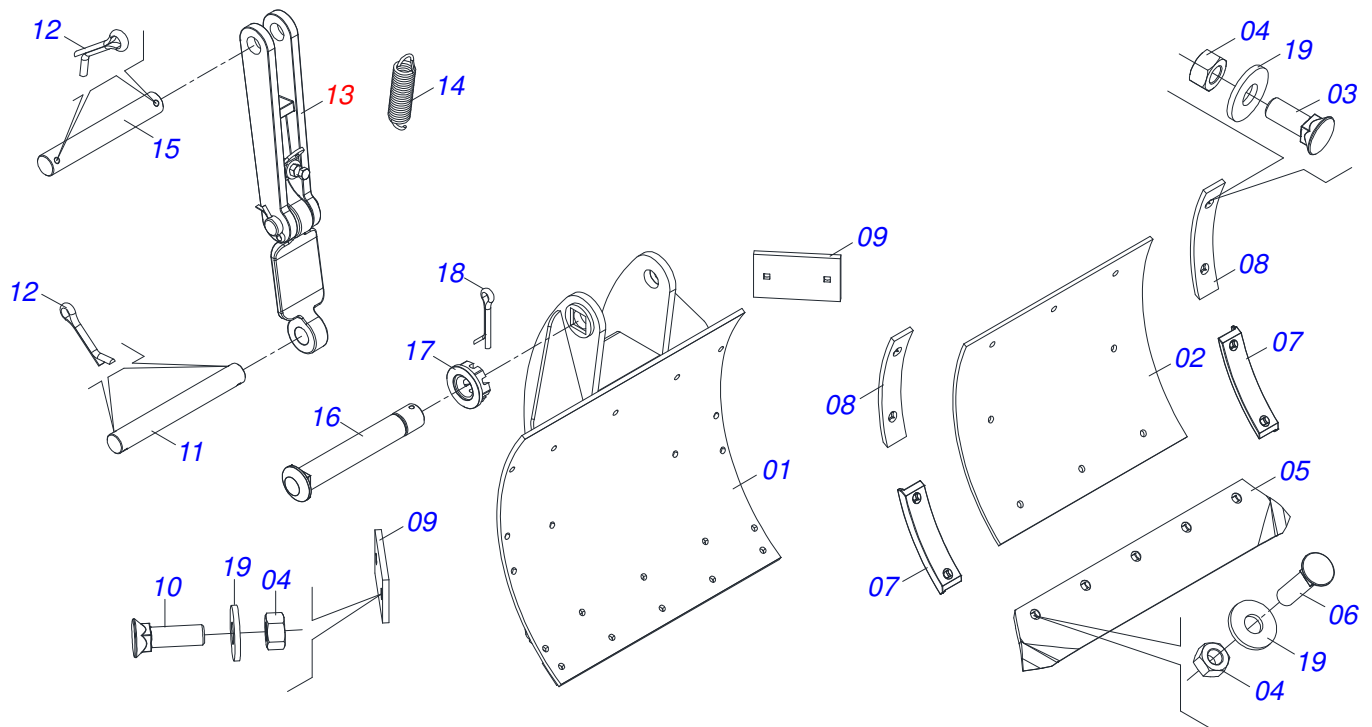
AAR2 (TWO-WAY MOLDBOARD PLOW)

0909094066

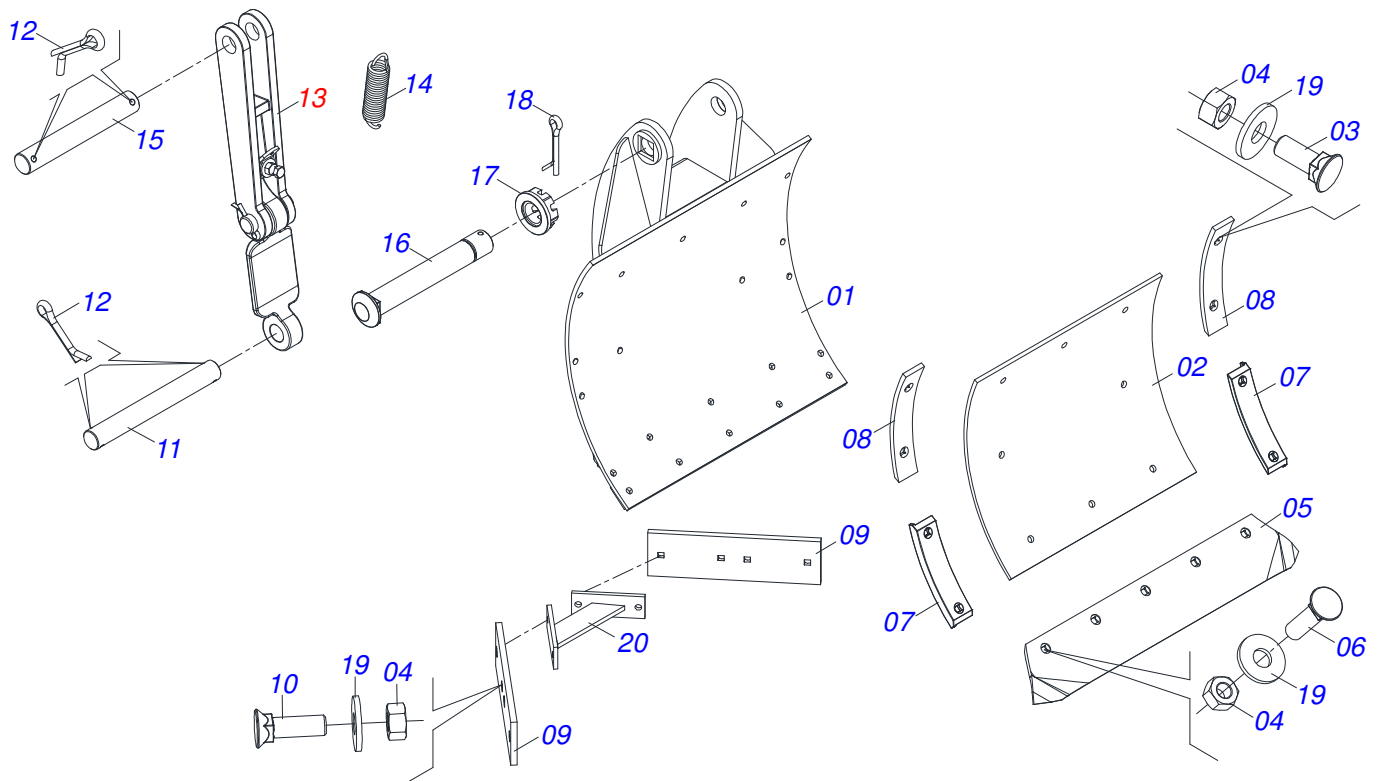
Item	Code	Description	03	04	05
29	0501052245	STUB SHAFT& HUB ASSY	01	01	01
29A	0502011120	TRANSP WHEEL HUB	01	01	01
29B	0503010328	25590/25523 ROLLER BEARING	01	01	01
29C	0503010804	00547-B SEAL	01	01	01
29D	0521014068	CARRYING WHEEL AXLE	01	01	01
29E	0511015949	LOCK NUT	01	01	01
29F	0503010329	LOCK WASHER	01	01	01
29G	0503010330	KM 9 LOCKNUT	01	01	01
29H	0501010127	9/16" X 1-7/8" LUG BOLT	06	06	06
29I	0503010035	9/16" CONIC NUT	06	06	06
30	0511060365	CARRYING WHEELS FIXER	01	01	01
31	0531015109	WHEEL AXLE LOCK	02	02	02
32	0503011052	1.1/4" X 0.77" CASTLE NUT	02	02	02
33	0501010307	FLAT WASHER	01	01	01
34	0521014023	MIDDLEMAN FLANGE	01	01	01
35	0521014024	WASHER SPACER	01	01	01
36	0521014014	REAR FIXER FLANGE	01	01	01
37	0501010100	5/8 UNC X 2 C S G.5 BOLT	04	04	04
38	0503010027	SPRING WASHER	04	04	04
39	0531015317	FLAT WASHER	02	02	02
40	0531015318	FLAT WASHER	02	02	02
41	0521010777	0.9" X 3.7" COUPLING SHAFT	01	01	01
42	0521012538	1.2" X 3.5" COUPLING SHAFT	01	01	01
43	0503010571	1/4" X 1.1/2 COTTERPIN	04	04	04
44	0521010575	C0.9" X 3.3" COUPLING SHAFT	01	01	01
45	0501044080	RETAINING VALVE	01	01	01
46	0503010421	5/16" X 1-1/2" BOLT	03	03	03
47	0503010179	SPRING WASHER	03	03	03
48	0503010337	5/16" NUT	03	03	03
49	0503011968	T ADAPTOR WITH GIRAT	02	02	02
50	0503011627	QUICK CONNECTION (MALE) AGR 1/2 NPT	02	02	02
51	0521010498	0.9" X 5.1" COUPLING SHAFT	01	01	01
52	0521010629	1.1" X 5.1" COUPLING SHAFT	02	02	02
53	0503030430	7/16 X 2" PIN LOCK	03	03	03
54	0521011481	BEATER FRAME	02	02	02
55	0503010013	5/8" NUT	02	02	02
56	0503010002	1800 GREASE FITTING	03	03	03
57	0503010004	1890 GREASE FITTING	01	01	01
58	0503010691	1/4" GREASE FITTING	01	01	01
59	0501052247	REAR MOLDBOARD ASSY	01	01	01
60	0501052246	FRONT MOLDBOARD ASSY	02	03	04
61	0521010572	0.9" X 2.9" COUPLING SHAFT	01	01	01
62	0511017480	FLAT WASHER	02	02	02
63	0511015994	FLAT WASHER	01	01	01
64	0501012916	FLAT WASHER 38,50 X 66 X 4,75 ZN	01	01	01
65	0561018588	COUPLING SHAFT	01	01	01
66	0503010010	1/4" X 2.1/2" COTTERPIN	01	01	01
67	0501080406	3/8" X 23" TR-TC HOSE ASSY	02	02	02
68	0501080439	3/8" X 43" TR-TR HOSE ASSY	02	02	02
69	0501080440	3/8" X 53" TR-TM HOSE ASSY	02	02	02



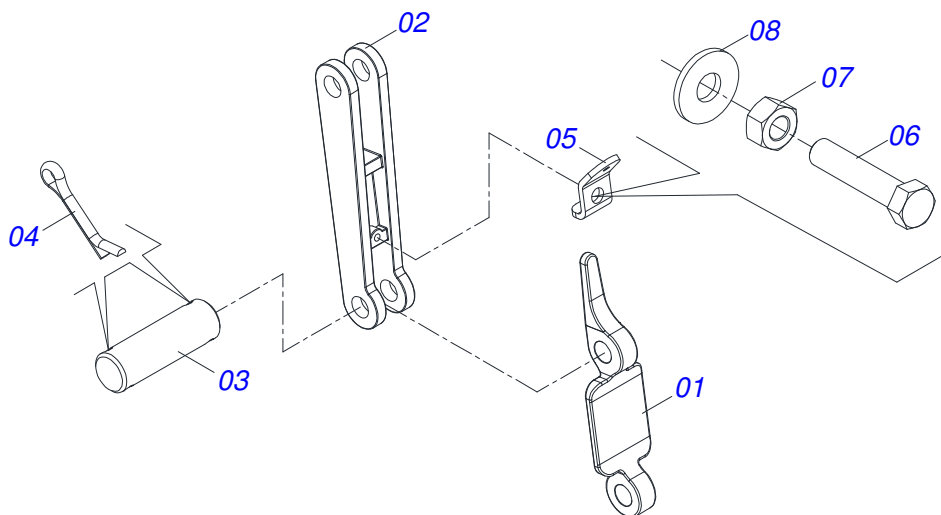
Item	Code	Description	QT
01	0501110262	245 ADJUSTMENT NUT	01
02	0501064001	RIGHT JACK CRANK	01
03	0501064002	LEFT JACK CRANK	01
04	0541018672	COUNTERNUT	01
05	0541018673	COUNTERNUT	01
06	0503010002	1800 GREASE FITTING	04



Item	Code	Description	QT
01	0511060400	MOLDBOARD (AARP)	01
02	0511011127	PLASTIC LINING	01
03	0503011426	7/16" X 1-1/4" BOLT	16
04	0503010244	7/16" NUT	25
05	0622380002	SHEAR POINT	01
06	0503010773	7/16" X 1-3/4" BOLT	05
07	0502070060	LOWER BAR STOP MOLDBOARD	02
08	0511011126	UPPER BAR STOP MOLDBOARD	02
09	0511011175	SMALLER MOLDBOARD GUIDES	02
10	0503011199	7/16" X 1-1/2" BOLT	04
11	0521014037	1.1" X 8.4" COUPLING SHAFT	01
12	0503010571	1/4" X 1.1/2" COTTERPIN	04
13	0511052997	SET DEVIATION SYSTEM ROD	01
14	0503031515	1.2" X 5.1" X 0.2" EXTENSION SPRING	01
15	0521014038	1.1" X 7.6" COUPLING SHAFT	01
16	0561018588	COUPLING SHAFT	01
17	0501011301	1.1/2 UNC 6FPP 2.5/16 NUT	01
18	0503010010	1/4" X 2.1/2" COTTERPIN	01
19	0501012803	FLAT WASHER	25

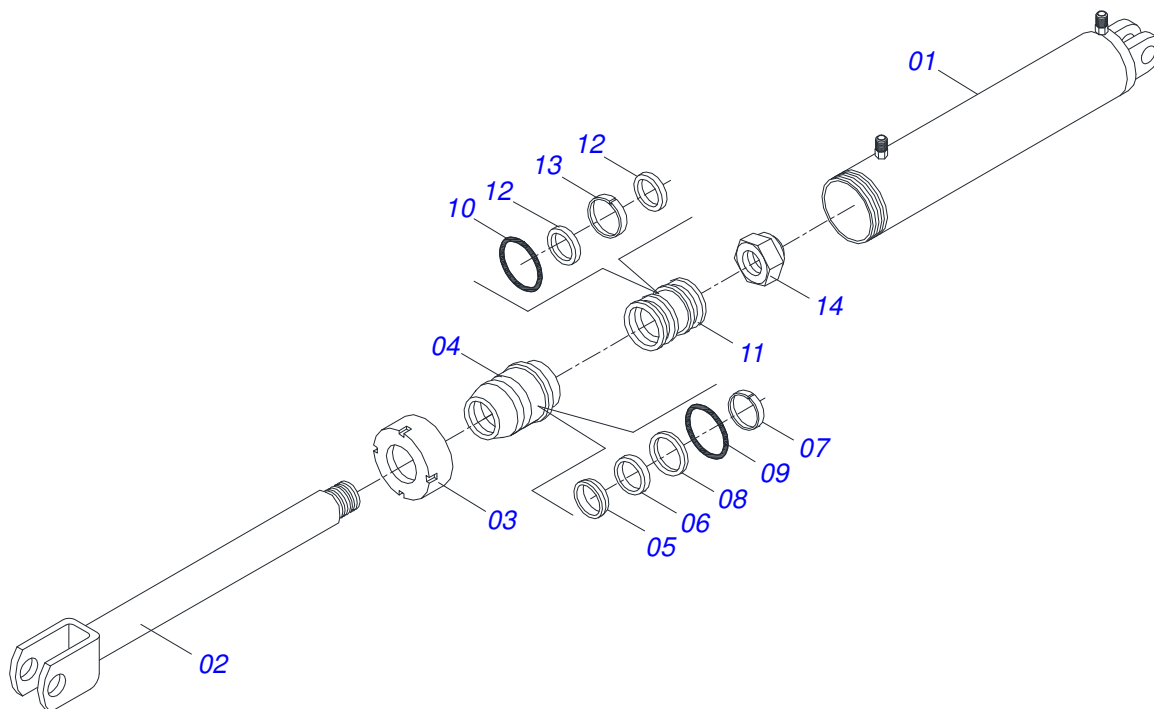


Item	Code	Description	QT
01	0511060400	MOLDBOARD (AARP)	01
02	0511011127	PLASTIC LINING	01
03	0503011426	7/16" X 1-1/4" BOLT	16
04	0503010244	7/16" NUT	29
05	0622380002	SHEAR POINT	01
06	0503010773	7/16" X 1-3/4" BOLT	05
07	0502070060	LOWER BAR STOP MOLDBOARD	02
08	0511011126	UPPER BAR STOP MOLDBOARD	02
09	0511011801	LARGER MOLDBOARD GUIDES	02
10	0503011199	7/16" X 1-1/2" BOLT	08
11	0521014037	1.1" X 8.4" COUPLING SHAFT	01
12	0503010571	1/4" X 1.1/2" COTTERPIN	04
13	0511052997	SET DEVIATION SYSTEM ROD	01
14	0503031515	1.2" X 5.1" X 0.2" EXTENSION SPRING	01
15	0521014038	1.1" X 7.6" COUPLING SHAFT	01
16	0561018588	COUPLING SHAFT	01
17	0501011301	1.1/2 UNC 6FPP 2.5/16 NUT	01
18	0503010010	1/4" X 2.1/2" COTTERPIN	01
19	0501012803	FLAT WASHER	31
20	0501065737	REAR SUPPORT GUIDE	01

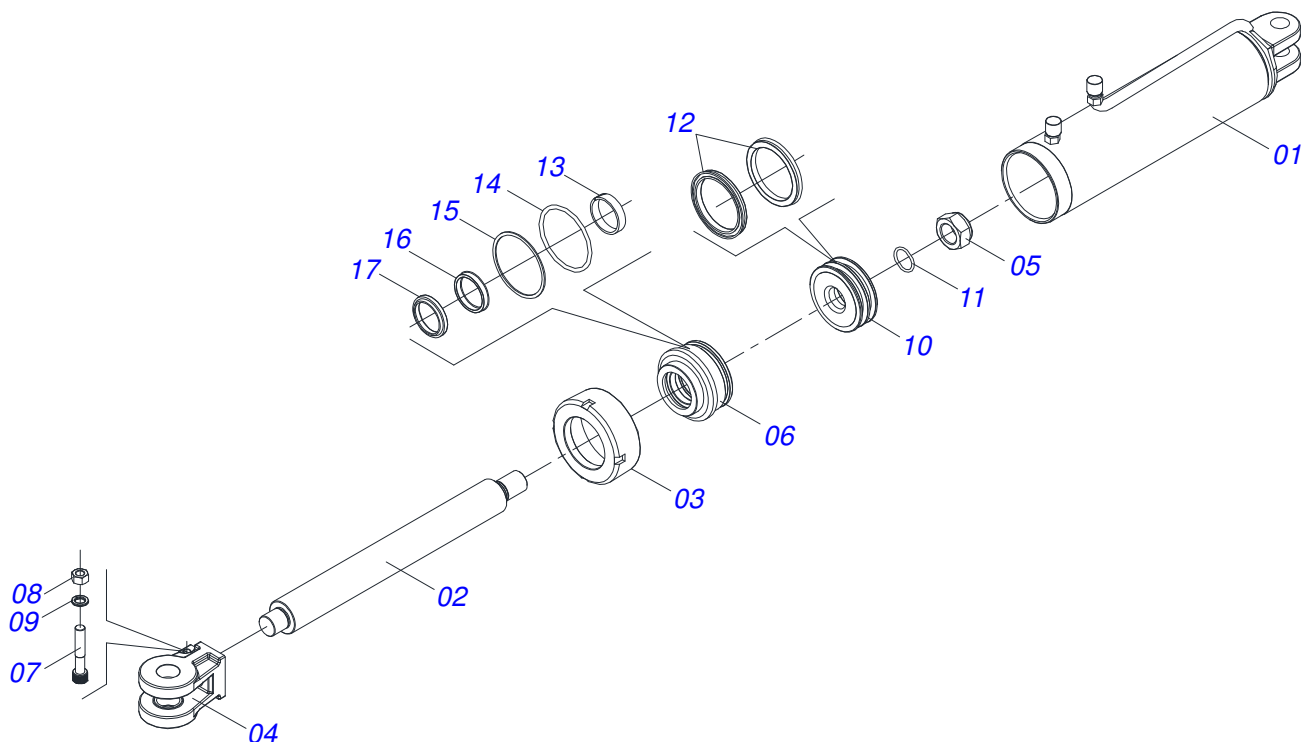


Item	Code	Description	QT
001	0521011631	AUTOMATIC RESET	01
002	0502011164	SUPPORT SPRING	01
003	0511015689	1.1" X 3.5" COUPLING SHAFT	01
004	0503010571	1/4" X 1.1/2" COTTERPIN	02
005	0521014033	LOWER SPRING FIXER	01
006	0503012555	7/16" X 2" BOLT	01
007	0503010244	7/16" NUT	01
008	0501012803	FLAT WASHER	01

1.5" X 2.5" X 14 "X 5" HYDRAULIC CYLINDER

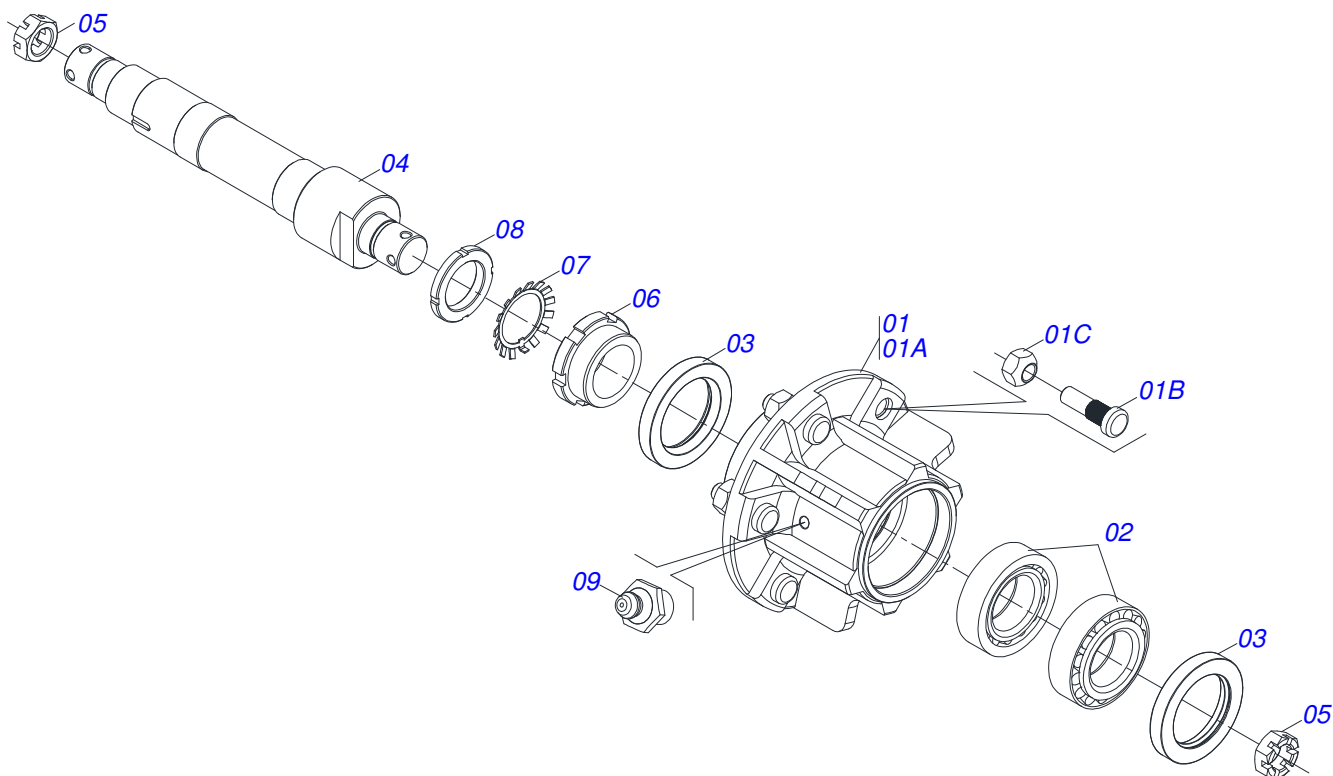


Item	Code	Description	QT
01	0501065906	2.5" X 5" CYLINDER CASE	01
02	0501069047	HYDRAULIC CYLINDER TURNBUCKLE	01
03	0502010471	MOBILE COVER	01
04	0502010780	RING SUPPORT	01
05	0503010163	D-1500 SCRAPER RING	01
06	0503010989	1870-1500-375-B GASKET	01
07	0503010970	W1-1650-500 PK O'RING G.E	01
08	0503011058	8-330 BACK-UP RING	01
09	0503010161	2-330 N 3006 9B O'RING	01
10	0503010285	2-222 N 3006-9B O'RING	01
11	0502010783	1.5" X 2.5" PISTON	01
12	0503010160	2500 2000 GASKET	02
13	0503010973	W2-2500-500 PK O'RING G.E	01
14	0503010063	1" SELF-ALIGNING NUT	01
15	0501032666	HYDRAULIC CYLINDER REPAIR KIT	01



Item	Code	Description	QT
01	0501068739	63,50 X 487 CYLINDER CASE	01
02	0521010035	ROD	01
03	0502010017	4" HEAD	01
04	0502040747	FORK	01
05	0503010044	1-1/4" SELF-ADJUSTING NUT	01
06	0502010778	2" X 4.2" RING SUPPORT	01
07	0503011094	3/8" X 2" BOLT C C S I 12.9	01
08	0503010026	3/8" NUT	01
09	0503010025	3/8 SPRING WASHER	01
10	0502010682	2"X4" PISTON	01
11	0503010345	2-218 N 3006-9B O'RING	01
12	0503010043	PACKING 3750-3250	02
13	0503010952	W2-2250-500 PK RING G.E	01
14	0503010338	2-342 N 3006-9B O'RING	01
15	0503011061	8-342 BACK-UP RING	01
16	0503010991	PACKING 1870-2000-375-B	01
17	0503010039	D-2000 SCRAPER RING	01

STUB SHAFT & HUB ASSY



Item	Code	Description	QT
01	0501110733	WHEEL HUB	01
01A	0502011120	TRANSP WHEEL HUB	01
01B	0501010127	9/16" X 1-7/8" LUG BOLT	06
01C	0503010035	9/16" CONIC NUT	06
02	0503010328	25590/25523 ROLLER BEARING	02
03	0503010804	00547-B SEAL	02
04	0521014068	CARRYING WHEEL AXLE	01
05	0503011052	1.1/4" X 0.77" CASTLE NUT	02
06	0511015949	LOCK NUT	01
07	0503010329	LOCK WASHER	01
08	0503010330	KM 9 LOCKNUT	01
09	0503010002	1800 GREASE FITTING	01



MARCHESAN IMPLEMENTOS E MÁQUINAS AGRÍCOLAS TATU S.A.

AV. Marchesan, 1979 - Post office box, 131 - CEP 15994-900 - Matão - SP - Brazil

Phone +55 16.3382-8282

(FAX Parts) + 55 16.3382. 8297 - (Export) + 55 16.3382.1003

e.mail: tatu@marchesan.com.br www.marchesan.com.br

Technical Publications: Elaboration

JOSÉ DOMINGOS GASPARI

Technical Publications: Revision

MARINA PEREZ NIZA

Contact Catálogo:

E-mail = jgaspari@marchesan.com.br

**ORIGINAL PARTS
TATU**

