

PARTS CATALOG

DISK PLOW/MOLDBOARD PLOW/TERRACING PLOW

TSTA

Code: 0501091280



Series: S-0893

Rev.: 00

Date Rev.: FEVEREIRO/2008

**ORIGINAL PARTS
TATU**



PRODUCTS

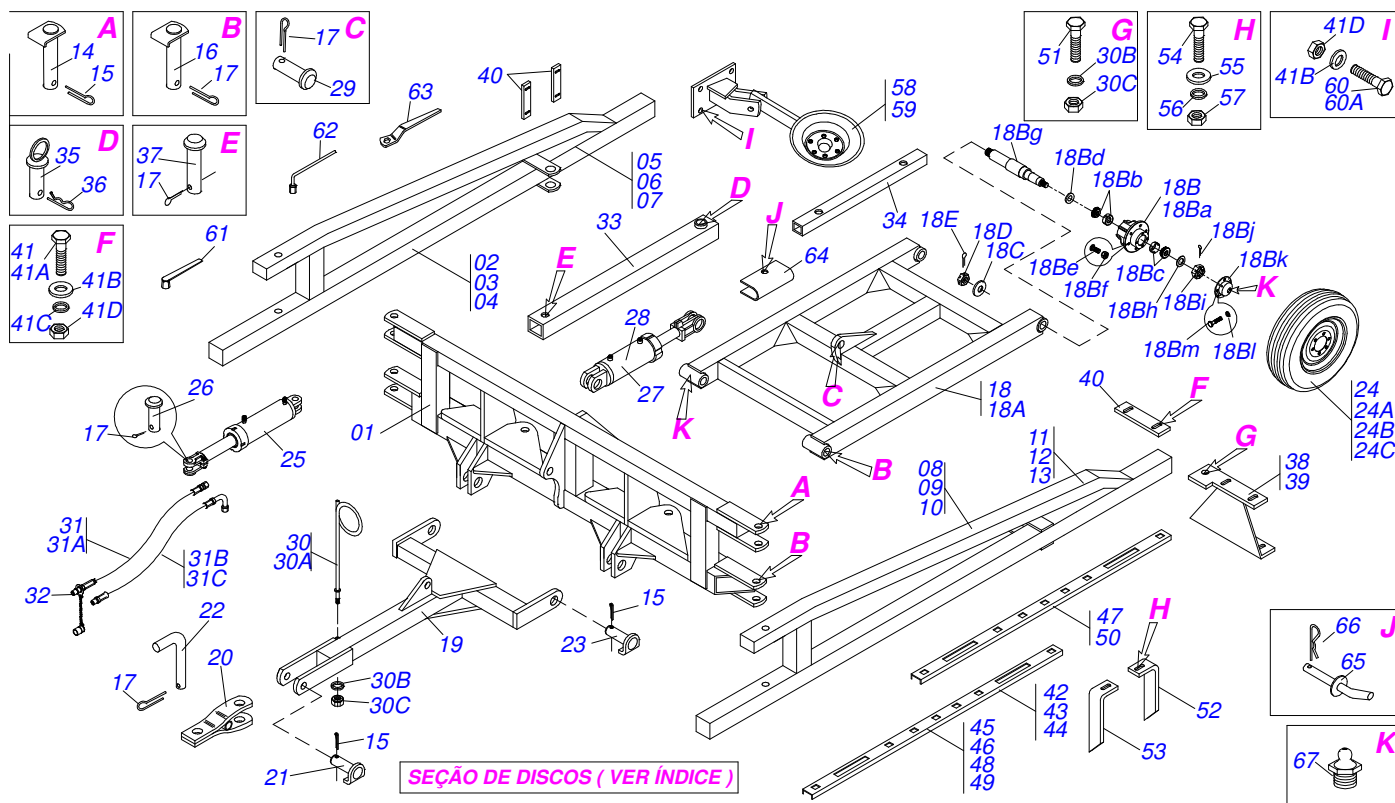
Code	Description
0101090069	TSTA 14 X 26"X6,00 DM C/6 MANC S893
0101090073	TSTA 16 X 26"X6,00 DM 4EIXOS S-0893
0101090067	TSTA 20 X 28" X 6,00 CM S-0893
0101090066	TSTA 20 X 28" X 6,00 DM S-0893

ATTENTION: **IMPORTANT**

MARCHESAN S/A RESERVES THE RIGHT AT ANY TIME TO MAKE IMPROVEMENTS IN THE DESIGN, MATERIAL OR SPECIFICATIONS OF MACHINERY, EQUIPMENT OR PARTS WITHOUT THEREBY BECOMING LIABLE TO MAKE SIMILAR CHANGES IN MACHINERY, EQUIPMENT OR PARTS PREVIOUSLY SOLD.

INDEX

0909090450	LEVEE TERRACING PLOW (TSTA)	1
0909090451	FURROW WHEEL	2
0909090452	GANG DISC	3
0909090453	AGRICULTURAL BEARING	4
0909090454	225 X 1.5/8" OIL BATH BEARING	5
0501042908	1.7" X 3.4" X 20" X 8" HYDRAULIC CYLINDER	6
0501048420	HYDRAULIC CYLINDER	7
0501048421	2.0" X 5" X 20" X 7.9" HYDRAULIC CYLINDER	8



Item	Code	Description	14	16	18	20	22	24
01	0501065593	FRONT FRAME	01	01	01	01	01	01
02	0501066498	RIGHT SIDE FRAME	01	00	00	00	00	00
03	0501066500	RIGHT SIDE FRAME	00	01	00	00	00	00
04	0501066502	RIGHT SIDE FRAME	00	00	01	00	00	00
05	0501066504	RIGHTSIDE FRAME	00	00	00	01	00	00
06	0501066506	RIGHT SIDE FRAME	00	00	00	00	01	00
07	0501069719	RIGHT SIDE FRAME	00	00	00	00	00	01
08	0501066499	LEFT SIDE FRAME	01	00	00	00	00	00
09	0501066501	LEFT SIDE FRAME	00	01	00	00	00	00
10	0501066503	LEFT SIDE FRAME	00	00	01	00	00	00
11	0501066505	LEFT SIDE FRAME	00	00	00	01	00	00
12	0501066507	LEFT SIDE FRAME	00	00	00	00	01	00
13	0501069720	LEFT SIDE FRAME	00	00	00	00	00	01
14	0501064138	1.4" X 4.7" COUPLING SHAFT	02	02	02	02	02	02
15	0503010534	3/8 X 2-1/2 COTTERPIN	11	11	11	11	11	11
16	0501011315	0.98" X 4.92" PIN	02	02	02	02	02	02
17	0503010571	1/4" X 1.1/2 COTTERPIN	07	07	07	07	07	07
18	0501047893	WHEEL SUPPORT ASSY	01	01	01	01	01	01
18A	0501064165	WHEEL SUPPORT	01	01	01	01	01	01
18B	0501051634	TSTUB SHAFT & HUB ASSY	02	02	02	02	02	02
18Ba	0502011121	CARRYING WHEEL HUB	02	02	02	02	02	02
18Bb	0503010006	32210 ROLLER BEARING	02	02	02	02	02	02
18Bc	0503010037	30207 ROLLER BEARING	02	02	02	02	02	02
18Bd	0503012928	SEAL	02	02	02	02	02	02
18Be	0501010127	9/16" X 1-7/8" LUG BOLT	12	12	12	12	12	12
18Bf	0503010035	9/16" CONIC NUT	12	12	12	12	12	12
18Bg	0521010821	2.5" X 16.5" AXLE	02	02	02	02	02	02
18Bh	0501016545	FLAT WASHER	02	02	02	02	02	02
18Bi	0503030009	1" CASTLE NUT	02	02	02	02	02	02
18Bj	0503010018	5/32 X 1-1/2 COTTERPIN	02	02	02	02	02	02
18Bk	0502020591	PROTECCION COVER	02	02	02	02	02	02
18Bl	0503011444	SPRING WASHER	08	08	08	08	08	08
18Bm	0503010178	5/16" X 7/8" BOLT	08	08	08	08	08	08



LEVEE TERRACING PLOW (TSTA)

0909090450

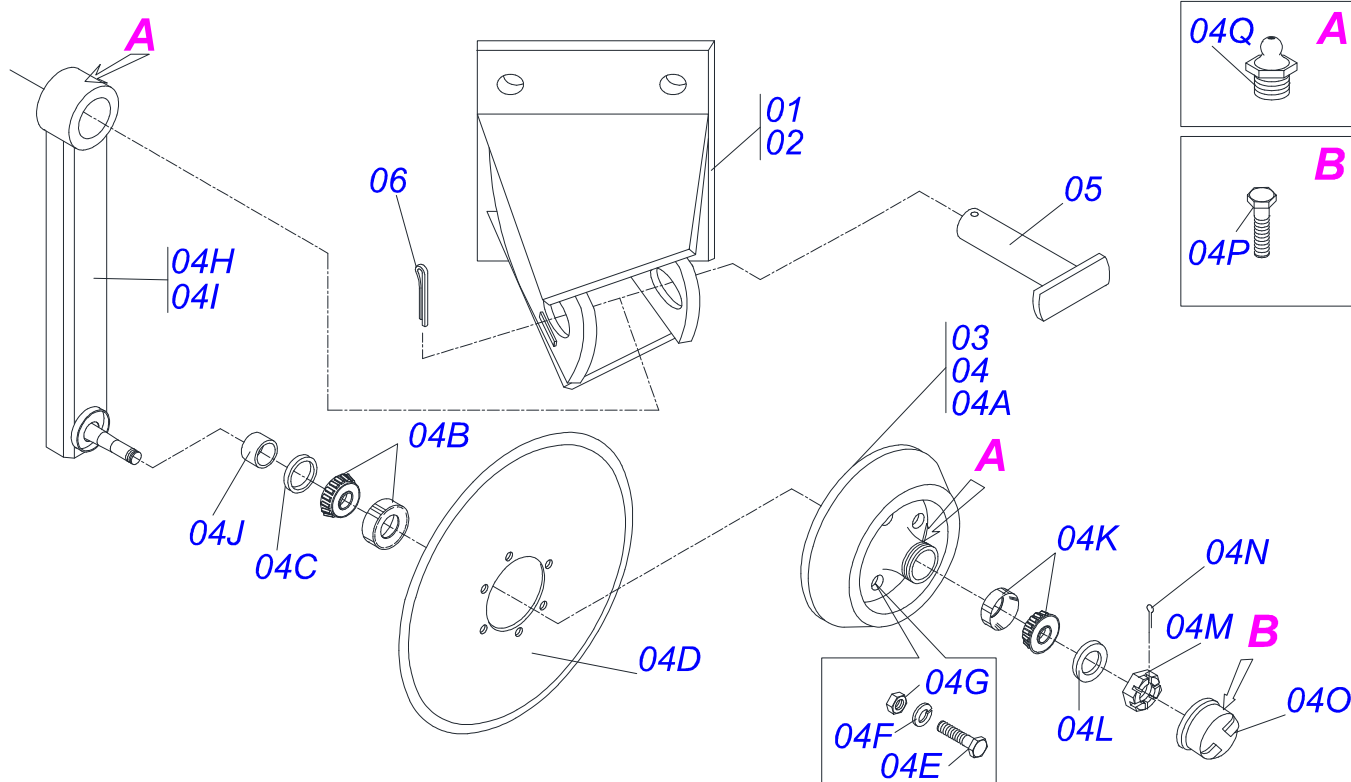
Item	Code	Description	14	16	18	20	22	24
18C	0501010115	FLAT WASHER	02	02	02	02	02	02
18D	0501011301	1.1/2 UNC 6FPP 2.5/16 NUT	02	02	02	02	02	02
18E	0503010010	1/4" X 2.1/2" COTTERPIN	02	02	02	02	02	02
19	0501064288	DRAWBAR	01	01	01	01	01	01
20	0501064172	TRACTOR HITCH	01	01	01	01	01	01
21	0501064139	1.4" X 6.35" COUPLING SHAFT	01	01	01	01	01	01
22	0501010523	DRAWBOLT	01	01	01	01	01	01
23	0501064137	1.4" X 4.13" COUPLING SHAFT	02	02	02	02	02	02
24	0503060091	L29.5"X0.63"-10L WHEEL AND	02	02	02	02	02	02
24A	0503010893	WHEEL	01	01	01	01	01	01
24B	0503010033	7.50 X 16 INNER TIRE	01	01	01	01	01	01
24C	0503010120	CANVAS TIRE	01	01	01	01	01	01
25	0501042908	1.7" X 3.4" X 20" X 8" HYDRAULIC CYLINDER	01	01	01	01	01	01
26	0521010576	0.9" X 3.7" COUPLING SHAFT	02	02	02	02	02	02
27	0501048420	HYDRAULIC CYLINDER	01	01	00	00	00	00
28	0501048421	2.0" X 5" X 20" X 7.9" HYDRAULIC CYLINDER	00	00	01	01	01	01
29	0521012538	1.2" X 3.5" COUPLING SHAFT	02	02	02	02	02	02
30	0501040257	3/4 X 1200 HOSE HOLDER A	01	01	01	01	01	01
30A	0501013935	HOSE HOLDER	01	01	01	01	01	01
30B	0503010023	SPRING WASHER	05	05	07	09	09	09
30C	0503010014	3/4" NUT	05	05	07	09	09	09
31	0501051039	HOSE ASSY	01	01	01	01	01	01
31A	0501080384	TR-TM HOSE ASSY	02	02	02	02	02	02
31B	0501080365	3/8" X 137" HOSE	01	01	01	01	01	01
31C	0501080385	3/8" X 149" TC-TM HOSE ASSY	01	01	01	01	01	01
32	0501053834	MALE QUICK COUPLING AGRICULTURAL WITH	04	04	04	04	04	04
33	0501069011	BODY TAB REGULATOR	02	02	02	02	02	02
34	0521010429	OFFSET BAR ARM	02	02	02	02	02	02
35	0501064199	OFFSET BAR LOCK PIN	02	02	02	02	02	02
36	0503031035	HAIR PIN	02	02	02	02	02	02
37	0521010579	COUPLING SHAFT	02	02	02	02	02	02
38	0501066459	RH BRACKET	02	02	03	04	04	04
39	0501066460	LH BRACKET	02	02	03	04	04	04
40	0501013907	FIXER PLATE	02	02	03	04	04	04
41	0501040733	1" X 8" ASSY BOLT	08	08	12	16	16	16
41A	0501014172	1" X 8" BOLT	08	08	12	16	16	16
41B	0501010118	FLAT WASHER	16	16	20	24	24	24
41C	0503010012	1" SPRING WASHER	16	16	20	24	24	24
41D	0501010059	1.5/8 NUT	16	16	20	24	24	24
42	0511014061	90" BAR FIXER SCRAPER	02	00	00	00	00	00
43	0521012576	2285 BAR FIX SCRAPER	02	00	00	00	00	00
44	0511014062	106" BAR FIXER SCRAPER	00	02	00	00	00	00
45	0521012744	105" BAR FIXER SCRAPER	00	02	00	00	00	00
46	0511014063	121" BAR FIXER SCRAPER	00	00	02	00	00	00
47	0511014059	REAR BAR FIXER SCRAPER	00	00	00	02	02	00
48	0511014060	BAR FIXER SCRAPER	00	00	00	02	00	00
49	0511014058	FRONT BAR FIXER SCRAPER	00	00	00	00	02	02
50	0521012173	REAR BAR FIXER SCRAPER	00	00	00	00	00	02
51	0501010827	3/4" X 2-3/4" BOLT	04	04	06	08	08	08
52	0501018409	FRONT SCRAPER BODY	10	12	13	14	16	18
53	0501018410	REAR SCRAPER BODY	10	12	13	14	16	18
54	0503011082	C1/2" X 1.3/4" BOLT	20	24	26	28	32	36
55	0511017302	FLAT WASHER	20	24	26	28	32	36
56	0503010019	1/2" SPRING WASHER	20	24	26	28	32	36
57	0503010020	1/2"NUT	20	24	26	28	32	36
58	0501050447	RH FURROW WHEEL ASSY	01	01	01	01	01	01
59	0501050448	LH FURROW WHEEL ASSY	01	01	01	01	01	01
60	0501041894	1" X 7" ASSY BOLT	08	08	08	08	08	08
60A	0501010334	1" X 7" BOLT	08	08	08	08	08	08
61	0501061617	1" GANG BOLT WRENCH	01	01	01	01	01	01
62	0501061609	3/4" WRENCH CABLE CYLINDRICAL	01	01	01	01	01	01
63	0501011431	1-3/4" GANG BOLT WRENCH	01	01	01	01	01	01



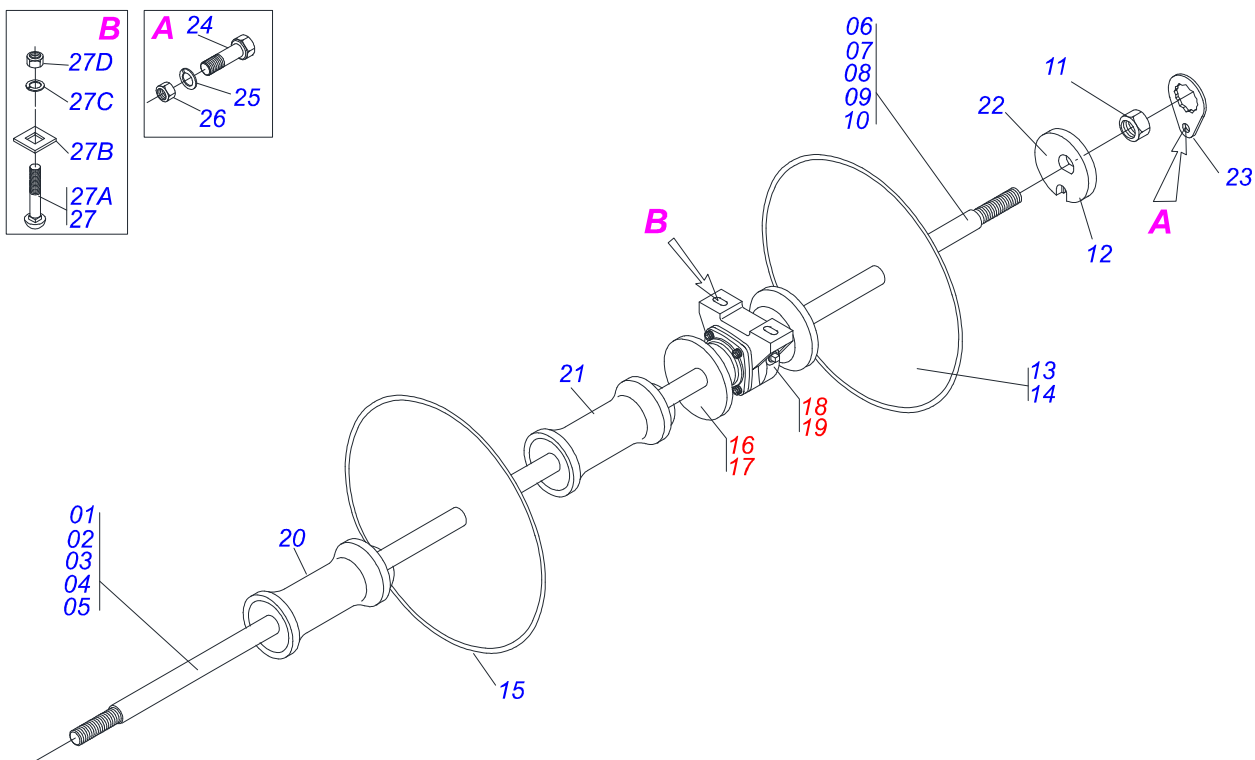
LEVEE TERRACING PLOW (TSTA)

0909090450

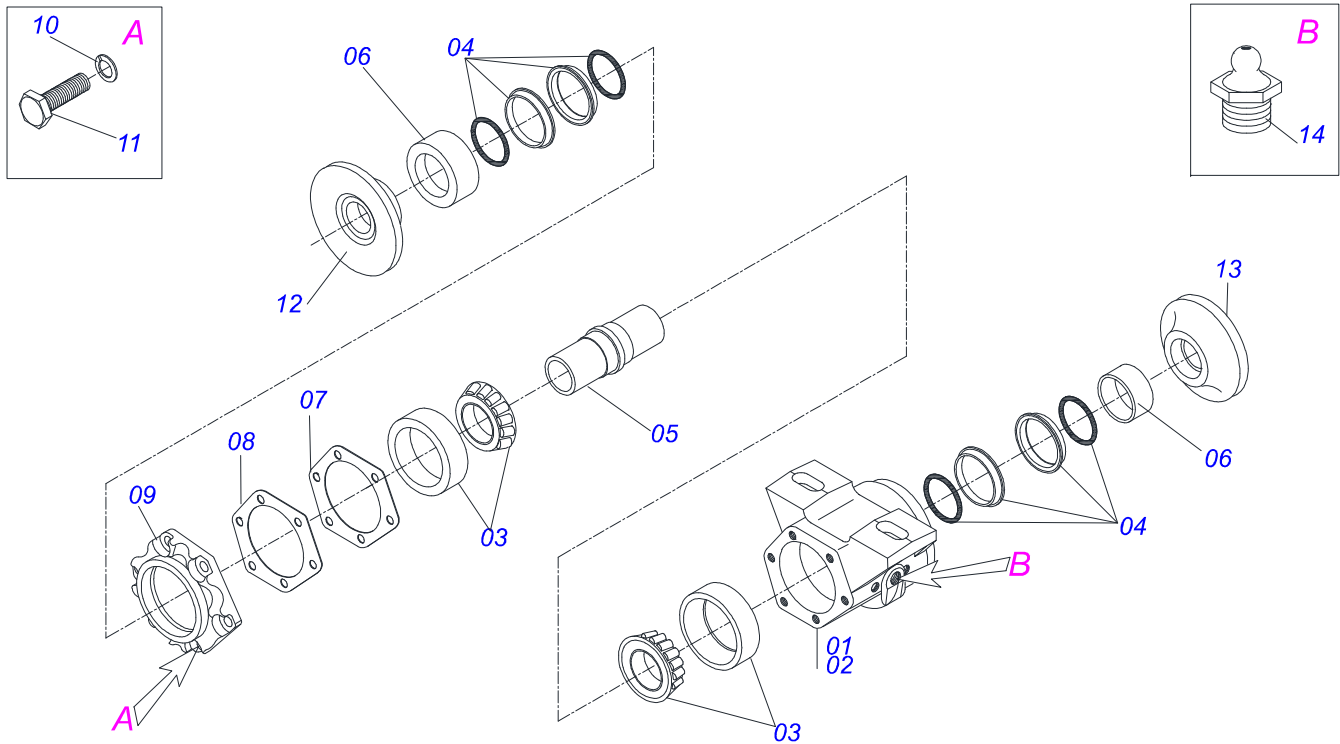
Item	Code	Description	14	16	18	20	22	24
64	0511010839	TRANSPORT LOCK 7.9" X 2.1" X 0.4"	01	01	01	01	01	01
65	0501068994	0.3" X 3.1"LOCK PIN	01	01	01	01	01	01
66	0503030168	HAIR PIN	01	01	01	01	01	01
67	0503010002	1800 GREASE FITTING	02	02	02	02	02	02



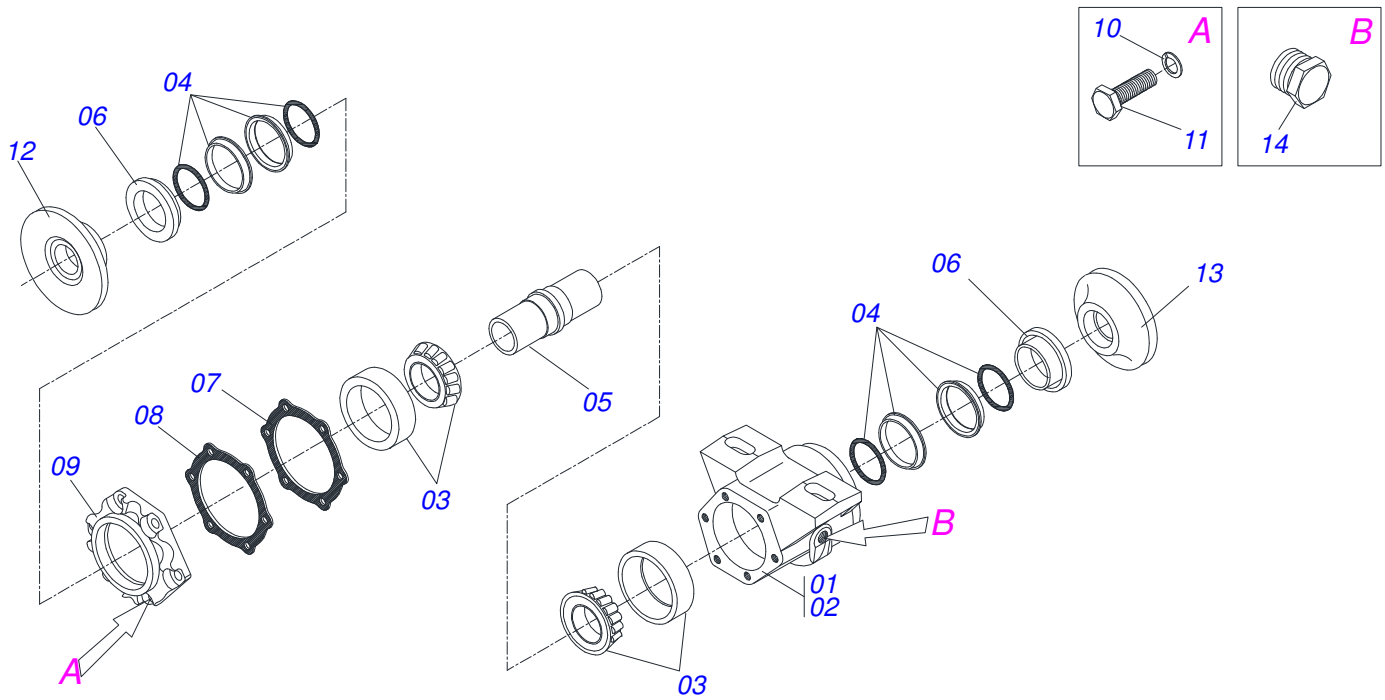
Item	Code	Description	14	16	18	20	22	24
01	0501065583	FURROW WHEEL RIGHT SUPPORT	01	01	01	01	01	01
02	0501065584	FURROW WHEEL LEFT SUPPORT	01	01	01	01	01	01
03	0501050447	RH FURROW WHEEL ASSY	01	01	01	01	01	01
04	0501050448	LH FURROW WHEEL ASSY	01	01	01	01	01	01
04A	0502020405	FURROW WHEEL HUB	02	02	02	02	02	02
04B	0503010102	25577/25523 ROLLER BEARING	02	02	02	02	02	02
04C	0503010804	00547-B SEAL	02	02	02	02	02	02
04D	0603027001	20"x 0.2" PLAIN COULTER BLADE	02	02	02	02	02	02
04E	0503011082	C1/2" X 1.3/4" BOLT	12	12	12	12	12	12
04F	0503010019	1/2" SPRING WASHER	12	12	12	12	12	12
04G	0503010060	1/2" NUT	12	12	12	12	12	12
04H	0501065586	RH ARM	01	01	01	01	01	01
04I	0501065585	LH ARM	01	01	01	01	01	01
04J	0501015722	SPACING BUSHING	02	02	02	02	02	02
04K	0503010745	BEARING 25877/25821	02	02	02	02	02	02
04L	0501010065	1" SPRING WASHER	02	02	02	02	02	02
04M	0503030009	1" CASTLE NUT	02	02	02	02	02	02
04N	0503010018	5/32 X 1-1/2 COTTERPIN	02	02	02	02	02	02
04O	0502020008	COVER AF	02	02	02	02	02	02
04P	0503010011	5/16" X 1/2" BOLT	02	02	02	02	02	02
04Q	0503010002	1800 GREASE FITTING	04	04	04	04	04	04
05	0521010643	1.5" X 7.6" COUPLING SHAFT	02	02	02	02	02	02
06	0503010534	3/8 X 2-1/2 COTTERPIN	02	02	02	02	02	02



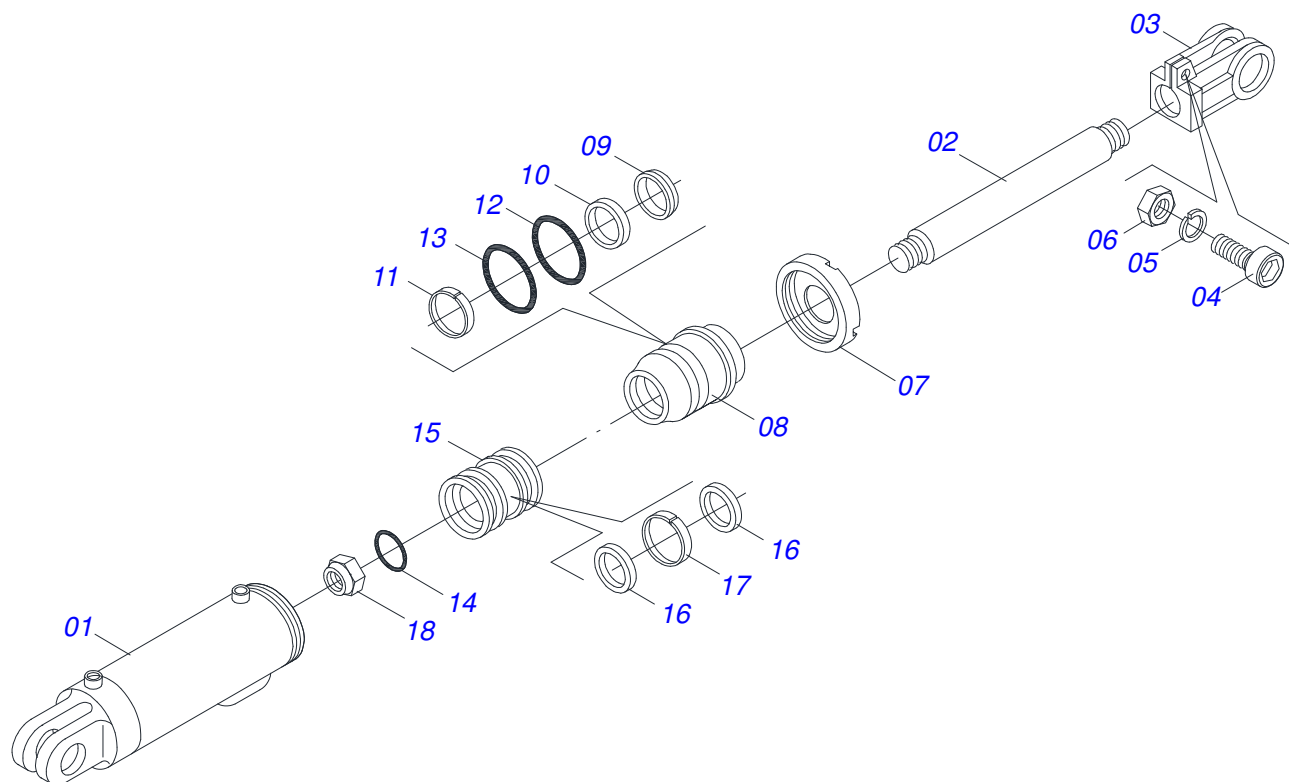
Item	Code	Description	14	16	18	20	22	24
01	0501046863	1-5/8" X 99" AXLE	02	00	00	00	00	00
02	0501046865	1-5/8" X 115" AXLE	00	02	00	00	00	00
03	0501046866	1-5/8" X 130" AXLE	00	00	02	00	00	00
04	0501046858	1-5/8" X 68.11" AXLE	00	00	00	04	00	00
05	0501046862	1-5/8" X 83.86" AXLE	00	00	00	00	02	04
06	0501019023	1-5/8" X 99.6" AXLE	02	00	00	00	00	00
07	0501019024	1-5/8" X 115.3" AXLE	00	02	00	00	00	00
08	0501019022	1-5/8" X 130.3" AXLE	00	00	02	00	00	00
09	0501019021	1-5/8" X 68.11" AXLE	00	00	00	04	00	00
10	0501019025	1-5/8" X 88.86" AXLE	00	00	00	00	02	04
11	0502040640	1.5/8" 2.3/4" NUT	04	04	04	08	08	08
12	0502011048	1-5/8" EXTERNAL AXLE WASHER	02	02	02	04	04	04
13	0601033005	26" X 0.2" PLAIN DISC BLADE	12	14	16	18	20	22
14	0601030005	24" X 0.2" PLAIN DISC BLADE	02	02	02	02	02	02
15	0602037004	28" X 0.2" NOTCHED DISC BLADE	00	00	00	18	00	00
16	0501043085	CM GX 8.86" 1-1/8" BEARING ASSY	02	02	03	04	04	04
17	0501043086	CM GX 8.86" 1-5/8" BEARING ASSY	02	02	03	04	04	04
18	0501043197	8.86" X 1-5/8" OIL BATH BEARING	02	02	03	04	04	04
19	0501043198	8.86" X 1-5/8" OIL BATH BEARING	02	02	03	04	04	04
20	0502010701	SPACER	04	04	06	08	08	08
21	0502010702	SPACER	08	10	10	08	10	10
22	0502011047	1-5/8" INNER AXLE WASHER	02	02	02	04	04	04
23	0511014339	1-5/8" 2.8" NUT LOCK	04	04	04	08	08	08
24	0503011267	5/8" X 1.1/2" BOLT	04	04	04	08	08	08
25	0503010027	SPRING WASHER	04	04	04	08	08	08
26	0503010013	5/8" NUT	04	04	04	08	08	08
27	0511040034	3/4" X 3-1/4" BOLT ASSY	08	08	12	16	16	16
27A	0501017303	3/4" X 3-1/4" BOLT	08	08	12	16	16	16
27B	0501010949	3/4" SQUARE WASHER	08	08	12	16	16	16
27C	0501010322	FLAT WASHER	08	08	12	16	16	16
27D	0503010014	3/4" NUT	16	16	24	32	32	32



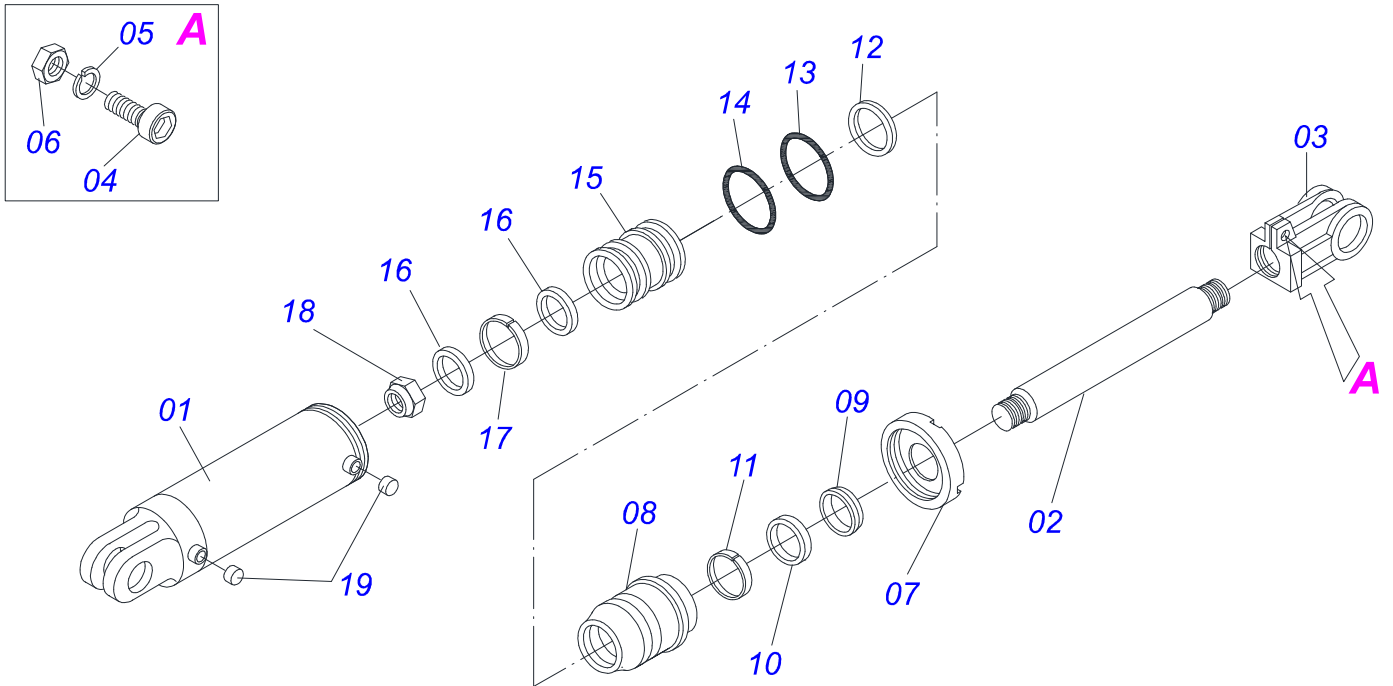
Item	Code	Description	QT
00	0501043085	CM GX 8.86" 1-1/8" BEARING ASSY	01
00A	0501043086	CM GX 8.86" 1-5/8" BEARING ASSY	01
01	0502020479	BEARING HOUSING, FG	01
02	0502020480	BEARING HOUSING, RG	01
03	0503010005	32212 ROLLER BEARING	02
04	0503010087	02017-GB GREASE SEAL	02
05	0502010899	AXLE CM/DM	01
06	0501010986	SPACER	01
07	0503030685	5.5" X 4.4" X 0.003" GASKET	01
08	0503030030	5.6" X 4.4" X 0.01" GASKET	03
09	0502020523	BEARING CAP	01
10	0503011443	SPRING WASHER	06
11	0503011087	3/8" X 1" BOLT	06
12	0502040239	OUTER FLANGE	01
13	0502040240	INNER FLANGE	01
14	0503010002	1800 GREASE FITTING	01



Item	Code	Description	QT
00	0501043197	8.86" X 1-5/8" OIL BATH BEARING	01
00A	0501043198	8.86" X 1-5/8" OIL BATH BEARING	01
01	0502020481	HOUSING DM	01
02	0502020482	HOUSING DM	01
03	0503010005	32212 ROLLER BEARING	02
04	0503030027	DUO-CONE SEAL	02
05	0502010899	AXLE CM/DM	01
06	0502040287	SEAL RETAINER	02
07	0503030685	5.5" X 4.4" X 0.003" GASKET	01
08	0503030030	5.6" X 4.4" X 0.01" GASKET	02
09	0502020161	WEAR PLATE BEARING	01
10	0503011443	SPRING WASHER	06
11	0503011087	3/8" X 1" BOLT	06
12	0502040239	OUTER FLANGE	01
13	0502040240	INNER FLANGE	01
14	0503010856	OIL PLUG	01



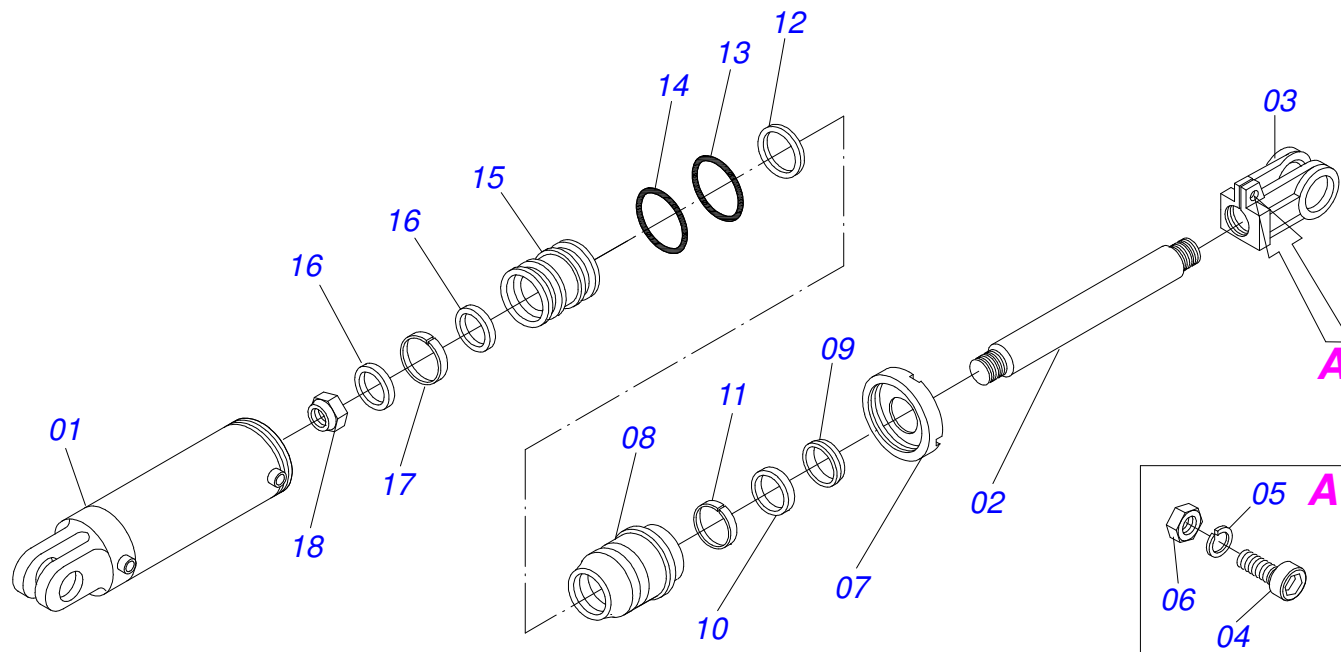
Item	Code	Description	
01	0501064255	2.4" X 8" CYLINDER CASE	01
02	0501018532	1.7" X 15.6" TURNBUCLE	01
03	0502040493	CLEVIS 26,50 R41	01
04	0503011094	3/8" X 2" BOLT C C S I 12.9	01
05	0503010025	3/8 SPRING WASHER	01
06	0503010026	3/8" NUT	01
07	0502010993	DETACHABLE COVER	01
08	0502010781	RING SUPPORT	01
09	0503010761	D-1750 SCRAPER RING	01
10	0503010990	GASKET	01
11	0503010949	W2-2000-500 PK RING G.E	01
12	0503011060	8-336 BACK-UP RING	01
13	0503010976	2-336 N 3006-9B O'RING	01
14	0503010042	2-214 N 3006-9B O'RING	01
15	0502010843	1.8" X 3.4" PISTON	01
16	0503010170	PACKING 3120 2750	02
17	0503010948	W4-3346-590 PK RING G.E	01
18	0503010063	1" SELF-ALIGNING NUT	01
19	0501031796	HYDRAULIC CYLINDER REPAIR KIT	



Item	Code	Description	QT
01	0501069906	4" X 16" CYLINDER CASE	01
02	0521010422	HYDRAULIC CYLINDER TURNBUCKLE	01
03	0502040747	FORK	01
04	0503011094	3/8" X 2" BOLT C C S I 12.9	01
05	0503010025	3/8 SPRING WASHER	01
06	0503010026	3/8" NUT	01
07	0502010017	4" HEAD	01
08	0502010778	2" X 4.2" RING SUPPORT	01
09	0503010039	D-2000 SCRAPER RING	01
10	0503010991	PACKING 1870-2000-375-B	01
11	0503010952	W2-2250-500 PK RING G.E	01
12	0503011061	8-342 BACK-UP RING	01
13	0503010338	2-342 N 3006-9B O'RING	01
14	0503010345	2-218 N 3006-9B O'RING	01
15	0502010992	2.0" X 4.0" PISTON	01
16	0503010043	PACKING 3750-3250	02
17	0503010994	W2-4000-500 PK RING G.E	01
18	0503010817	1-1/4" SELF-ADJUSTING NUT	01
19	0503030385	PLUG	02

2.0" X 5" X 20" X 7.9" HYDRAULIC CYLINDER

0501048421



Item	Code	Description	QT
00	0501048421	2.0" X 5" X 20" X 7.9" HYDRAULIC CYLINDER	01
01	0501069909	5" X 12.9" CYLINDER CASE	01
02	0521017401	2" X 13.3" EXTENDING BODY	01
03	0502040747	FORK	01
04	0503011094	3/8" X 2" BOLT C C S I 12.9	01
05	0503010025	3/8 SPRING WASHER	01
06	0503010026	3/8" NUT	01
07	0502010382	5" HEAD	01
08	0502011000	2" X 5" RING SUPPORT	01
09	0503010039	D-2000 SCRAPER RING	01
10	0503010991	PACKING 1870-2000-375-B	01
11	0503010952	W2-2250-500 PK RING G.E	01
12	0503011062	8-425 BACK-UP RING	01
13	0503010351	2-425 N 3006-9B O'RING	01
14	0503010345	2-218 N 3006-9B O'RING	01
15	0502010963	2.0" X 5.0" PISTON	01
16	0503010552	PACKING 3750-4250-625-B	02
17	0503010974	W2-5000-500 PK RING G.E	01
18	0503010817	1-1/4" SELF-ADJUSTING NUT	01
19	0501031961	HYDRAULIC CYLINDER REPAIR KIT	



MARCHESAN IMPLEMENTOS E MÁQUINAS AGRÍCOLAS TATU S.A.

AV. Marchesan, 1979 - Post office box, 131 - CEP 15994-900 - Matão - SP - Brazil

Phone +55 16.3382-8282

(FAX Parts) + 55 16.3382. 8297 - (Export) + 55 16.3382.1003

e.mail: tatu@marchesan.com.br www.marchesan.com.br

Technical Publications: Elaboration

JOÃO VIRGINIO ROCHA

Technical Publications: Revision

MARINA PEREZ NIZA

Contact Catálogo:

E-mail = jgaspari@marchesan.com.br

**ORIGINAL PARTS
TATU**

