

AUXILIARY PRODUCTS

GAT 1000

Code: 0501091275
Series: S-0881
Revision: 00
Date Revision: ABRIL/2016

PARTS CATALOGUE



MARCHESAN



PRODUCTS

Code	Description	
0407010001	GAT 1000	S-0881

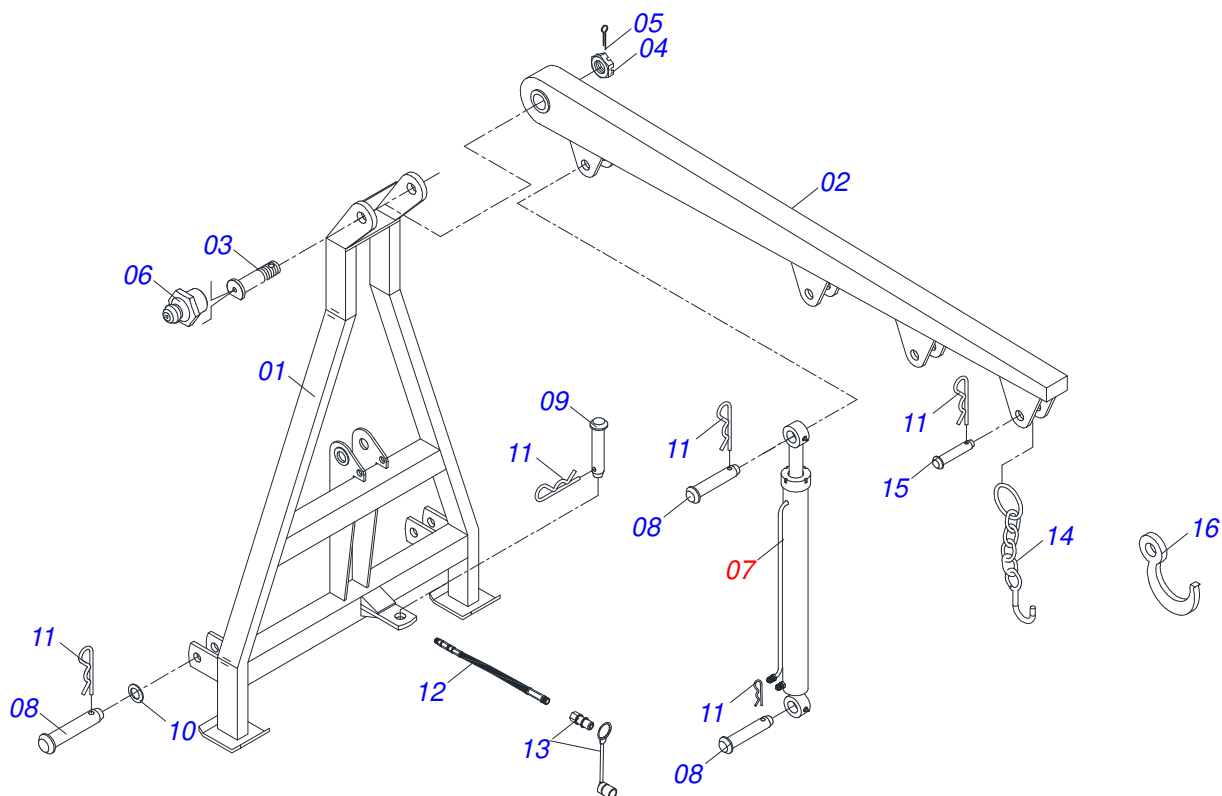
ATTENTION: IMPORTANT

Marchesan S.A. reserves the right to improve and/or modify the technical features of its products, without obligation to do the same with those products already sold and without prior knowledge of the dealer or the customer. The photos are only illustrative.

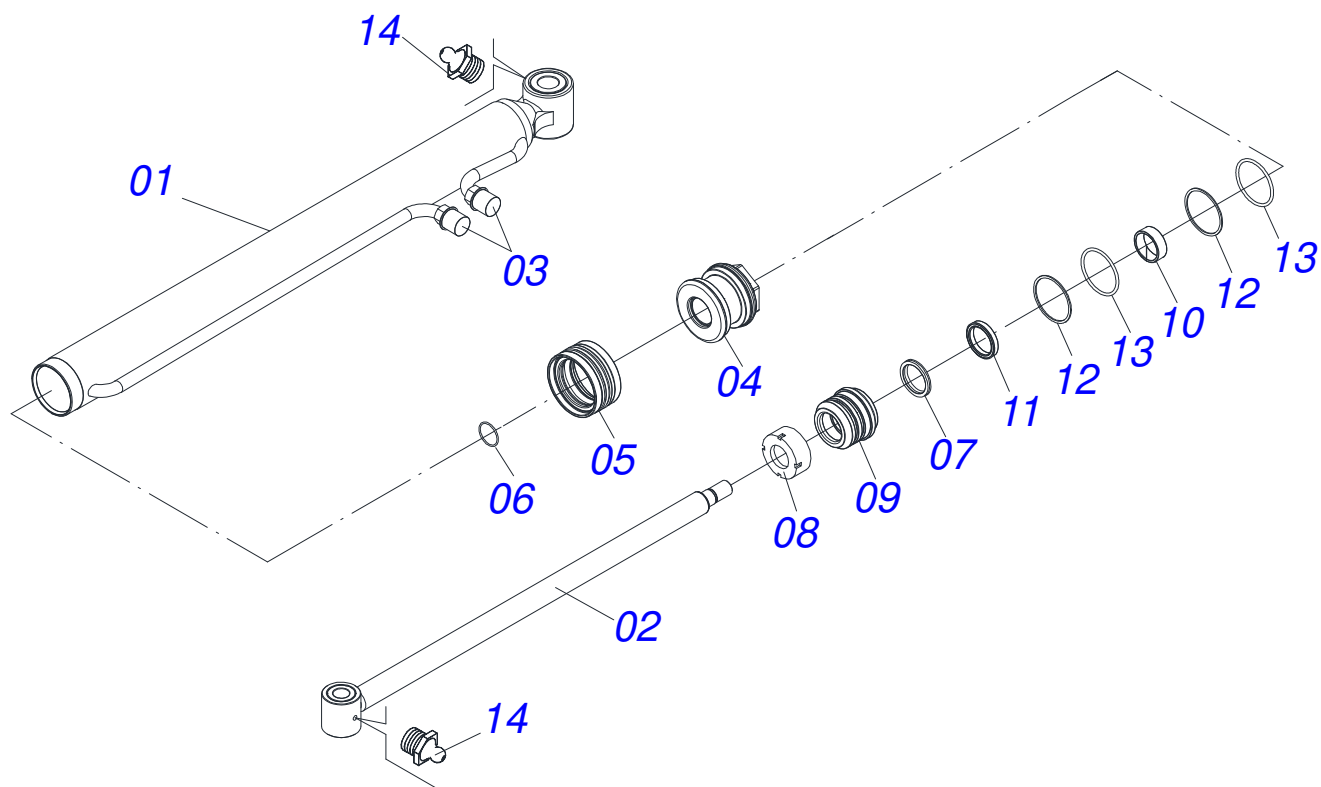


INDEX

0909090372	HOIST MOUNTED TYPE 1000	1
0511058432	HYDRAULIC CYLINDER 38,1 X 63,5 X 950 X 708	2



Item	Code	Description	See page	QT
01	0501061062	FRAME GAT 1000		01
02	0501061063	MOBILE FRAME GAT 1000		01
03	0501010664	1.5" X 10.8" COUPLING SHAFT		01
04	0501011301	1.1/2 UNC 6FPP 2.5/16 NUT		01
05	0503010010	1/4" X 2.1/2" COTTERPIN		01
06	0503010002	1800 GREASE FITTING		01
07	0511058432	HYDRAULIC CYLINDER 38,1 X 63,5 X 950 X 708	2	01
08	0521012533	COUPLING SHAFT		04
09	0521010585	0.9" X 5.9" COUPLING SHAFT		01
10	0501010065	1" SPRING WASHER		04
11	0503031035	HITCH PIN CLIP		05
12	0501080071	1/2" X 53" TR-TM HOSE ASSY		02
13	0501053834	MALE QUICK COUPLER		02
14	0501061070	CHAIN 5/16" X 29" LINK WITH HOOK		01
15	0521010580	COUPLING SHAFT		01
16	0501013277	HOOK		01



Item	Code	Description	See page	QT
001	0501062078	2.5" X 28" CYLINDER CASE		01
002	0521066633	TURNBUCLE BODY		01
003	0503030387	PLUG		02
004	0502012837	PISTON		01
005	0503018005	RING		01
006	0503011109	2-119 N 3006-9B O'RING		01
007	0503010163	D-1500 SCRAPER RING		01
008	0502010471	63,50 MOBILE CAP		01
009	0581010668	RING SUPPORT		01
010	0503018004	RING		01
011	0503018003	GASKET		01
012	0503018163	BACK-UP RING		02
013	0503018162	O'RING		02
014	0503010002	1800 GREASE FITTING		02



ANNOTATION



MARCHESAN





MARCHESAN

Technical Publications | Elaboration and Revision
JOÃO VIRGINIO ROCHA

www.marchesan.com.br

